



US00D519812S

(12) **United States Design Patent**  
**Weinberg et al.**

(10) **Patent No.:** **US D519,812 S**  
(45) **Date of Patent:** **\*\* May 2, 2006**

(54) **CLAMP-TYPE HAND TOOL**

FOREIGN PATENT DOCUMENTS

(75) Inventors: **Andreas Weinberg**, Filderstadt (DE);  
**Martin Ruf**, Filderstadt (DE)

DE	297 18 160	1/1998
DE	297 13 482	2/1998
DE	196 49 714	6/1998
FR	1 505 462	10/1966

(73) Assignee: **Bessey & Sohn GmbH & Co. KG**,  
Bietigheim-Bissingen (DE)

OTHER PUBLICATIONS

(\*\*) Term: **14 Years**

Koller, R., et al., "Ein Weg zu einer systematischen Kon-  
struktion und Ordnung von Schnappverbindungen", Kon-  
struktion 39 (1987) H.8, pp. 315-320.

(21) Appl. No.: **29/222,373**

\* cited by examiner

(22) Filed: **Jan. 28, 2005**

(30) **Foreign Application Priority Data**

Sep. 29, 2004 (EM) ..... 000234125

*Primary Examiner*—Louis S. Zarfes

*Assistant Examiner*—John Windmuller

(74) *Attorney, Agent, or Firm*—Lipsitz & McAllister, LLC

(51) **LOC (8) Cl.** ..... **08-05**

(57) **CLAIM**

(52) **U.S. Cl.** ..... **D8/72**

The ornamental design for clamp-type hand tool, as shown  
and described.

(58) **Field of Classification Search** ..... D8/71-74,  
D8/52, 54; 81/320, 325, 328, 300, 302, 314,  
81/323, 324, 418, 421, 338, 392; 269/6

**DESCRIPTION**

See application file for complete search history.

FIG. 1 is a front right perspective view of a clamp-type hand  
tool showing our new design;

FIG. 2 is a front elevational view thereof;

FIG. 3 is a top plan view thereof;

FIG. 4 is a right side elevational view thereof;

FIG. 5 is a left side elevational view thereof; and,

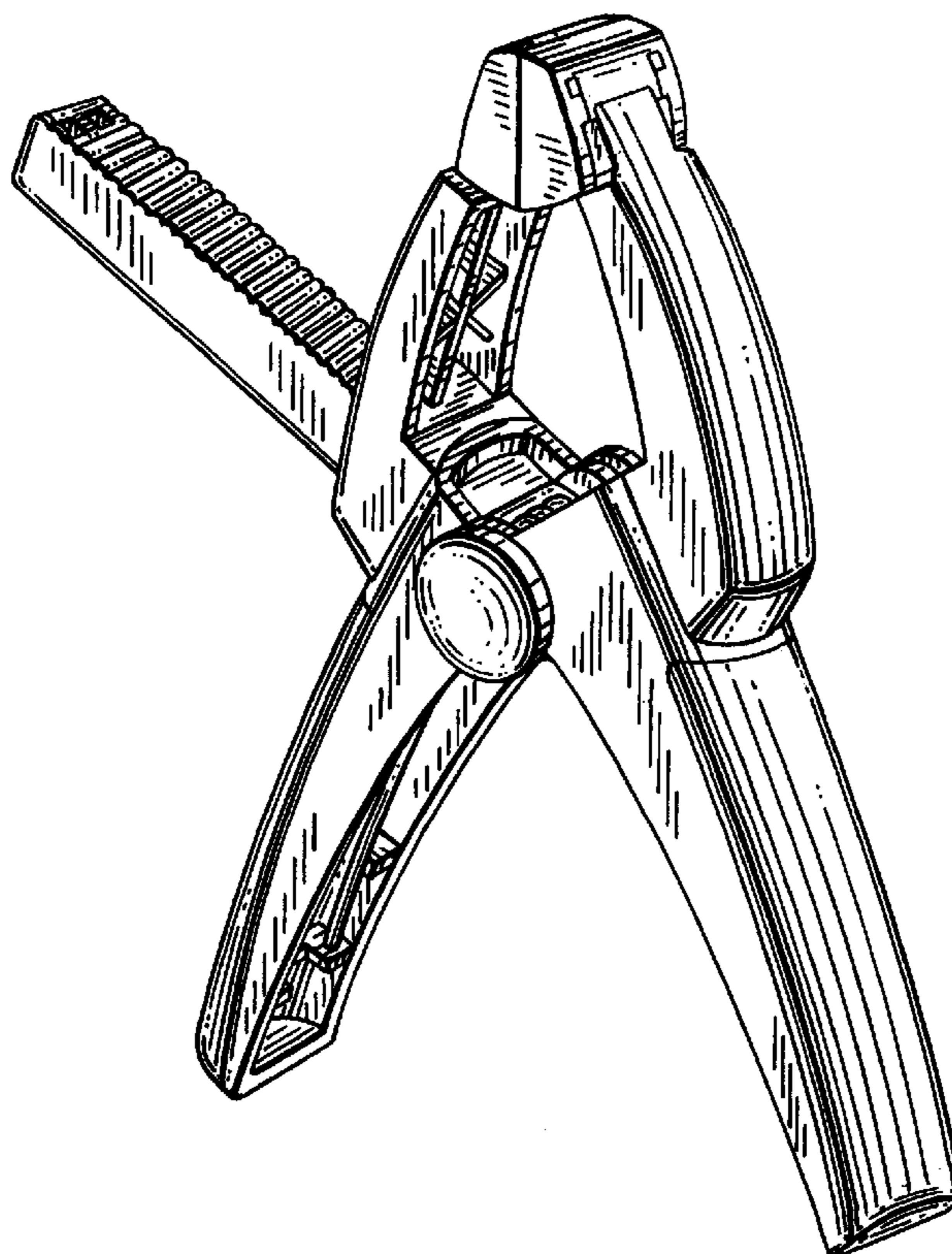
FIG. 6 is a bottom plan view thereof.

(56) **References Cited**

U.S. PATENT DOCUMENTS

4,944,204 A	7/1990	West	
D457,409 S	* 5/2002	Noniewicz	..... D8/72
D481,921 S	* 11/2003	Ben-Gigi	..... D8/72
D485,481 S	* 1/2004	Wolff	..... D8/72
D487,688 S	* 3/2004	Brass et al.	..... D8/72

**1 Claim, 4 Drawing Sheets**



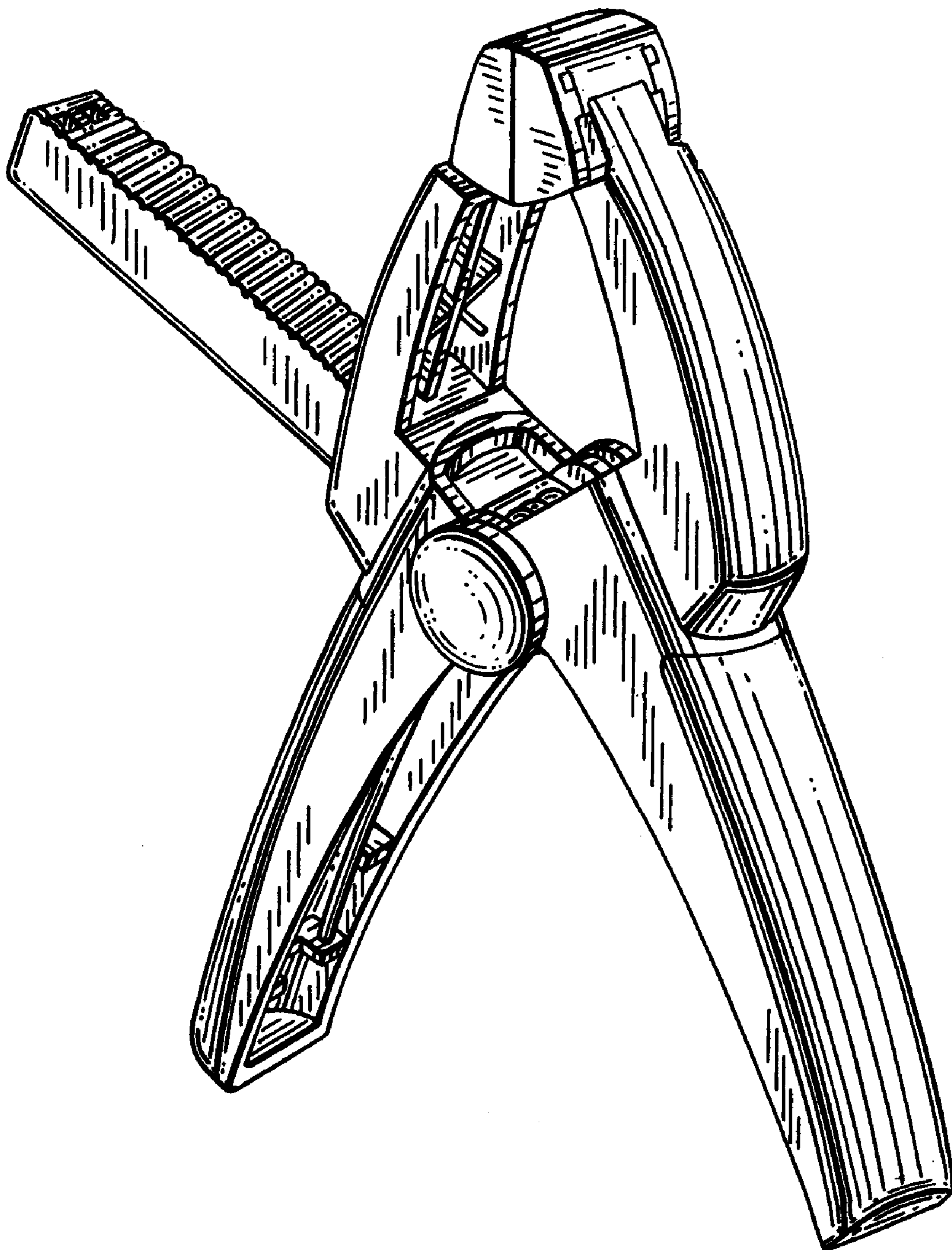


FIG. 1

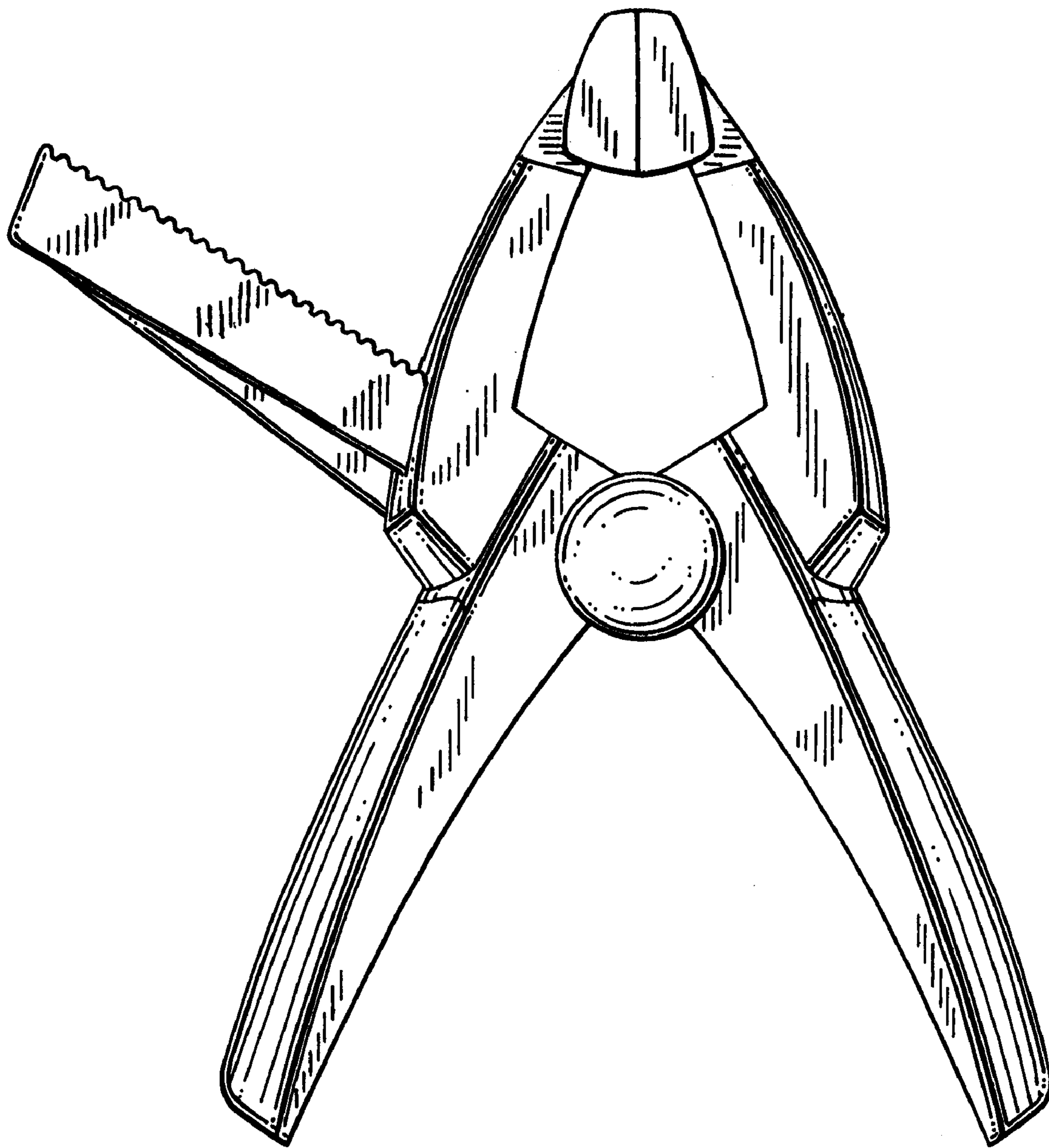


FIG. 2

FIG. 3

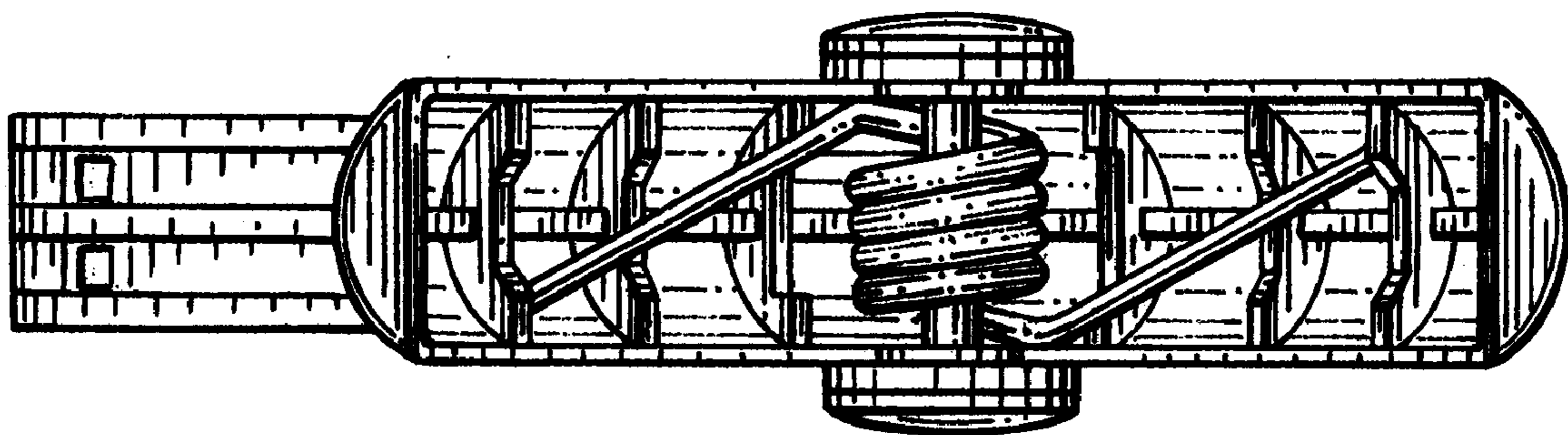
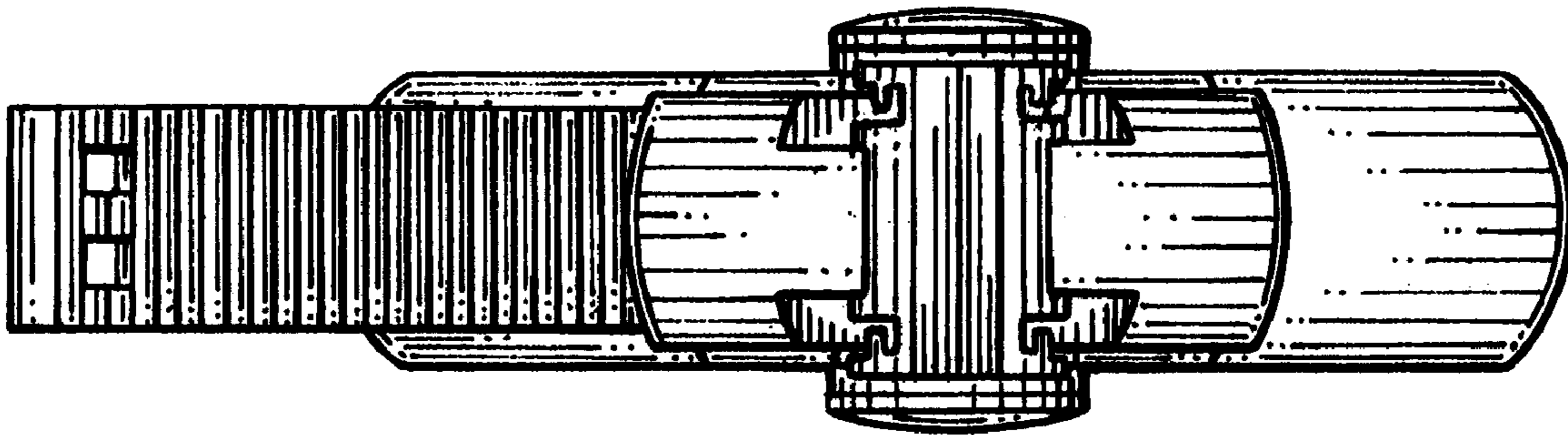


FIG. 6

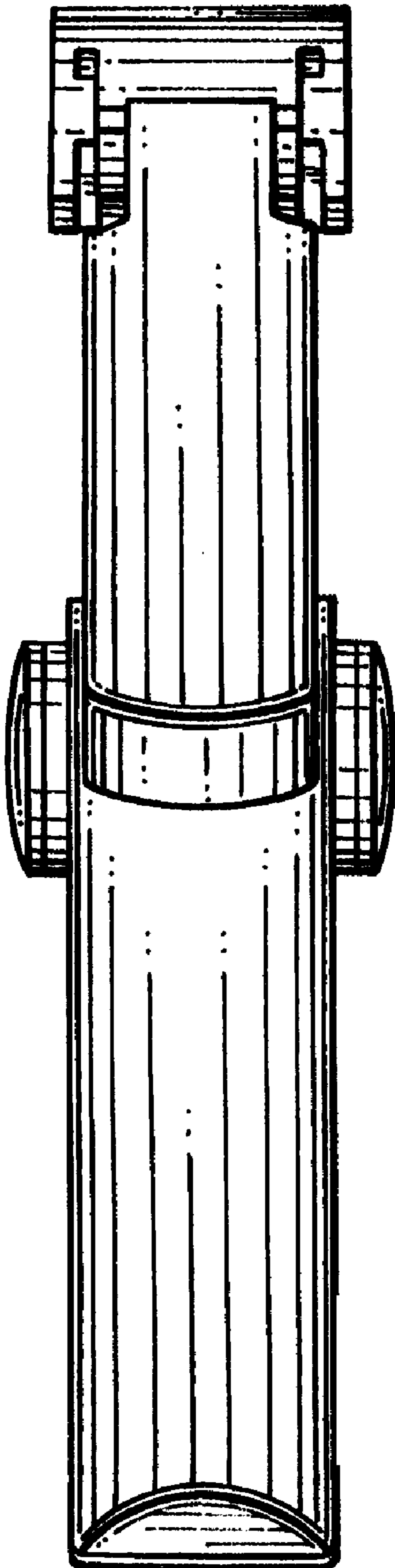


FIG. 4

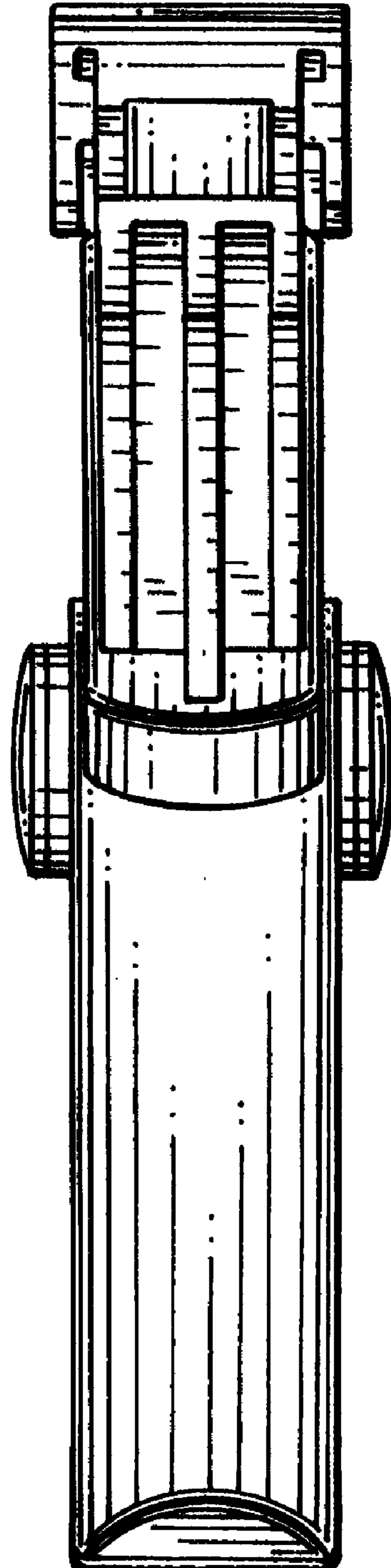


FIG. 5