



US00D519811S

(12) **United States Design Patent**
Lin

(10) **Patent No.:** **US D519,811 S**

(45) **Date of Patent:** **** May 2, 2006**

(54) **GARDEN TOOLS BASE**

(75) **Inventor:** **Pei-Ying Lin**, Taichung Hsien (TW)

(73) **Assignee:** **Global Industries Holdings Ltd.**, New Providence (BS)

(**) **Term:** **14 Years**

(21) **Appl. No.:** **29/192,495**

(22) **Filed:** **Oct. 24, 2003**

(51) **LOC (8) Cl.** **08-05**

(52) **U.S. Cl.** **D8/71**

(58) **Field of Classification Search** D8/71,
D8/14, 70, 72, 73, 74, 349, 354, 373, 395;
D6/553; D15/130, 132, 138, 139, 140, 141;
173/132; 206/349; 211/70.1, 70.6; 248/127,
248/146, 156

See application file for complete search history.

(56) **References Cited**

U.S. PATENT DOCUMENTS

3,298,532 A * 1/1967 Wilcke 248/146
5,390,944 A * 2/1995 Sherwin 211/70.6
D377,310 S * 1/1997 Crump, Jr. D8/71

D435,415 S * 12/2000 Johnson et al. D8/71

D435,430 S * 12/2000 Valentz et al. D8/349

2003/0042217 A1 * 3/2003 Berry 211/70.6

2005/0145586 A1 * 7/2005 Lin 248/156

* cited by examiner

Primary Examiner—Gary D. Watson

Assistant Examiner—T. Chase Nelson

(74) *Attorney, Agent, or Firm*—Levenfeld Pearstein; Leon I. Edelson; William C. Clarke

(57) **CLAIM**

The ornamental design for garden tools base, as shown and described.

DESCRIPTION

FIG. 1 is a perspective view of a garden tools base showing our new design thereof;

FIG. 2 is a front elevational view thereof;

FIG. 3 is a rear elevational view thereof;

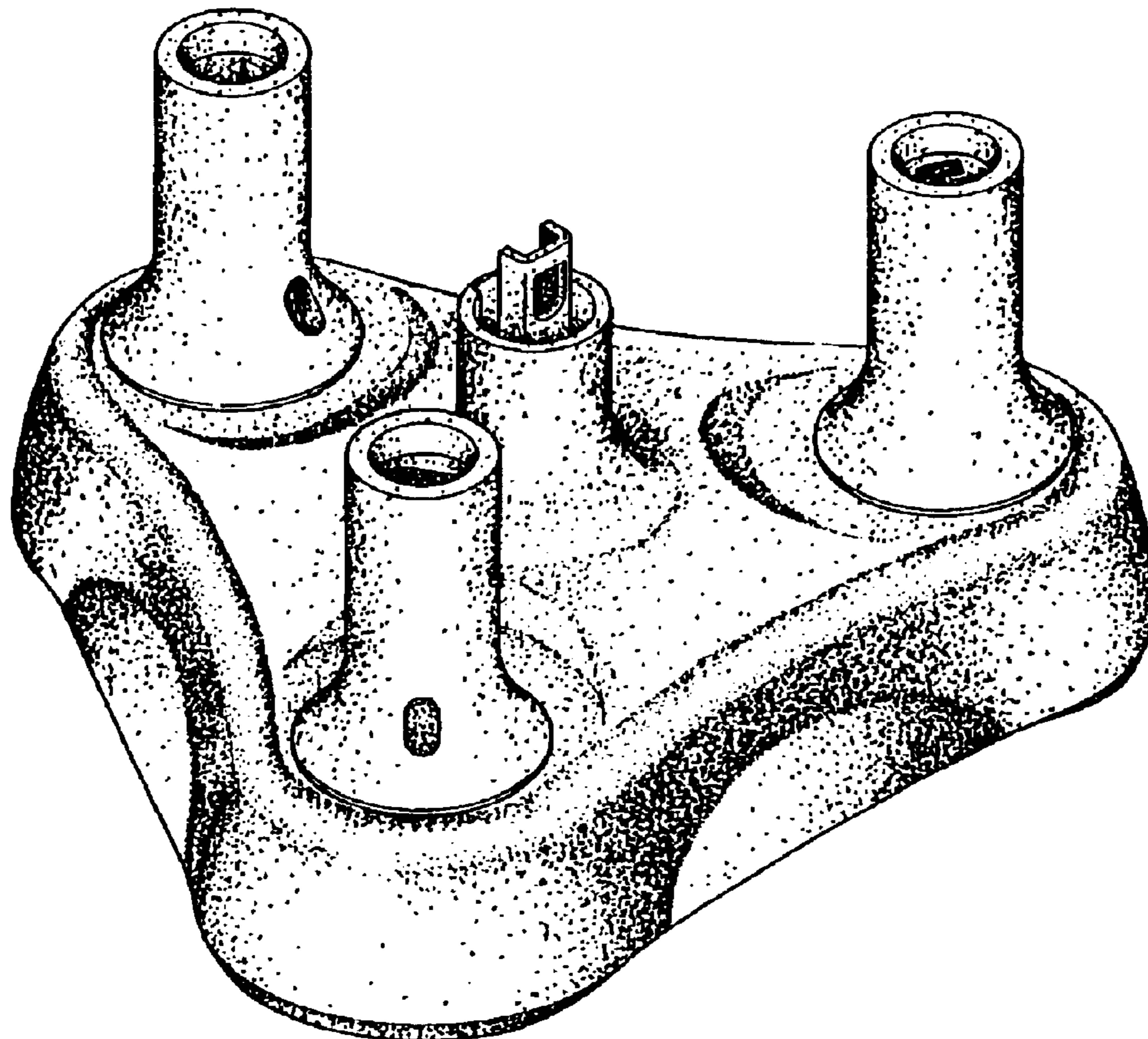
FIG. 4 is a left side elevational view thereof;

FIG. 5 is a right side elevational view thereof;

FIG. 6 is a top plan view thereof; and,

FIG. 7 is a bottom plan view thereof.

1 Claim, 4 Drawing Sheets



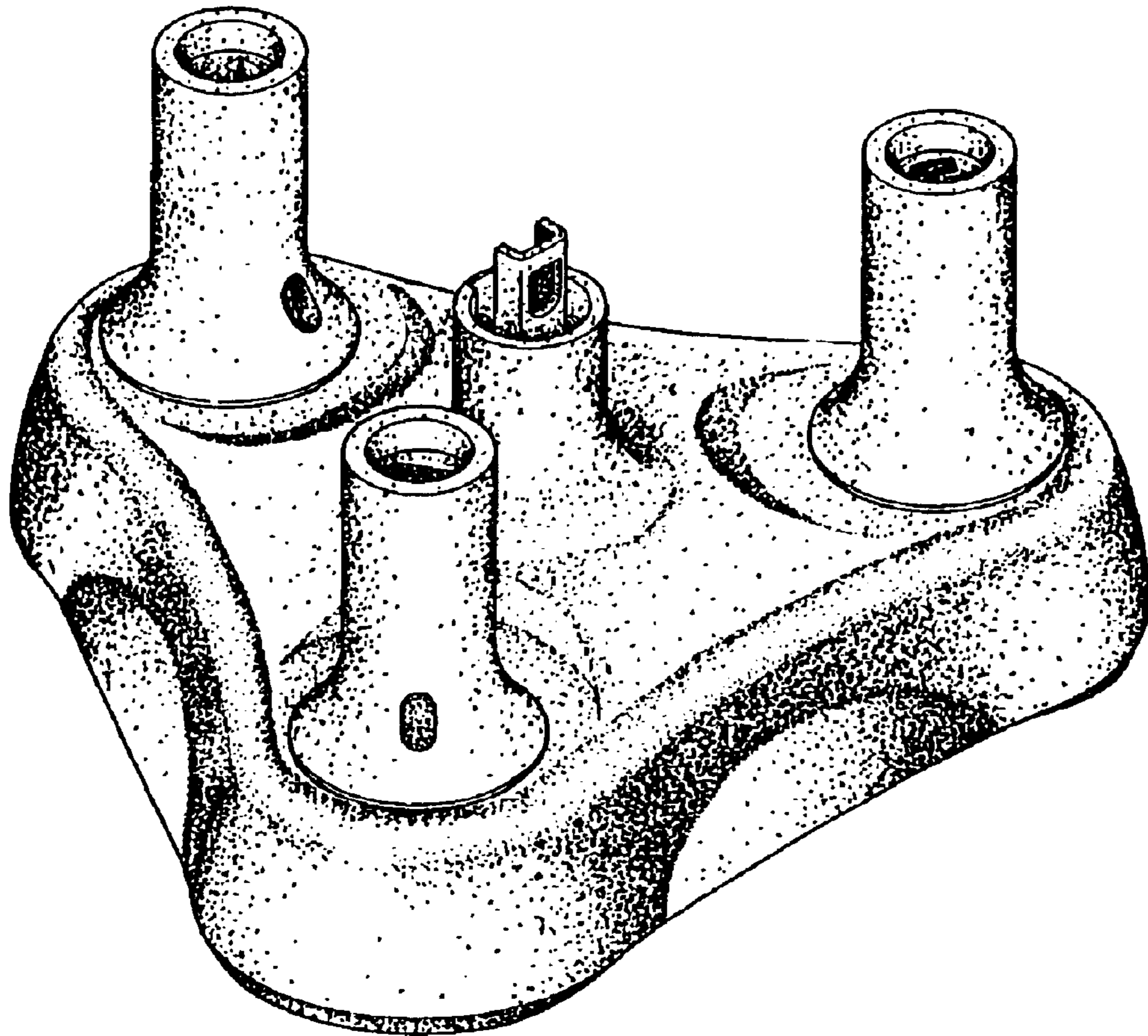


FIG. 1

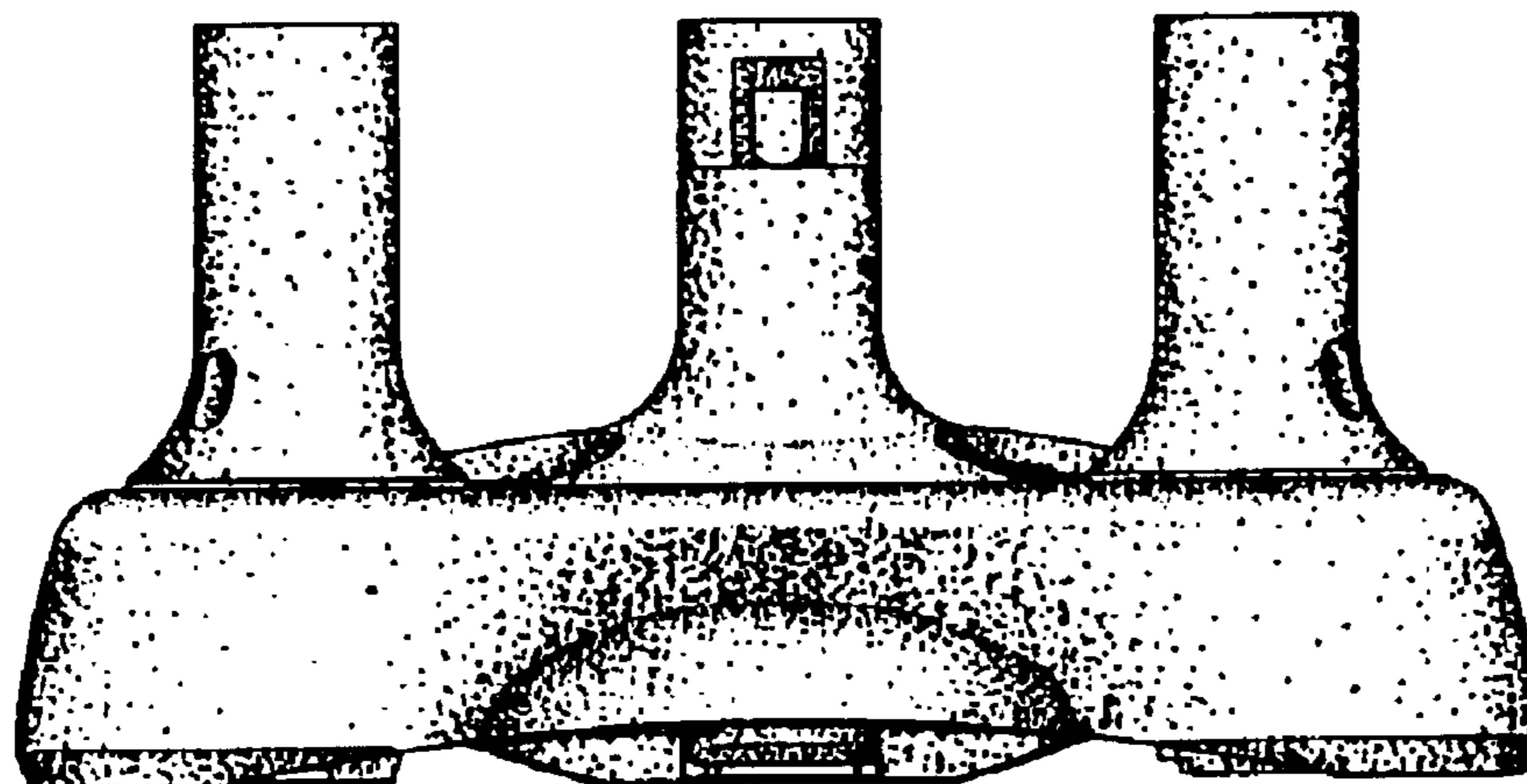


FIG. 2

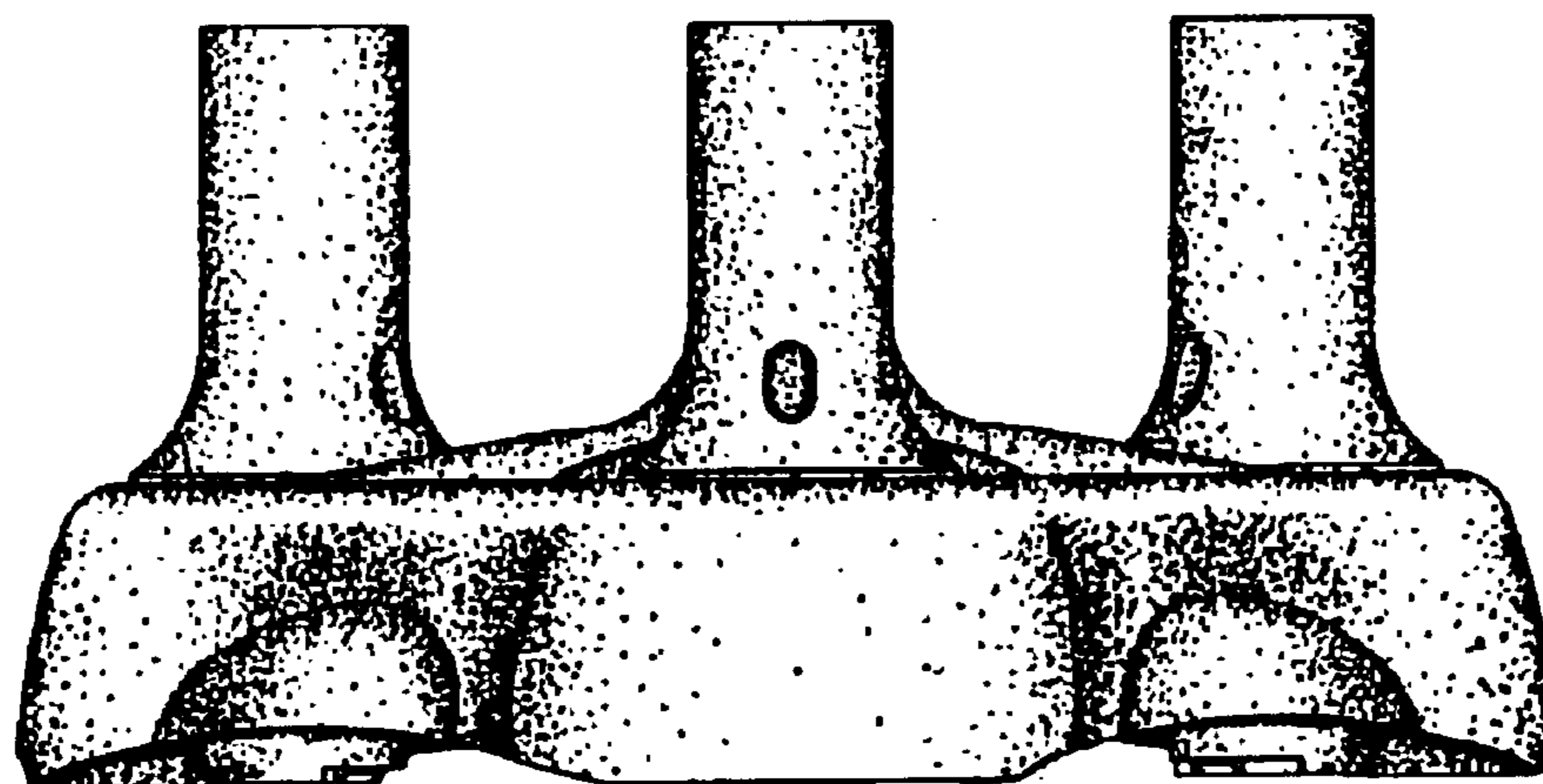


FIG. 3

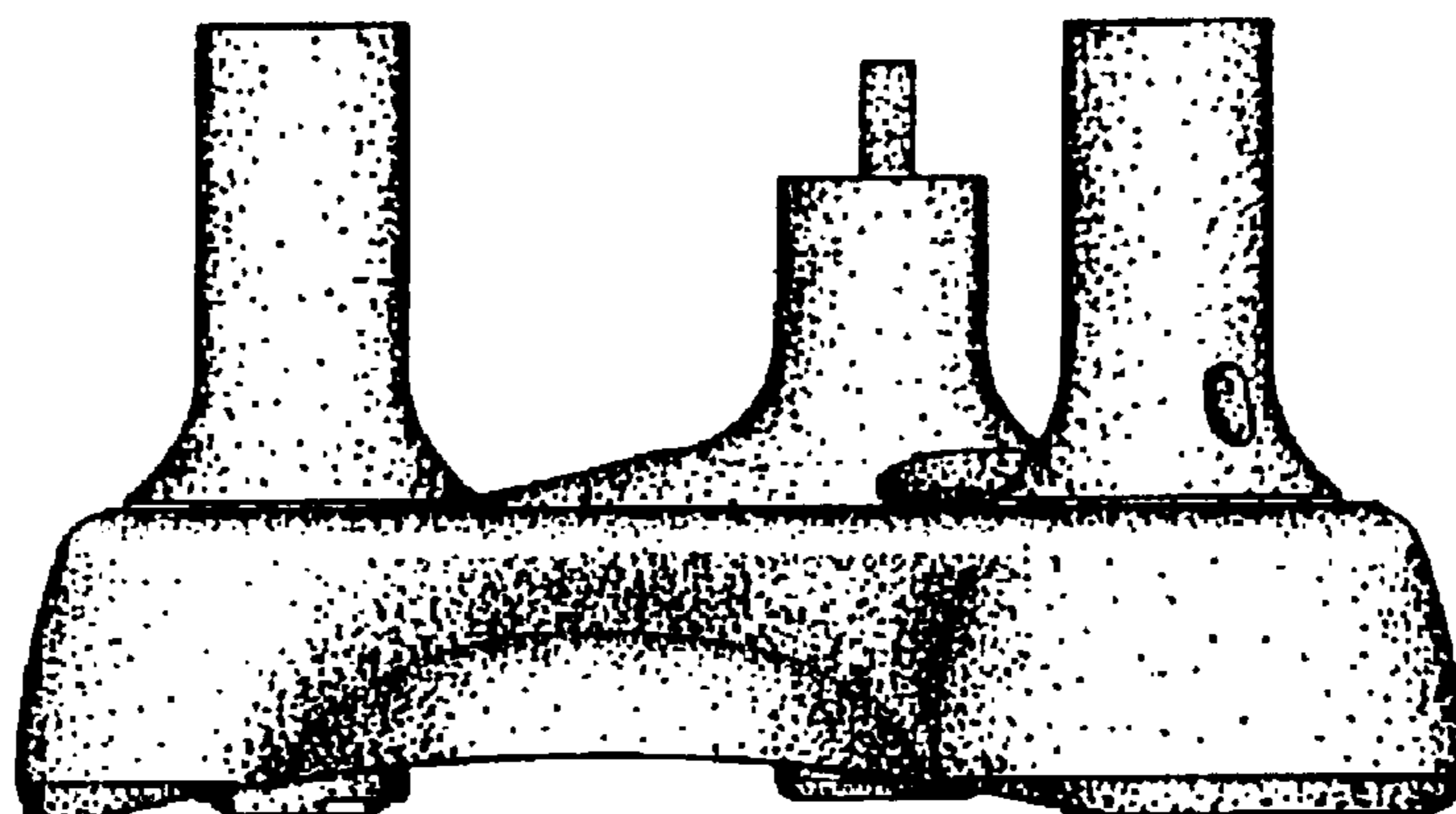


FIG. 4

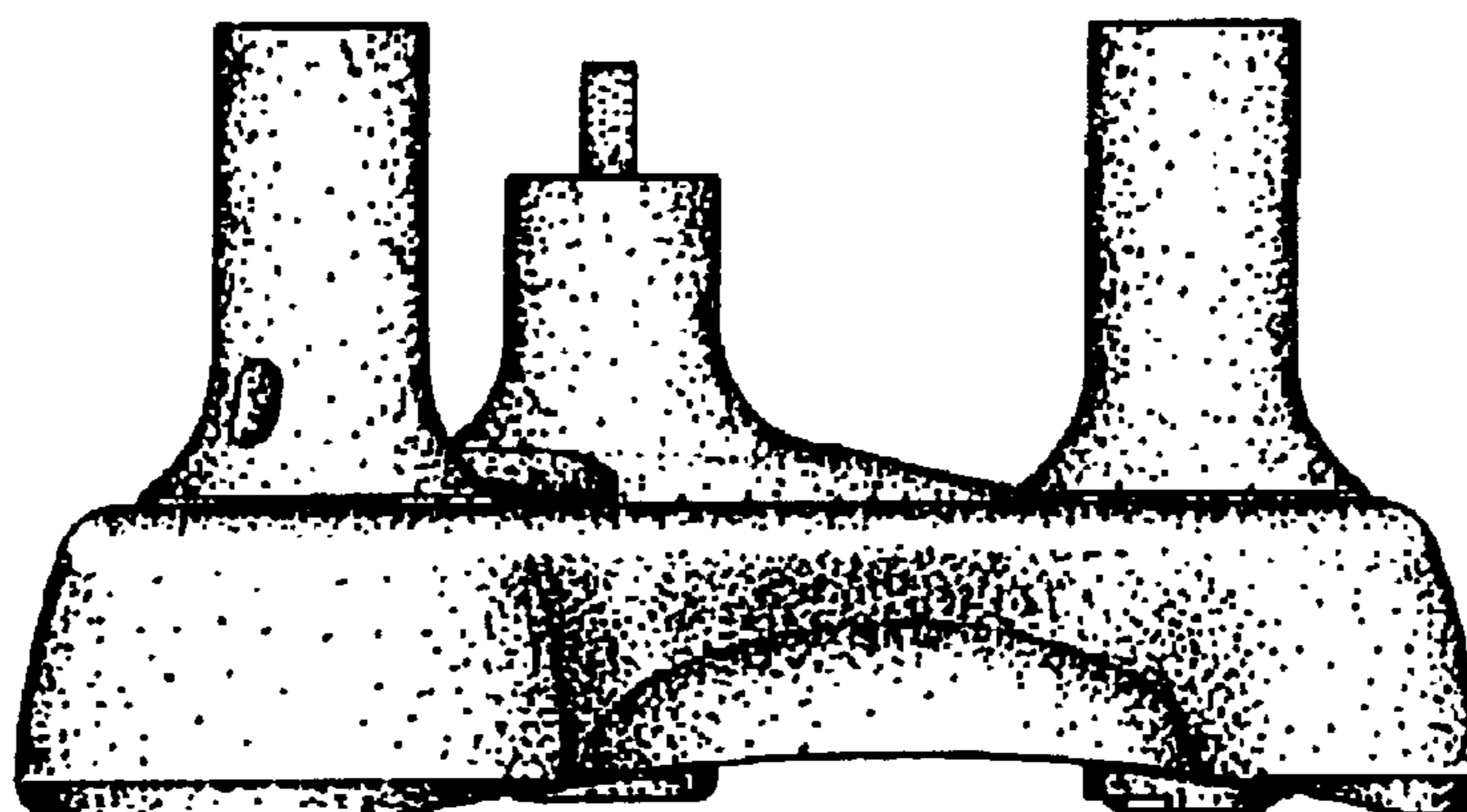


FIG. 5

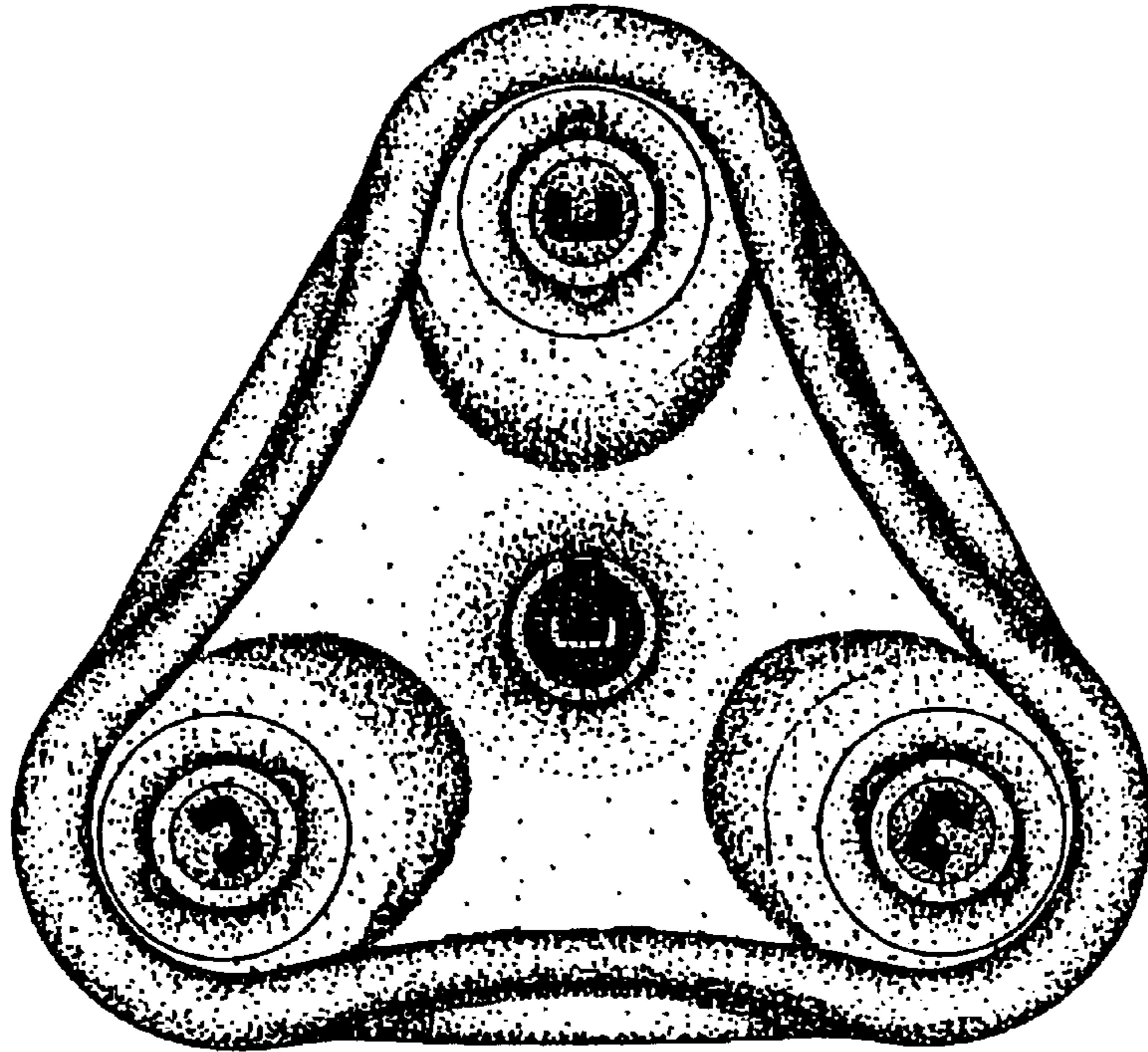


FIG. 6

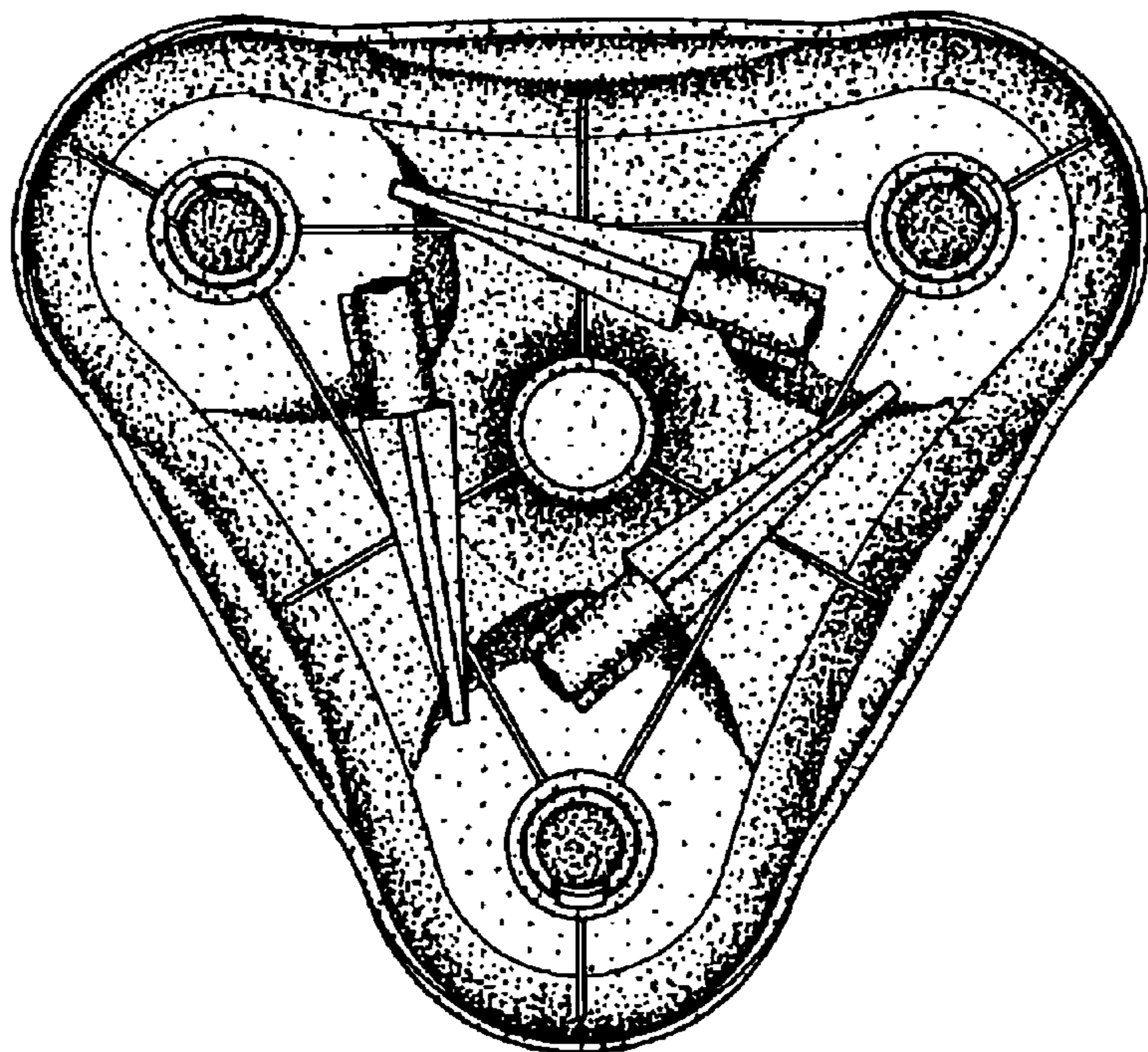


FIG. 7