



US00D519810S

(12) **United States Design Patent**
Chu

(10) **Patent No.:** **US D519,810 S**

(45) **Date of Patent:** **** May 2, 2006**

(54) **SAW ATTACHMENT FOR ROTARY DRIVING TOOL**

(75) **Inventor:** **Vincent Yiu Tak Chu**, Hong Kong SAR (CN)

(73) **Assignee:** **Choon Nang Electrical Appliance Mfy., Ltd.**, Aberdeen (HK)

(**) **Term:** **14 Years**

(21) **Appl. No.:** **29/227,110**

(22) **Filed:** **Apr. 6, 2005**

(30) **Foreign Application Priority Data**

Jan. 18, 2005 (HK) 0500122

(51) **LOC (8) Cl.** **08-03**

(52) **U.S. Cl.** **D8/70**

(58) **Field of Classification Search** D8/61,
D8/62, 63, 64, 65, 66, 67, 68, 69, 70, 14;
D15/133, 138, 139, 140; 30/166.3, 276, 388,
30/389, 390, 391, 500; 144/35.1
See application file for complete search history.

(56) **References Cited**

U.S. PATENT DOCUMENTS

1,850,137 A * 3/1932 Pursell 30/500
D159,723 S * 8/1950 Glade D8/70
2,714,905 A * 8/1955 Clayton 30/500
2,787,265 A * 4/1957 Neidt 30/373
D198,423 S * 6/1964 Cummins D15/133

4,377,909 A * 3/1983 Keener 30/500
4,608,477 A * 8/1986 Deichelbohrer 30/500
D313,733 S * 1/1991 Pastore D8/67
D337,500 S * 7/1993 Hutchings, II D8/70
5,529,532 A * 6/1996 Desrosiers 30/276
D401,827 S * 12/1998 Lui D8/66
D418,032 S * 12/1999 Watson et al. D8/66
D439,124 S * 3/2001 Duennes D8/70
6,735,875 B1 * 5/2004 Eslambolchi et al. 30/391
6,820,339 B1 * 11/2004 Albrightson 30/500
2003/0088988 A1 * 5/2003 Baber et al. 30/390

* cited by examiner

Primary Examiner—Holly Baynham

Assistant Examiner—T. Chase Nelson

(74) *Attorney, Agent, or Firm*—Alix, Yale & Ristas, LLP

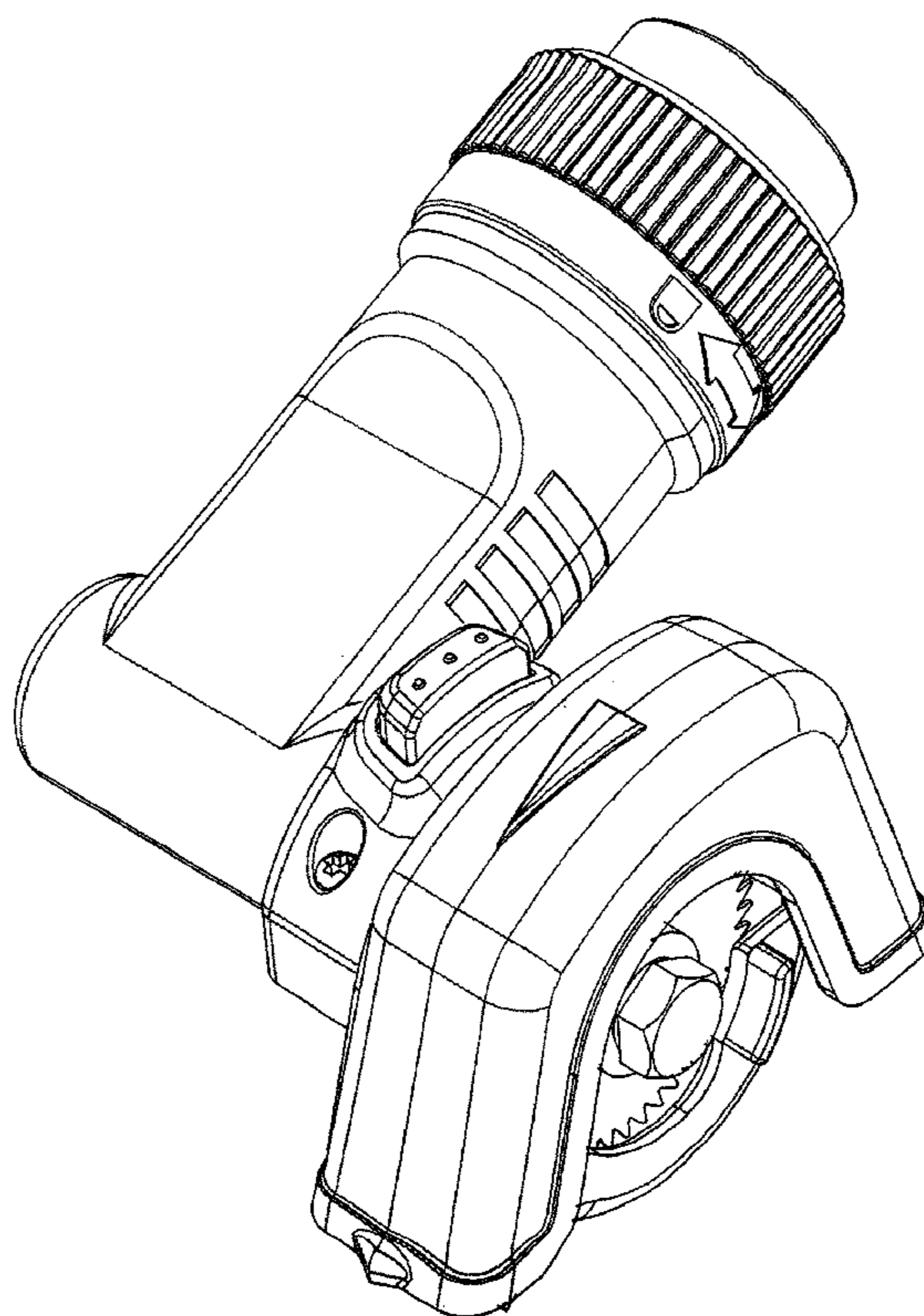
(57) **CLAIM**

The ornamental design for a saw attachment for rotary driving tool, as shown and described.

DESCRIPTION

FIG. 1 is a front, left side and top perspective view of a saw attachment for rotary driving tool showing my new design; FIG. 2 is a rear, right side and top perspective view thereof; FIG. 3 is a left side elevational view thereof; FIG. 4 is a right side elevational view thereof; FIG. 5 is a front elevational view thereof; FIG. 6 is a rear elevational view thereof; FIG. 7 is a top plan view thereof; and, FIG. 8 is a bottom plan view thereof.

1 Claim, 8 Drawing Sheets



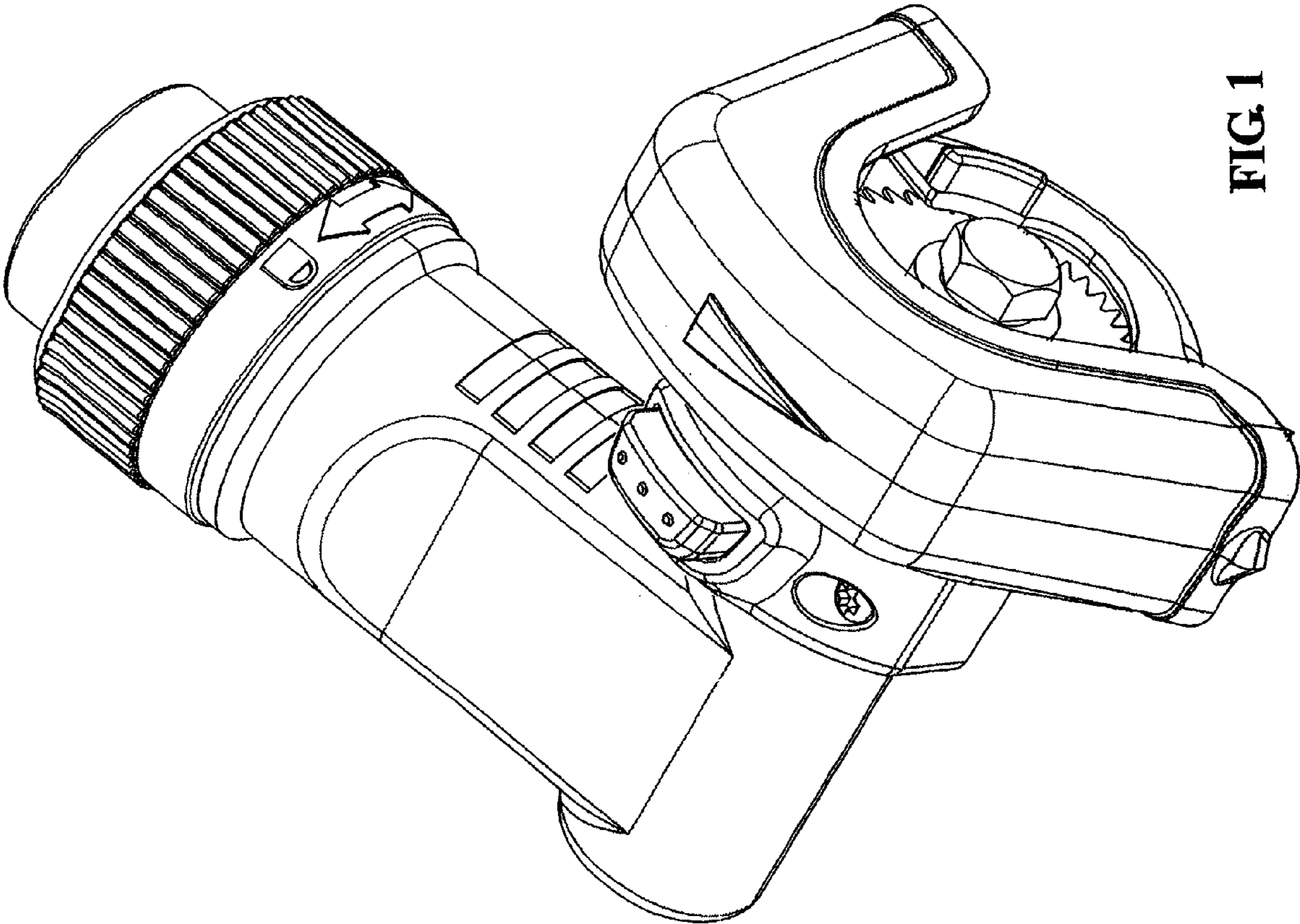


FIG. 1

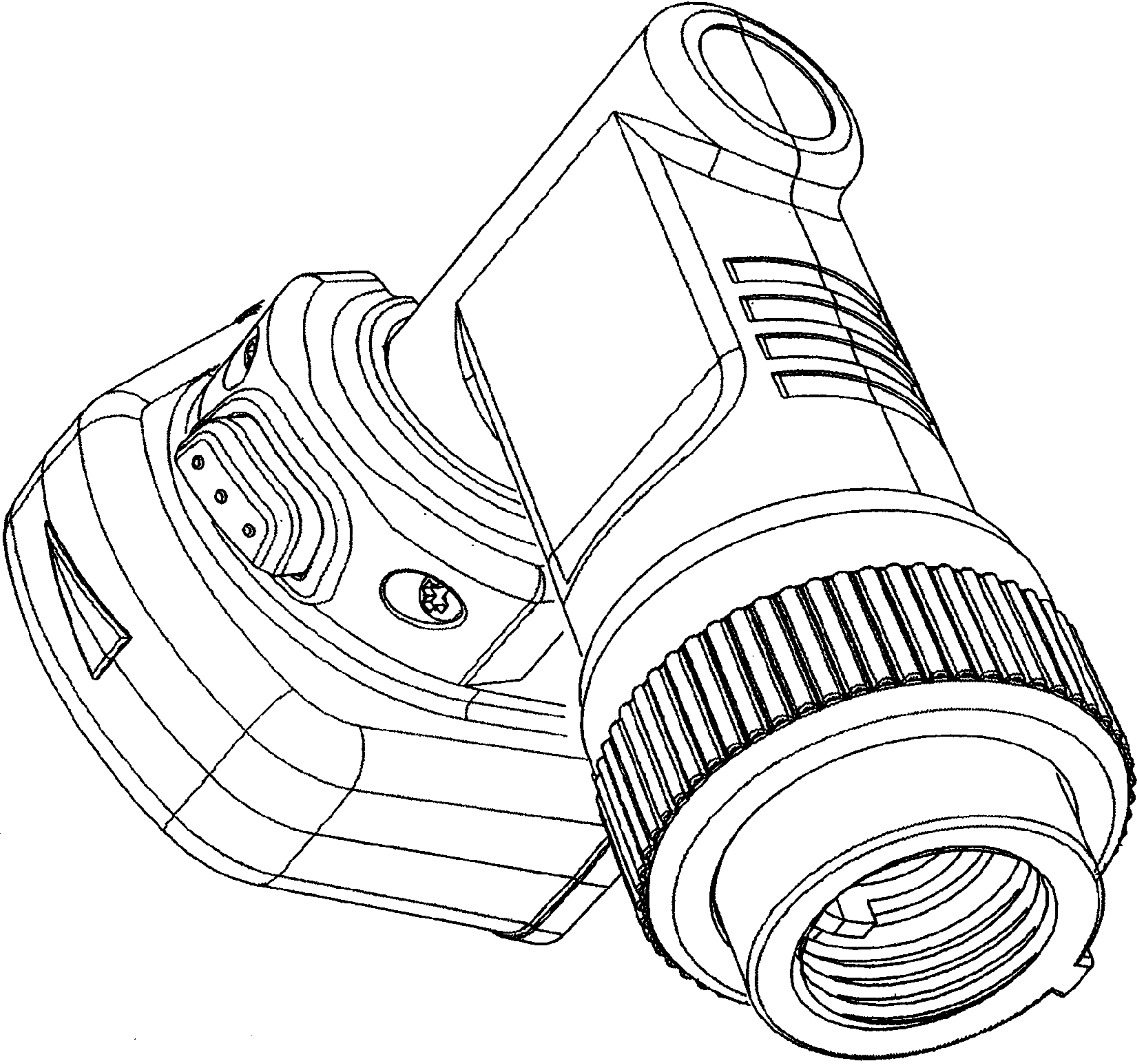


FIG. 2

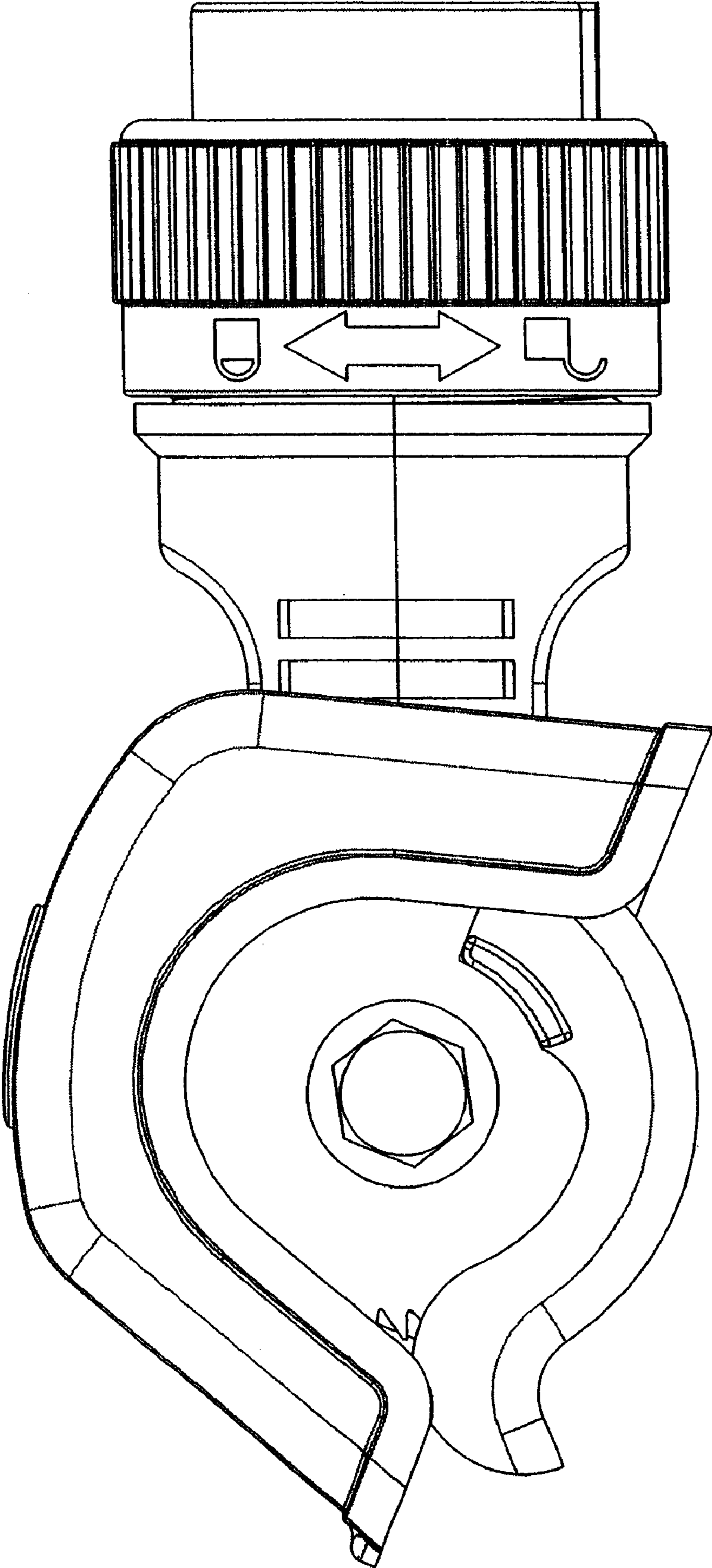


FIG. 3

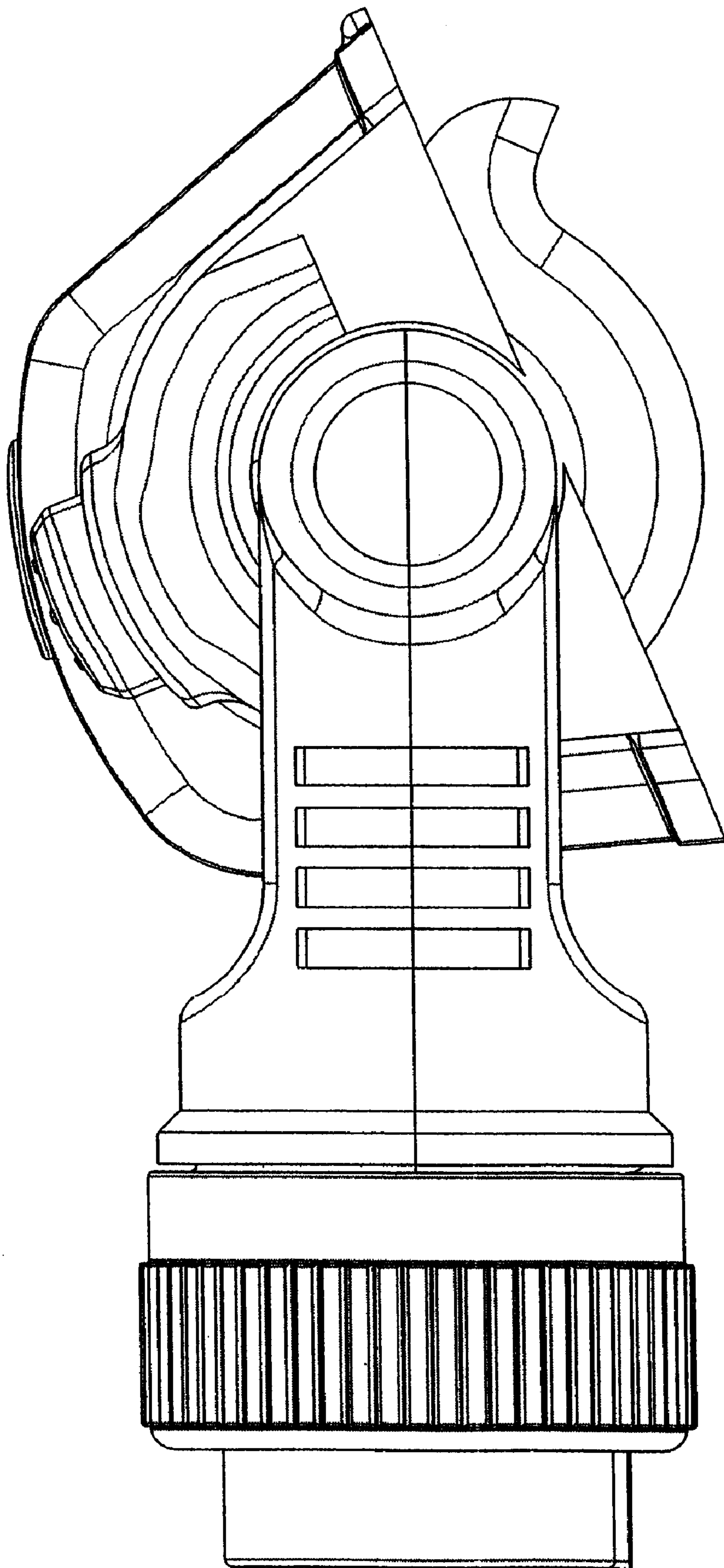


FIG. 4

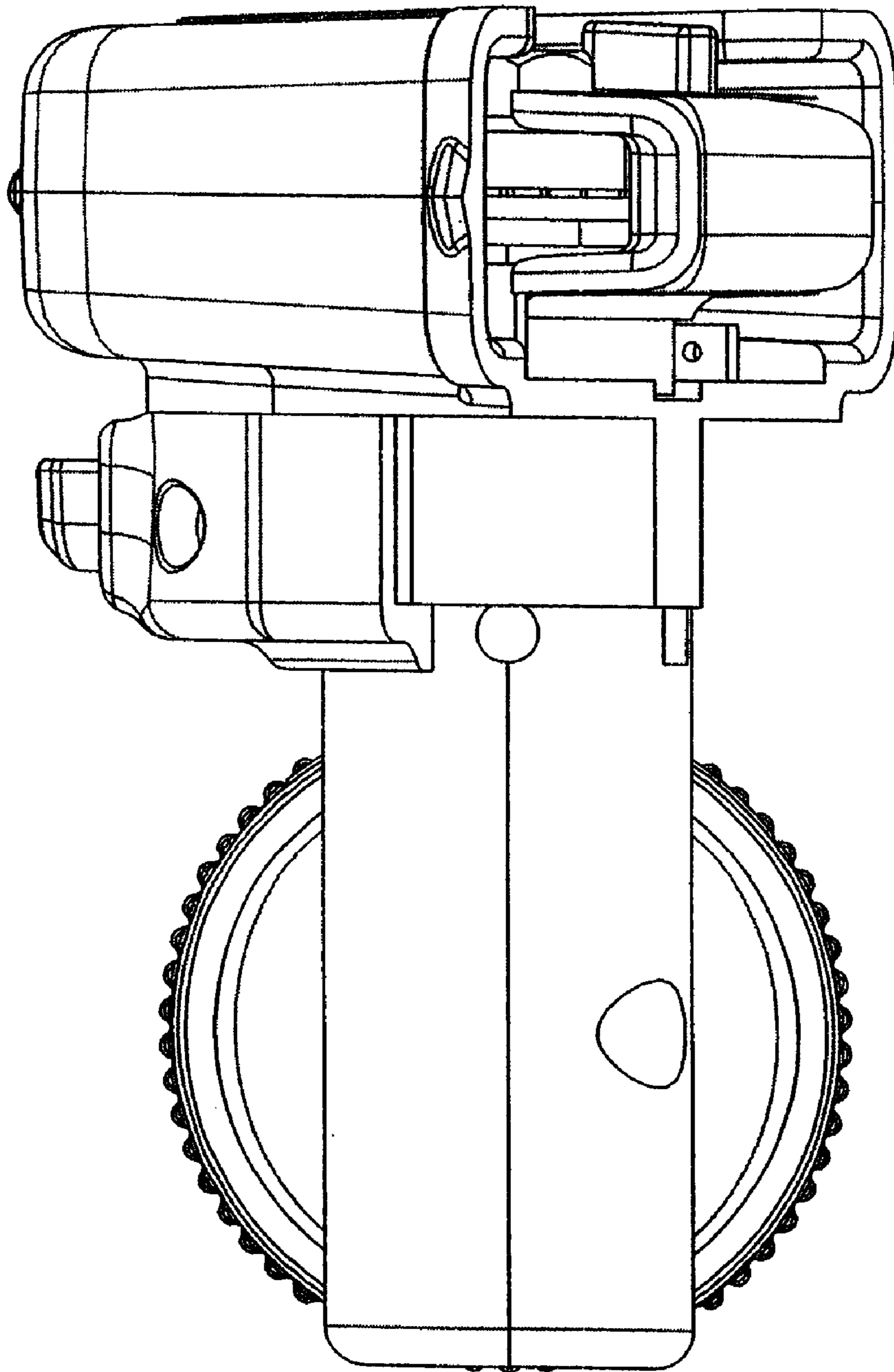


FIG. 5

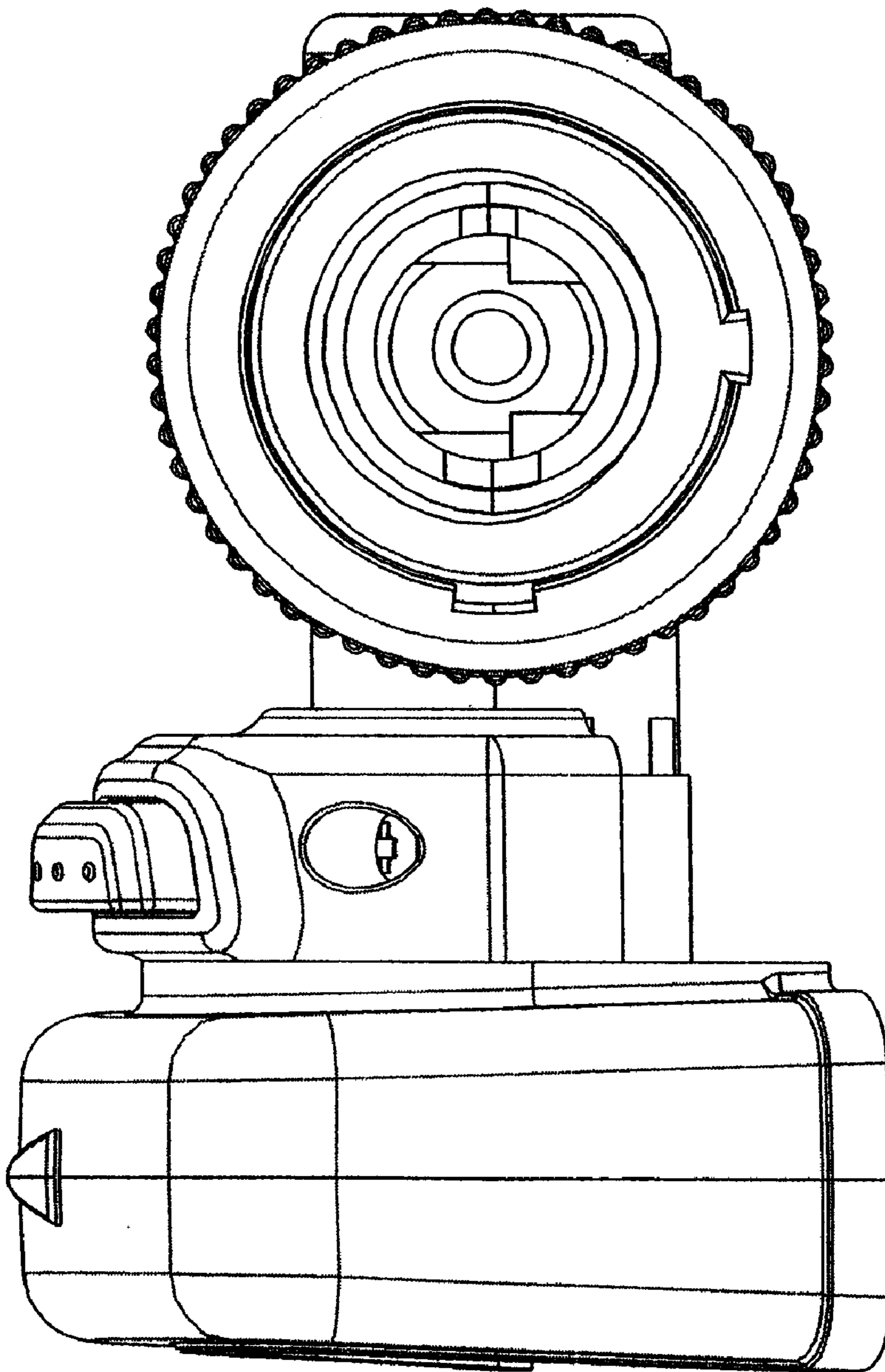


FIG. 6

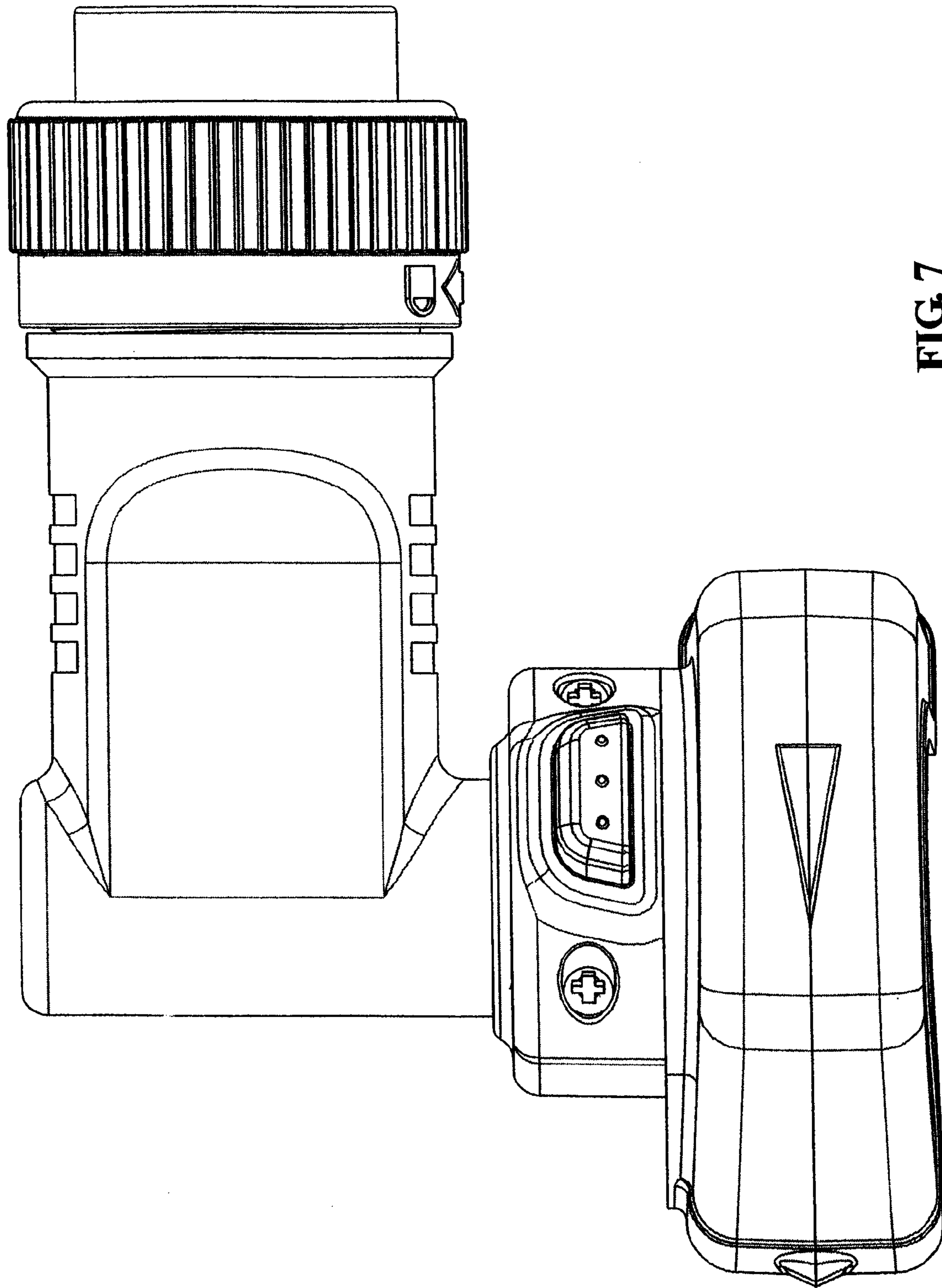


FIG. 7

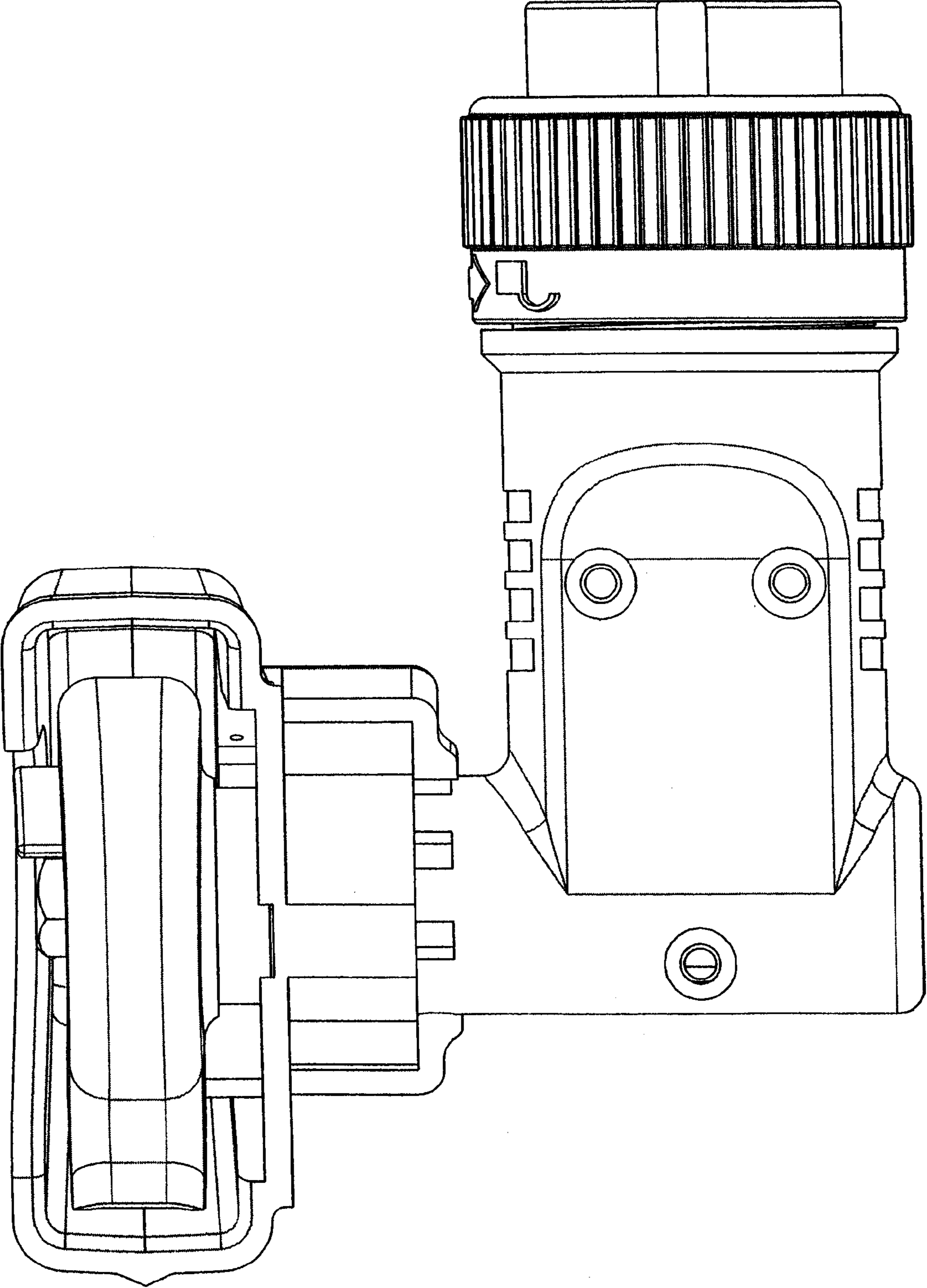


FIG. 8