

US00D519809S

(12) **United States Design Patent**
Taniguchi et al.

(10) **Patent No.:** **US D519,809 S**

(45) **Date of Patent:** **** May 2, 2006**

(54) **PORTABLE PNEUMATIC NAILER**

(75) Inventors: **Takeshi Taniguchi**, Hitachinaka (JP);
Masato Sakai, Hitachinaka (JP);
Yoshinori Ishizawa, Hitachinaka (JP);
Hiroki Kitagawa, Hitachinaka (JP);
Masashi Nishida, Hitachinaka (JP)

(73) Assignee: **Hitachi Koki Co., Ltd.**, Tokyo (JP)

(**) Term: **14 Years**

(21) Appl. No.: **29/215,124**

(22) Filed: **Oct. 15, 2004**

(30) **Foreign Application Priority Data**

Apr. 19, 2004 (JP) 2004-011801

(51) **LOC (8) Cl.** **08-05**

(52) **U.S. Cl.** **D8/69**

(58) **Field of Classification Search** D8/14.1,
D8/61, 62, 63, 64, 65, 66, 67, 68, 69, 70;
81/57.11, 429, 464, 465, 466, 469, 489; 173/13,
173/169, 178, 213, 217, 114, 201, 211; 227/8,
227/114, 120, 130, 136, 142; 408/20, 124,
408/125, 234, 241 R; 451/358; 310/50

See application file for complete search history.

(56) **References Cited**

U.S. PATENT DOCUMENTS

D219,259 S * 11/1970 Perkins D8/61
D338,606 S * 8/1993 Oda D8/69
5,322,189 A * 6/1994 Oda 227/120
5,816,469 A * 10/1998 Ohuchi 227/120
6,199,739 B1 * 3/2001 Mukoyama et al. 227/120
6,431,428 B1 * 8/2002 Chen 227/120
6,494,355 B1 * 12/2002 Adachi et al. 227/120
6,592,016 B1 * 7/2003 Hamano et al. 227/120
D477,975 S * 8/2003 Lai D8/68

D481,279 S * 10/2003 Buck D8/68
6,641,022 B1 * 11/2003 Hamano et al. 227/120
D486,048 S * 2/2004 Hattori D8/68
6,726,080 B1 * 4/2004 Hamada 173/169
D497,299 S * 10/2004 Matsuoka et al. D8/69
D499,623 S * 12/2004 Buck D8/68
D508,191 S * 8/2005 Hattori et al. D8/68
2001/0017311 A1 * 8/2001 Hamano et al. 227/120
2001/0030218 A1 * 10/2001 Adachi et al. 227/120
2003/0127490 A1 * 7/2003 Hamano et al. 227/120
2005/0001007 A1 * 1/2005 Butzen et al. 227/130
2005/0092806 A1 * 5/2005 Miller et al. 227/8

OTHER PUBLICATIONS

“NR 90AC2”, Catalog “Hitachi Power Tools 2002–2003”
issued 2002.

* cited by examiner

Primary Examiner—Gary D. Watson

Assistant Examiner—T. Chase Nelson

(74) *Attorney, Agent, or Firm*—Sughrue Mion, PLLC

(57) **CLAIM**

The ornamental design for a portable pneumatic nailer, as
shown.

DESCRIPTION

FIG. 1 is a perspective view of the top, front and right side
of a portable pneumatic nailer showing our new design;

FIG. 2 is a perspective view of the bottom, rear and right side
thereof;

FIG. 3 is a right side elevational view thereof;

FIG. 4 is a left side elevational view thereof;

FIG. 5 is a front elevational view thereof;

FIG. 6 is a rear elevational view thereof;

FIG. 7 is a top plan view thereof; and,

FIG. 8 is a bottom plan view thereof.

1 Claim, 8 Drawing Sheets

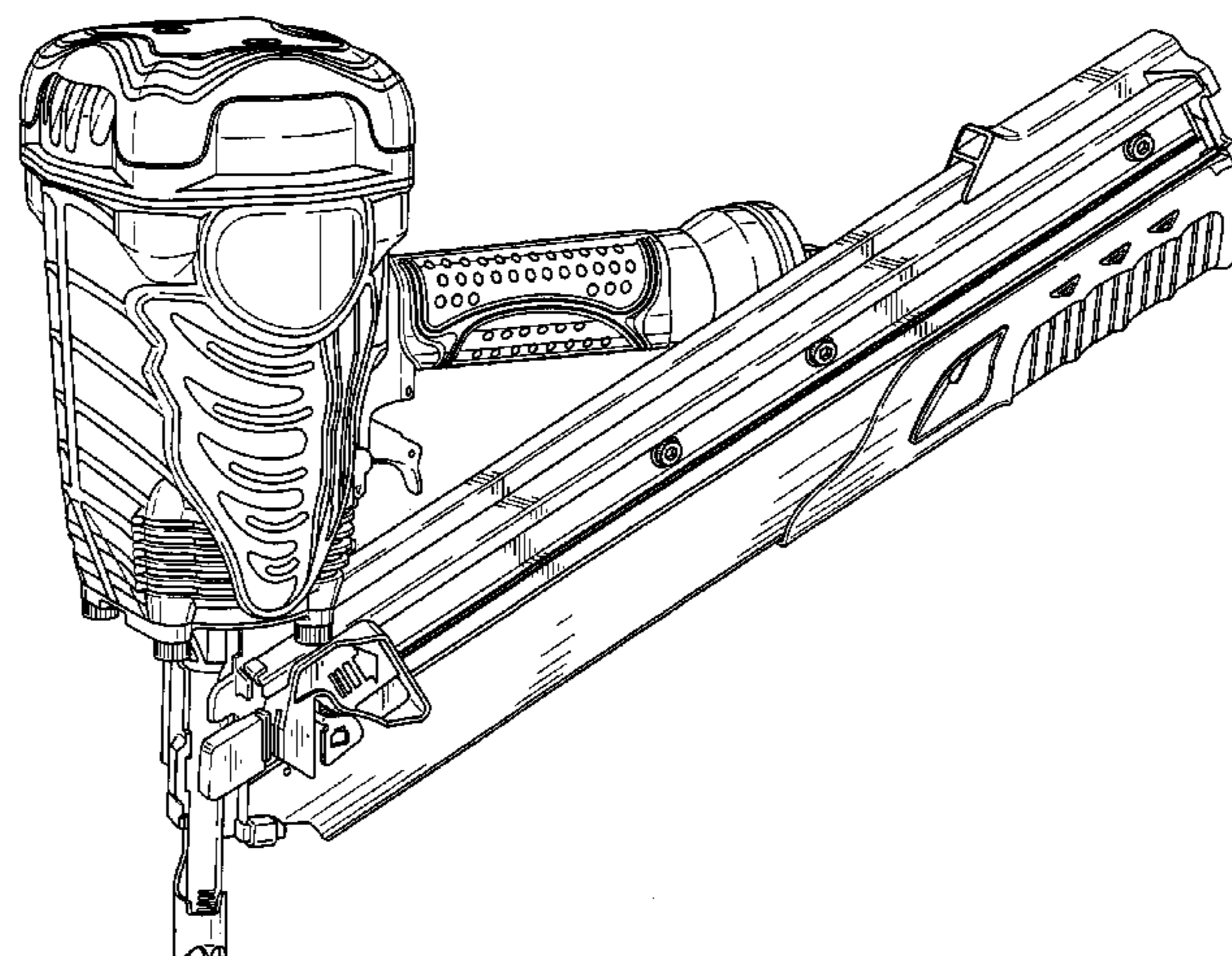
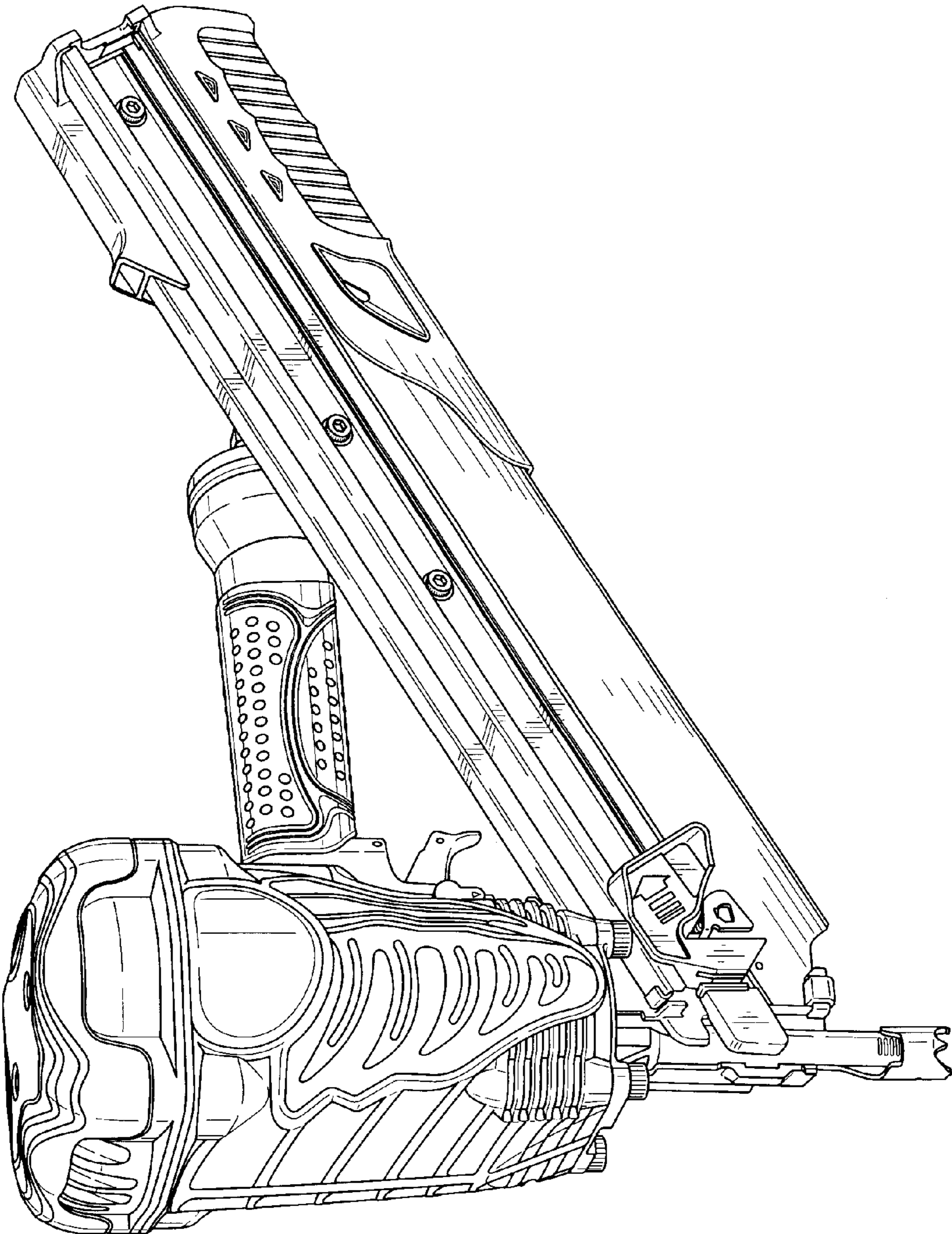


FIG. 1



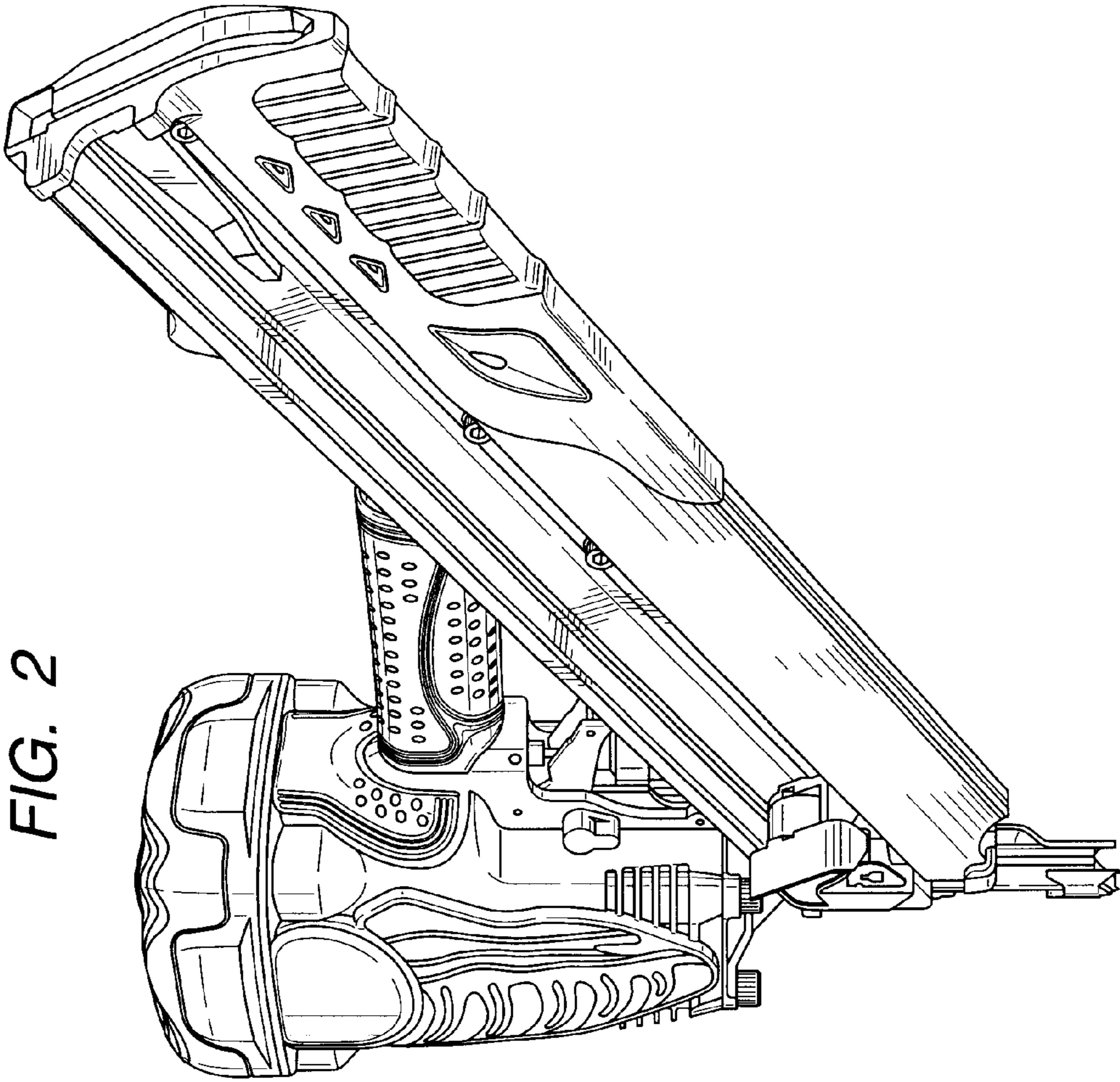
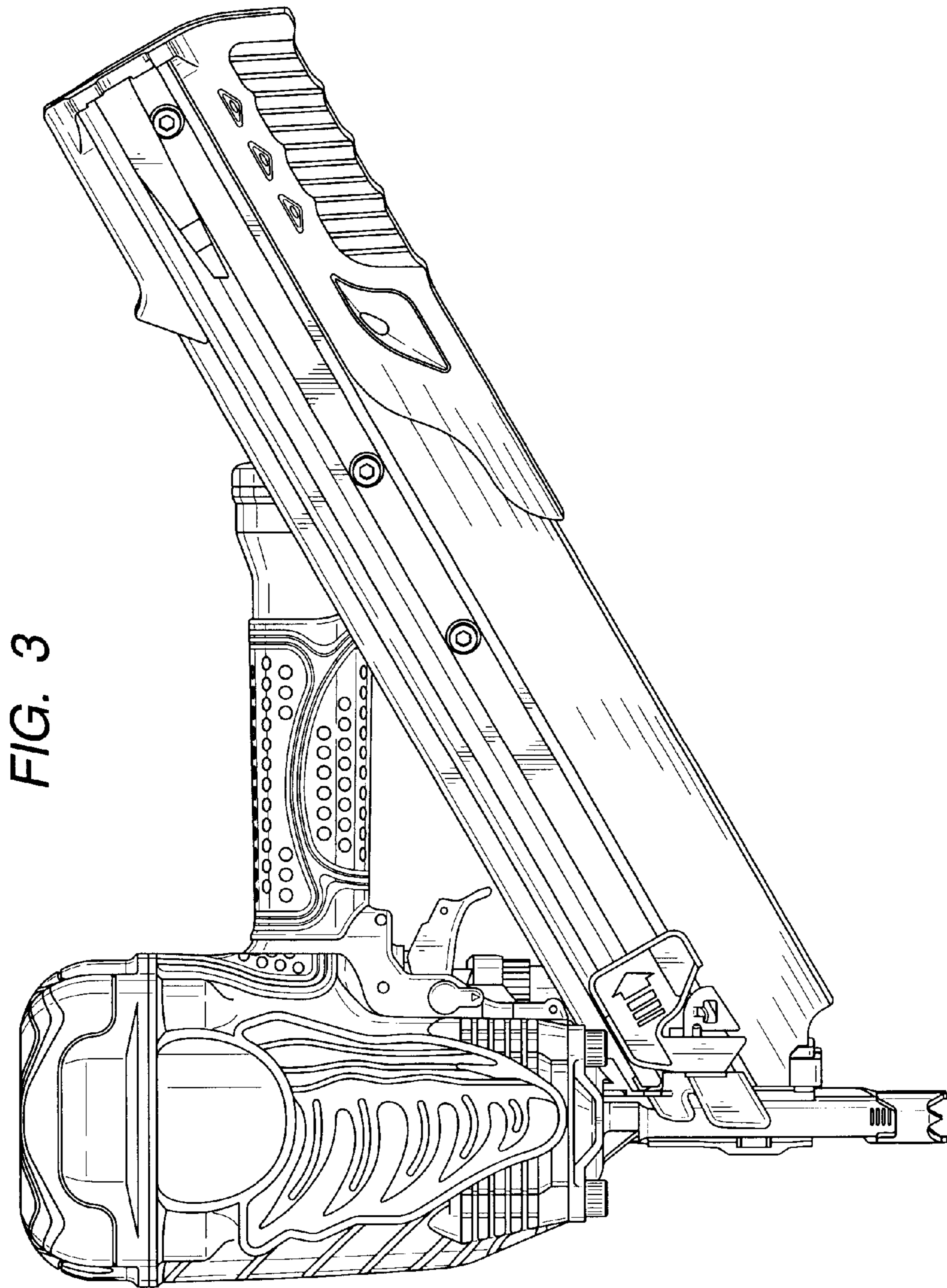


FIG. 2



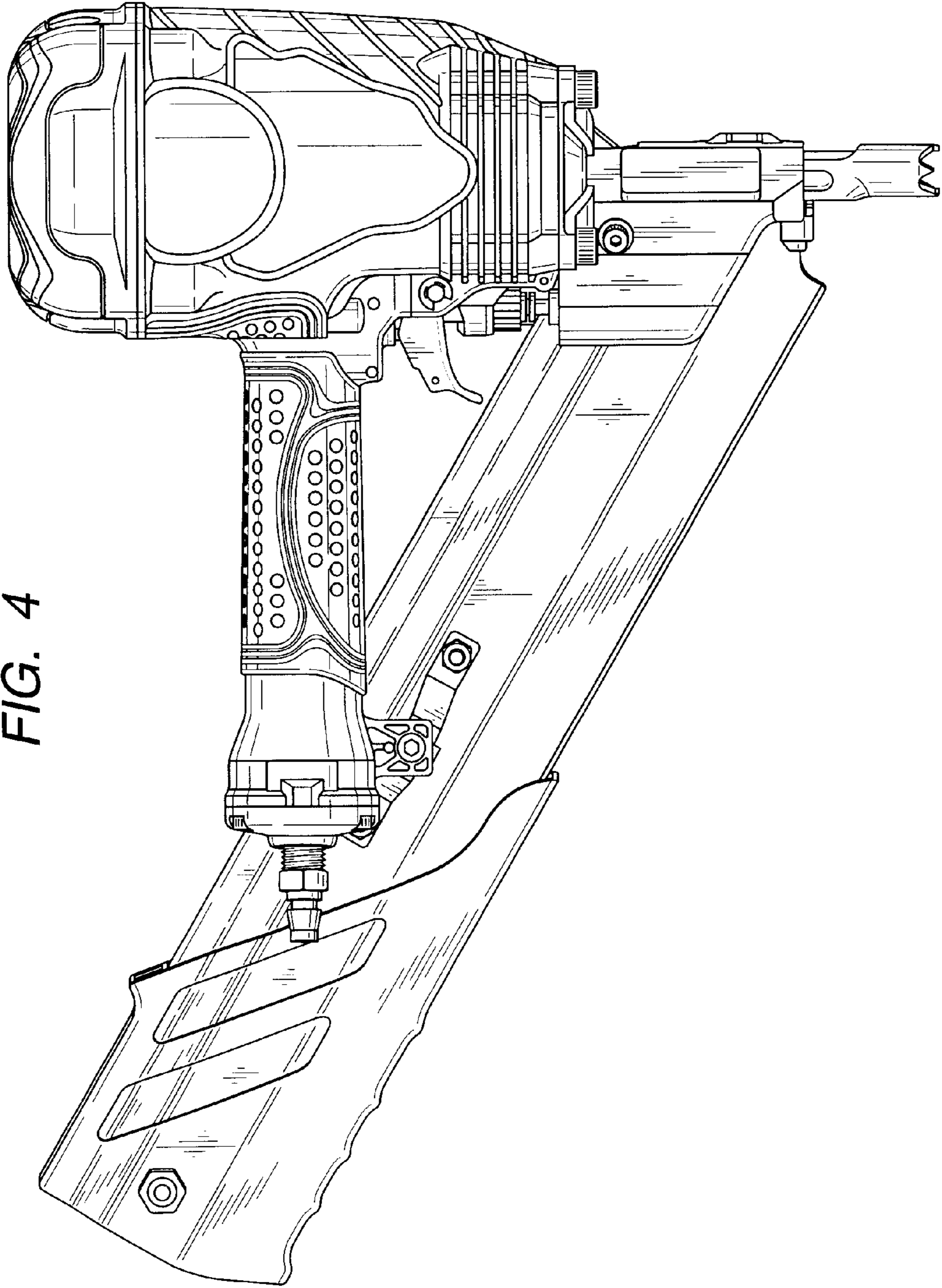


FIG. 4

FIG. 5

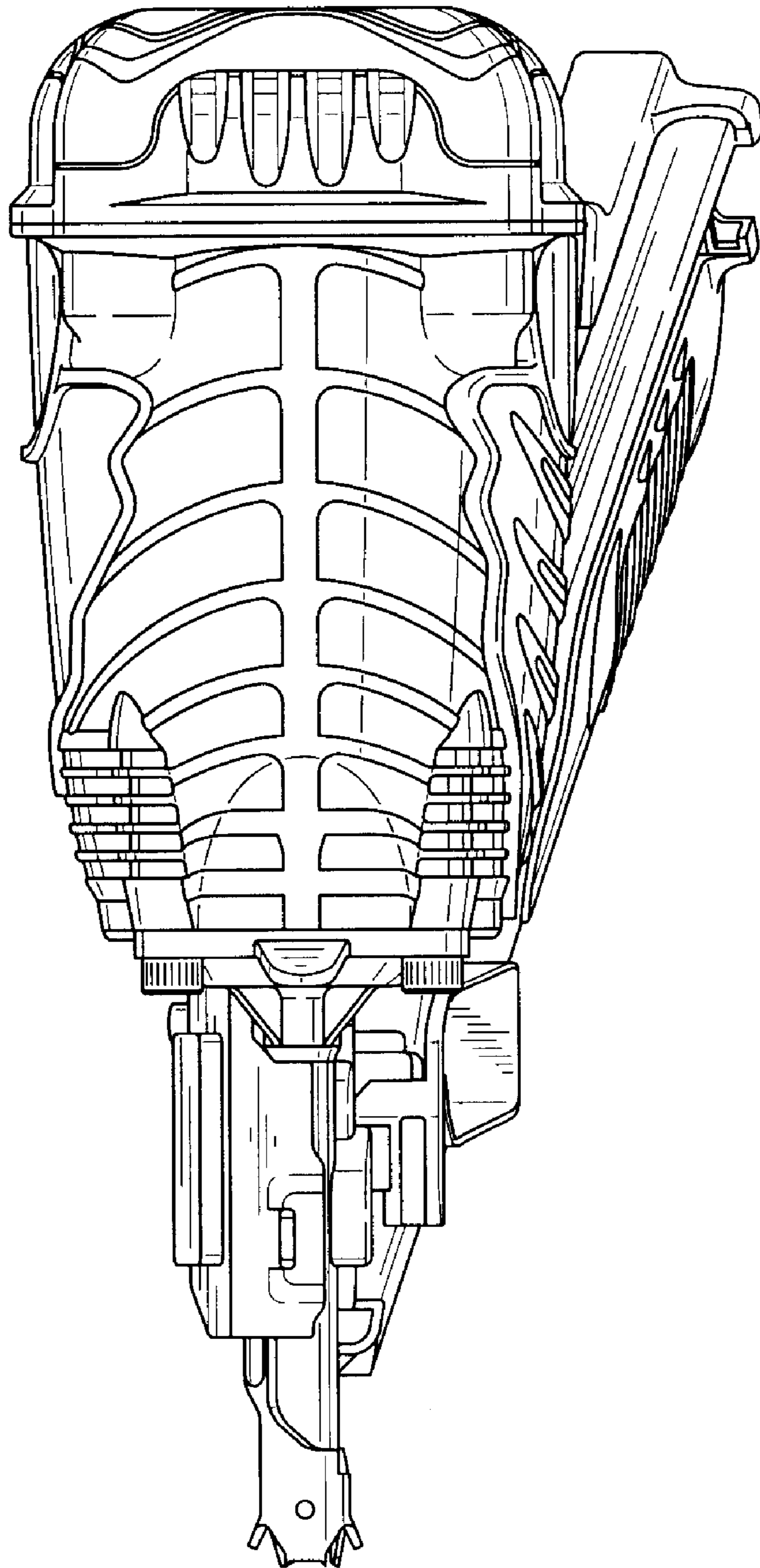


FIG. 6

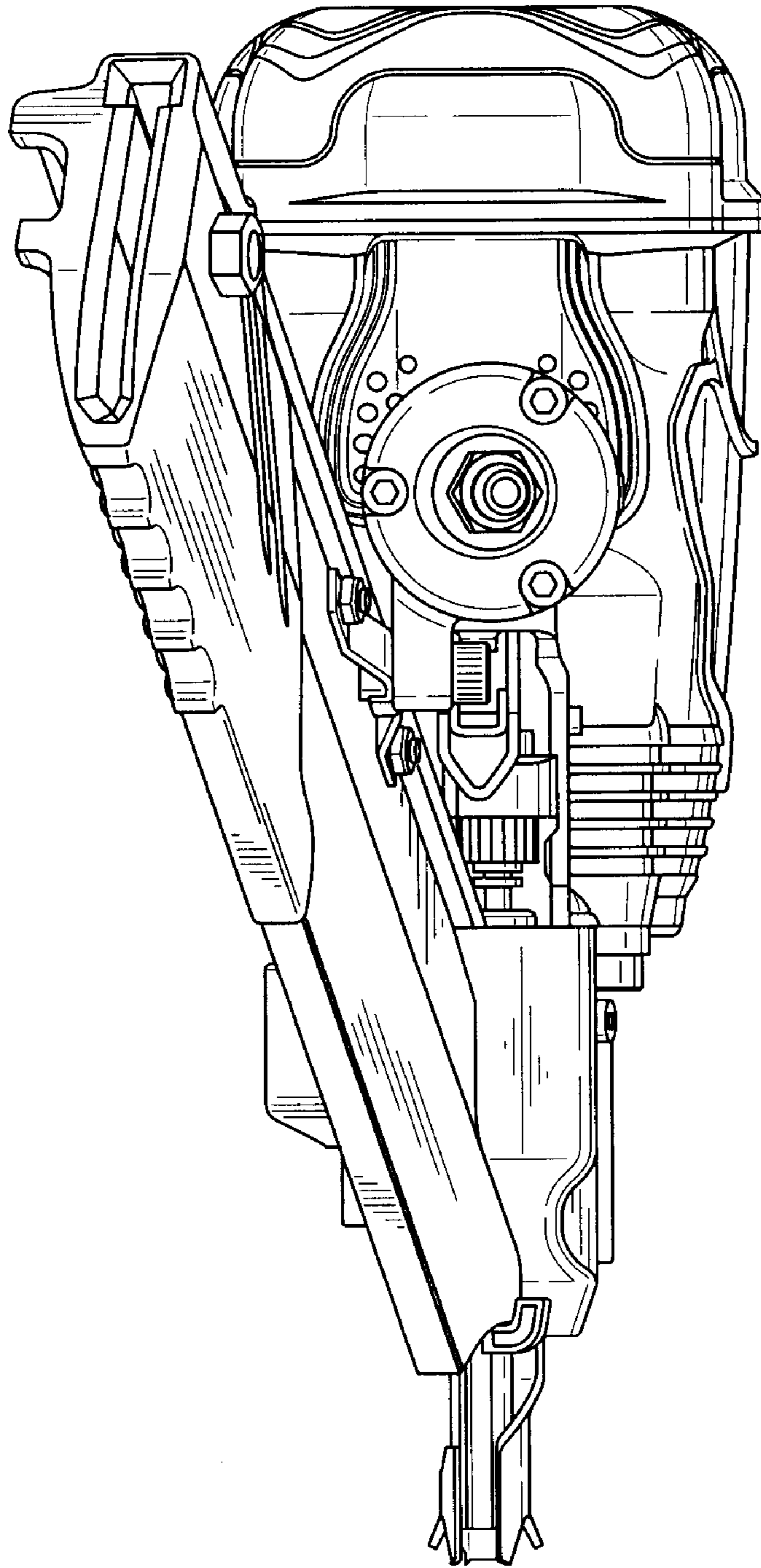
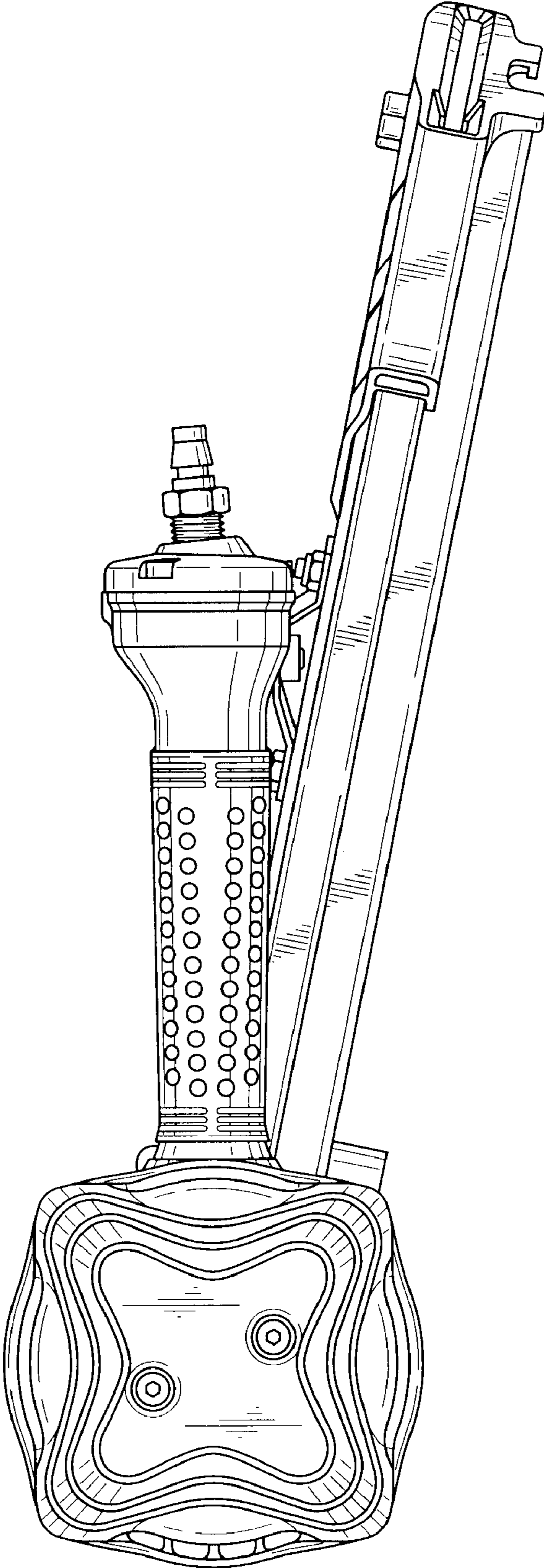


FIG. 7



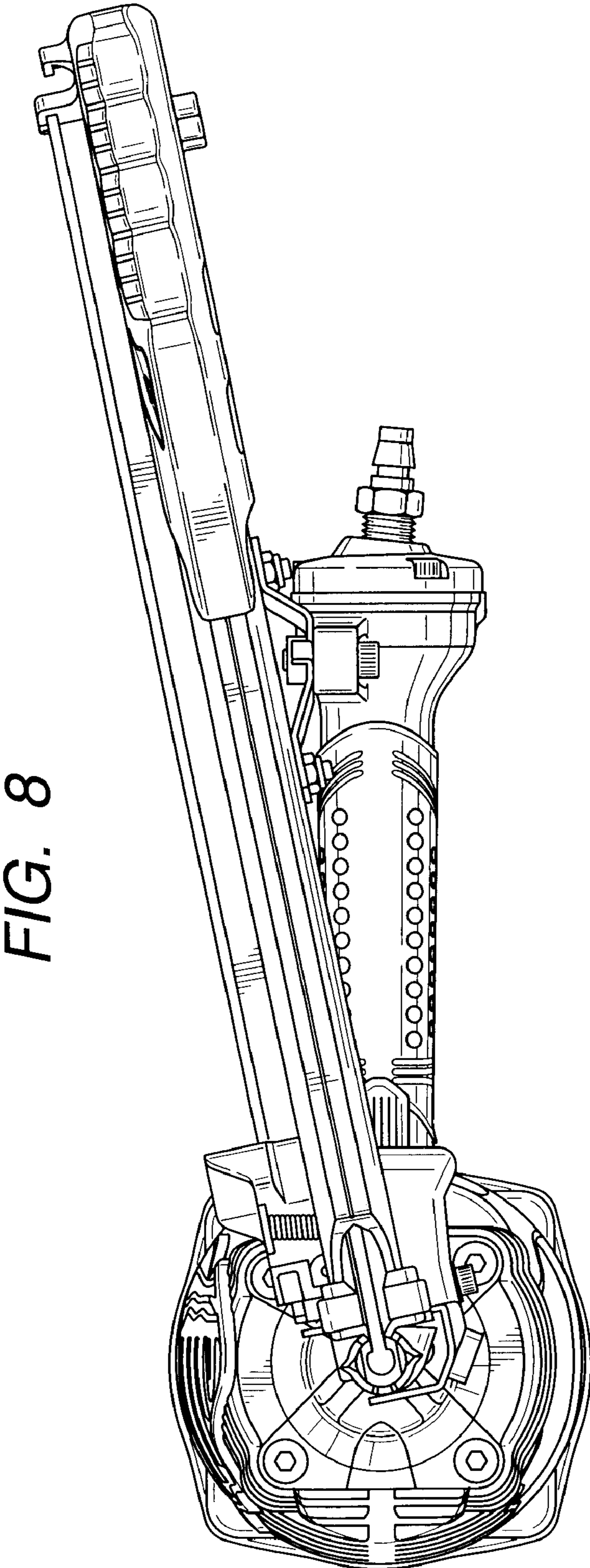


FIG. 8