



US00D519808S

(12) **United States Design Patent** (10) **Patent No.:** **US D519,808 S**
Otsuka et al. (45) **Date of Patent:** **** May 2, 2006**

(54) **PORTABLE ELECTRIC DRIVER**
 (75) Inventors: **Hiroshi Otsuka**, Anjo (JP); **Yuji Yamamoto**, Anjo (JP); **Shinsuke Okuda**, Anjo (JP)
 (73) Assignee: **Makita Corporation**, Anjo (JP)
 (**) Term: **14 Years**

D493,344 S * 7/2004 Watson D8/68
 D494,435 S * 8/2004 Hayakawa et al. D8/68
 D499,624 S * 12/2004 Concari et al. D8/68
 D499,945 S * 12/2004 Sugawara et al. D8/68
 6,860,342 B1 * 3/2005 Wu et al. 173/217
 6,883,621 B1 * 4/2005 Lin 173/217
 D508,642 S * 8/2005 Kokawa et al. D8/68
 2002/0122707 A1 * 9/2002 Sakai et al. 408/241 R
 2003/0159843 A1 * 8/2003 Sakai et al. 173/217
 2005/0022638 A1 * 2/2005 Milbourne et al. 81/466
 2005/0121209 A1 * 6/2005 Shimizu et al. 173/217
 2005/0155778 A1 * 7/2005 Ishida et al. 173/217

(21) Appl. No.: **29/234,910**
 (22) Filed: **Jul. 26, 2005**

FOREIGN PATENT DOCUMENTS

(30) **Foreign Application Priority Data**
 Jan. 31, 2005 (JP) 2005-002472
 Jan. 31, 2005 (JP) 2005-002473

JP S 1158194 9/2002

* cited by examiner

(51) **LOC (8) Cl.** **08-05**
 (52) **U.S. Cl.** **D8/68**
 (58) **Field of Classification Search** D8/14.1,
 D8/61, 62, 63, 64, 65, 66, 67, 68, 69, 70;
 81/57.11, 429, 464, 465, 466, 469, 489; 173/13,
 173/169, 178, 213, 217, 114, 201, 211; 227/8,
 227/114, 120, 130, 136, 142; 408/20, 124,
 408/125, 234, 241 R; 451/358; 310/50
 See application file for complete search history.

Primary Examiner—Gary D. Watson
Assistant Examiner—T. Chase Nelson
 (74) *Attorney, Agent, or Firm*—Oliff & Berridge, PLC

(57) **CLAIM**

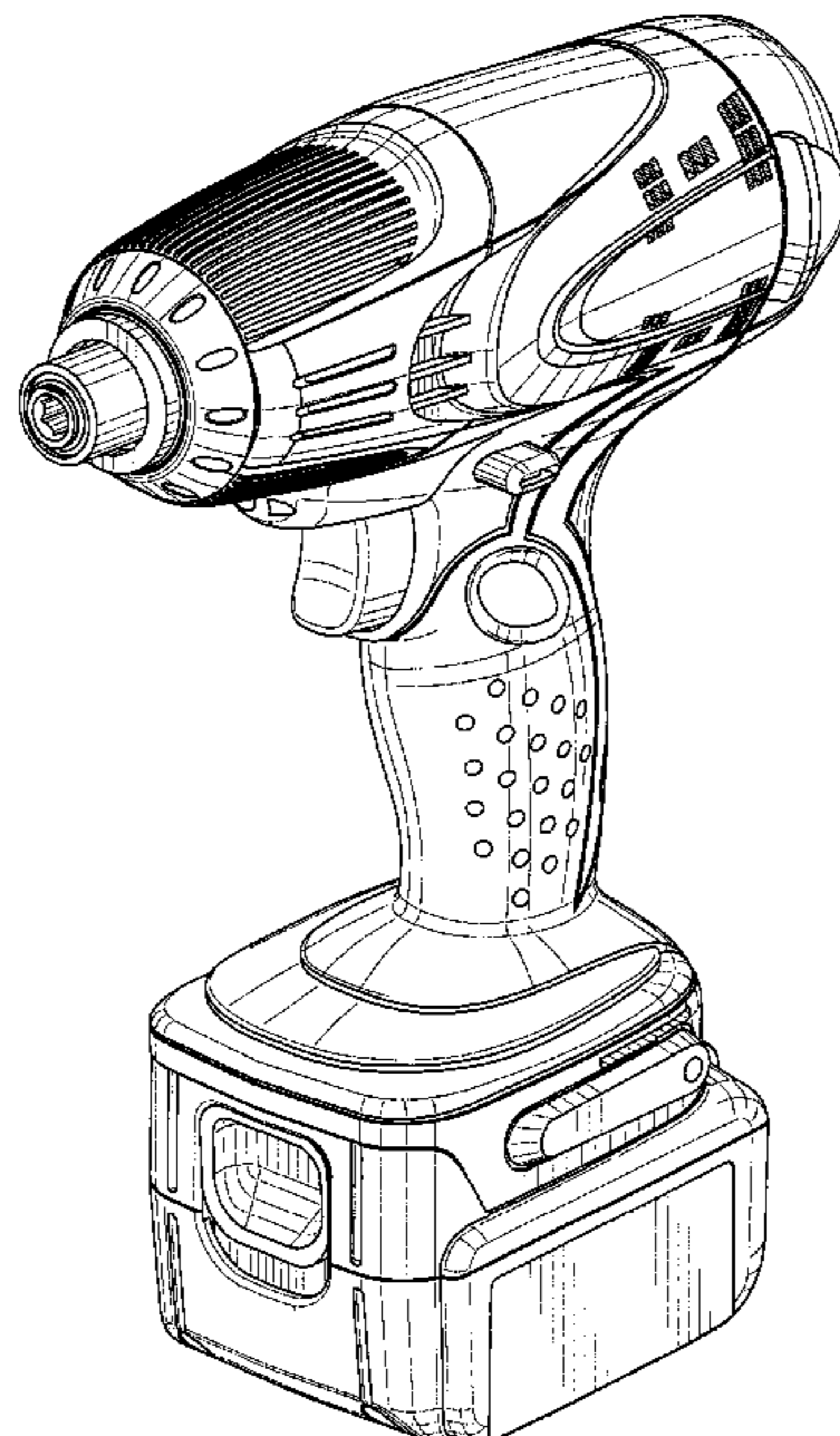
The ornamental design for a portable electric driver, as shown and described.

DESCRIPTION

FIG. 1 is a front and left side perspective view of a portable electric driver showing our new design;
 FIG. 2 is a front and right side perspective view thereof;
 FIG. 3 is a front elevation view thereof;
 FIG. 4 is a rear elevation view thereof;
 FIG. 5 is a left side elevation view thereof;
 FIG. 6 is a right side elevation view thereof;
 FIG. 7 is a top plan view thereof; and,
 FIG. 8 is a bottom plan view thereof.

(56) **References Cited**
 U.S. PATENT DOCUMENTS
 D392,863 S * 3/1998 Sugimoto et al. D8/68
 D424,902 S * 5/2000 Gildersleeve et al. D8/68
 D437,761 S * 2/2001 Okumura et al. D8/68
 D477,205 S * 7/2003 Sakai et al. D8/68
 D484,385 S * 12/2003 Sakai et al. D8/68
 D489,955 S * 5/2004 Concari et al. D8/68
 6,729,415 B1 * 5/2004 Huang 173/217
 6,745,883 B1 * 6/2004 Eto et al. 173/178

1 Claim, 6 Drawing Sheets



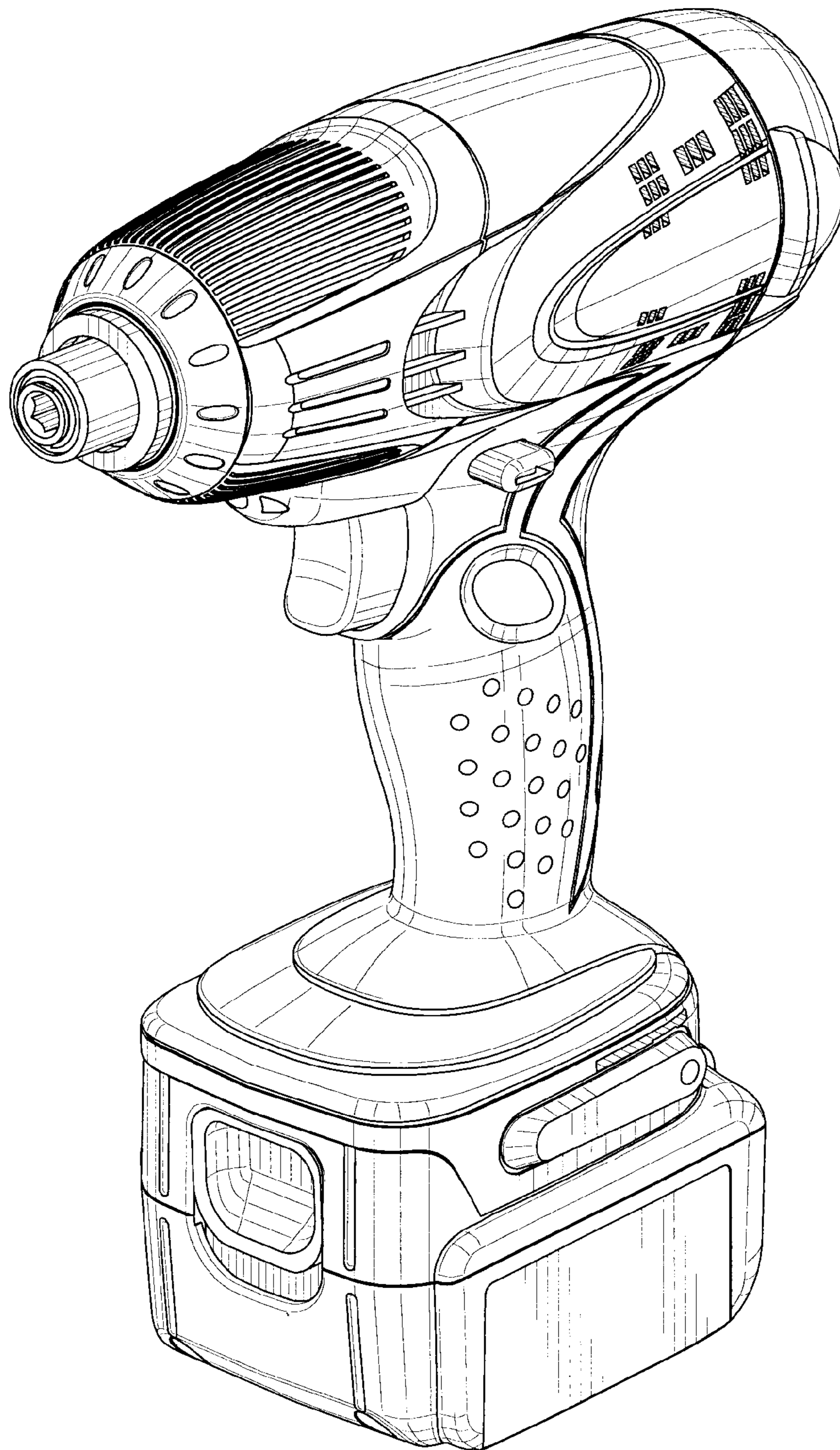


FIG. 1

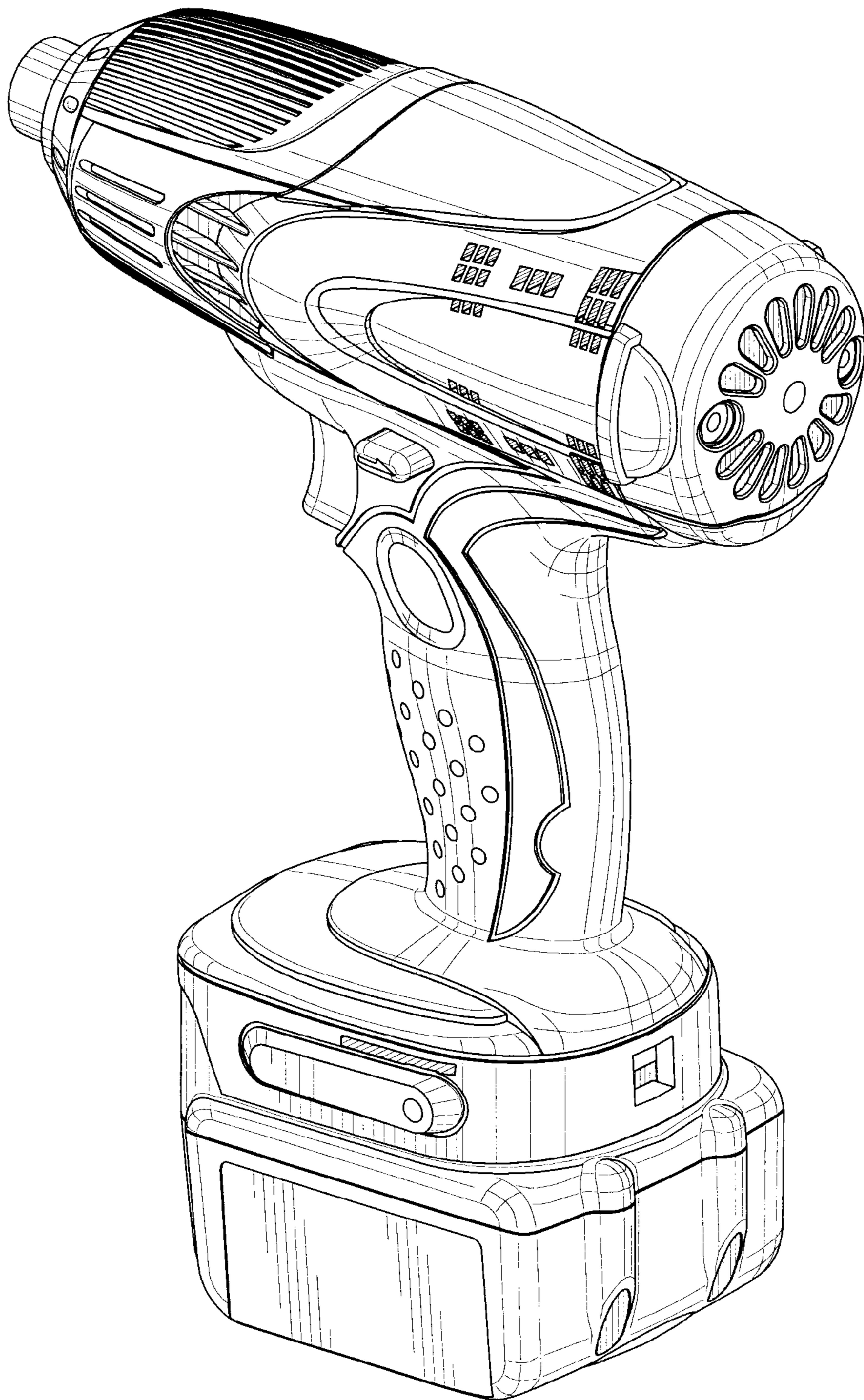


FIG. 2

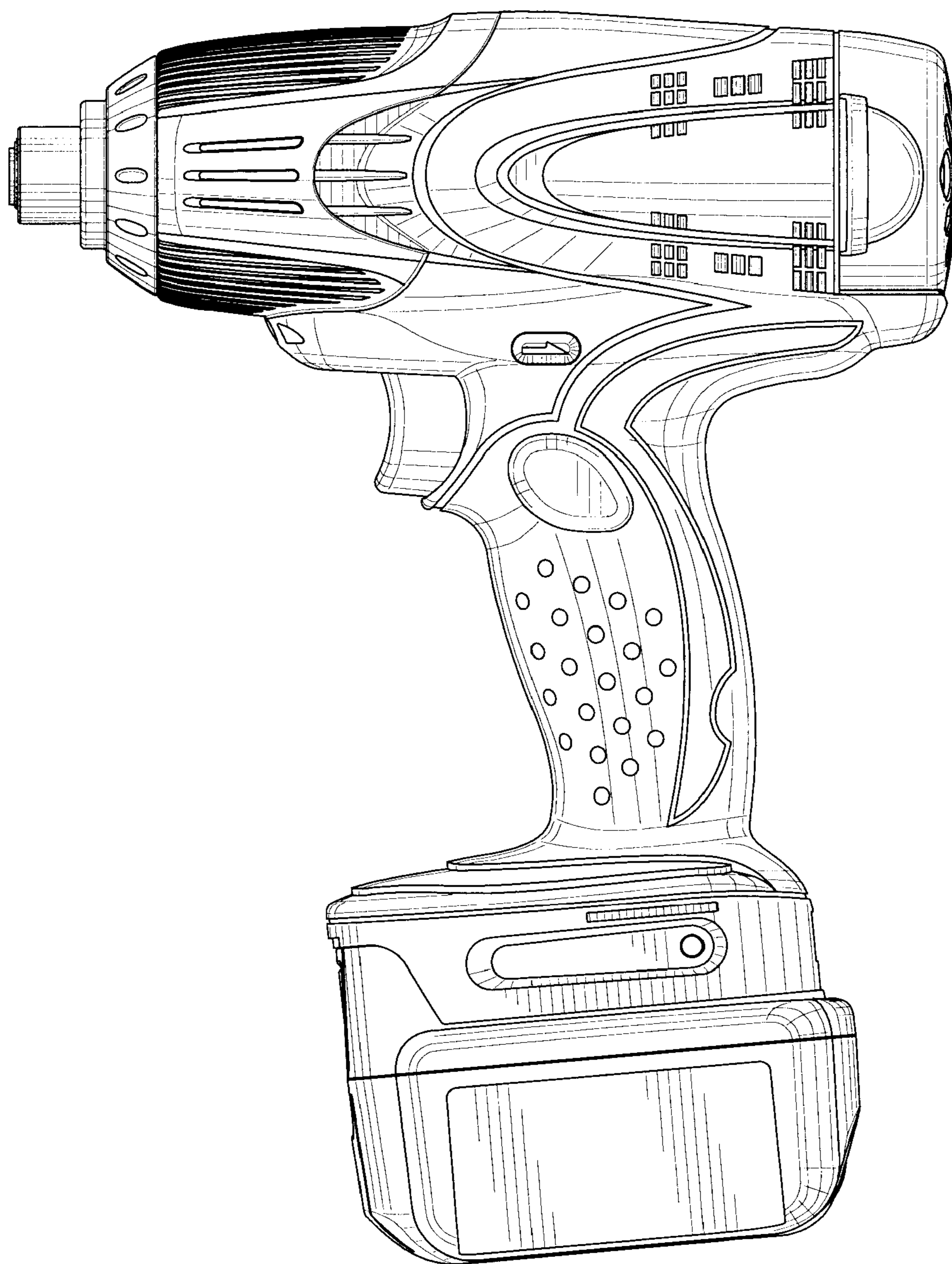


FIG. 3

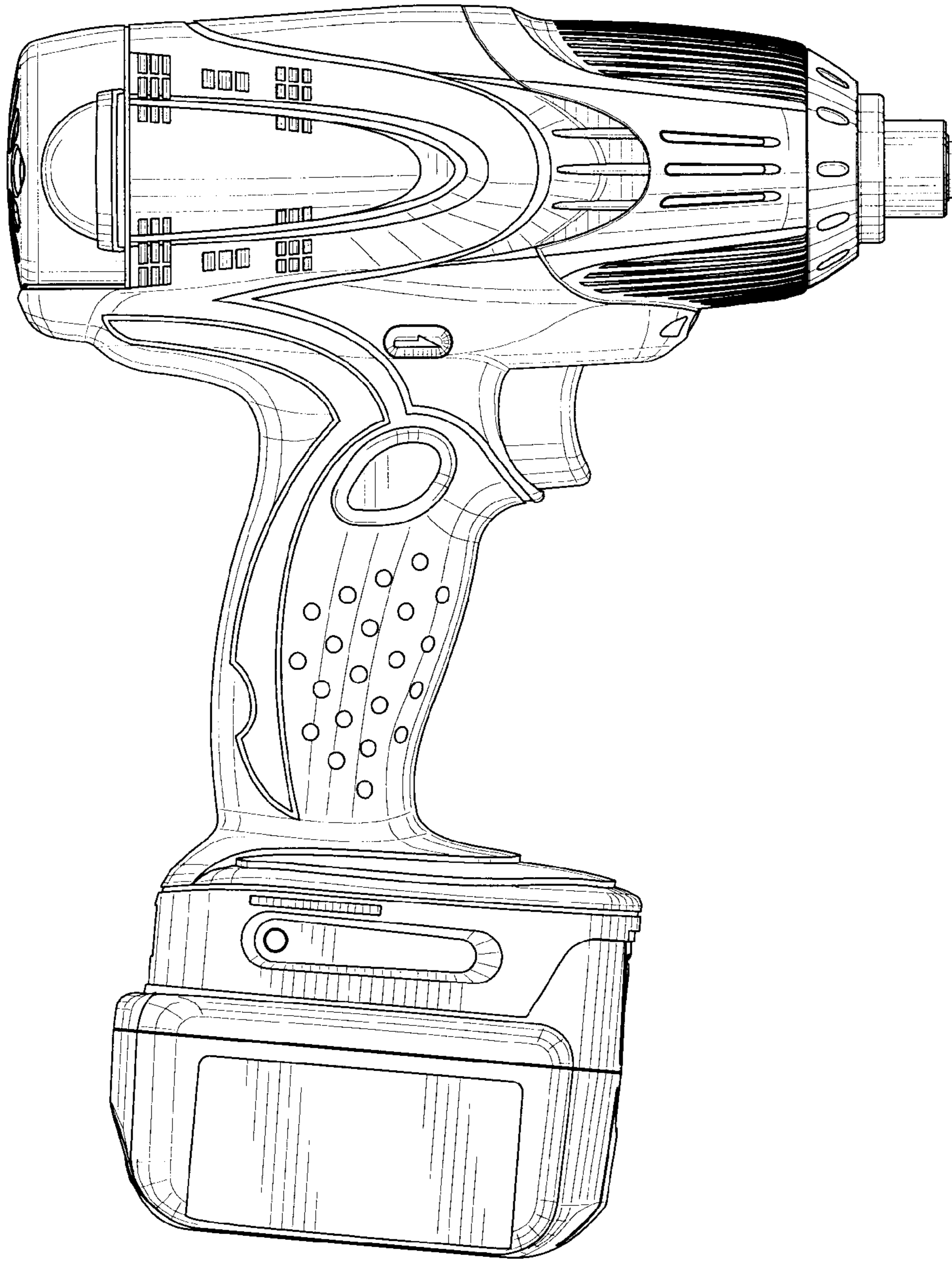


FIG. 4

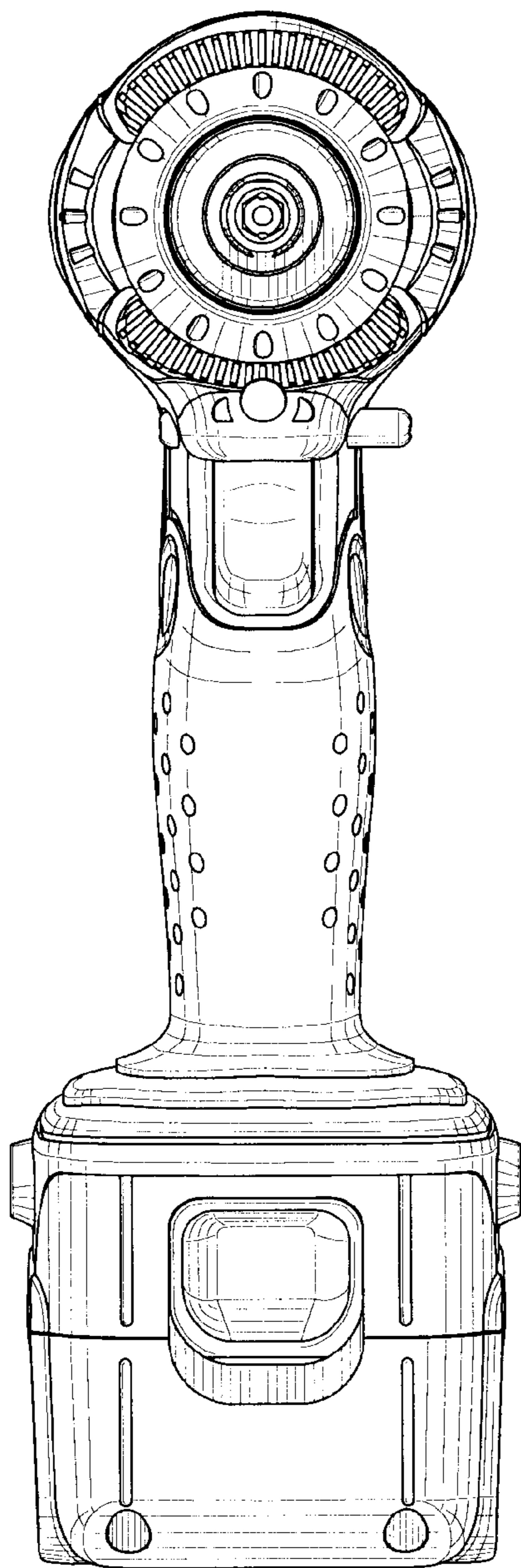


FIG. 5

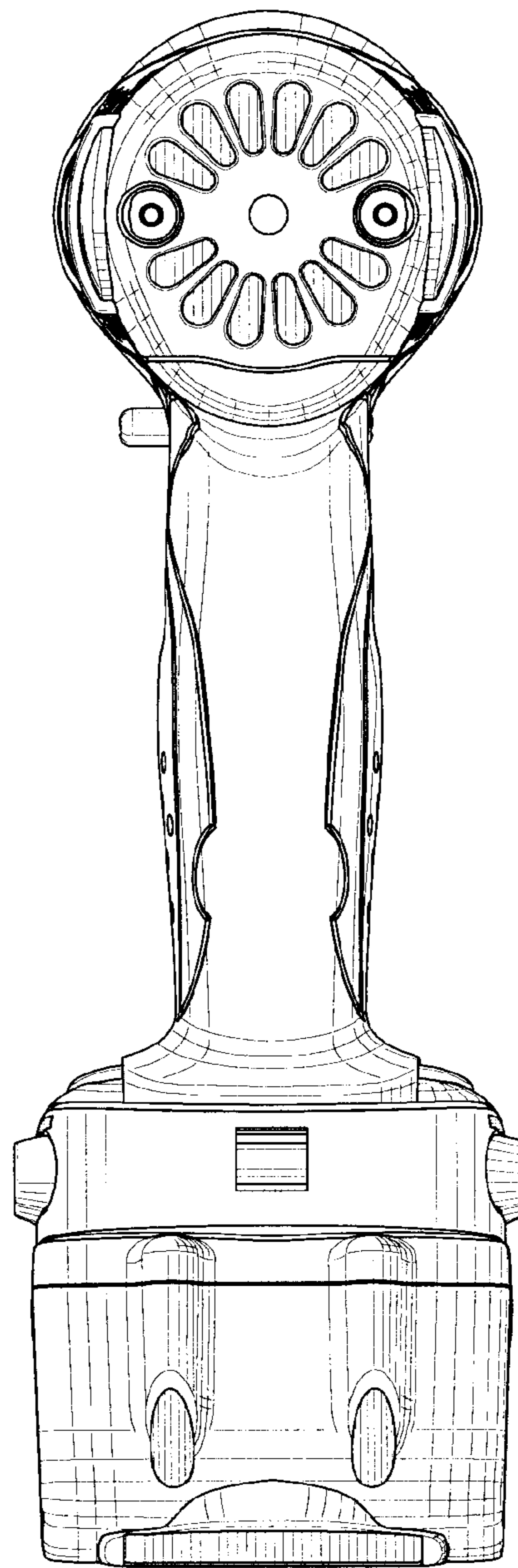


FIG. 6

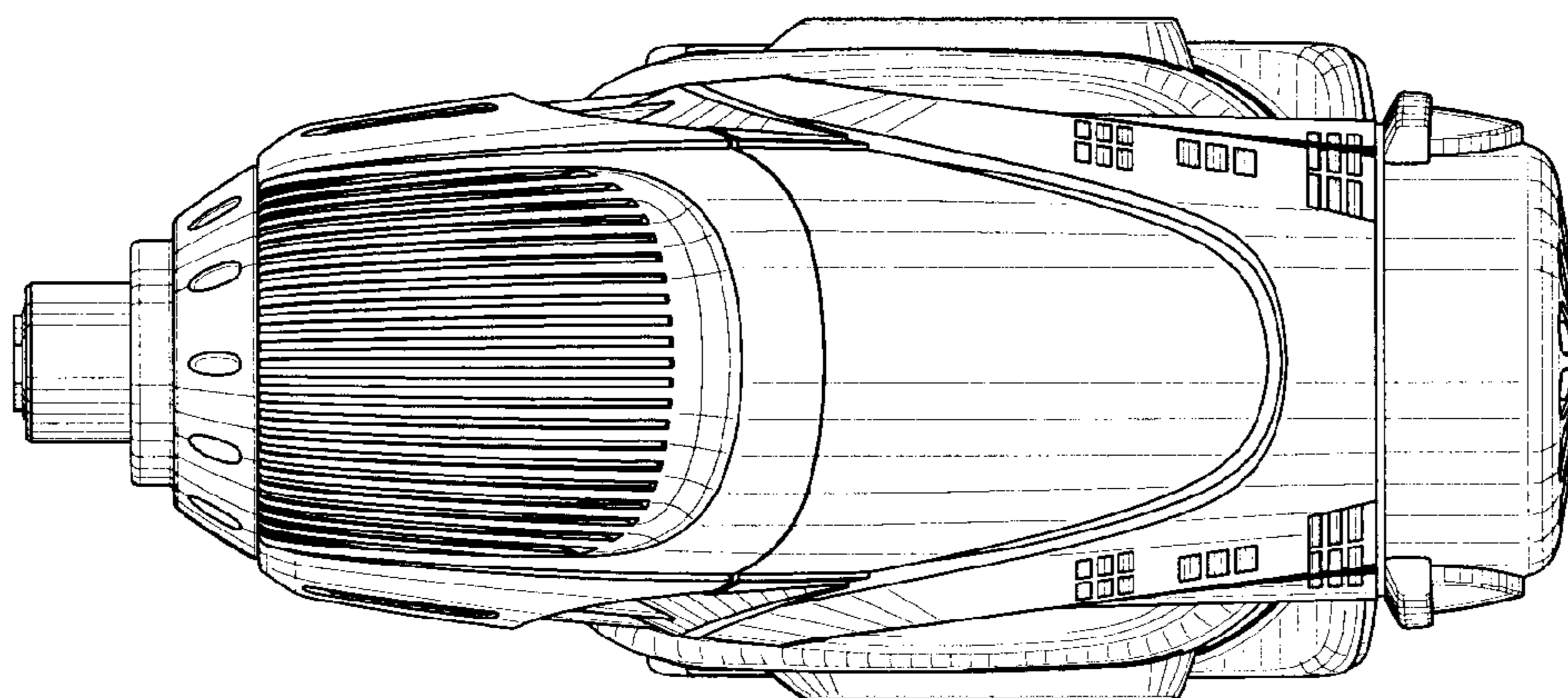


FIG. 7

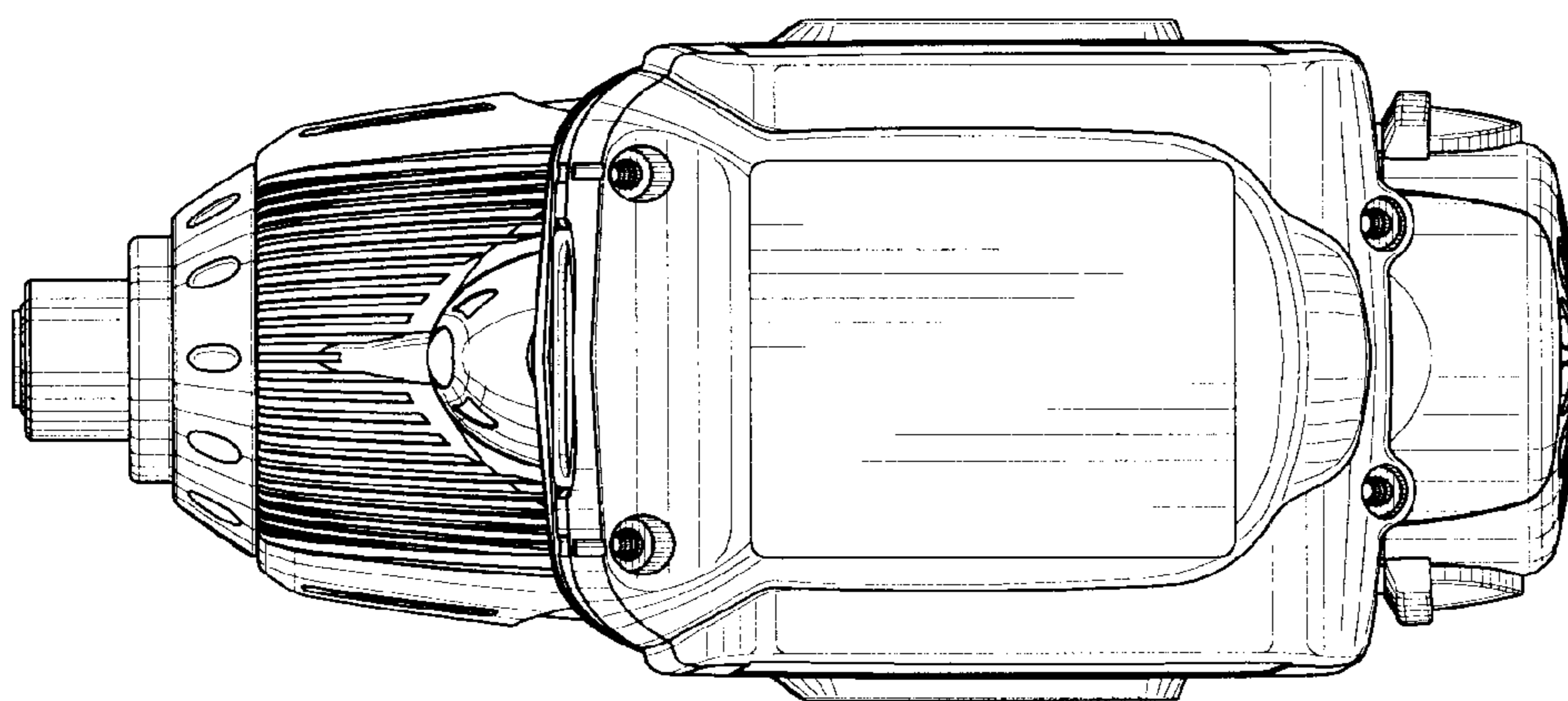


FIG. 8