

US00D519807S

(12) **United States Design Patent**
Chen

(10) **Patent No.:** **US D519,807 S**

(45) **Date of Patent:** **** May 2, 2006**

(54) **PNEUMATIC TOOL**

(75) Inventor: **Lung-Pao Chen**, Zhubei (TW)

(73) Assignee: **Sunmatch Industrial Co., Ltd.**, Zhubei (TW)

(**) Term: **14 Years**

(21) Appl. No.: **29/233,503**

(22) Filed: **Jul. 6, 2005**

(51) **LOC (8) Cl.** **08-05**

(52) **U.S. Cl.** **D8/68**

(58) **Field of Classification Search** D8/14.1,
D8/61, 62, 63, 64, 65, 66, 67, 68, 69, 70;
81/57.11, 429, 464, 465, 466, 469, 489; 173/13,
173/169, 178, 213, 217, 114, 201, 211; 227/8,
227/114, 120, 130, 136, 142; 408/20, 124,
408/125, 234, 241 R; 451/358; 310/50
See application file for complete search history.

(56) **References Cited**

U.S. PATENT DOCUMENTS

3,352,368	A	*	11/1967	Maffey, Jr.	310/50
D339,726	S	*	9/1993	Bruno et al.	D8/68
D388,678	S	*	1/1998	Bantly et al.	D8/68
D403,564	S	*	1/1999	Izumisawa	D8/68
D410,181	S	*	5/1999	Sung	D8/68
D410,830	S	*	6/1999	Pusateri et al.	D8/68
5,918,686	A	*	7/1999	Izumisawa	173/169
6,062,323	A	*	5/2000	Pusateri et al.	173/169
D434,297	S	*	11/2000	Iritani et al.	D8/68
D434,298	S	*	11/2000	Izumisawa	D8/68
D434,958	S	*	12/2000	Izumisawa	D8/68
6,158,459	A	*	12/2000	Chang	81/489
D436,818	S	*	1/2001	Izumisawa	D8/68
D437,760	S	*	2/2001	Izumisawa	D8/68
D441,628	S	*	5/2001	Bass et al.	D8/68
6,338,389	B1	*	1/2002	Chang	173/169
D458,824	S	*	6/2002	Chen	D8/68

D461,110	S	*	8/2002	Izumisawa	D8/68
D472,782	S	*	4/2003	Pusateri et al.	D8/68
D476,210	S	*	6/2003	Chen	D8/68
D477,512	S	*	7/2003	Liu et al.	D8/68
D477,761	S	*	7/2003	Liu et al.	D8/68
D477,977	S	*	8/2003	Liu	D8/68
D482,947	S	*	12/2003	Lin	D8/68
6,672,183	B1	*	1/2004	Johnson	81/466
D489,240	S	*	5/2004	Bartfeld et al.	D8/68
D493,085	S	*	7/2004	Copeland et al.	D8/68
D496,243	S	*	9/2004	Huang	D8/68
D497,529	S	*	10/2004	Price	D8/68
D497,787	S	*	11/2004	Liao	D8/68
6,880,645	B1	*	4/2005	Izumisawa	173/169
D507,732	S	*	7/2005	Nowak et al.	D8/68
D508,836	S	*	8/2005	Schiller et al.	D8/68
2002/0125021	A1	*	9/2002	Tseng	173/169
2002/0152848	A1	*	10/2002	Johnson	81/465
2003/0010513	A1	*	1/2003	Taga	173/169

* cited by examiner

Primary Examiner—Gary D. Watson

Assistant Examiner—T. Chase Nelson

(74) *Attorney, Agent, or Firm*—Birch, Stewart, Kolasch & Birch, LLP

(57) **CLAIM**

The ornamental design for “pneumatic tool,” as shown and described.

DESCRIPTION

FIG. 1 is a perspective of “pneumatic tool” showing my new design thereof;

FIG. 2 is a right side elevational view thereof;

FIG. 3 is a top plan view thereof;

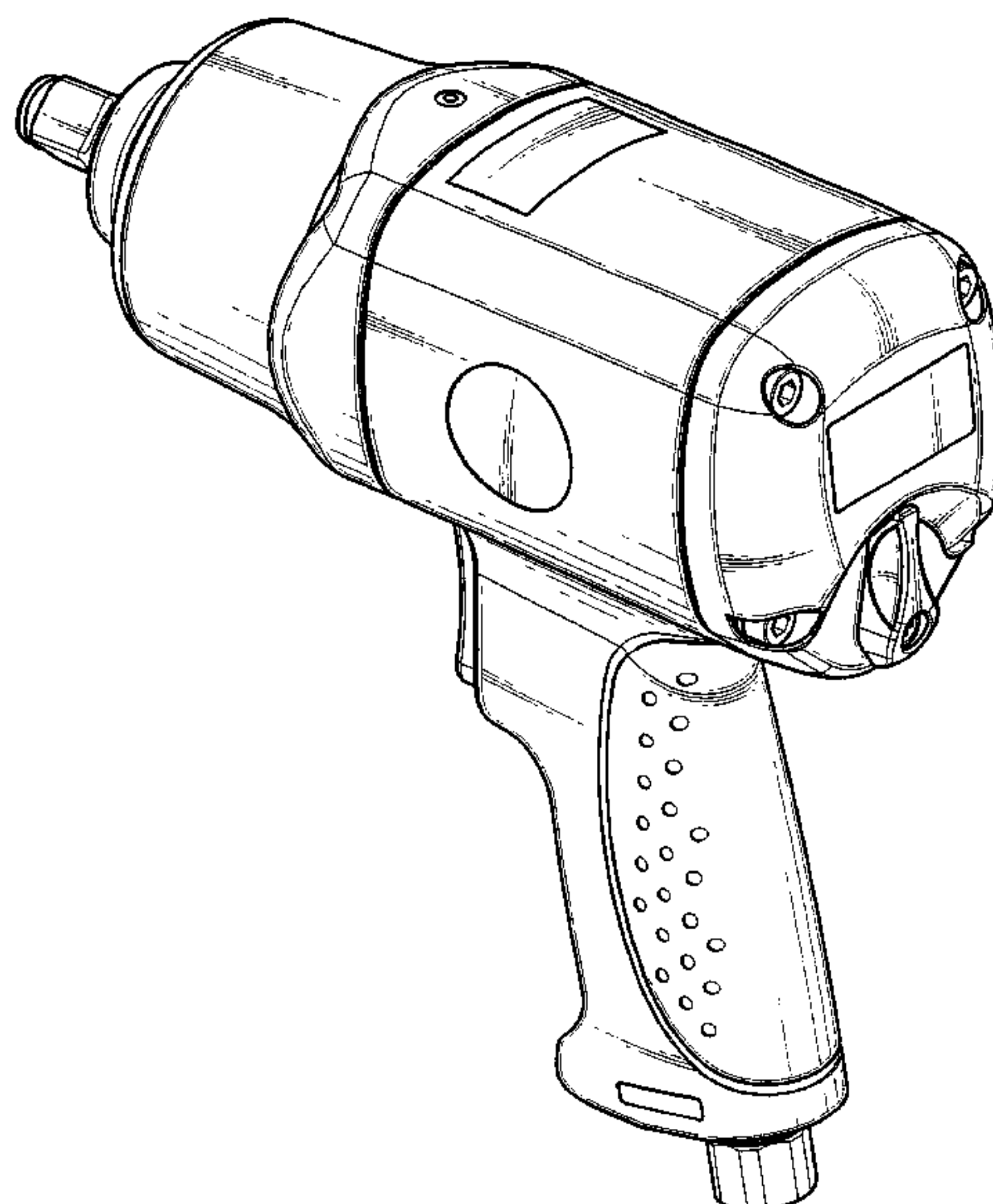
FIG. 4 is a front side elevational view thereof;

FIG. 5 is a bottom plan view thereof;

FIG. 6 is a left side elevational view thereof; and,

FIG. 7 is a rear side elevational view thereof.

1 Claim, 4 Drawing Sheets



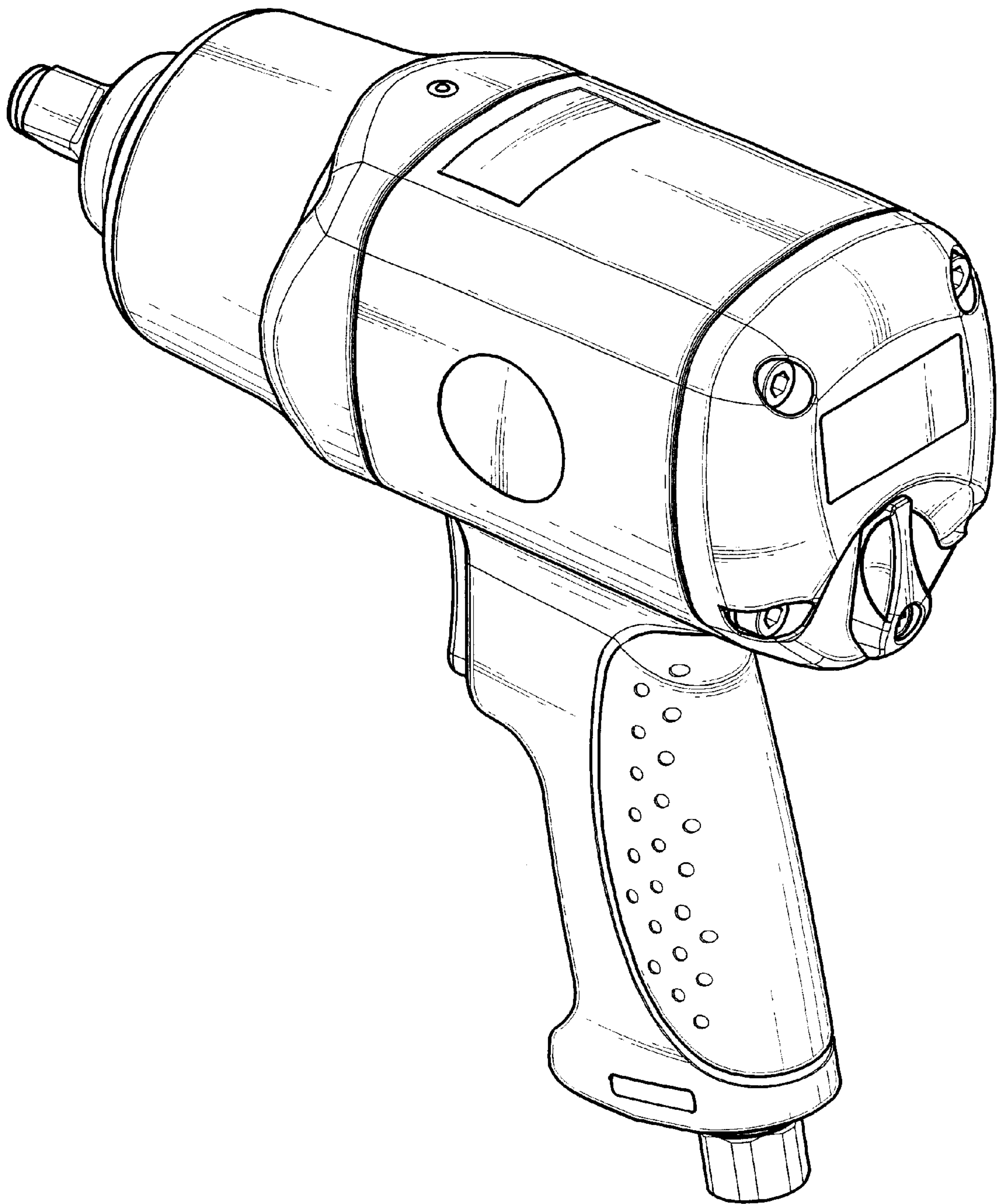


Fig. 1

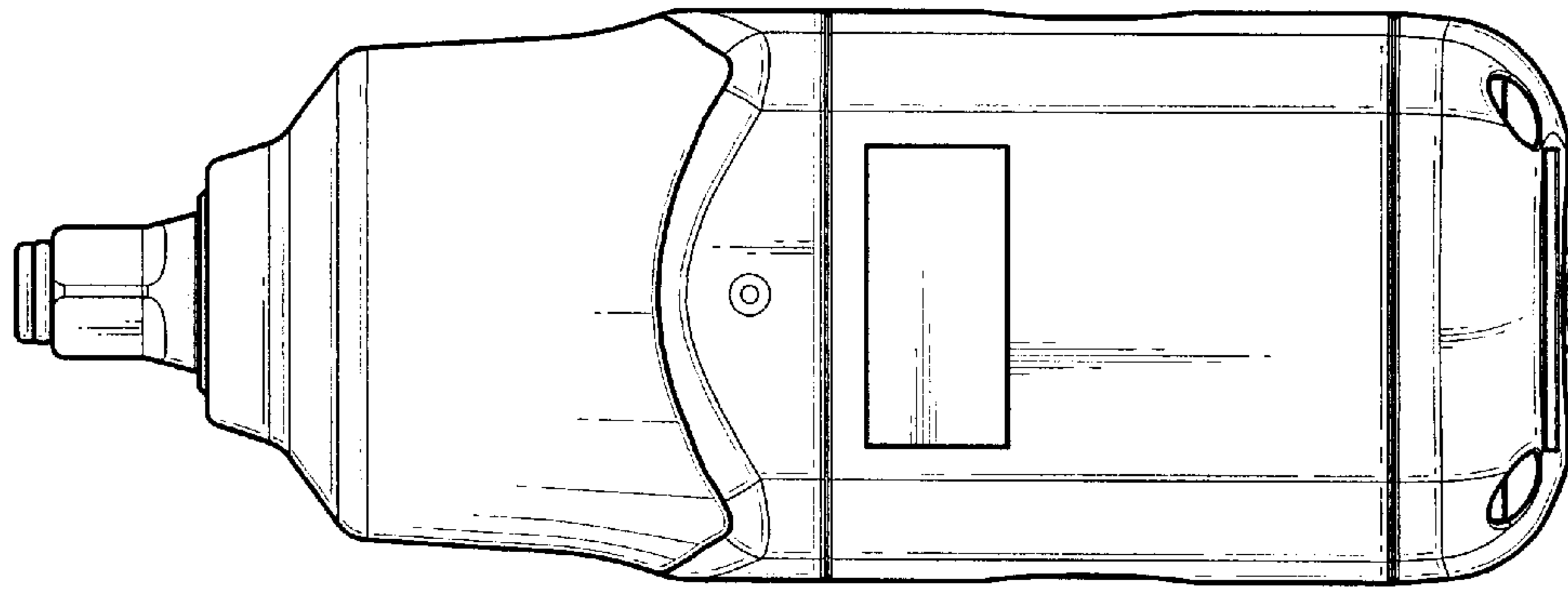


Fig. 3

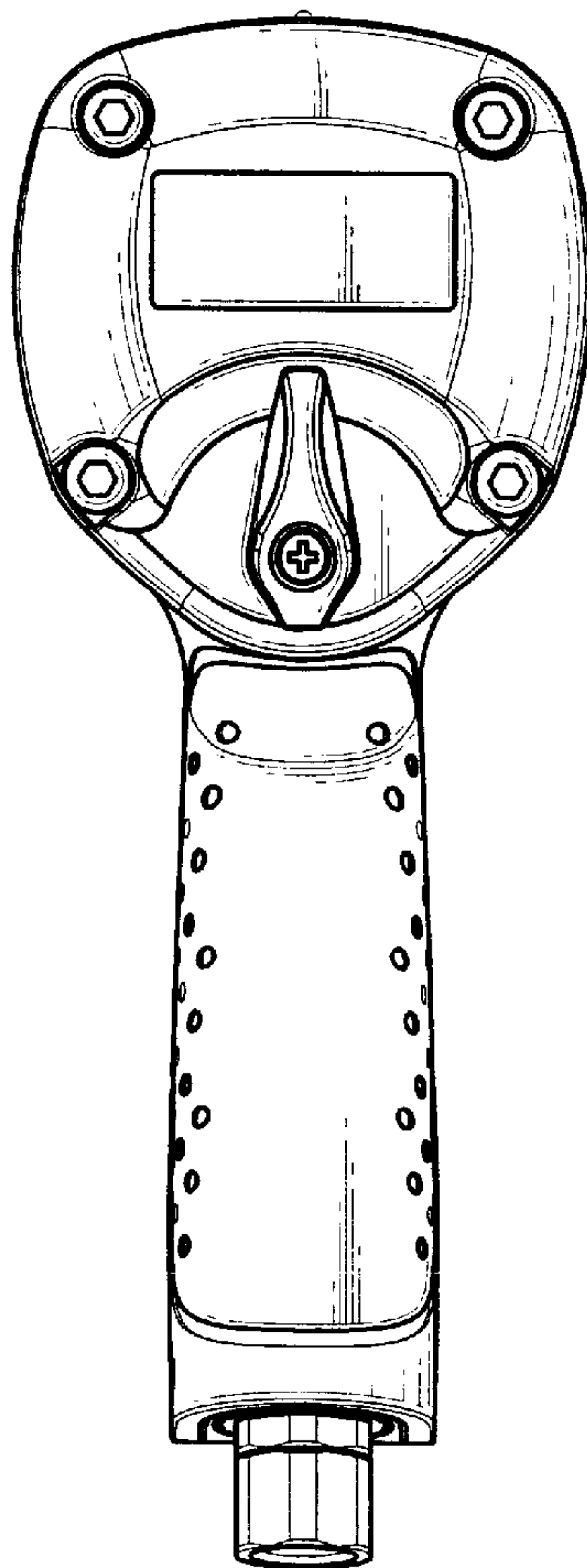


Fig. 2

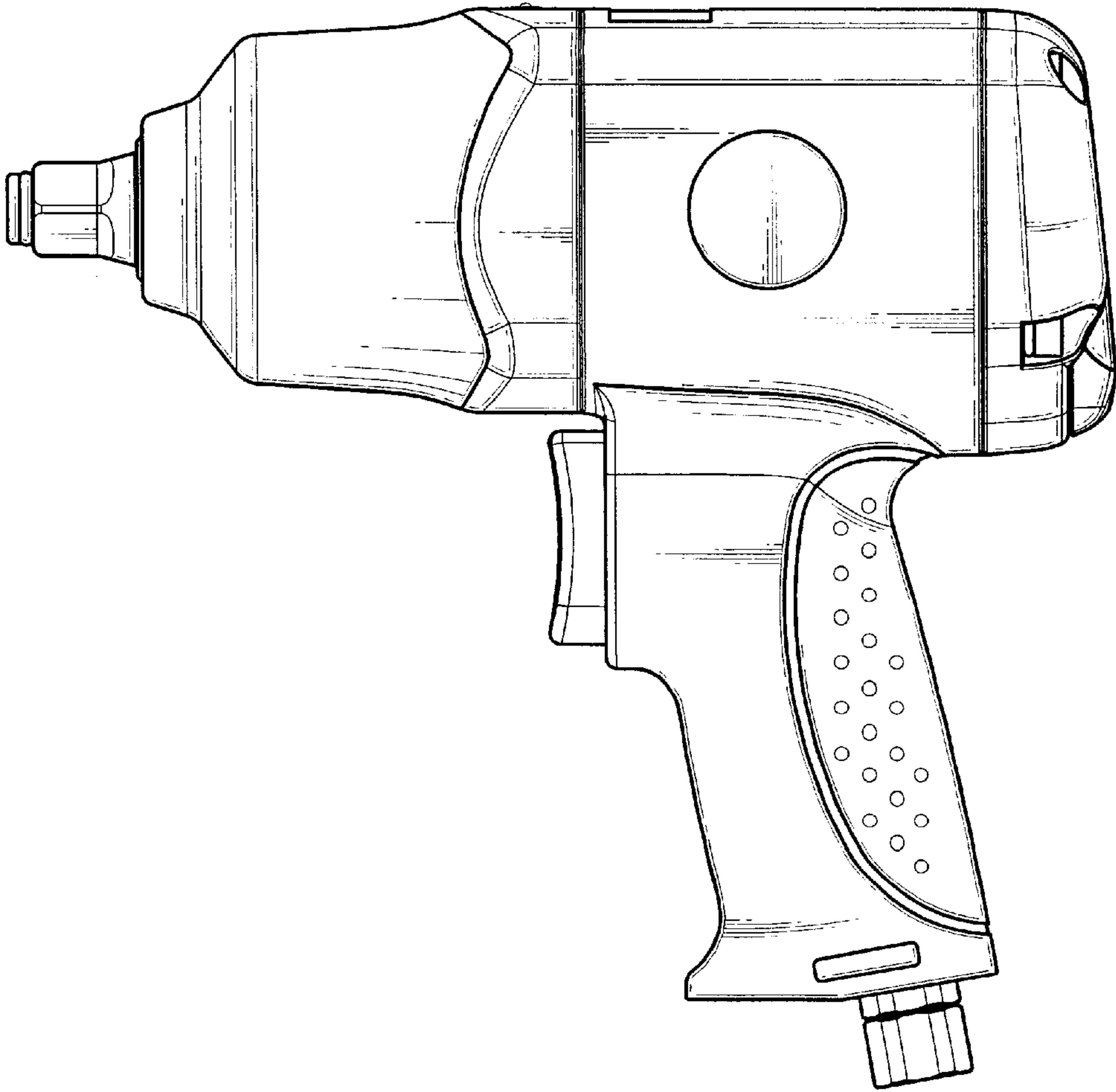


Fig.4

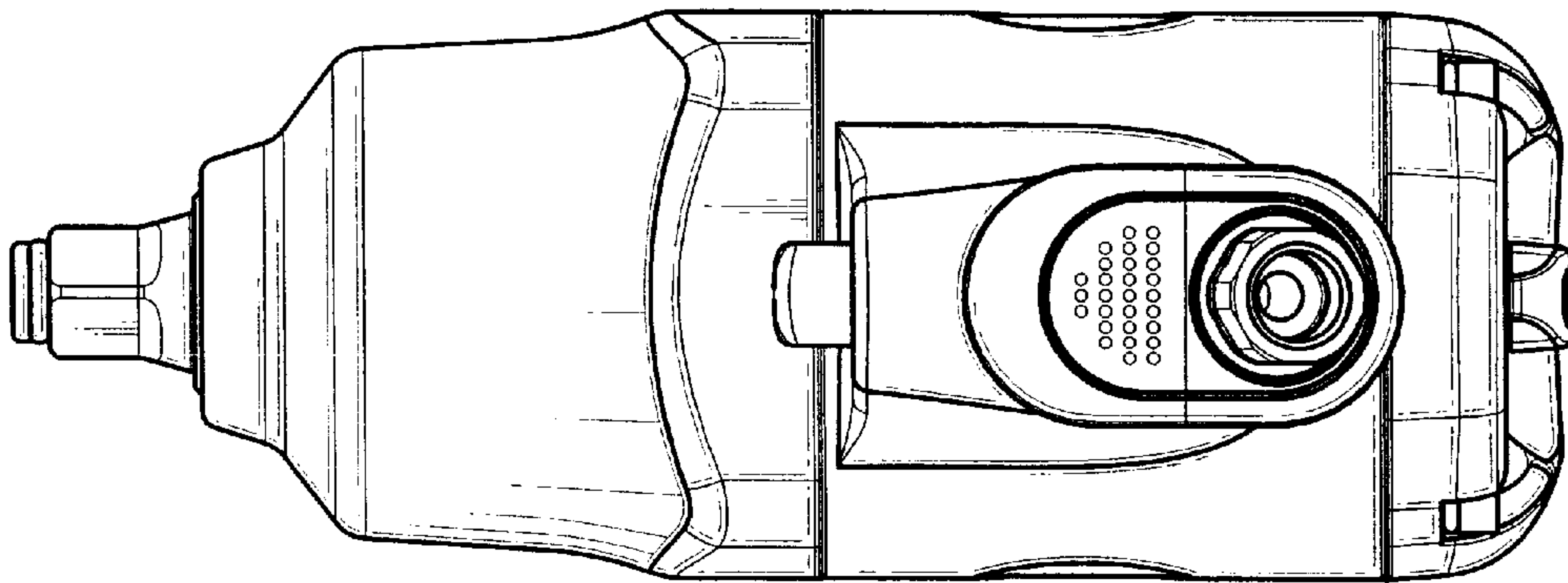


Fig.5

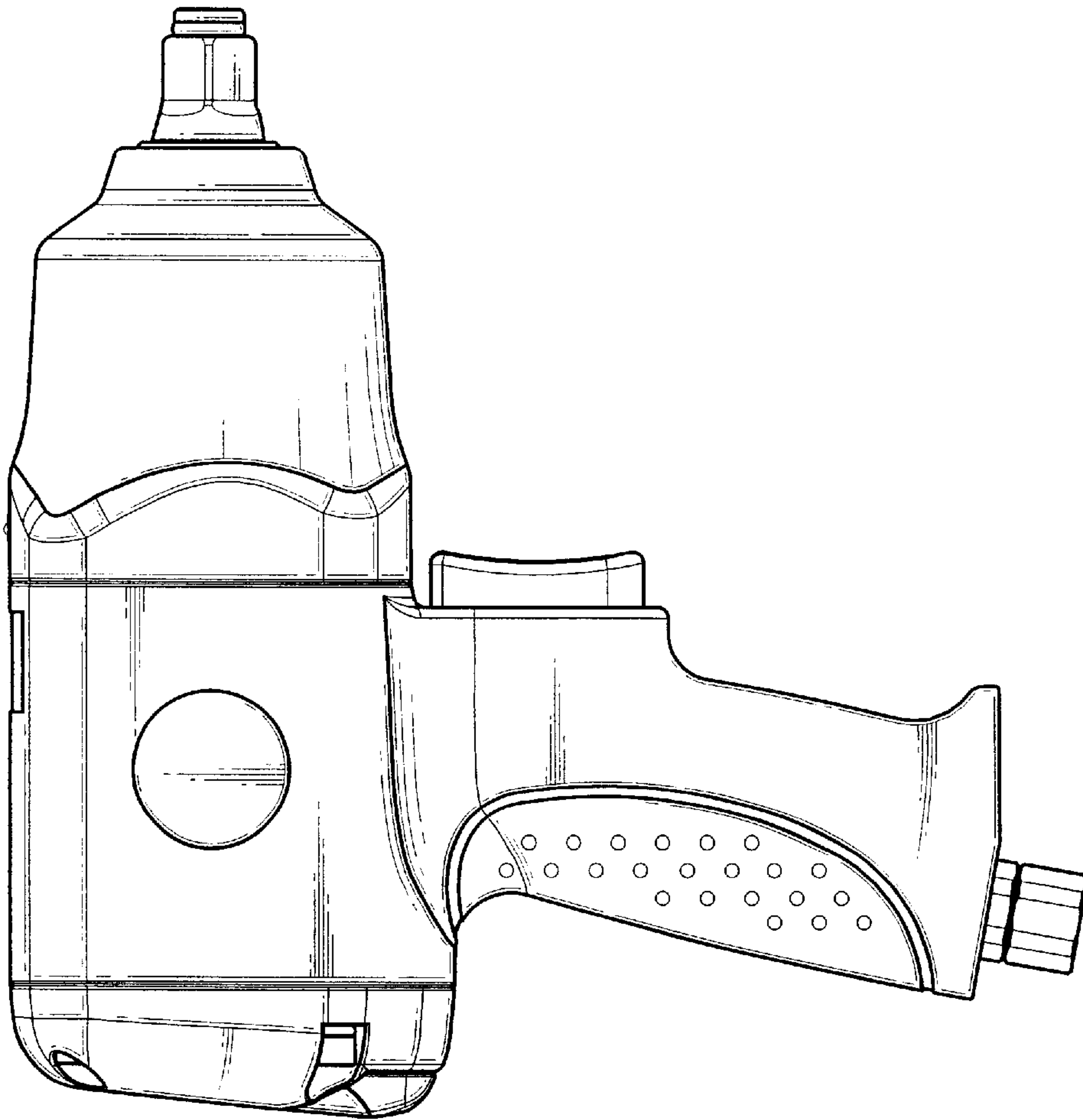


Fig. 7

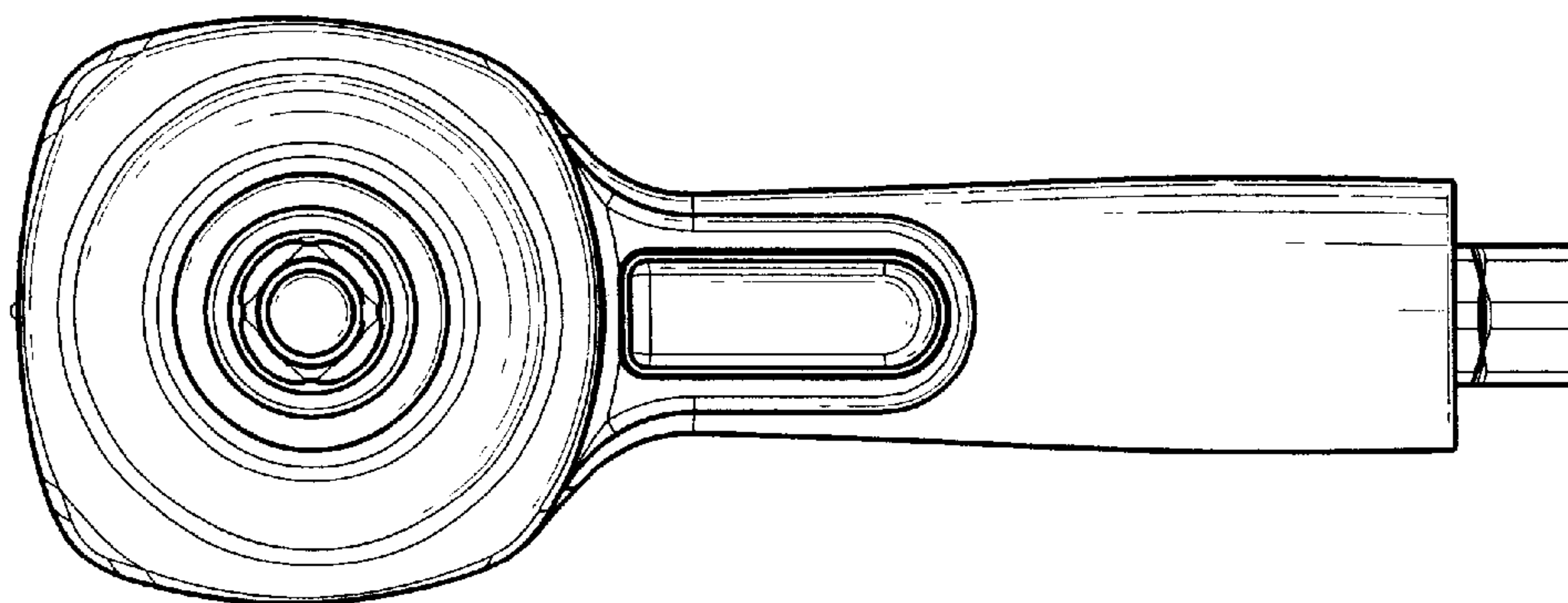


Fig. 6