



US00D519806S

(12) **United States Design Patent**
Waldron

(10) **Patent No.:** **US D519,806 S**

(45) **Date of Patent:** **** May 2, 2006**

(54) **JIG SAW**

(75) Inventor: **Michael Waldron**, County Durham
(GB)

(73) Assignee: **GMCA PTY Limited** (AU)

(**) Term: **14 Years**

(21) Appl. No.: **29/231,981**

(22) Filed: **Jun. 13, 2005**

(30) **Foreign Application Priority Data**

Mar. 9, 2005 (AU) 10901/2005

(51) **LOC (8) Cl.** **08-03**

(52) **U.S. Cl.** **D8/64**

(58) **Field of Classification Search** D8/69,
D8/68, 67, 66, 64, 61; 83/747, 699.21; 310/50;
30/394, 393, 392, 391, 390, 377, 376; 173/217,
173/216

See application file for complete search history.

(56) **References Cited**

U.S. PATENT DOCUMENTS

- 3,087,519 A * 4/1963 McCarty et al. 30/376
- 5,205,043 A * 4/1993 Batt et al. 30/393
- D404,274 S * 1/1999 Ogasawara et al. D8/64
- D414,094 S * 9/1999 Heun D8/64
- D440,474 S * 4/2001 Heun D8/64

- D451,356 S * 12/2001 Pretzell D8/64
- D463,963 S * 10/2002 Metaxatos et al. D8/64
- D476,871 S * 7/2003 Santarsiero et al. D8/64
- D484,381 S * 12/2003 Yamada et al. D8/64
- 2002/0124419 A1 * 9/2002 Hirabayashi 30/329
- 2003/0167641 A1 * 9/2003 Teng 30/337
- 2003/0196338 A1 * 10/2003 Eto et al. 30/392
- 2005/0229408 A1 * 10/2005 Ngan et al. 30/376

* cited by examiner

Primary Examiner—Cathron C. Brooks

Assistant Examiner—Austin Murphy

(74) *Attorney, Agent, or Firm*—McKee, Voorhees & Sease,
P.L.C.

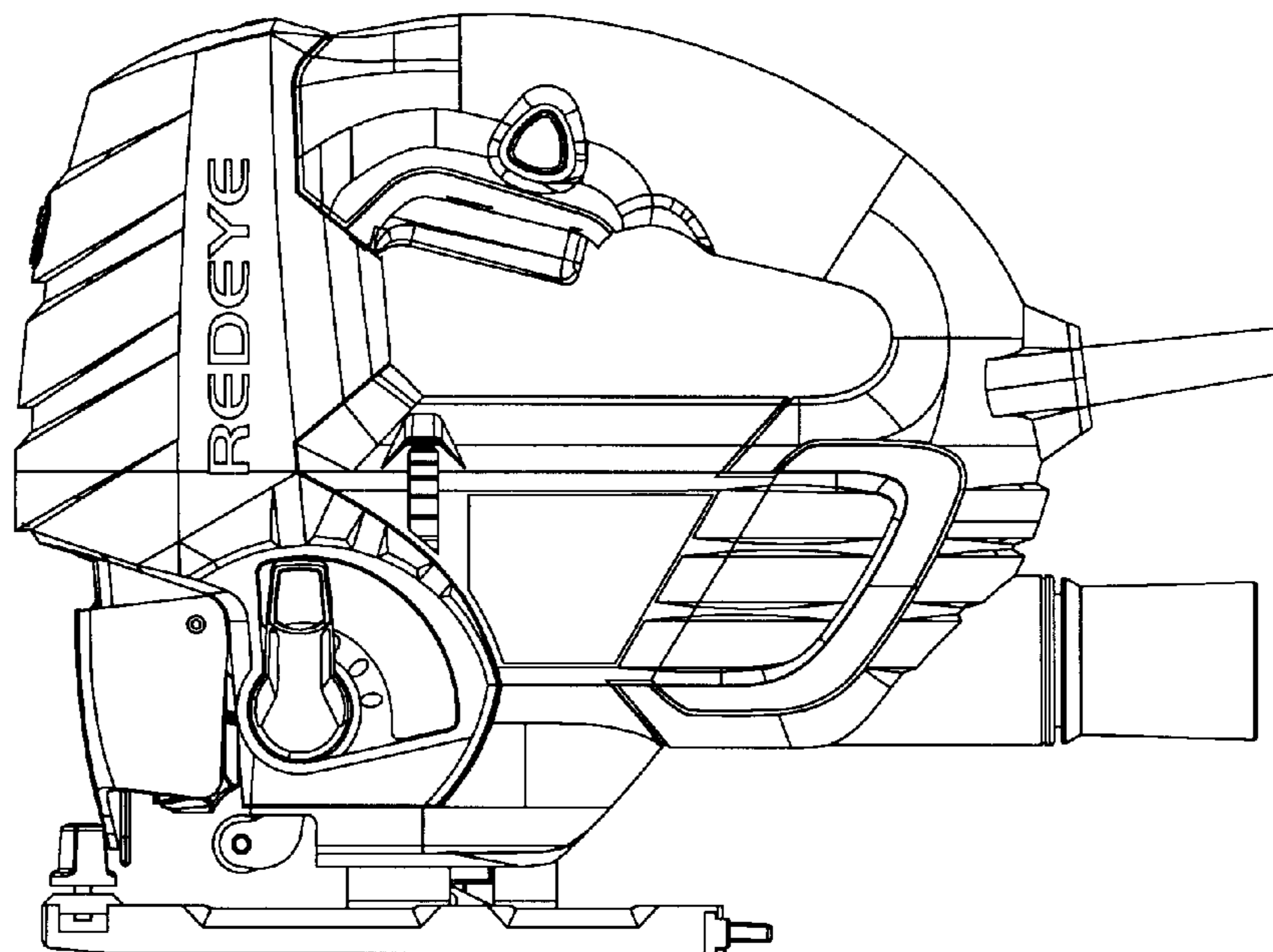
(57) **CLAIM**

I claim the ornamental design of a jig saw, substantially as shown.

DESCRIPTION

- FIG. 1 is a front view of the jig saw.
- FIG. 2 is a rear view of the jig saw.
- FIG. 3 is a side view of the jig saw.
- FIG. 4 is an opposite side view of the jig saw.
- FIG. 5 is a top view of the jig saw.
- FIG. 6 is a bottom view of the jig saw.
- FIG. 7 is a side perspective view of the jig saw; and,
- FIG. 8 is an opposite side perspective view of the jig saw.

1 Claim, 3 Drawing Sheets



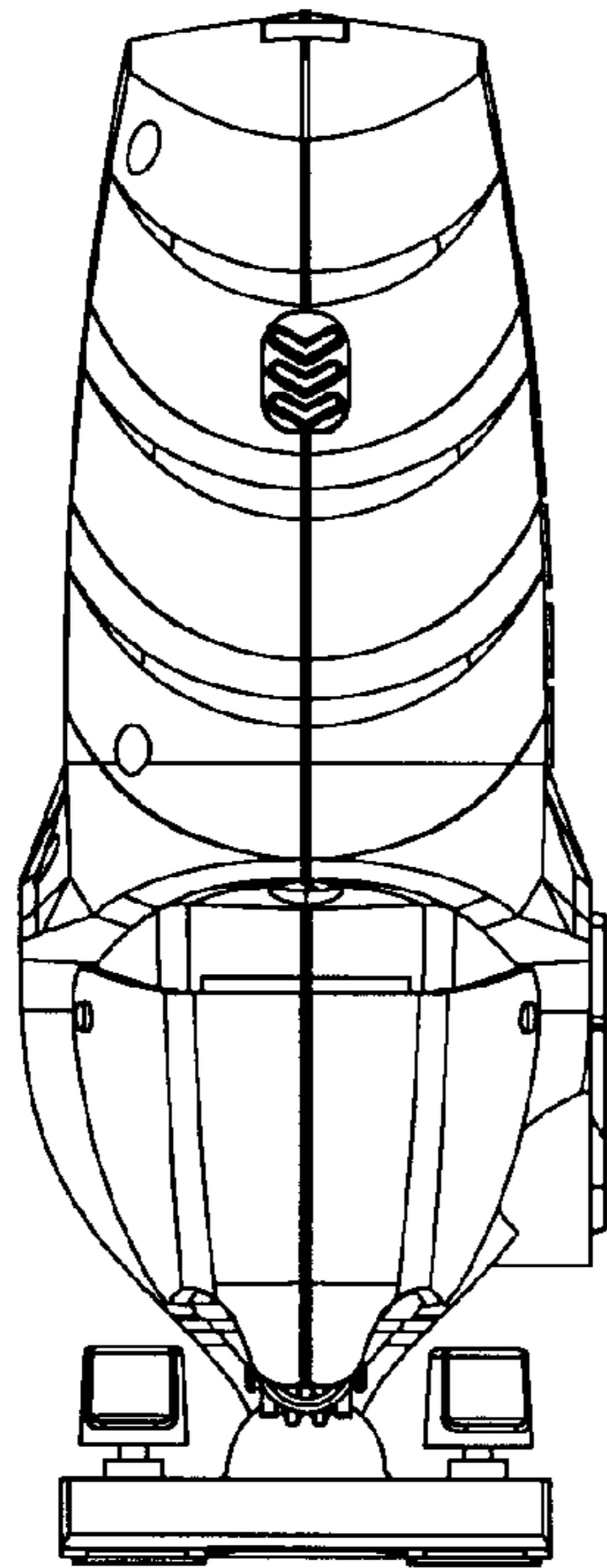


Fig. 1

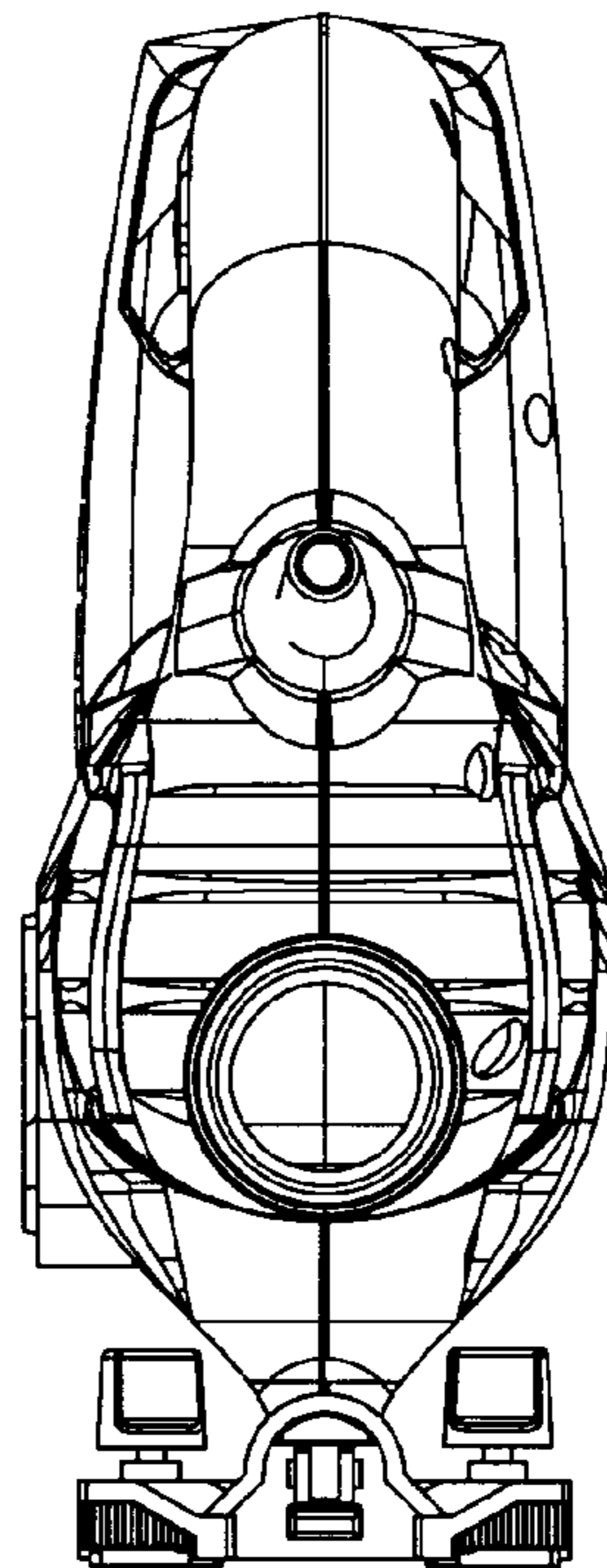


Fig. 2

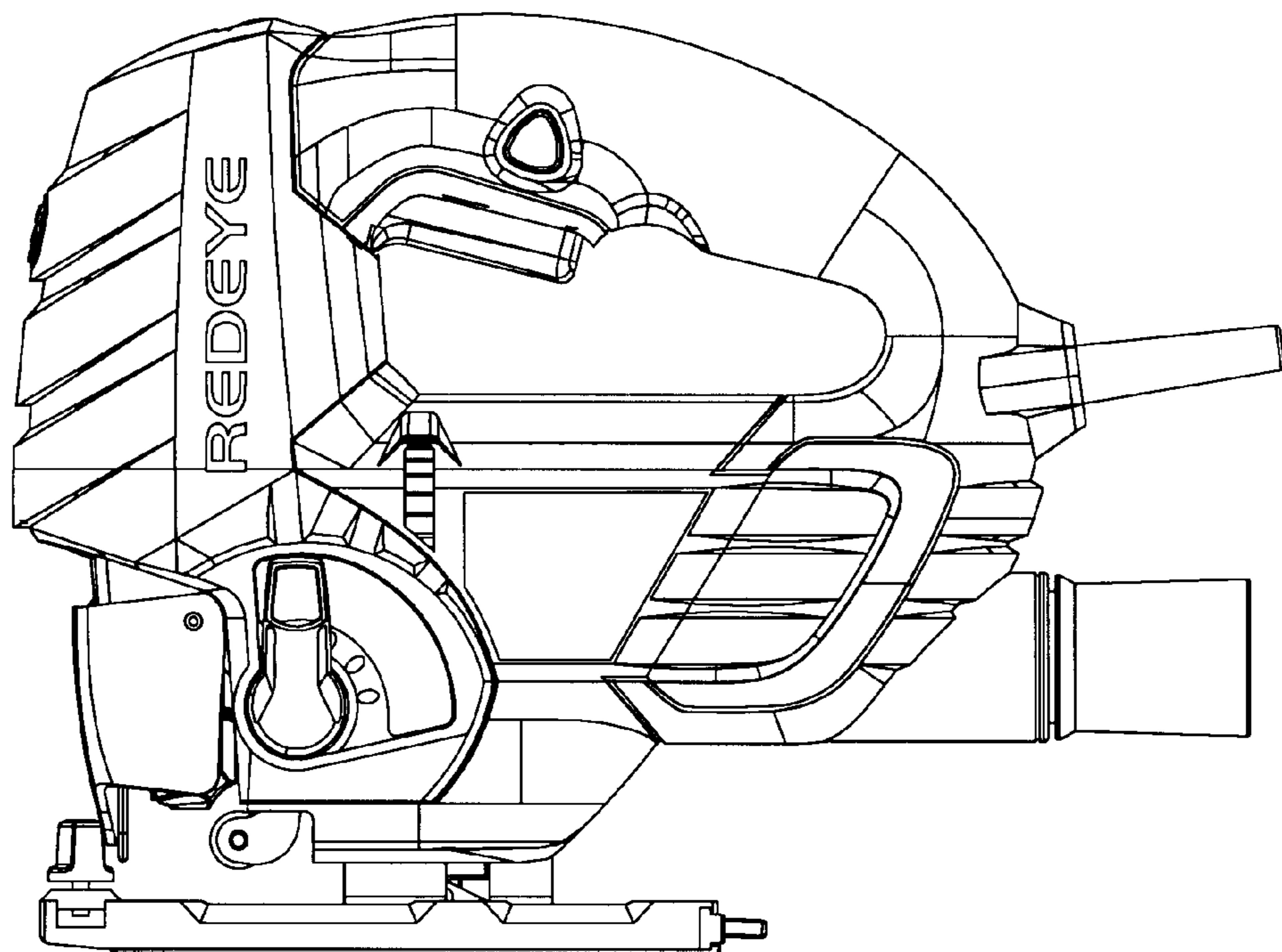


Fig. 3

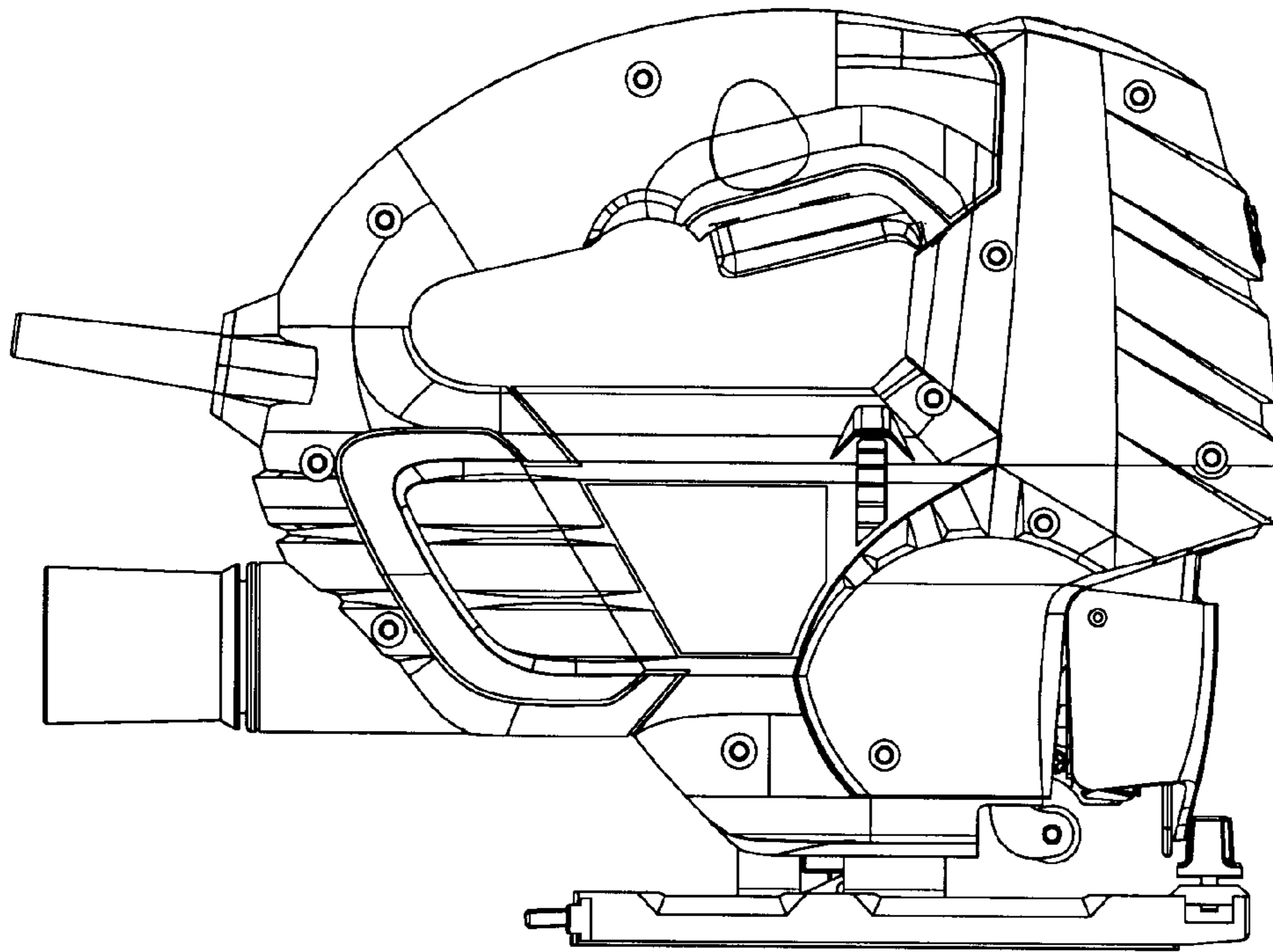


Fig. 4

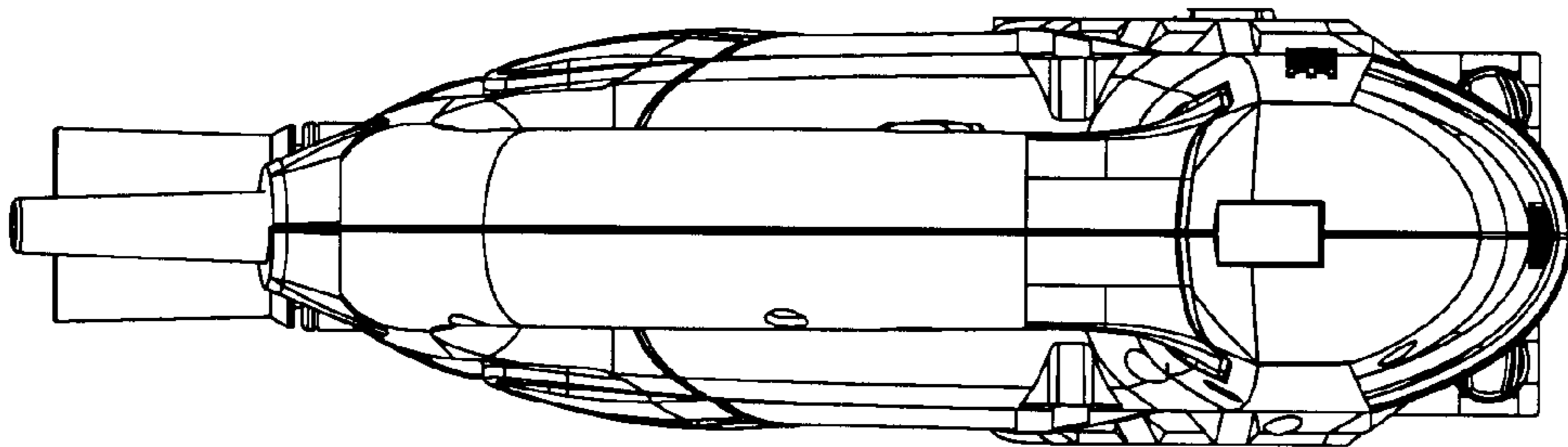


Fig. 5

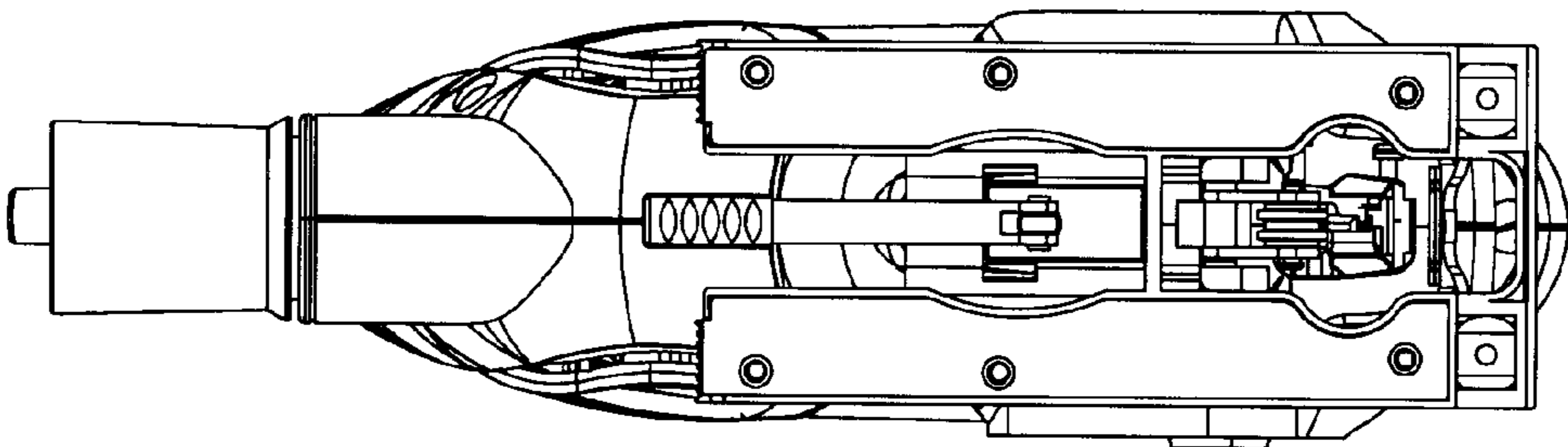


Fig. 6

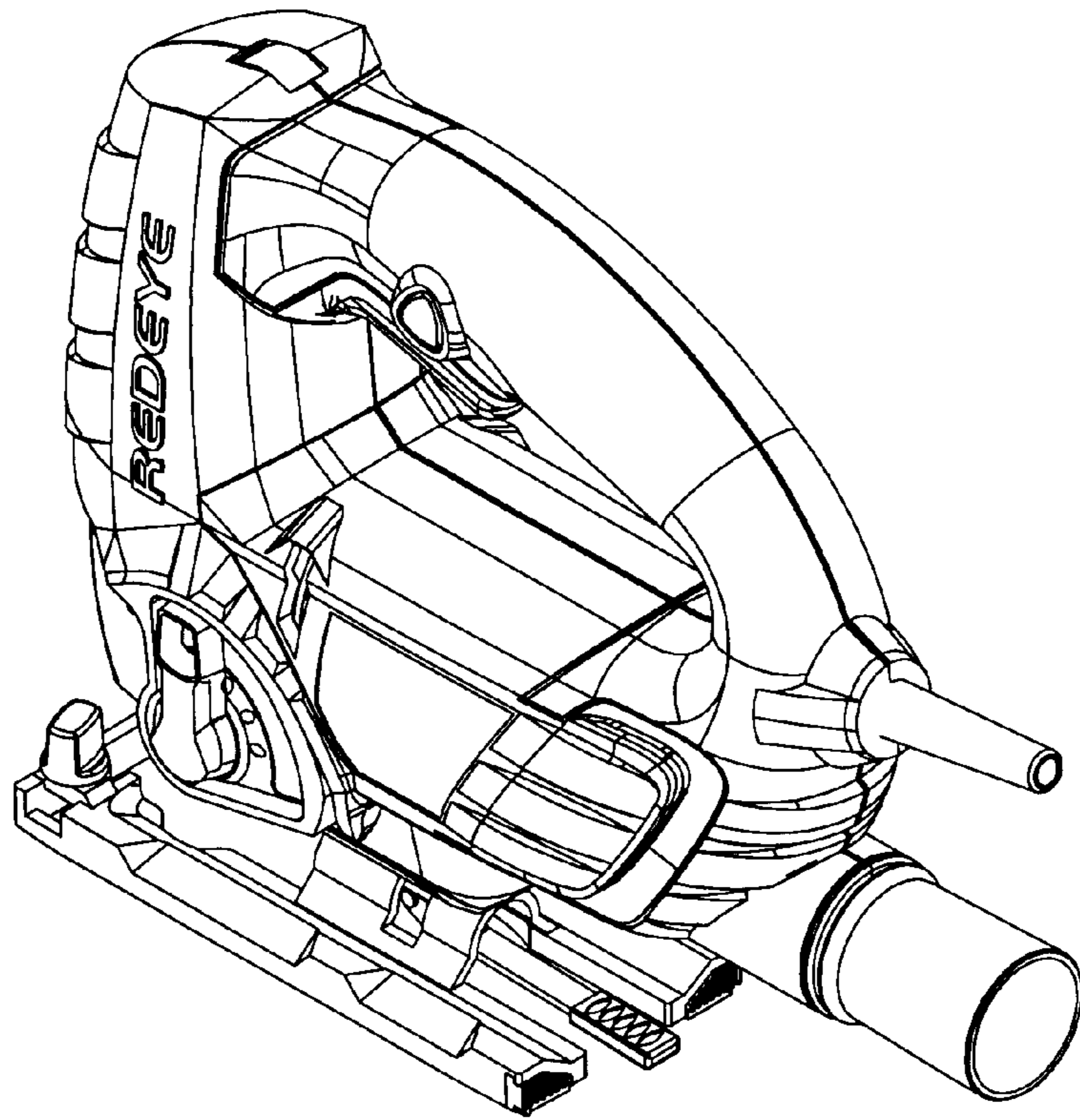


Fig. 7

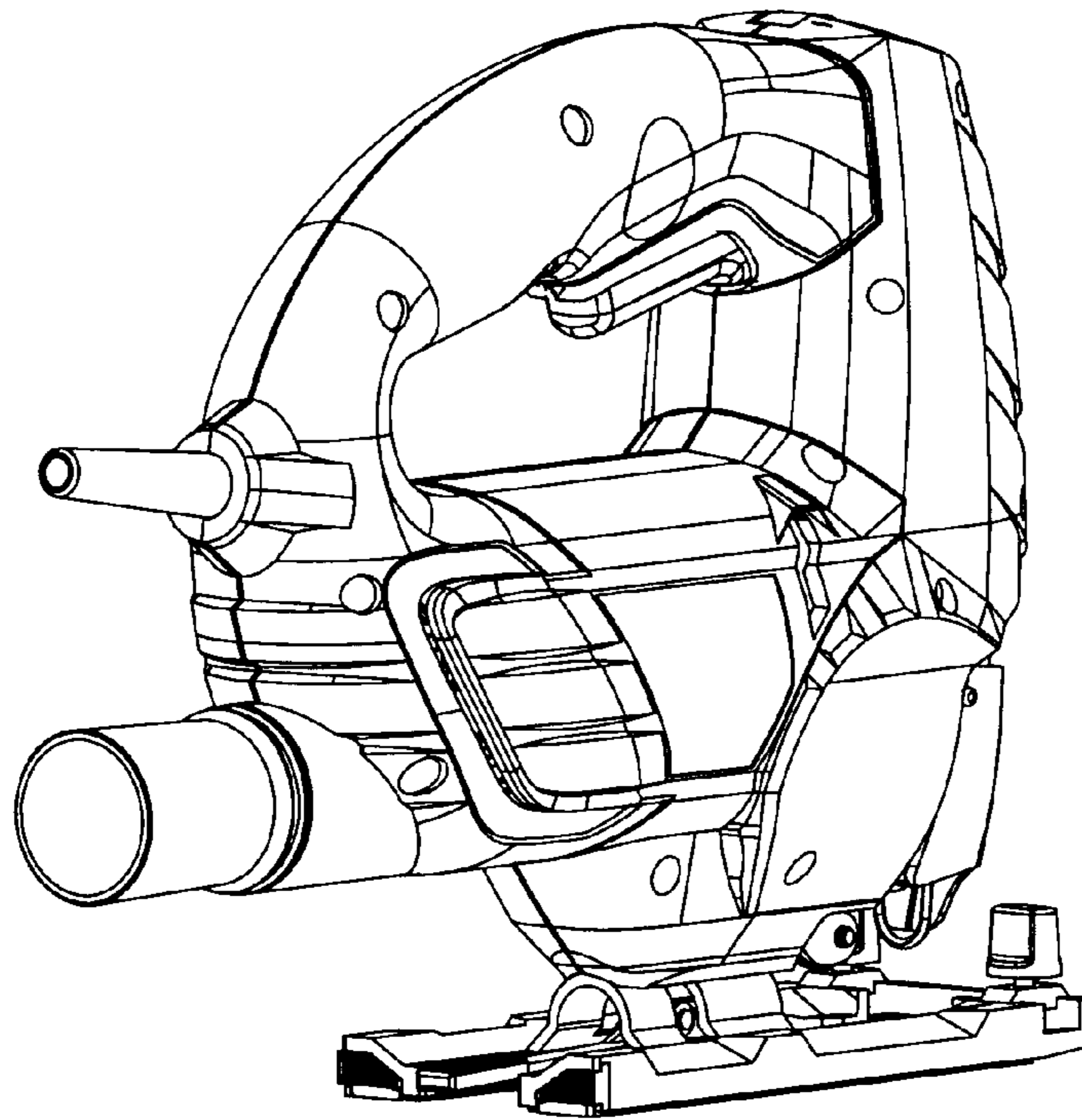


Fig. 8