

US00D519804S

(12) **United States Design Patent** (10) **Patent No.:** **US D519,804 S**  
**Wu** (45) **Date of Patent:** **\*\* May 2, 2006**

(54) **JIG SAW**  
(75) Inventor: **Shuming Wu, Jiangsu (CN)**  
(73) Assignee: **Chervon International Trading Co., Ltd., Jiangsu (CN)**  
(\*\*) Term: **14 Years**  
(21) Appl. No.: **29/201,044**  
(22) Filed: **Mar. 10, 2004**  
(30) **Foreign Application Priority Data**

Sep. 10, 2003 (CN) ..... 03347396

(51) **LOC (8) Cl.** ..... **08-03**  
(52) **U.S. Cl.** ..... **D8/64**  
(58) **Field of Classification Search** ..... D8/69,  
D8/68, 67, 66, 64, 61; 83/747, 699.21; 310/50;  
30/394, 393, 392, 391, 390, 377, 376; 173/217,  
173/216

See application file for complete search history.

(56) **References Cited**

**U.S. PATENT DOCUMENTS**

2,931,402	A	*	4/1960	Papworth	.....	30/393
2,946,358	A	*	7/1960	Bruck	.....	30/393
3,087,519	A	*	4/1963	McCarty et al.	.....	30/376
3,494,390	A	*	2/1970	Dudek	.....	30/394
3,863,342	A	*	2/1975	Griffies et al.	.....	30/393
3,971,132	A	*	7/1976	Griffies et al.	.....	30/393
4,693,009	A	*	9/1987	Bone	.....	30/392
5,205,043	A	*	4/1993	Batt et al.	.....	30/393
D337,709	S	*	7/1993	Ogawa et al.	.....	D8/64
5,727,322	A	*	3/1998	Giacometti	.....	30/376
5,765,463	A	*	6/1998	Okubo et al.	.....	83/747
5,819,421	A	*	10/1998	Giacometti et al.	.....	30/392
D404,274	S	*	1/1999	Ogasawara et al.	.....	D8/64

D414,094	S	*	9/1999	Heun	.....	D8/64
D440,474	S	*	4/2001	Heun	.....	D8/64
D451,356	S	*	12/2001	Pretzell	.....	D8/64
D463,963	S	*	10/2002	Metaxatos et al.	.....	D8/64
D475,264	S	*	6/2003	Kondo et al.	.....	D8/64
D476,871	S	*	7/2003	Santarsiero et al.	.....	D8/64
D484,381	S	*	12/2003	Yamada et al.	.....	D8/64
D486,711	S	*	2/2004	Tam et al.	.....	D8/64
D489,239	S	*	5/2004	Keller	.....	D8/64
D505,851	S	*	6/2005	Waldron	.....	D8/64
2002/0124419	A1	*	9/2002	Hirabayashi	.....	30/329
2003/0167641	A1	*	9/2003	Teng	.....	30/337
2003/0196338	A1	*	10/2003	Eto et al.	.....	30/392
2005/0229408	A1	*	10/2005	Ngan et al.	.....	30/376

\* cited by examiner

*Primary Examiner*—Cathron C. Brooks  
*Assistant Examiner*—Austin Murphy  
(74) *Attorney, Agent, or Firm*—Lowe Hauptman & Berner, LLP

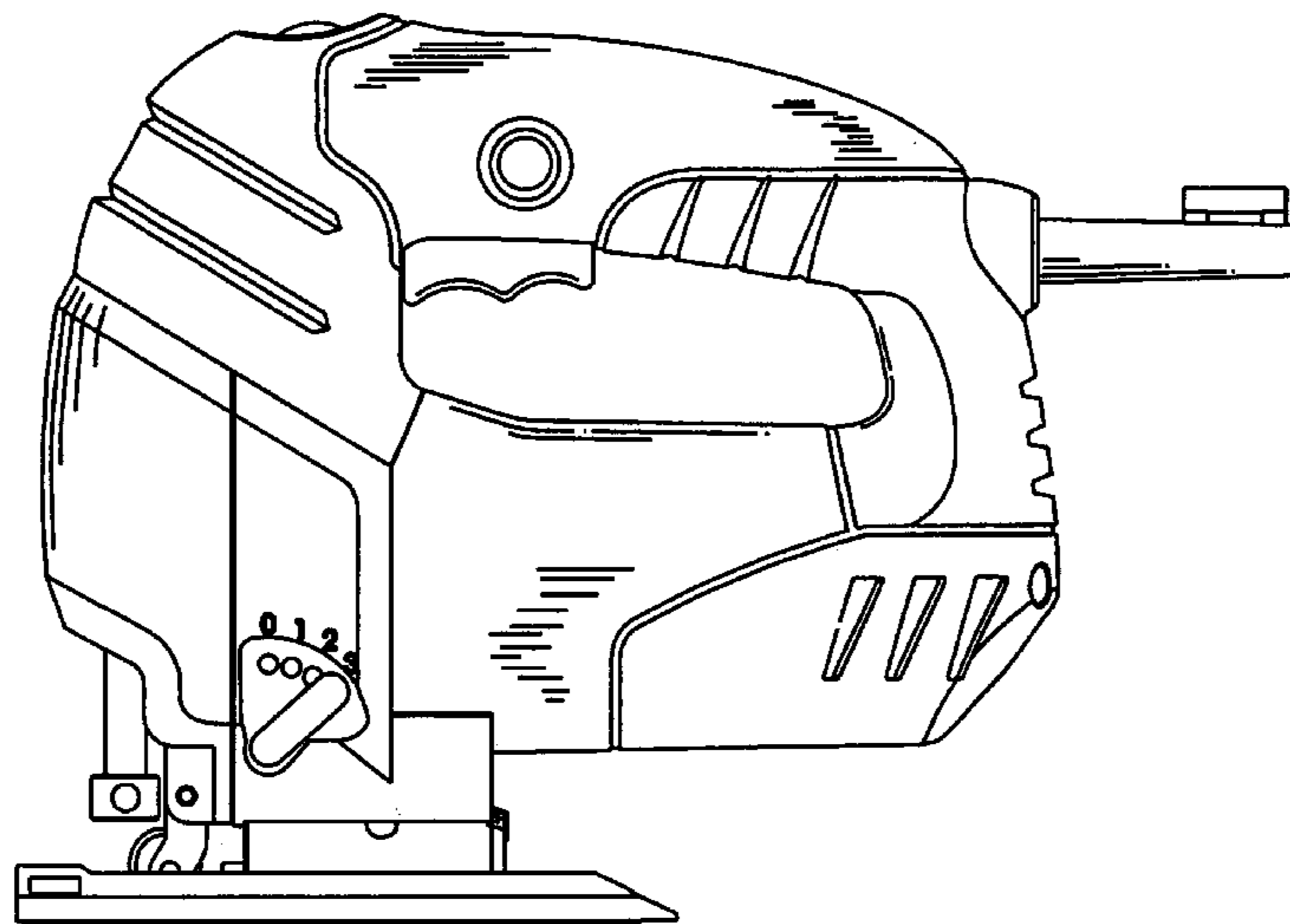
(57) **CLAIM**

A new original design for a jig saw, as shown and described herein.

**DESCRIPTION**

FIG. 1 is a front elevational view of the design;  
FIG. 2 is a rear elevational view of the design of FIG. 1;  
FIG. 3 is a right side elevational view of the design of FIG. 1;  
FIG. 4 is a left side elevational view of the design of FIG. 1;  
FIG. 5 is a top plan view of the design of FIG. 1;  
FIG. 6 is a bottom plan view of the design of FIG. 1; and,  
FIG. 7 is a top-rear-right perspective view of the design of FIG. 1.

**1 Claim, 7 Drawing Sheets**



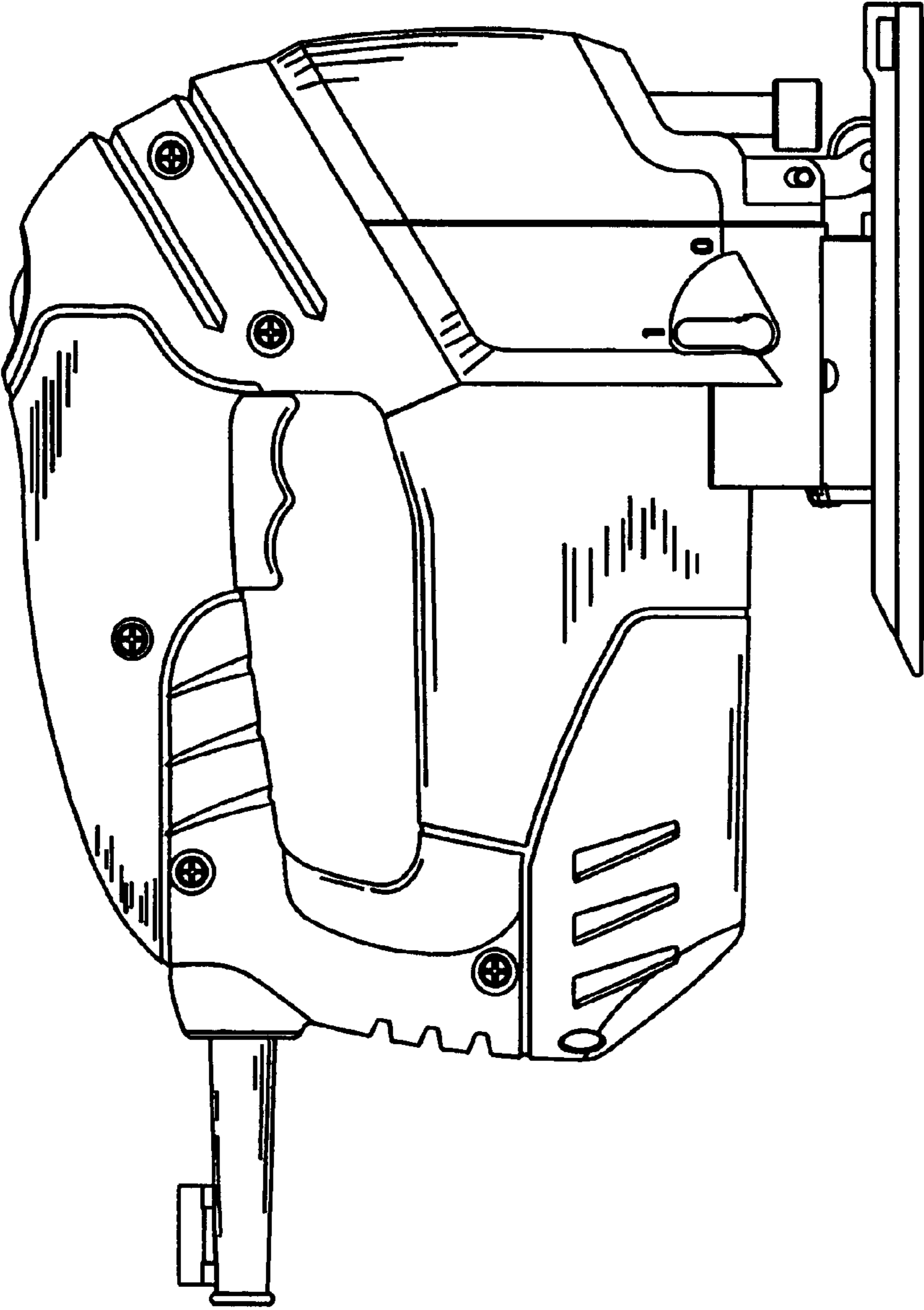


FIG. 1

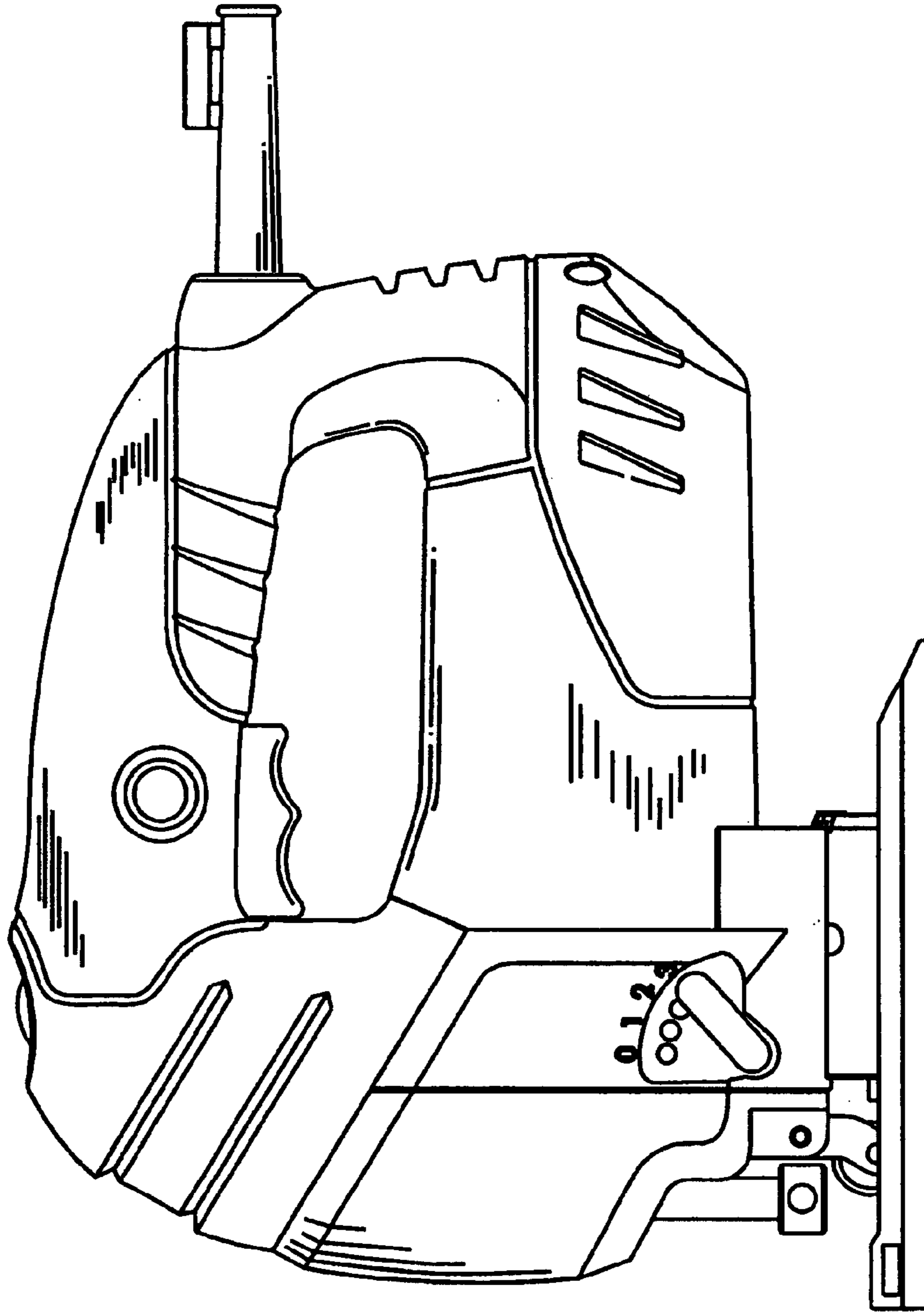


FIG. 2

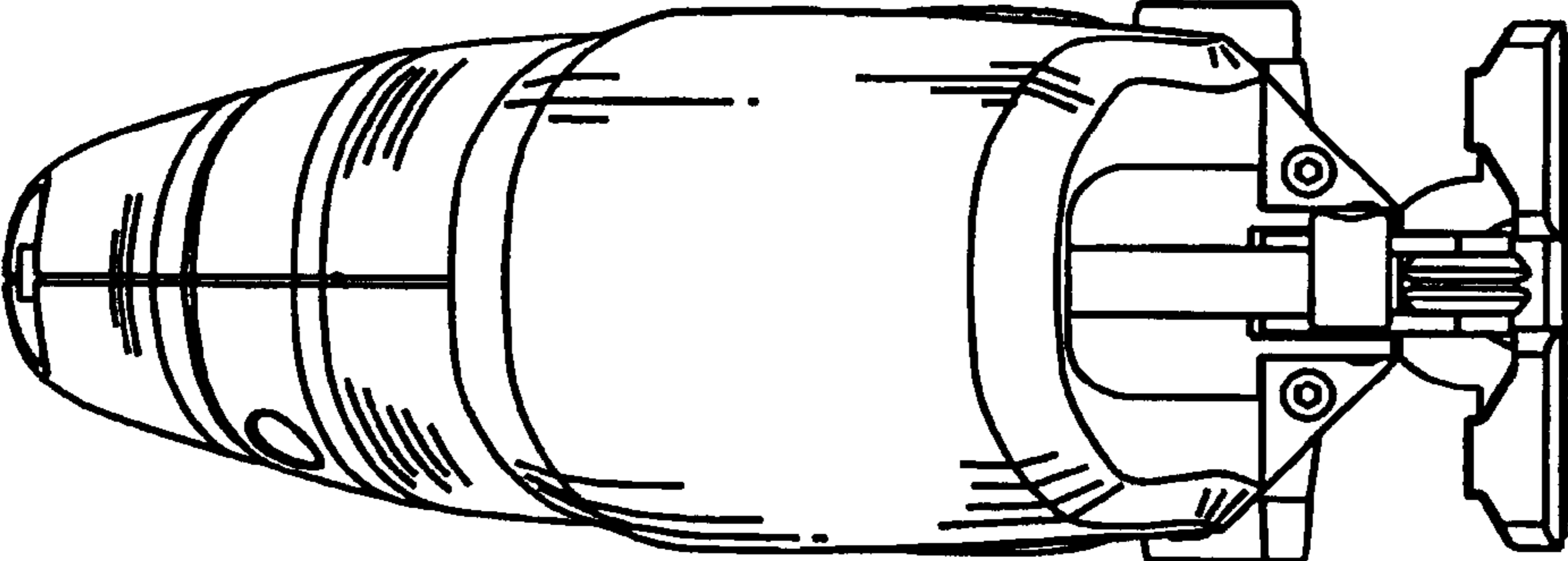


FIG. 3

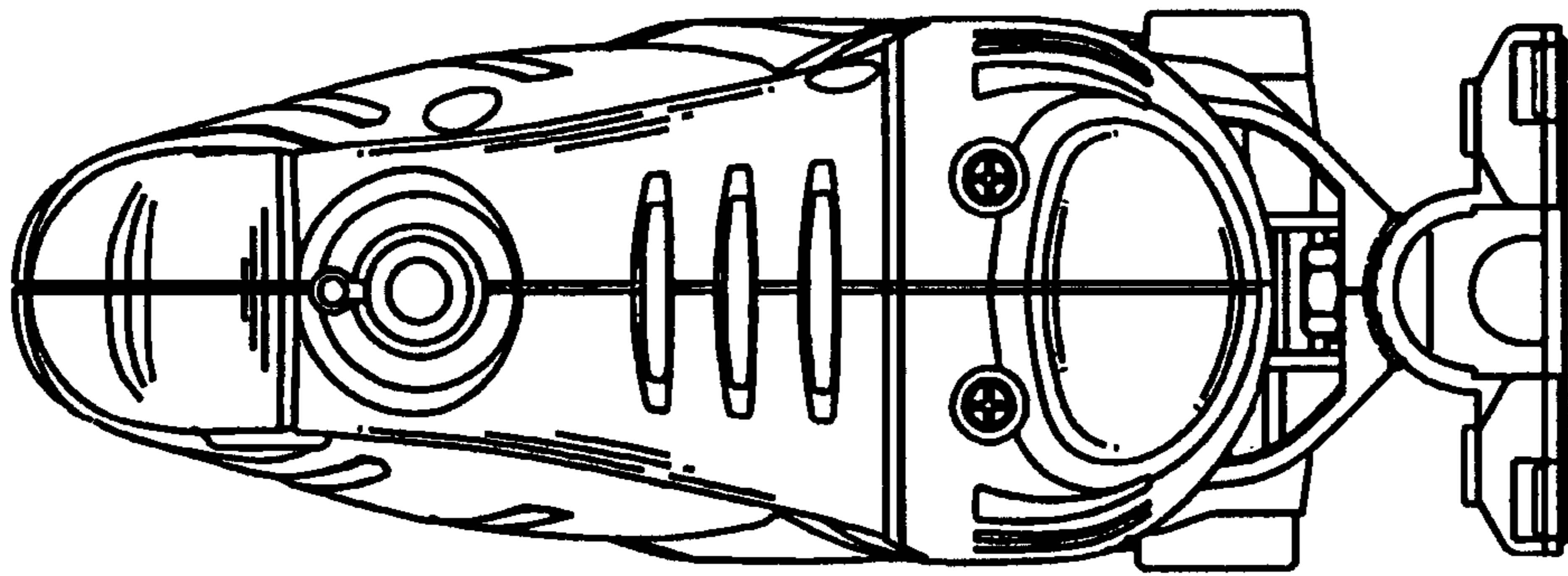


FIG. 4

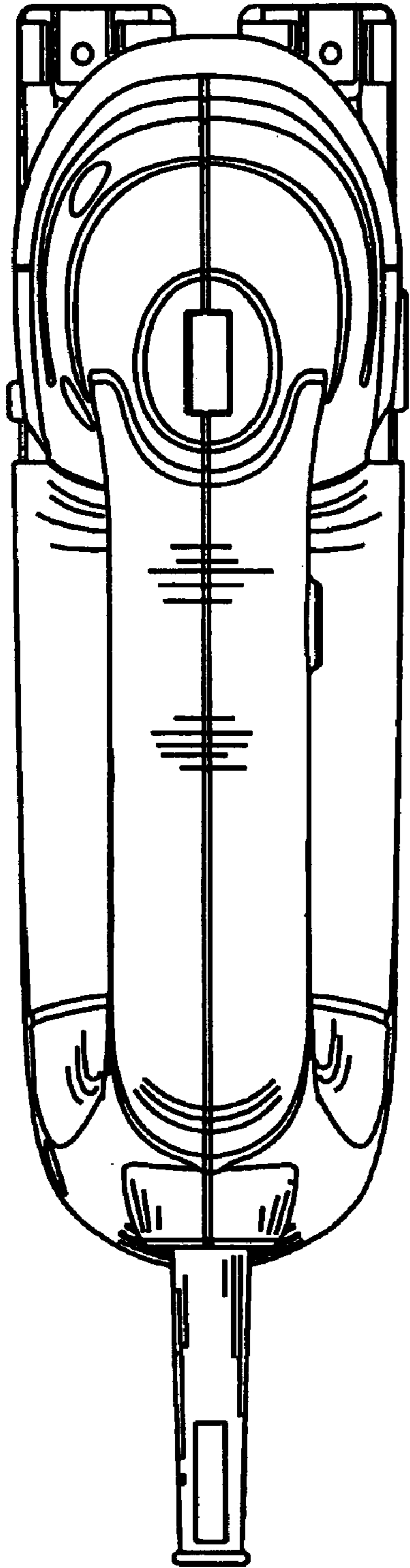


FIG. 5

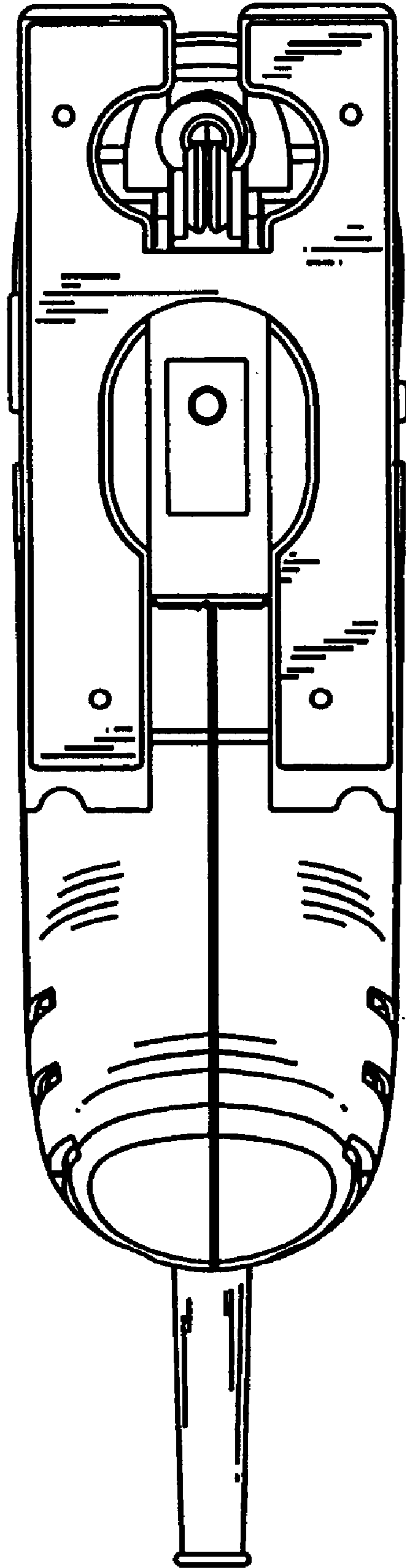


FIG. 6

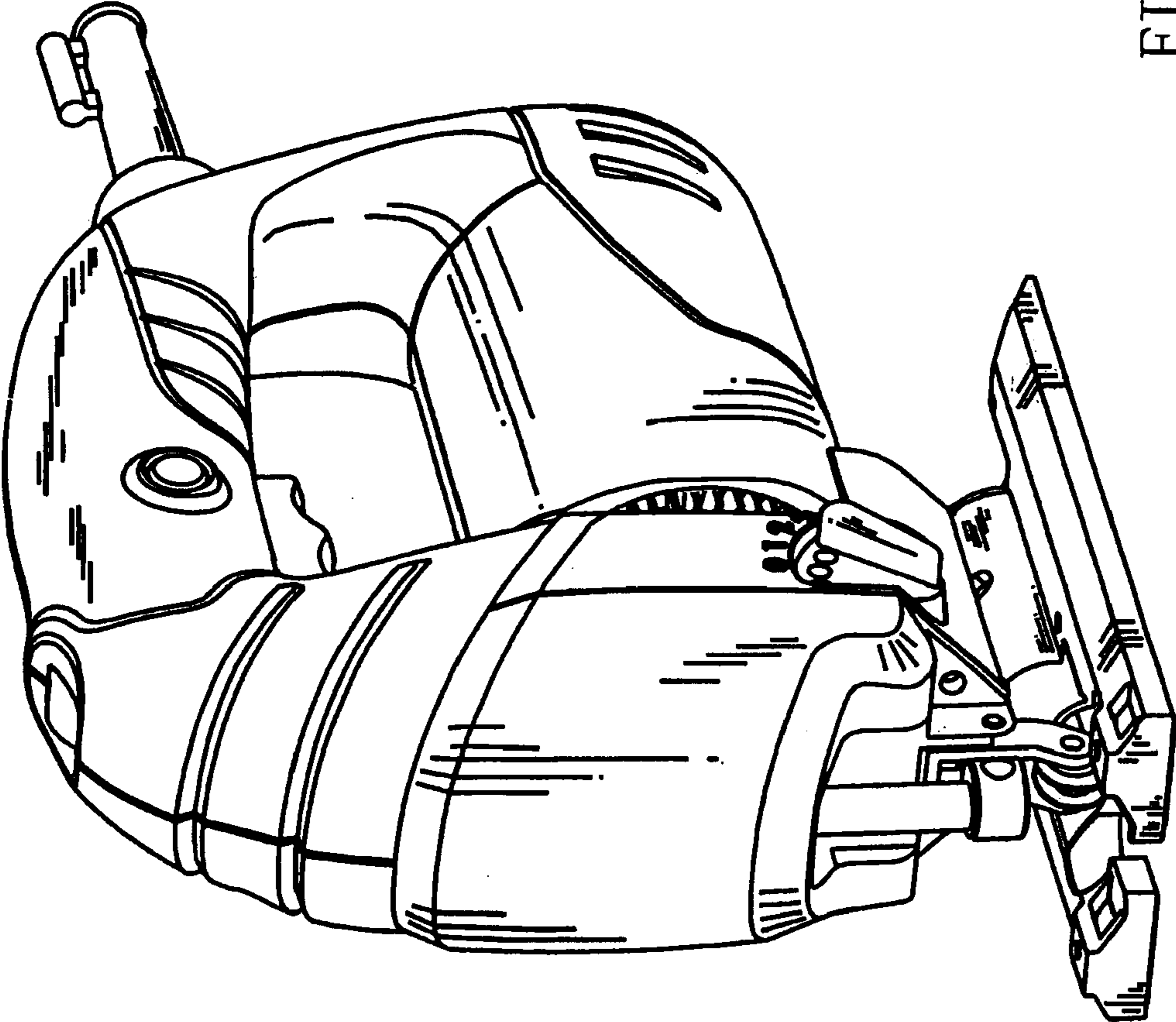


FIG. 7