



US00D519803S

(12) **United States Design Patent** (10) **Patent No.:** **US D519,803 S**
Tsuda (45) **Date of Patent:** **** May 2, 2006**

(54) **PORTION OF A PAIR OF PLIERS JAWS**

FOREIGN PATENT DOCUMENTS

(75) Inventor: **Hollan A. Tsuda**, Portland, OR (US)

EP 0783937 A2 11/1996

(73) Assignee: **Leatherman Tool Group, Inc.**,
Portland, OR (US)

OTHER PUBLICATIONS

(**) Term: **14 Years**

(21) Appl. No.: **29/220,911**

(22) Filed: **Jan. 7, 2005**

(51) **LOC (8) Cl.** **08-05**

(52) **U.S. Cl.** **D8/52; D8/4**

(58) **Field of Classification Search** D8/4-5,
D8/57-58, 52, 105; 7/128; 81/427.5

See application file for complete search history.

U.S. Appl. No. 29/209,072, filed Jul. 9, 2004, Rivera, et al.
U.S. Appl. No. 29/220,870, filed Jan. 7, 2005, Yale.
U.S. Appl. No. 29/220,912, filed Jan. 7, 2005, Yale, et al.
U.S. Appl. No. 29/220,922, filed Jan. 7, 2005, Yale.
U.S. Appl. No. 29/220,831, filed Jan. 7, 2005, Yale.
U.S. Appl. No. 29/220,871, filed Jan. 7, 2005, Yale, et al.
U.S. Appl. No. 29/220,869, filed Jan. 7, 2005, Yale.
SOG "Paratool" Multipurpose Tool, photocopy of User's
Guide, at least as early as 1993.
Leatherman Tool Group, Inc., The Original Leatherman PST
II, photocopy of brochure, at least as early as Jul. 1995.
E-Bay Advertisement, "Early 1900s Folding Fisherman's
Tool MT," Item No. 2153119094, at least as early as Jan. 13,
2003.

(56) **References Cited**

U.S. PATENT DOCUMENTS

4,238,862 A	12/1980	Leatherman
4,744,272 A	5/1988	Leatherman
5,062,173 A	11/1991	Collins et al.
5,142,721 A	9/1992	Sessions et al.
5,212,844 A	5/1993	Sessions et al.
5,267,366 A	12/1993	Frazer
D367,807 S	3/1996	Hung
D368,634 S	4/1996	Frazer
5,564,318 A	10/1996	Pail
D384,872 S	10/1997	Yeh
D398,209 S	9/1998	Rivera
5,809,599 A	9/1998	Frazer
D401,133 S	11/1998	Gardiner et al.
5,829,329 A	11/1998	Frazer
D406,508 S	3/1999	Rivera
D408,238 S	4/1999	Rivera
D414,092 S	9/1999	Chang
6,003,180 A	12/1999	Frazer
6,009,582 A	1/2000	Harrison et al.
6,014,787 A	1/2000	Rivera
D421,377 S	3/2000	Rivera
6,047,426 A	4/2000	McIntosh et al.
D426,446 S	6/2000	Chau
D426,447 S	6/2000	Chau

Primary Examiner—Holly H. Baynham
(74) *Attorney, Agent, or Firm*—Chernoff, Vilhauer,
McClung & Stenzel, LLP

(57) **CLAIM**

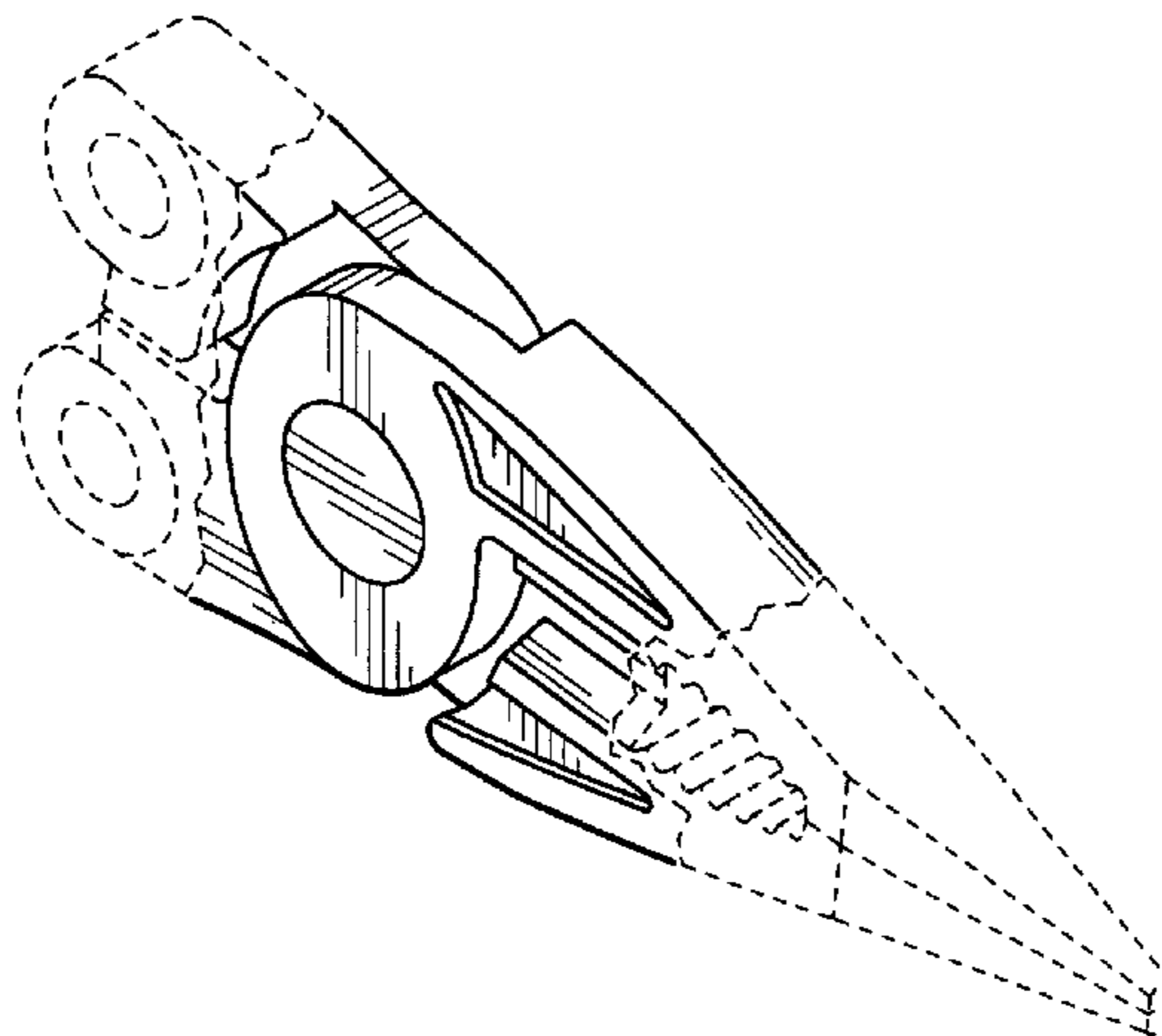
The ornamental design for a portion of a pair of pliers jaws,
as shown and described.

DESCRIPTION

FIG. 1. is an isometric view from the upper right front of a
portion of a pair of pliers jaws, including my new design;
FIG. 2. is an isometric view from the lower left rear of the
portion of a pair of pliers jaws shown in FIG. 1;
FIG. 3 is a top plan view thereof;
FIG. 4 is a right side elevational view thereof;
FIG. 5 is a bottom plan view thereof; and,
FIG. 6 is a left side elevational view thereof.
The broken lines immediately adjacent the shaded areas
represent the bounds of the claim and all other broken lines
are for illustrative purposes only. None of the broken lines
form a part of the claimed design.

(Continued)

1 Claim, 2 Drawing Sheets



US D519,803 S

Page 2

U.S. PATENT DOCUMENTS

D427,496 S	*	7/2000	Berg	D8/52	D468,987 S	1/2003	Dreyfus et al.	
D429,131 S		8/2000	Rivera			6,510,767 B1	1/2003	Rivera	
D429,132 S		8/2000	Rivera			D470,372 S	2/2003	Rivera	
6,134,994 A	*	10/2000	Gomas	81/427.5	6,622,328 B1	9/2003	Rivera	
D433,902 S		11/2000	Rivera			6,625,832 B1	9/2003	Montague et al.	
D442,046 S	*	5/2001	Huang	D8/57	D499,621 S	12/2004	Tsuda	
6,226,822 B1		5/2001	Chen			D499,622 S	12/2004	Rivera et al.	
D445,009 S		7/2001	Rivera			2002/0046425 A1	*	4/2002	Dallas et al. 7/128
6,282,996 B1		9/2001	Berg et al.			2003/0192128 A1		10/2003	Rivera
6,318,218 B1		11/2001	Anderson			2004/0003472 A1		1/2004	Dallas et al.
6,389,625 B1		5/2002	Rivera			2004/0019973 A1		2/2004	Rivera

* cited by examiner

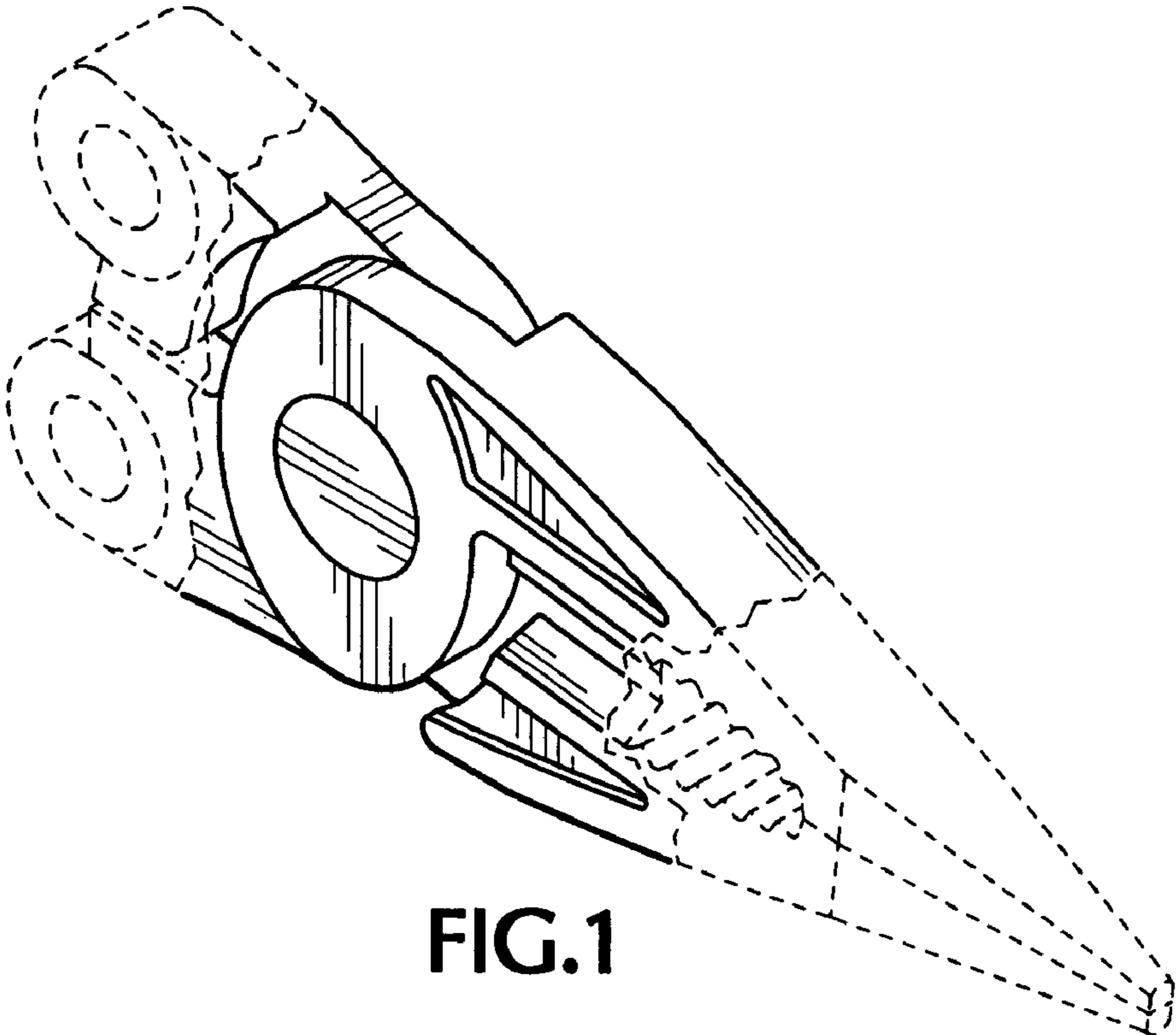


FIG.1

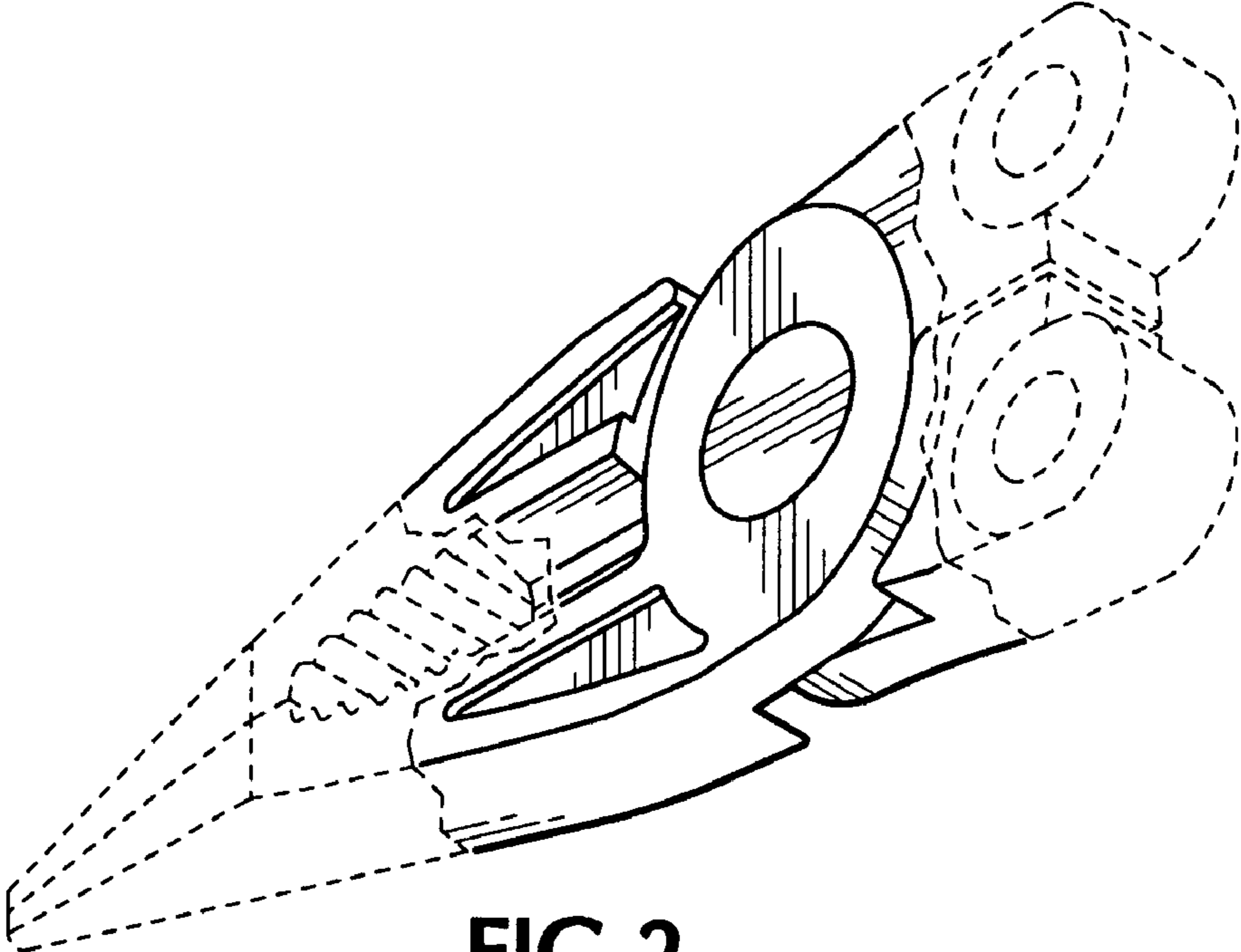


FIG.2

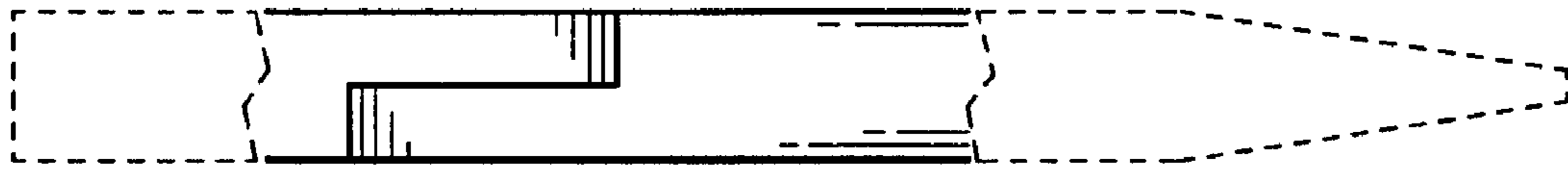


FIG.3

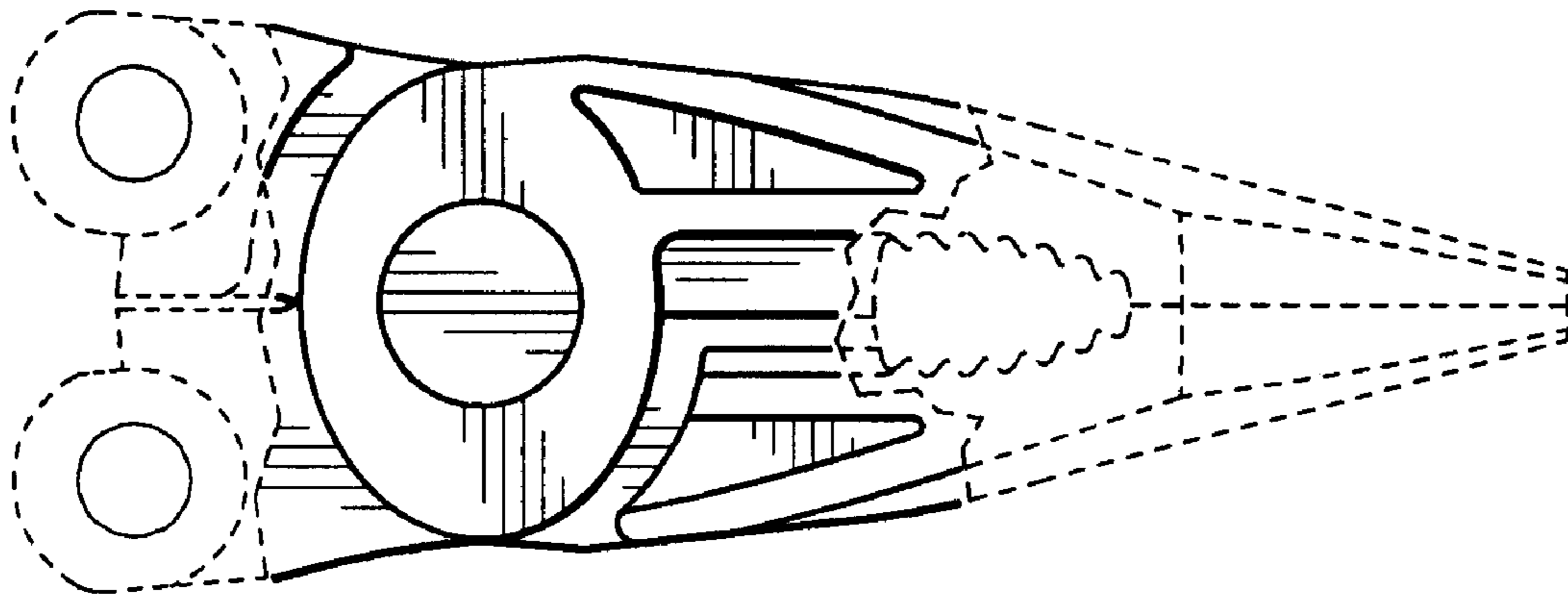


FIG.4

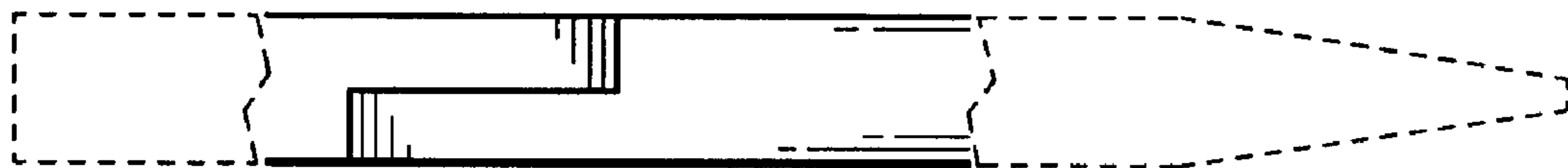


FIG.5

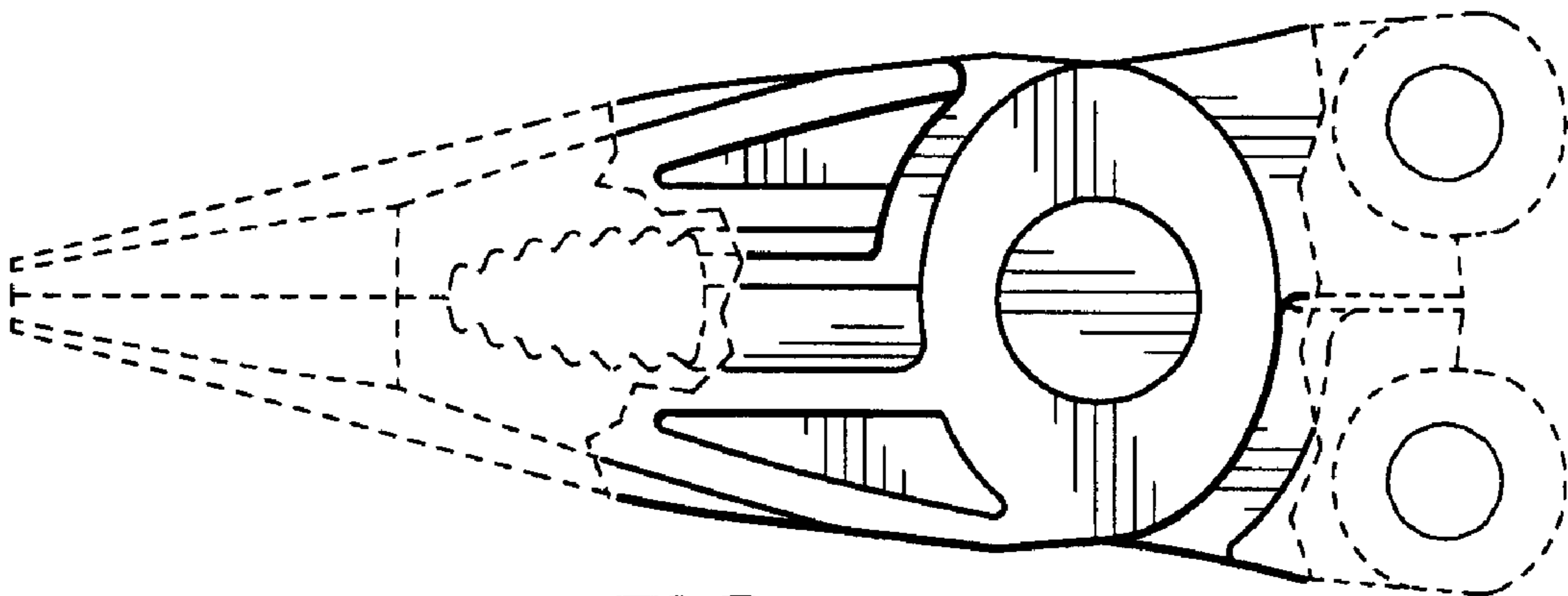


FIG.6