



US00D519802S

(12) **United States Design Patent**  
**Henry**

(10) **Patent No.:** **US D519,802 S**

(45) **Date of Patent:** **\*\* May 2, 2006**

(54) **CORKSCREW BASE WITH SUCTION  
DEVICE**

(75) Inventor: **Louis F. Henry**, Scarsdale, NY (US)  
(73) Assignee: **Design For Living, L.L.C.**, New York,  
NY (US)  
(\*\*) Term: **14 Years**

(21) Appl. No.: **29/232,321**  
(22) Filed: **Jun. 16, 2005**

(51) **LOC (8) Cl.** ..... **07-99**  
(52) **U.S. Cl.** ..... **D8/39**  
(58) **Field of Classification Search** ..... D8/33-43,  
D8/105; D7/665, 66, 680, 683-687; D27/195;  
7/113, 151-155; 30/113.1, 113.2, 113.3; 81/3.45,  
81/3.48, 3.49

See application file for complete search history.

(56) **References Cited**

**U.S. PATENT DOCUMENTS**

390,183 A \* 9/1888 Morgan et al. .... 7/155  
D174,858 S \* 5/1955 Greco et al. .... D8/33  
D408,697 S \* 4/1999 de Bergen ..... D8/42  
D442,043 S \* 5/2001 Kao ..... D8/39  
D481,599 S \* 11/2003 Yu ..... D8/39

D496,241 S \* 9/2004 Yu ..... D8/39

\* cited by examiner

*Primary Examiner*—Caron D. Veynar  
*Assistant Examiner*—Garth Rademaker  
(74) *Attorney, Agent, or Firm*—Lathrop & Gage LC

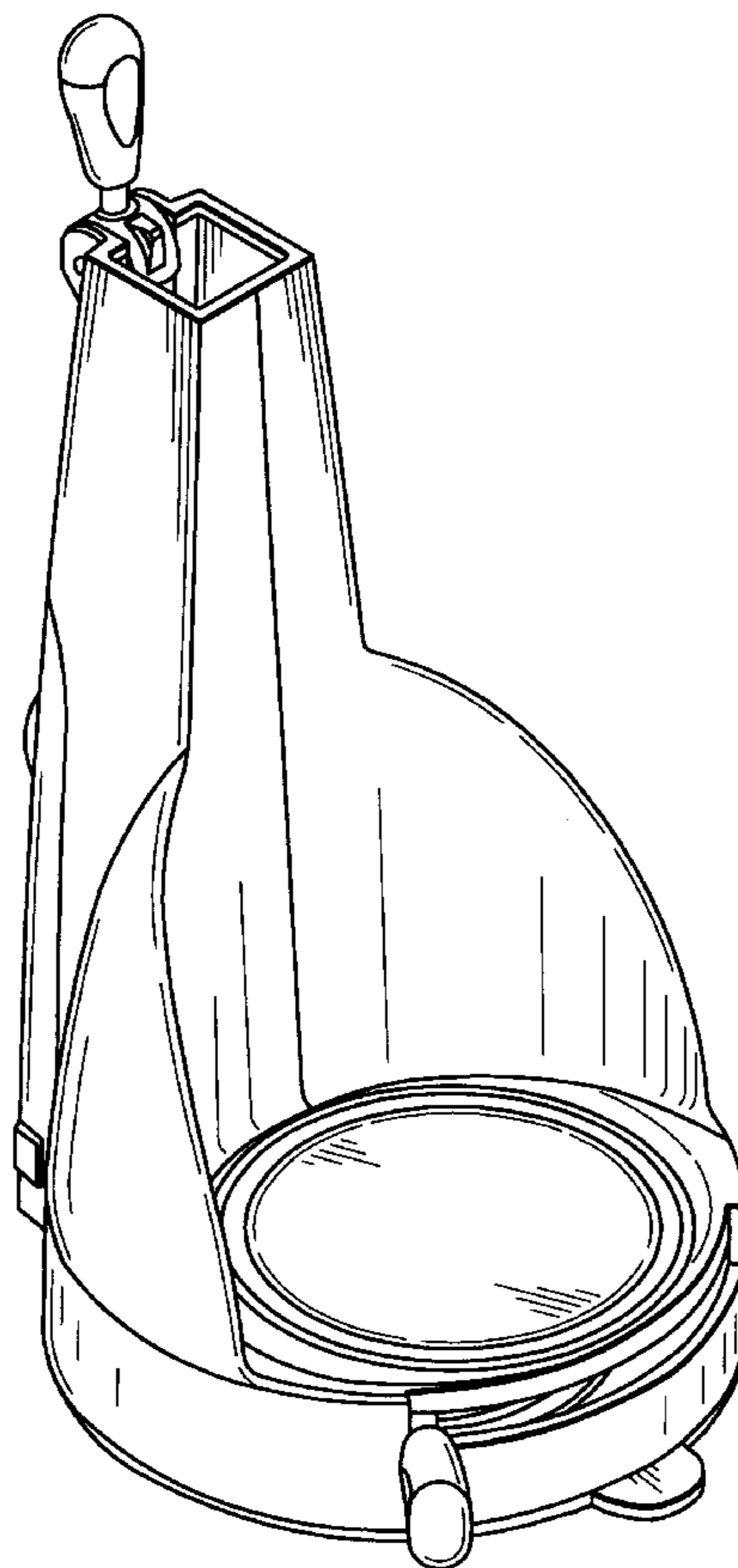
(57) **CLAIM**

The ornamental design for a corkscrew base with suction device, as shown.

**DESCRIPTION**

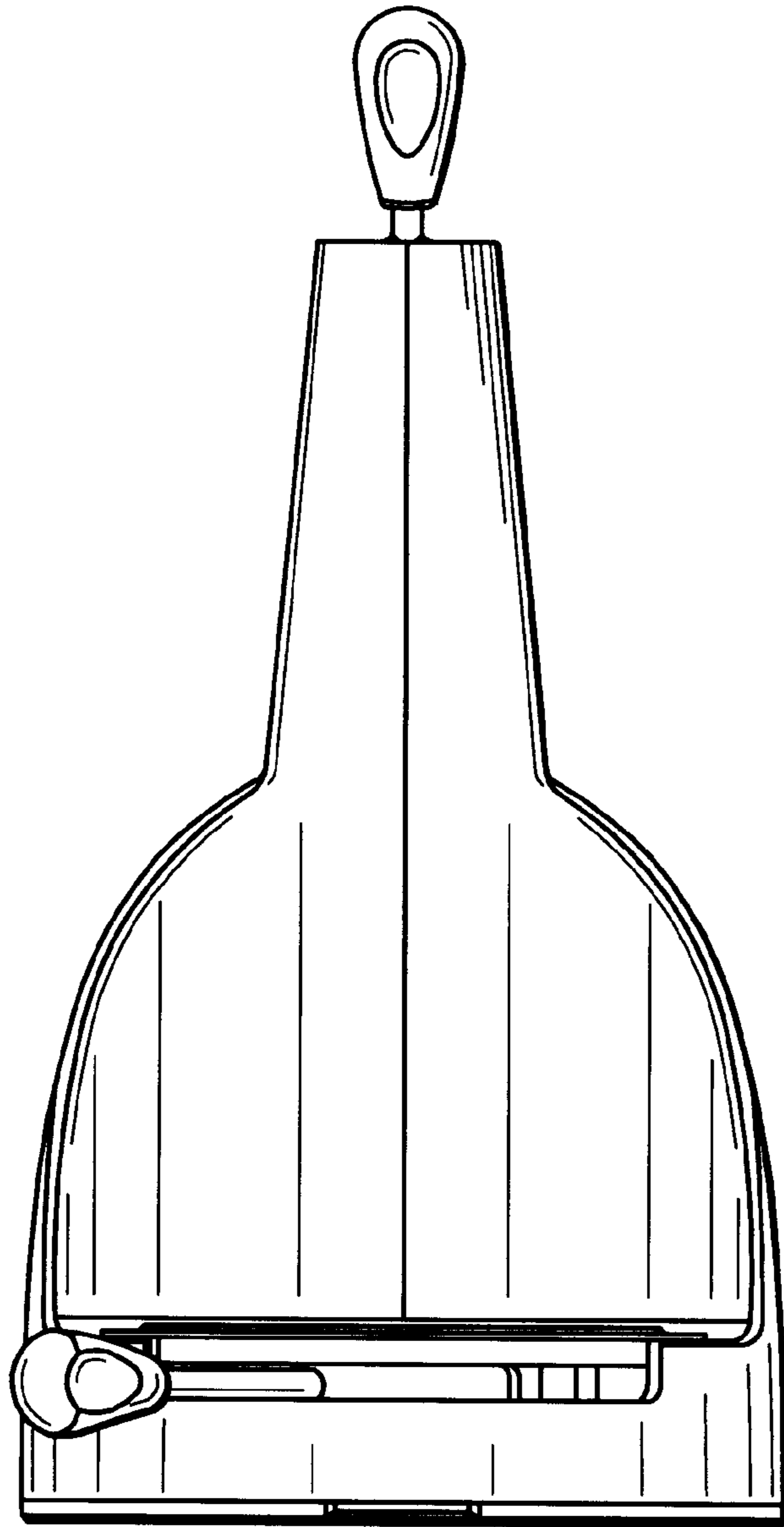
FIG. 1 is a perspective view of a corkscrew base with suction device, showing the new design;  
FIG. 2 is a front view of the corkscrew base with suction device of FIG. 1;  
FIG. 3 is a right side view of the corkscrew base with suction device of FIG. 1;  
FIG. 4 is a left side view of the corkscrew base with suction device of FIG. 1;  
FIG. 5 is a back view of the corkscrew base with suction device of FIG. 1;  
FIG. 6 is the top view of the corkscrew base with suction device of FIG. 1; and,  
FIG. 7 is the bottom view of the corkscrew base with suction device of FIG. 1.

**1 Claim, 6 Drawing Sheets**

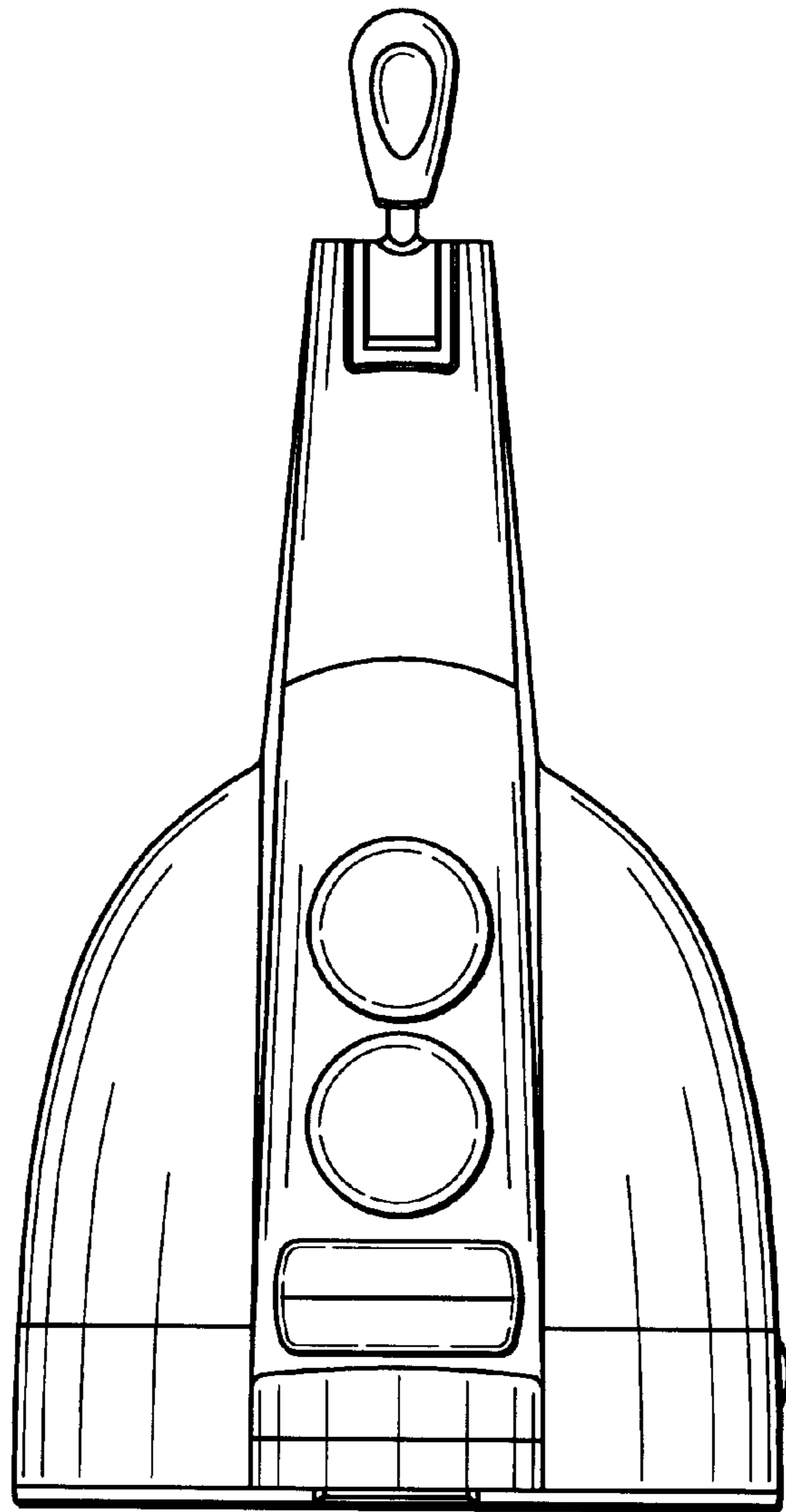




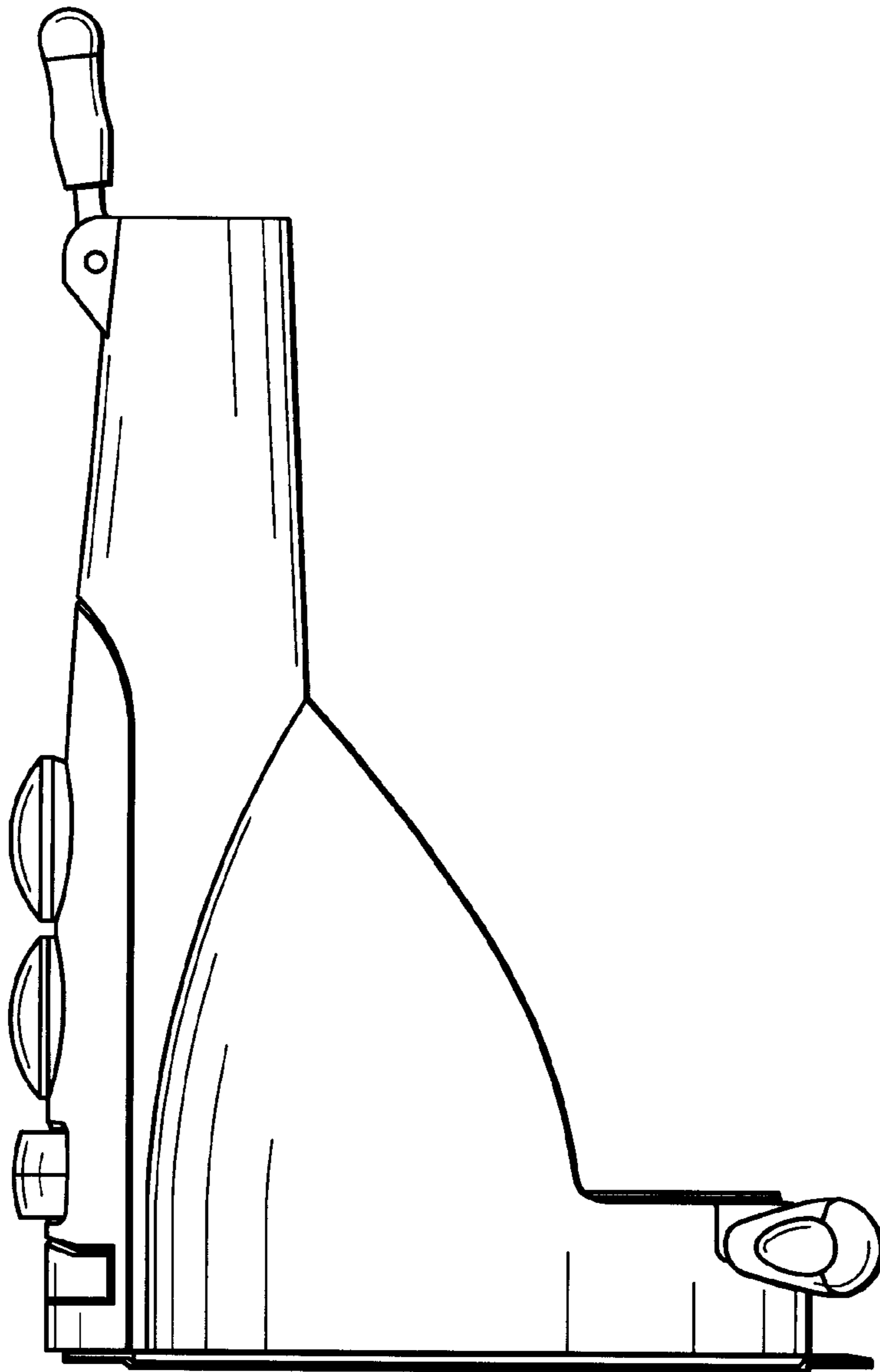
**FIG. 1**



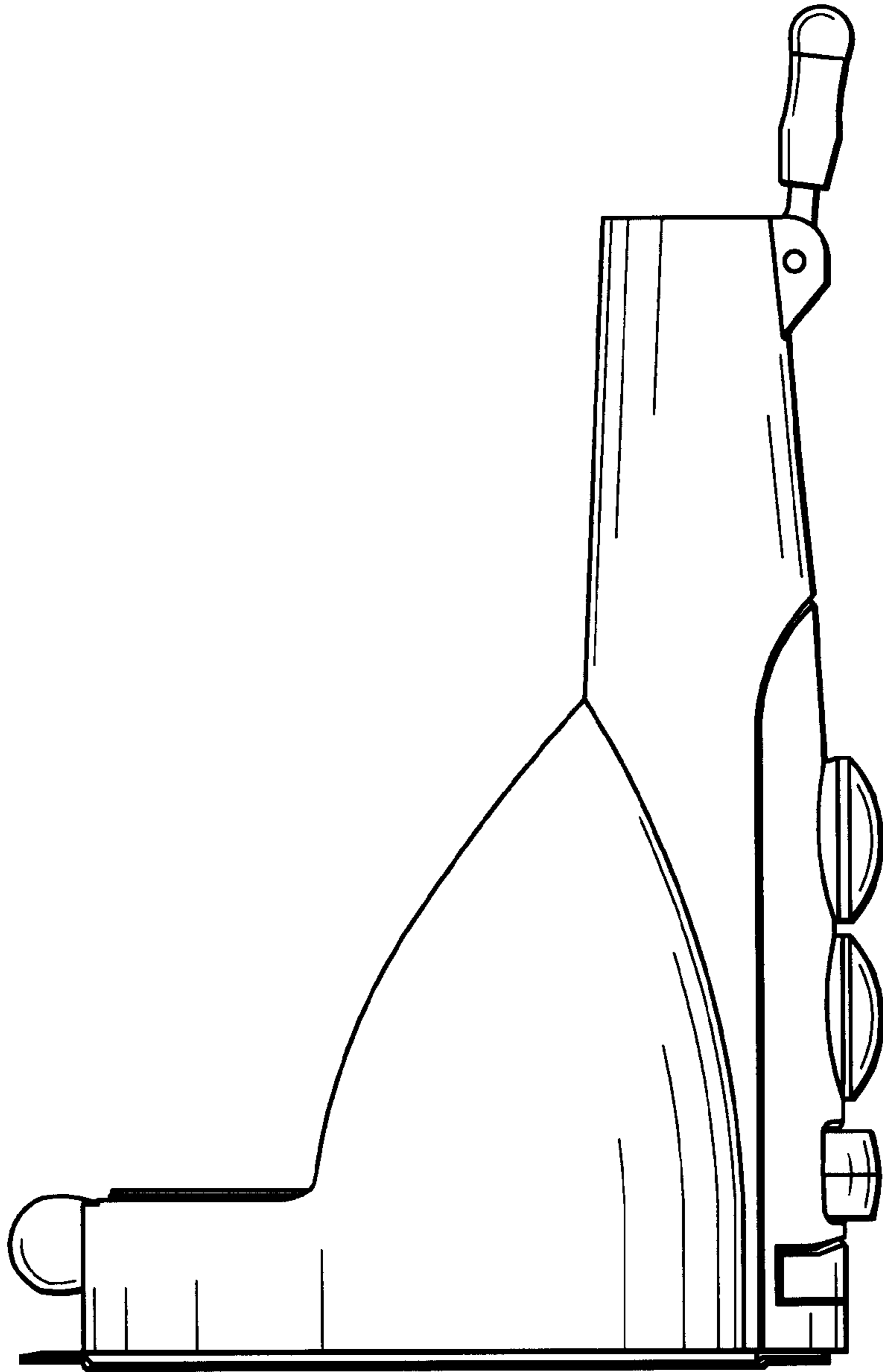
**FIG. 2**



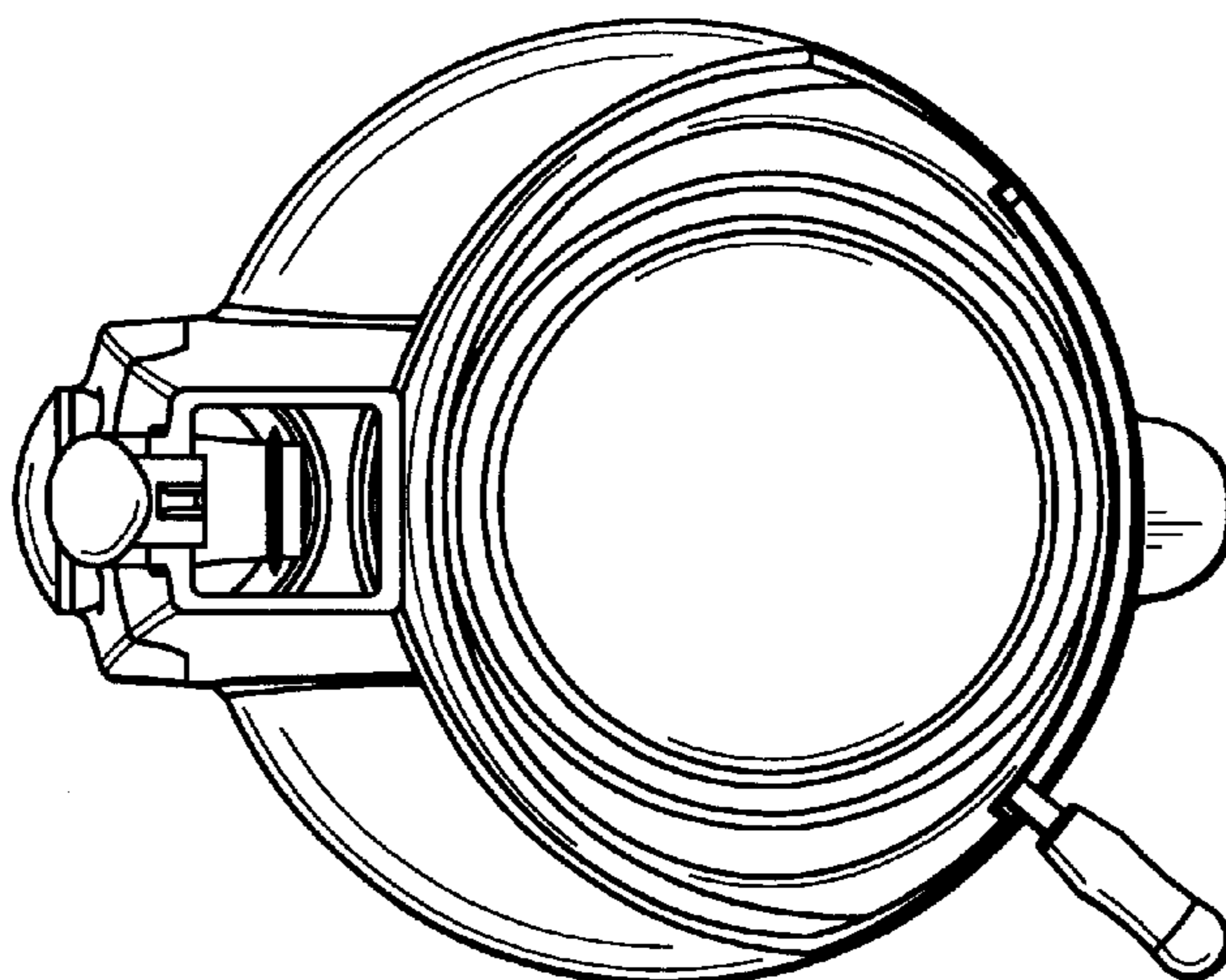
**FIG. 3**



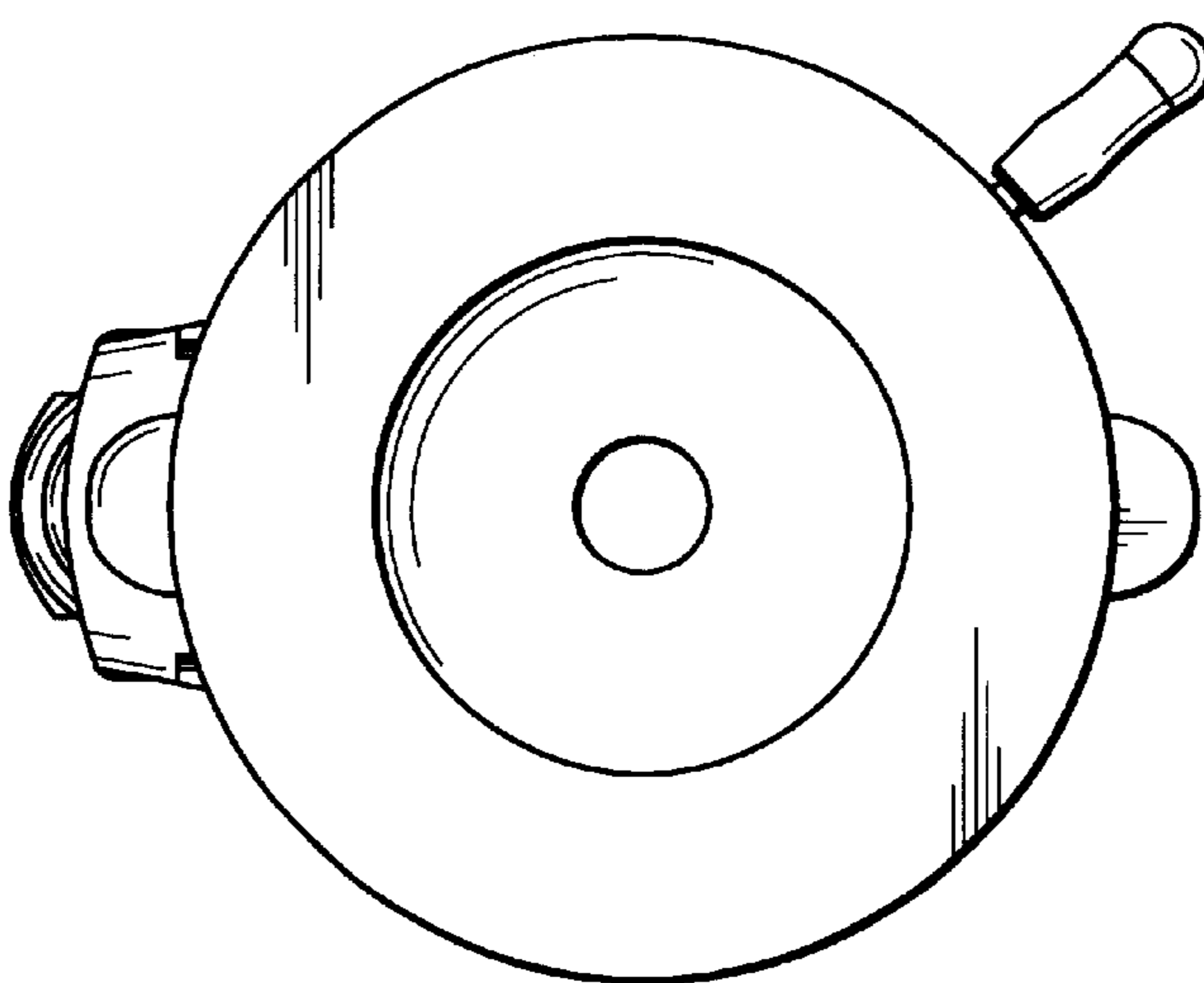
**FIG. 4**



**FIG. 5**



**FIG. 6**



**FIG. 7**