

US00D519797S

(12) **United States Design Patent**  
**Bueno**

(10) **Patent No.:** **US D519,797 S**

(45) **Date of Patent:** **\*\* May 2, 2006**

(54) **SIDING INSTALLATION TOOL**

6,378,223 B1 4/2002 Korich et al.  
D457,405 S \* 5/2002 White ..... D8/16

(76) Inventor: **Chrispatrick A. Bueno**, 566 Darkelly Rd., Pt. Angeles, WA (US) 98363

\* cited by examiner

(\*\*) Term: **14 Years**

*Primary Examiner*—Holly H. Baynham

(74) *Attorney, Agent, or Firm*—Siemens Patent Service LC

(21) Appl. No.: **29/223,260**

(57) **CLAIM**

(22) Filed: **Feb. 14, 2005**

The ornamental design for a siding installation tool, as shown and described.

(51) **LOC (8) Cl.** ..... **08-05**

(52) **U.S. Cl.** ..... **D8/14**

(58) **Field of Classification Search** ..... D8/14;  
33/647-649; 52/748.11

**DESCRIPTION**

See application file for complete search history.

FIG. 1 is a perspective view of a siding installation tool showing my new design;

FIG. 2 is a left side view of the siding installation tool thereof;

FIG. 3 is a right side view of the siding installation tool thereof;

FIG. 4 is a front view of the siding installation tool thereof;

FIG. 5 is a back view of the siding installation tool thereof;

FIG. 6 is a top view of the siding installation tool thereof; and,

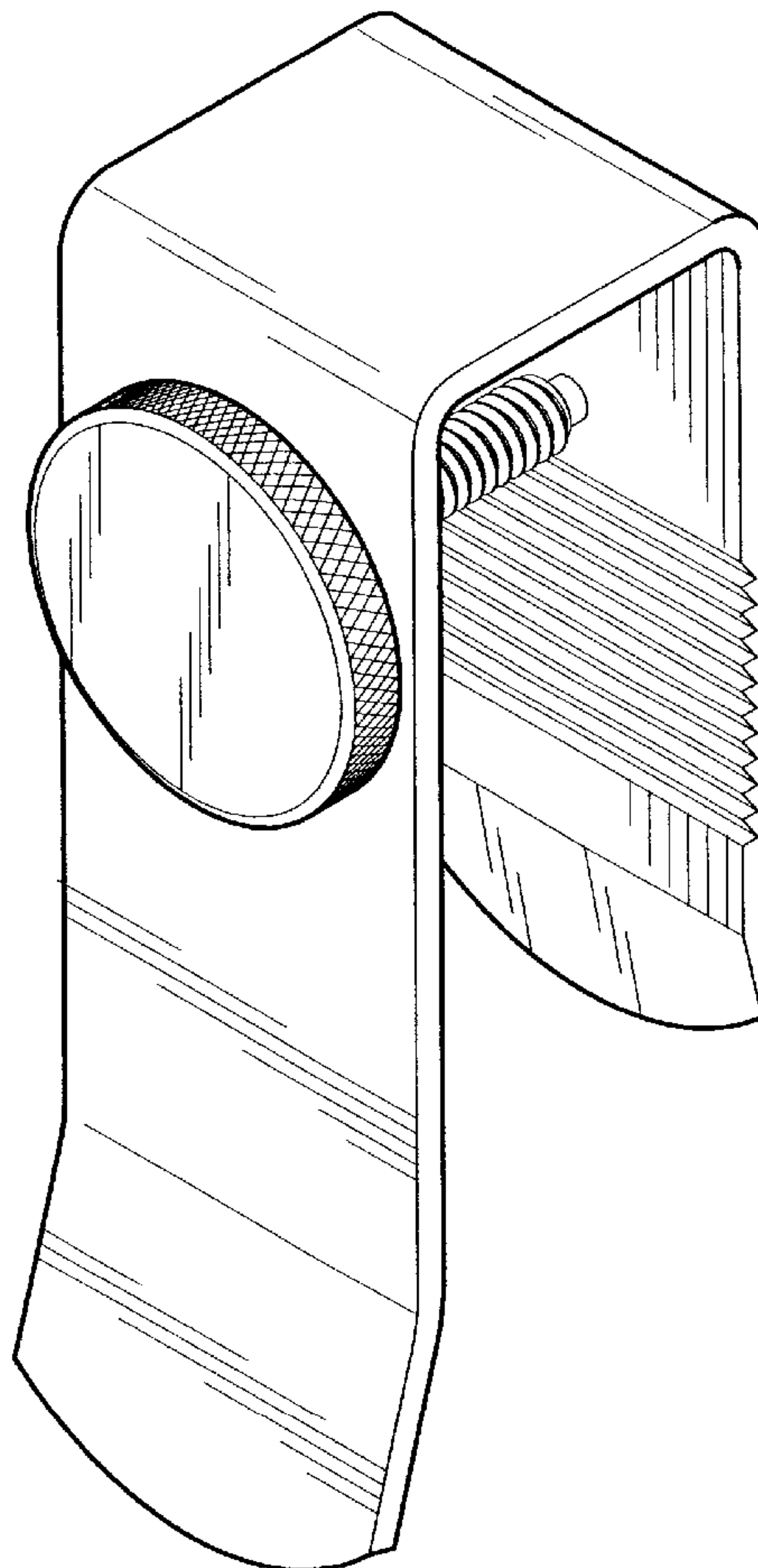
FIG. 7 is a bottom view of the siding installation tool.

(56) **References Cited**

**U.S. PATENT DOCUMENTS**

1,582,620	A	4/1926	Ostrander	
1,750,854	A	3/1930	Nelson	
4,484,392	A	* 11/1984	DeFino et al.	33/647
4,860,518	A	8/1989	Kingham	
5,408,757	A	* 4/1995	Lenz	33/647
5,623,767	A	* 4/1997	Colavito	33/647
5,768,830	A	6/1998	Kelly	
6,338,460	B1	1/2002	Rumpel	

**1 Claim, 4 Drawing Sheets**



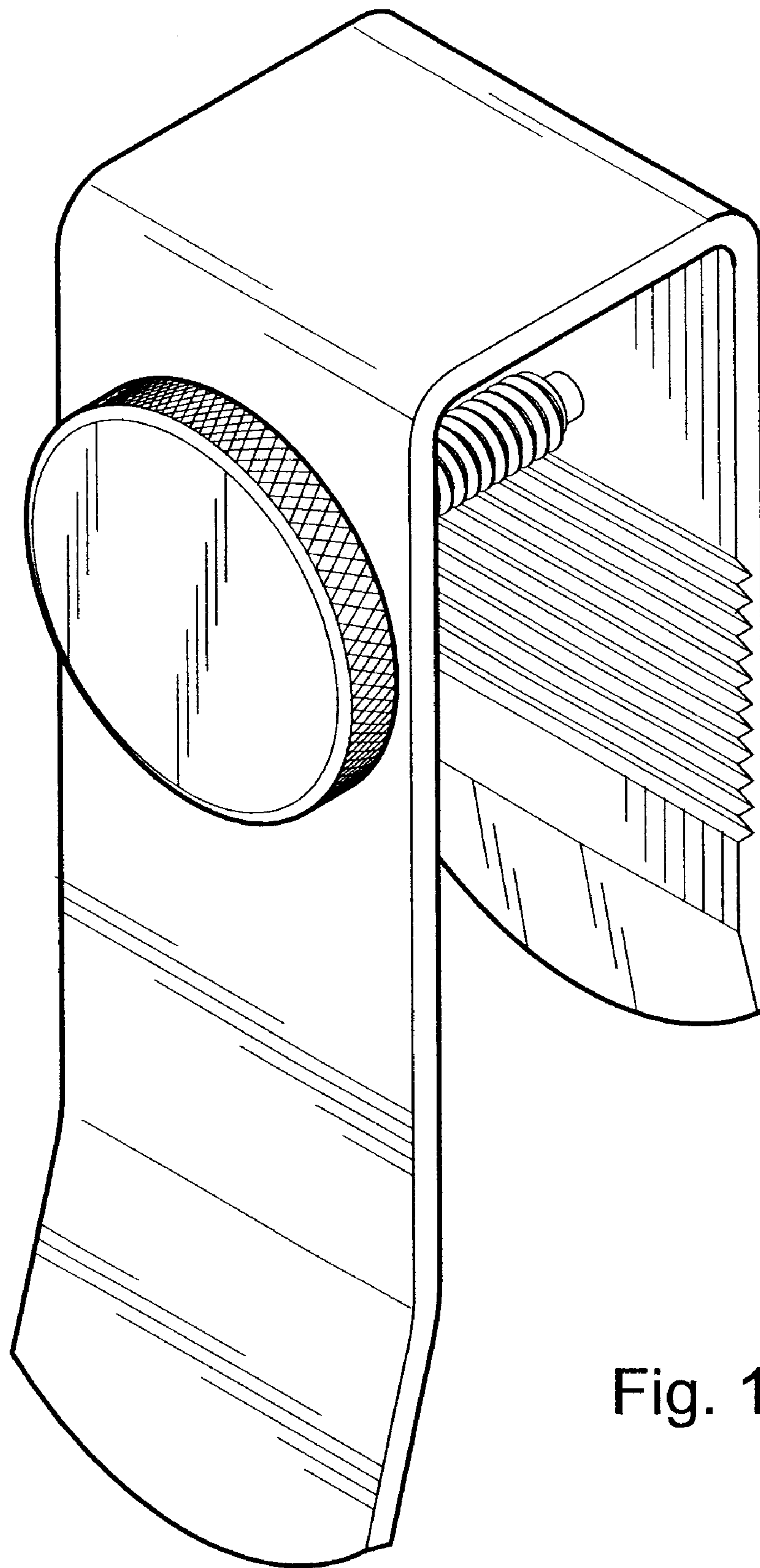


Fig. 1

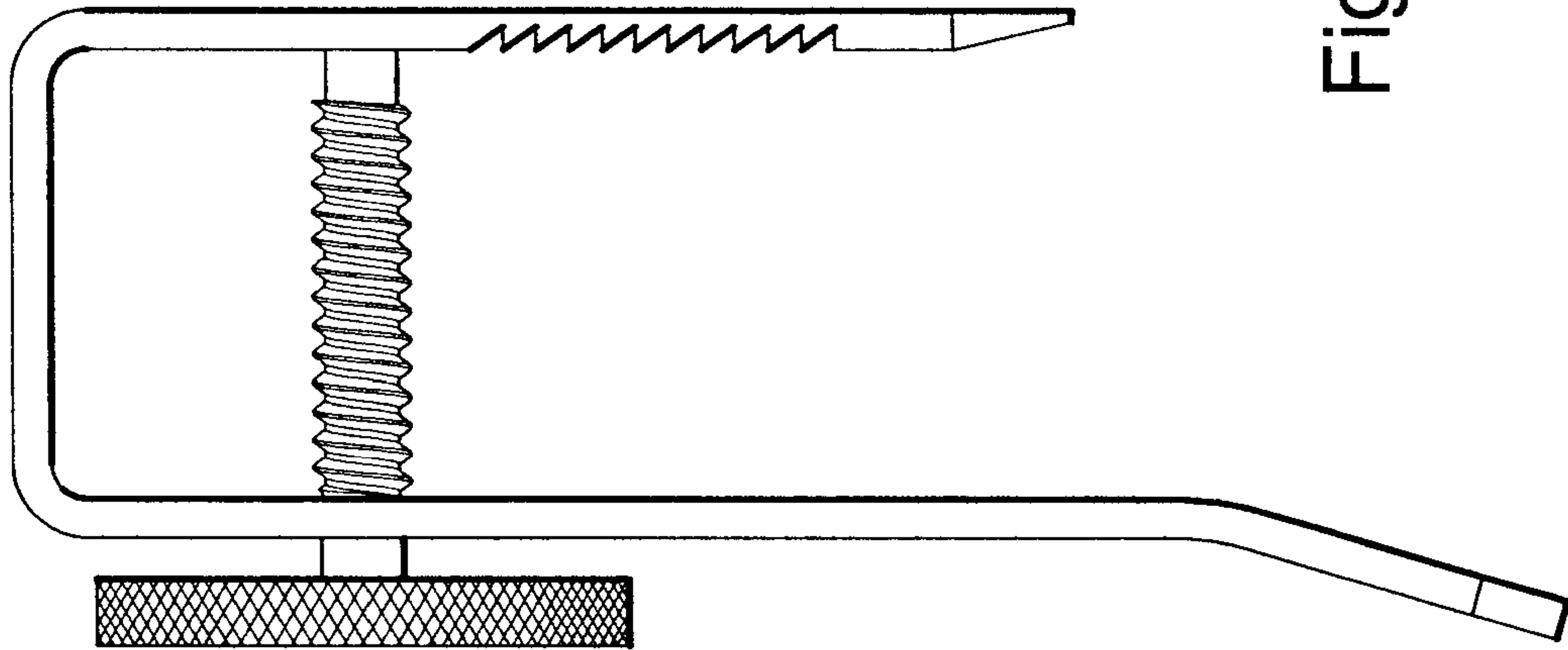


Fig. 3

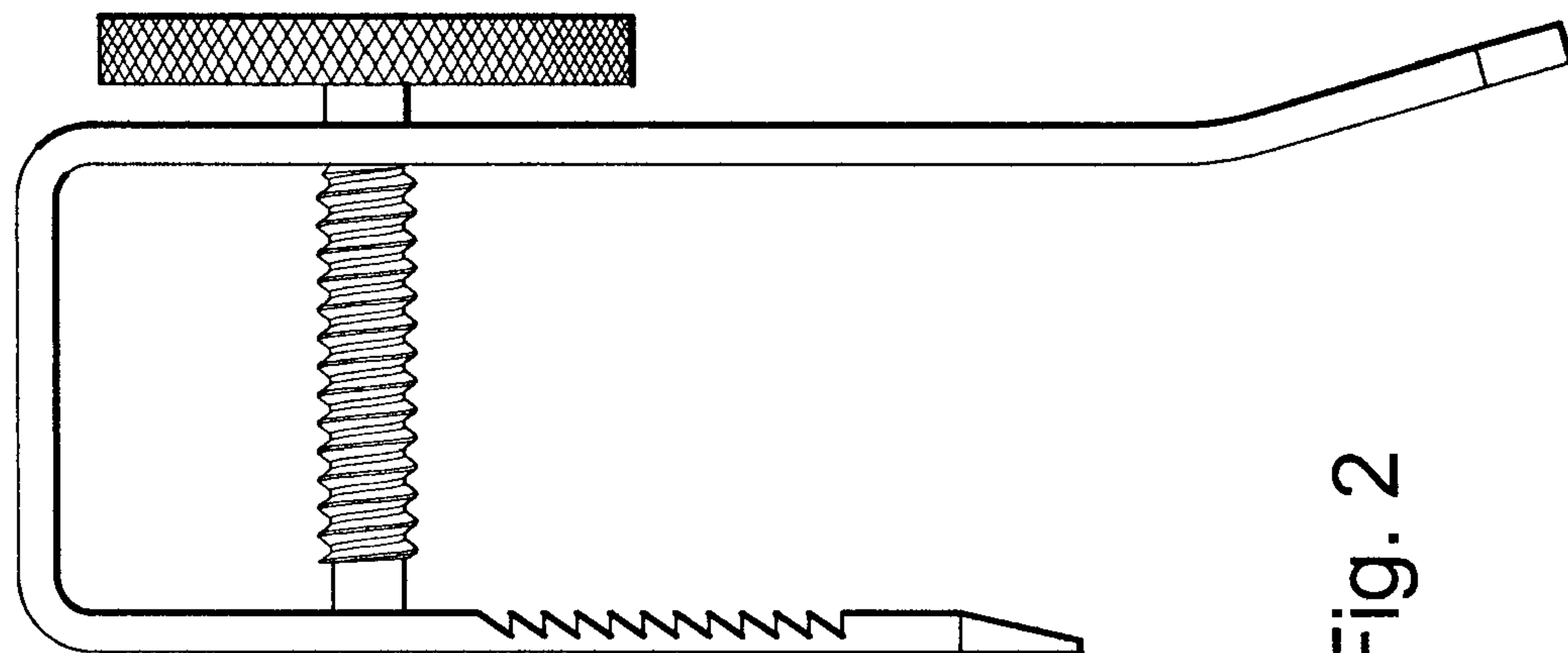


Fig. 2

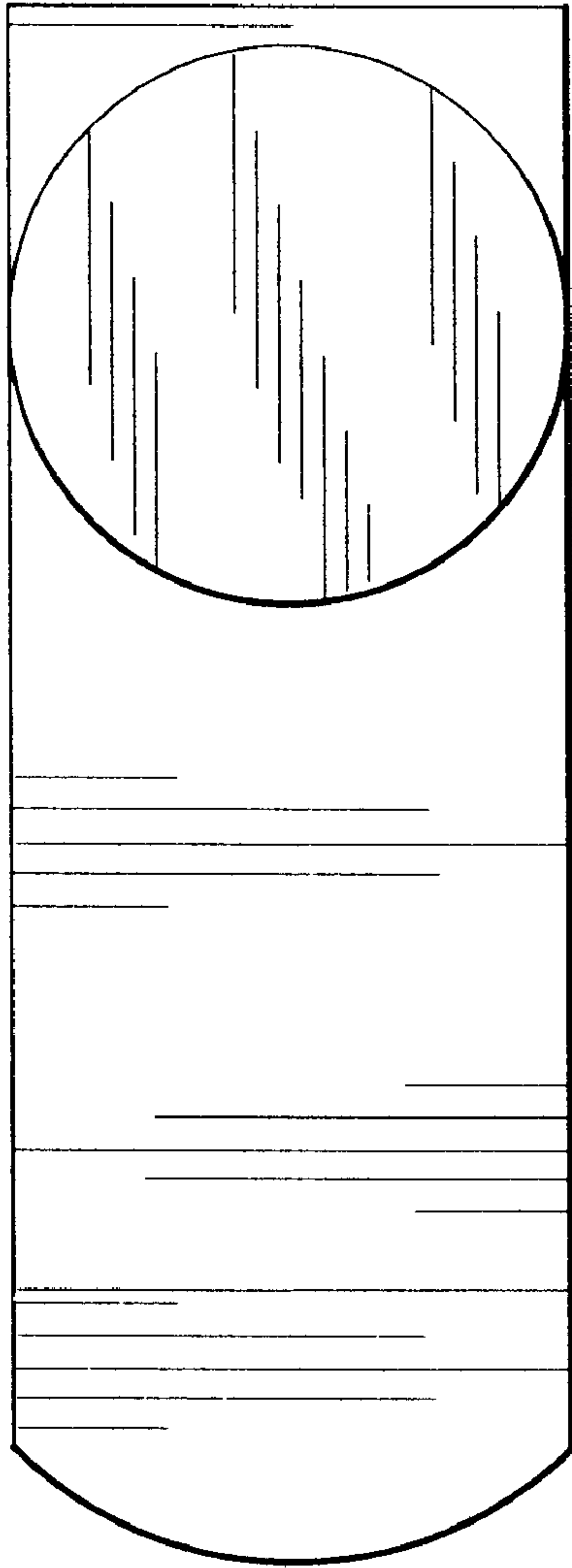


Fig. 4

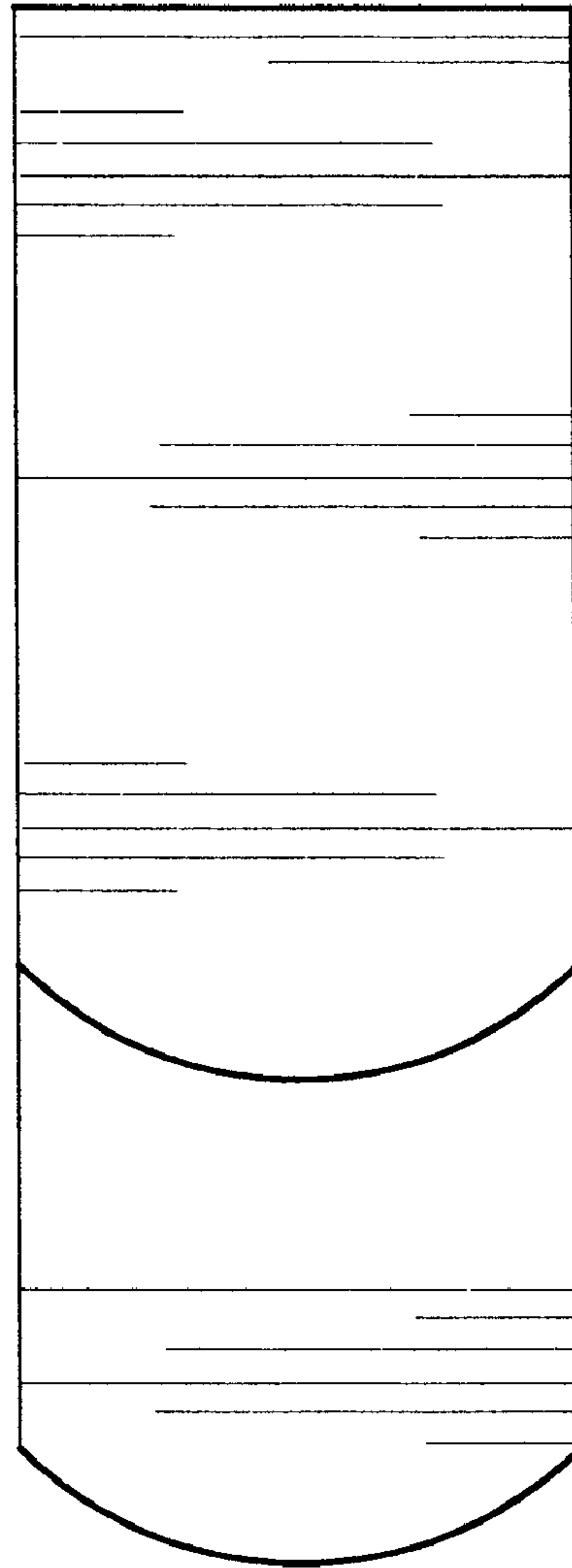


Fig. 5

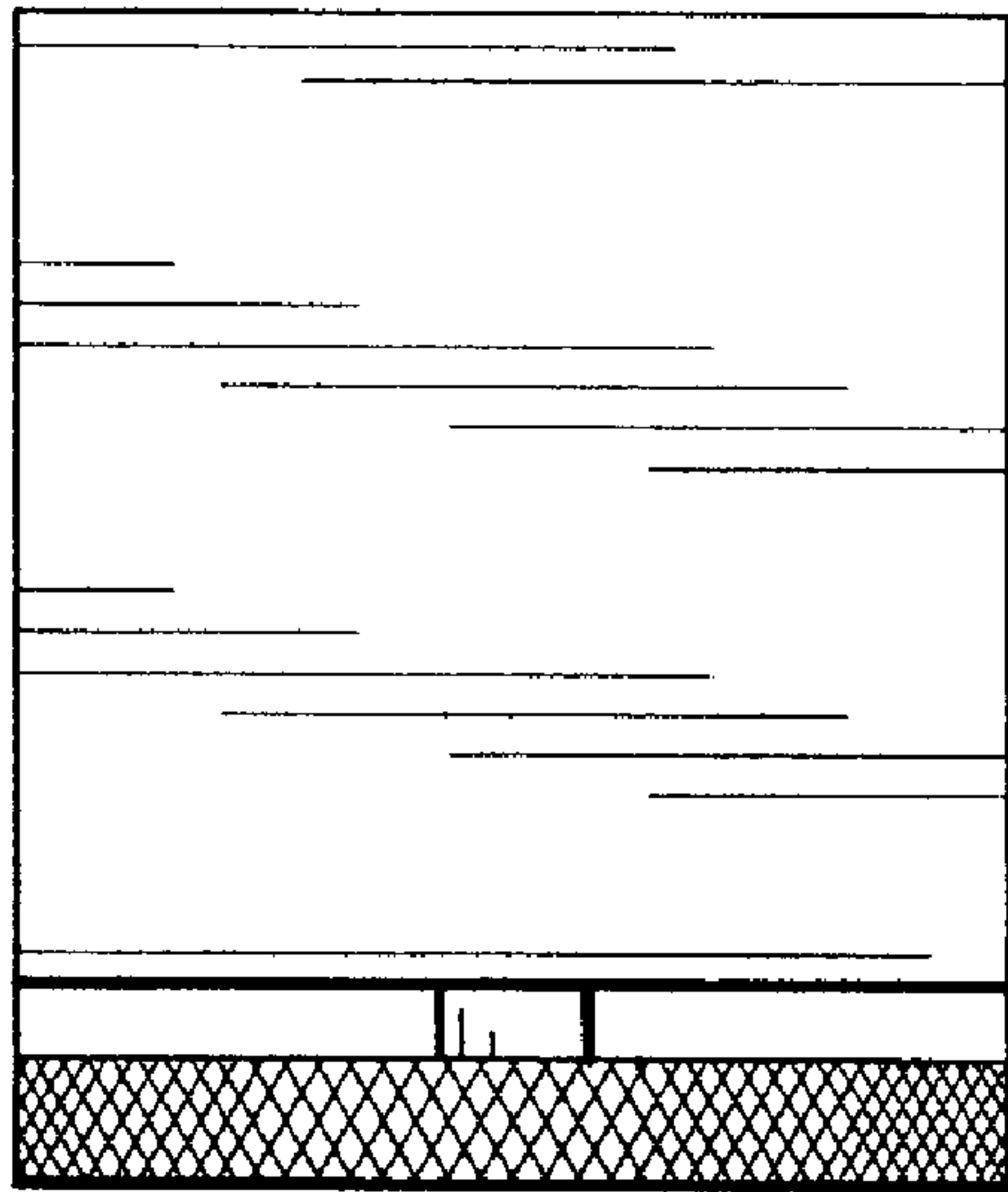


Fig. 6

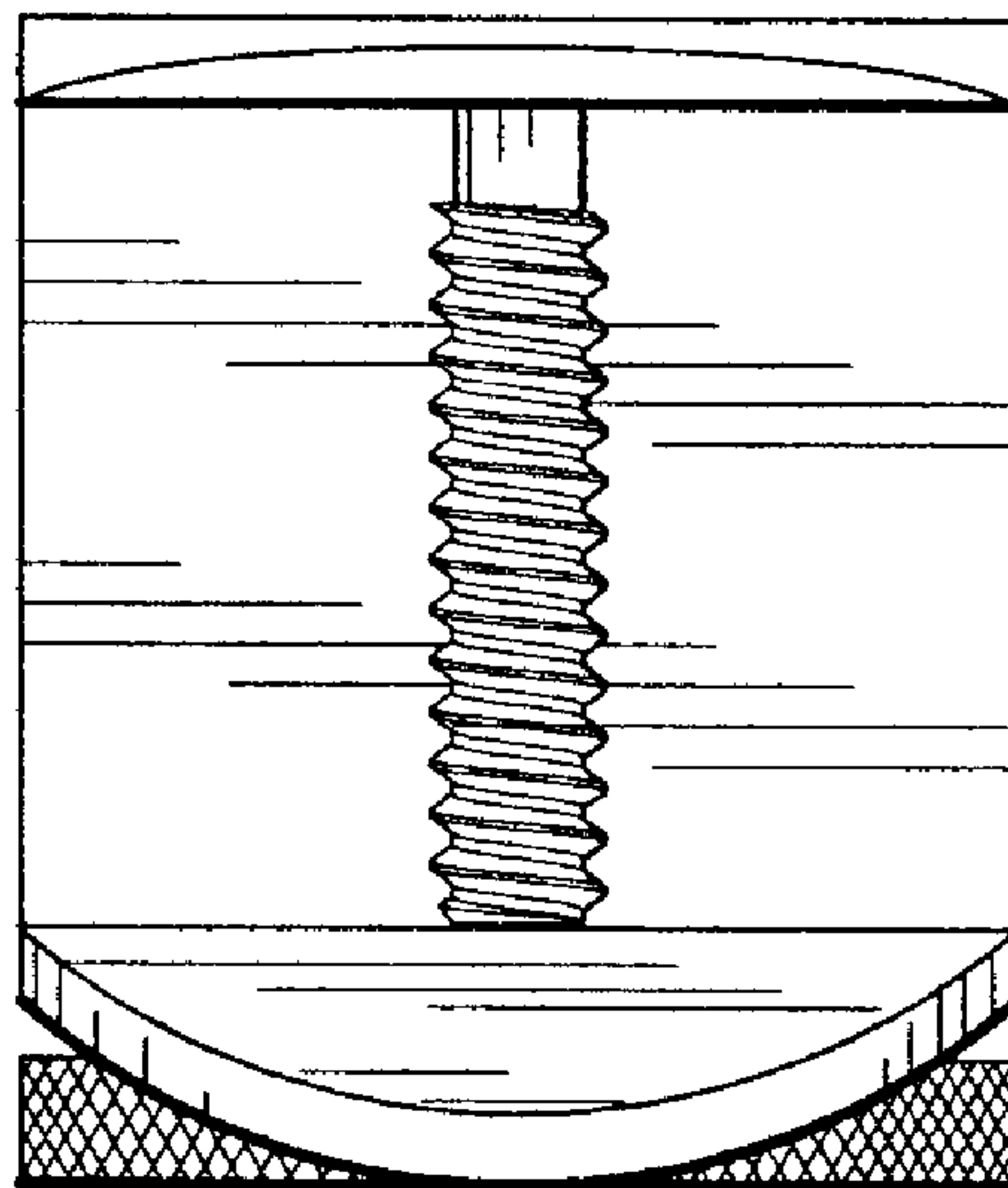


Fig. 7