



US00D519791S

(12) **United States Design Patent**  
**Bodum**

(10) **Patent No.:** **US D519,791 S**

(45) **Date of Patent:** **\*\* May 2, 2006**

(54) **GRINDER FOR SALT AND PEPPER**

(75) Inventor: **Jørgen Bodum**, St. Niklausen (CH)

(73) Assignee: **Pi-Design AG**, Triengen (CH)

(\*\*) Term: **14 Years**

(21) Appl. No.: **29/224,965**

(22) Filed: **Mar. 9, 2005**

(30) **Foreign Application Priority Data**

Sep. 10, 2004 (DK) ..... DA 2004 00281

(51) **LOC (8) Cl.** ..... **07-04**

(52) **U.S. Cl.** ..... **D7/679; D9/504**

(58) **Field of Classification Search** ..... D7/679,  
D7/590-598, 372-374, 383, 384; 241/168,  
241/169, 169.1, 273.1-273.4, 262, 286; D9/501-505  
See application file for complete search history.

(56) **References Cited**

**U.S. PATENT DOCUMENTS**

D258,257 S \* 2/1981 Bounds ..... D7/679  
D259,090 S \* 5/1981 Cowan ..... D7/596  
D336,728 S \* 6/1993 Ancona et al. .... D7/591

D414,418 S \* 9/1999 Nosella ..... D9/502  
6,164,574 A \* 12/2000 Weibel ..... 241/168  
D447,692 S \* 9/2001 Sobati ..... D9/503  
D451,806 S \* 12/2001 Stalder ..... D9/503  
6,663,031 B1 \* 12/2003 Henderson et al. .... 241/169.1

\* cited by examiner

*Primary Examiner*—Terry A. Wallace

(74) *Attorney, Agent, or Firm*—Cowan, Liebowitz & Latman, P.C.

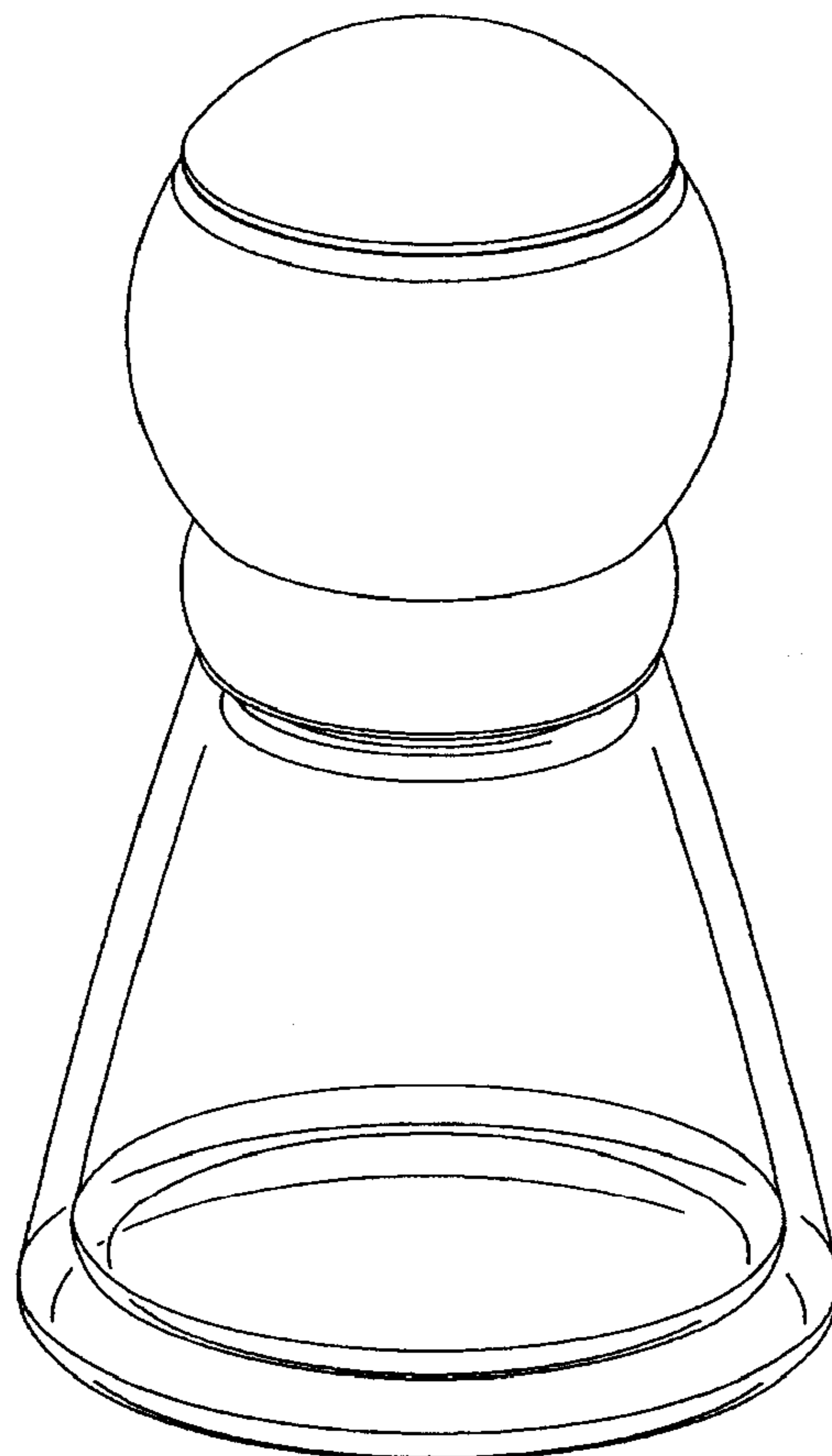
(57) **CLAIM**

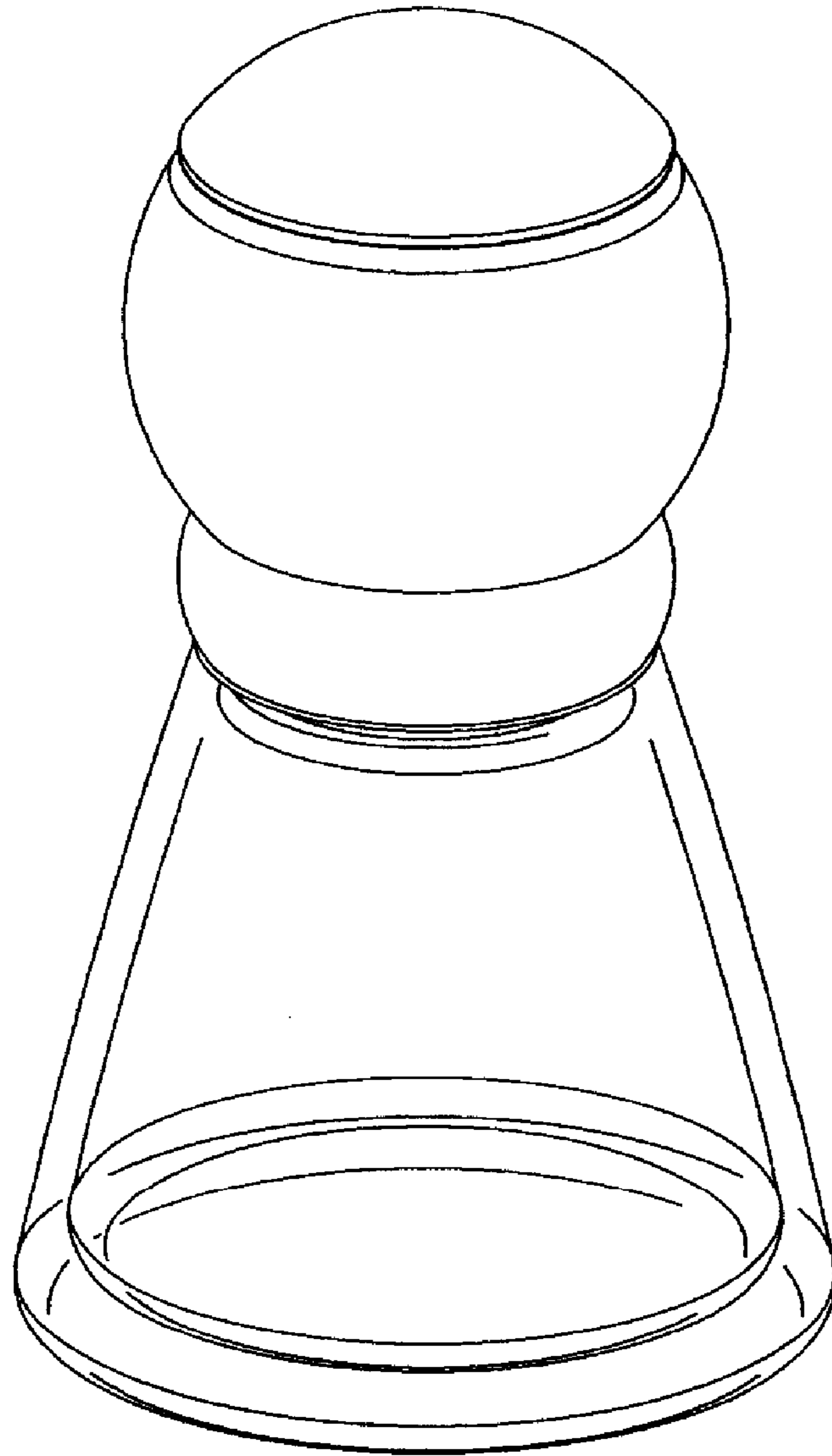
The ornamental design for a grinder for salt and pepper, as shown and described.

**DESCRIPTION**

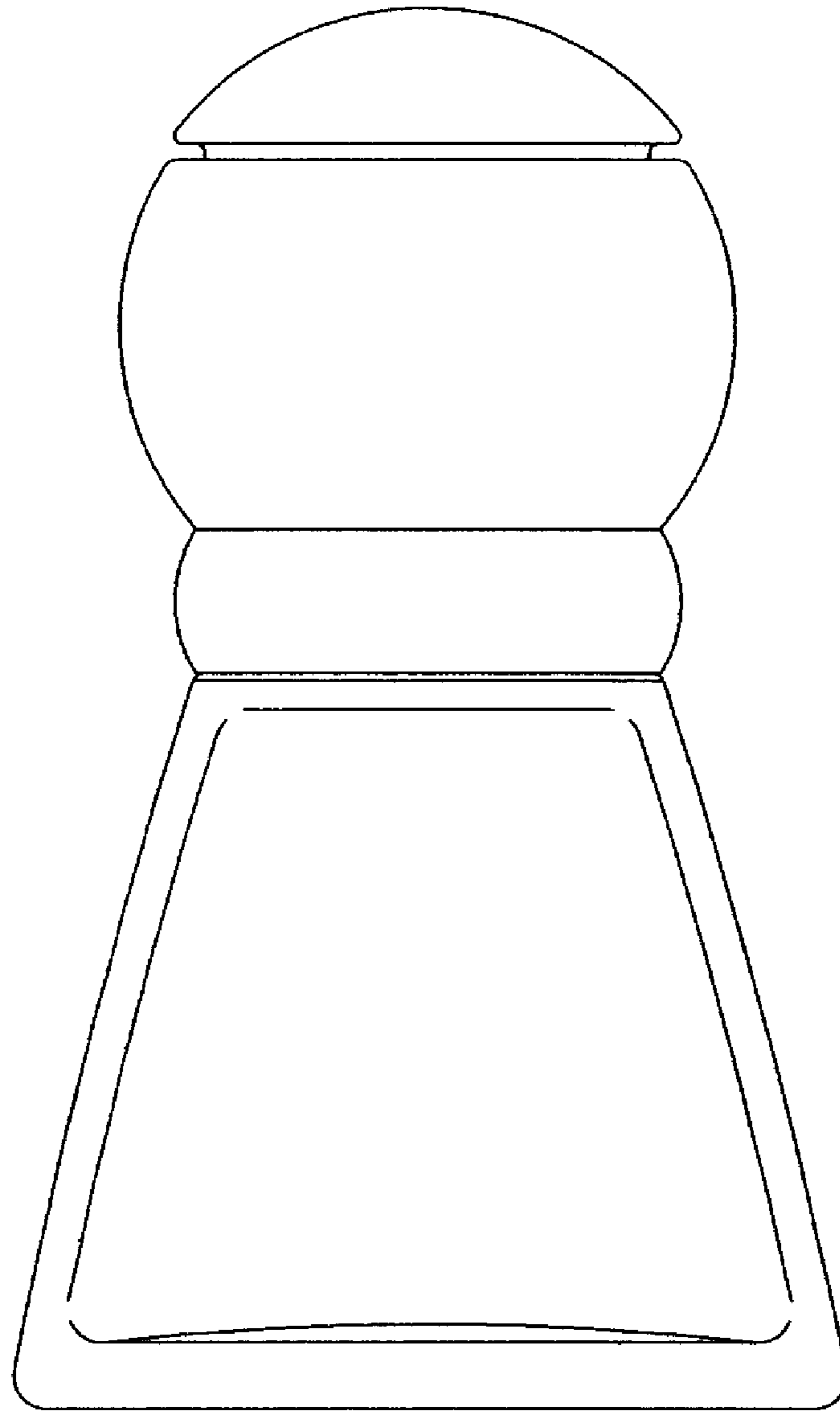
FIG. 1 is a perspective view of the grinder for salt and pepper showing my design thereof;  
FIG. 2 is a front view thereof, the rear view being identical thereto;  
FIG. 3 is a right side view thereof, the left side view being identical thereto;  
FIG. 4 is a top view thereof; and,  
FIG. 5 is a bottom view thereof.

**1 Claim, 5 Drawing Sheets**

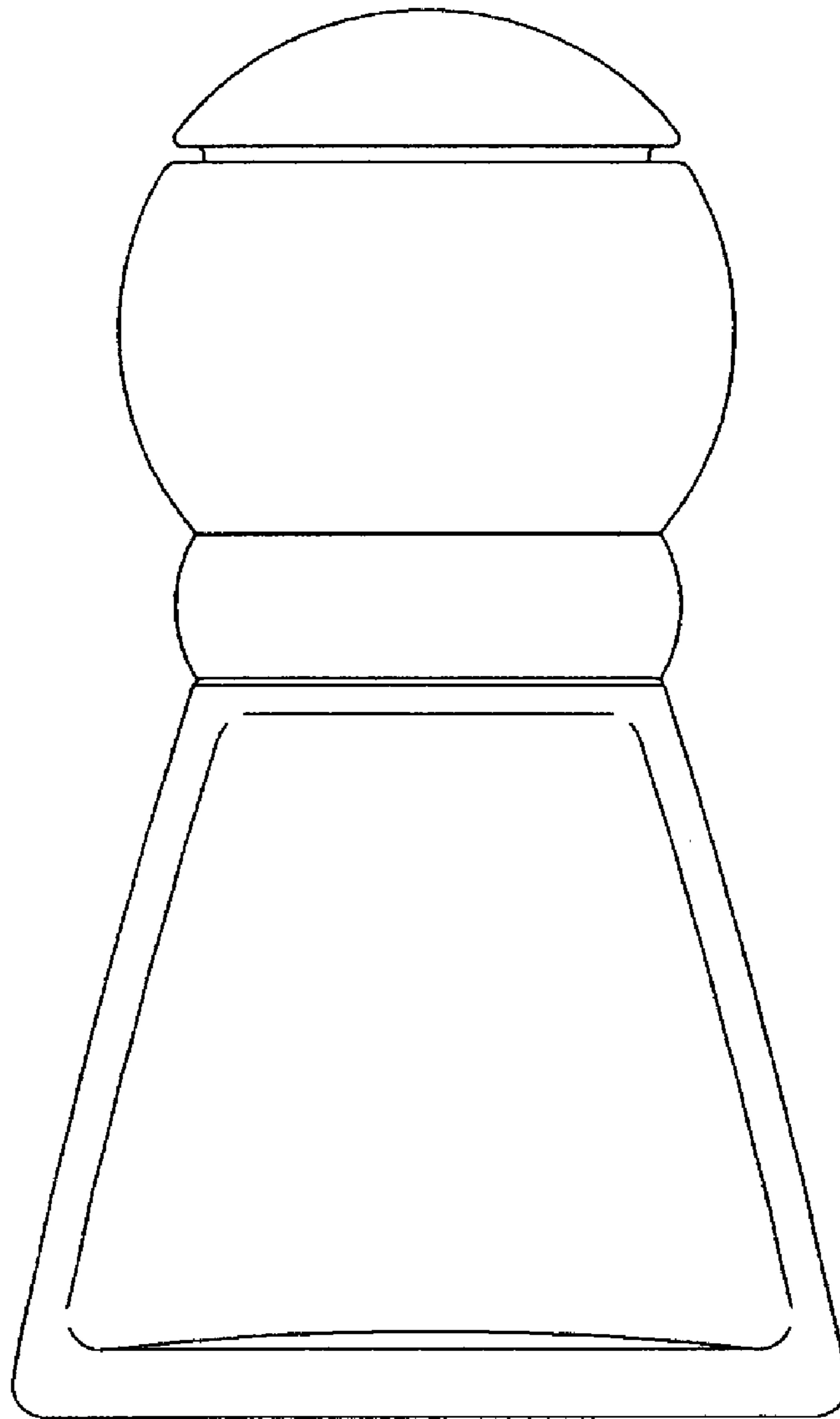




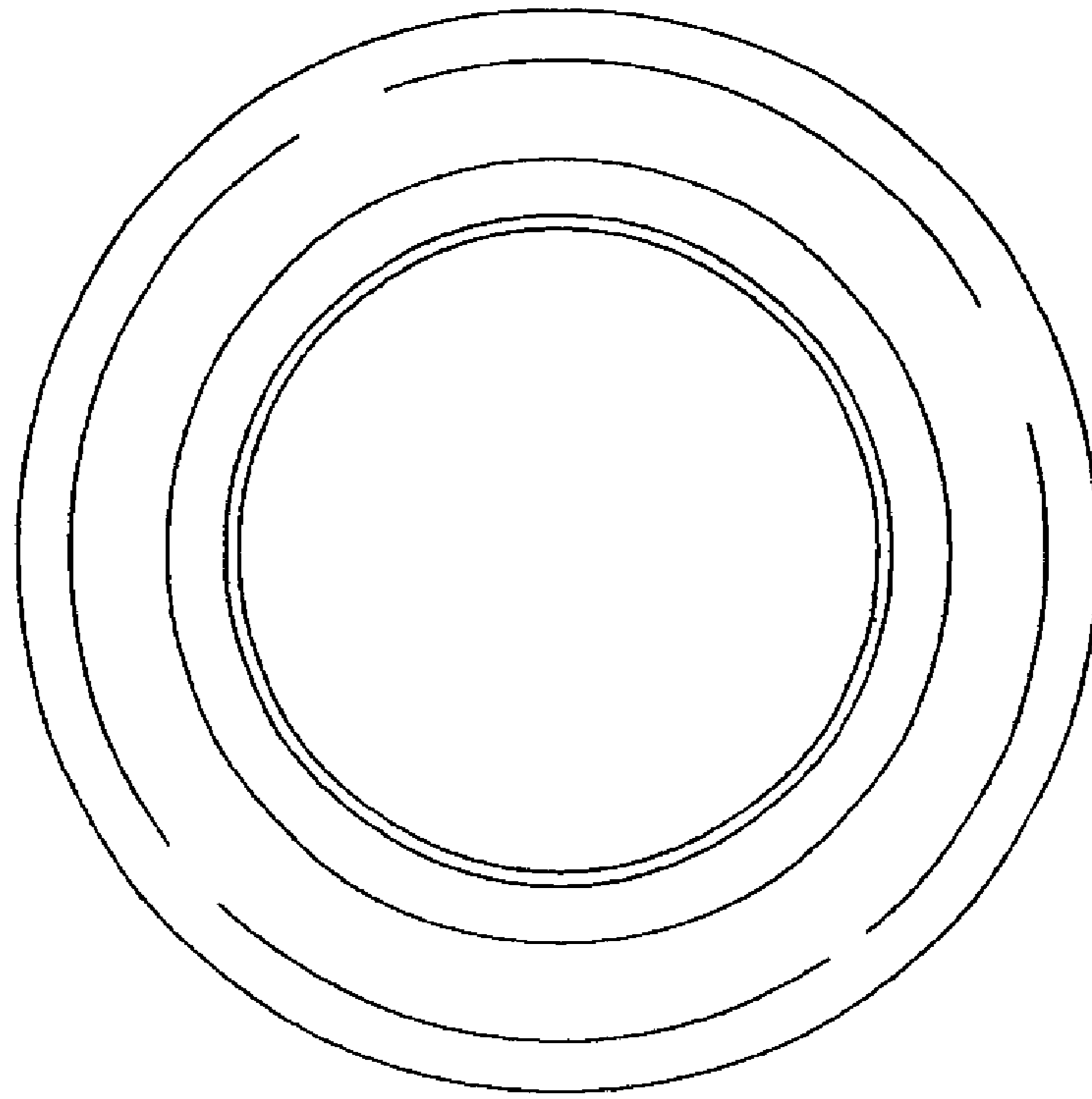
**FIG. 1**



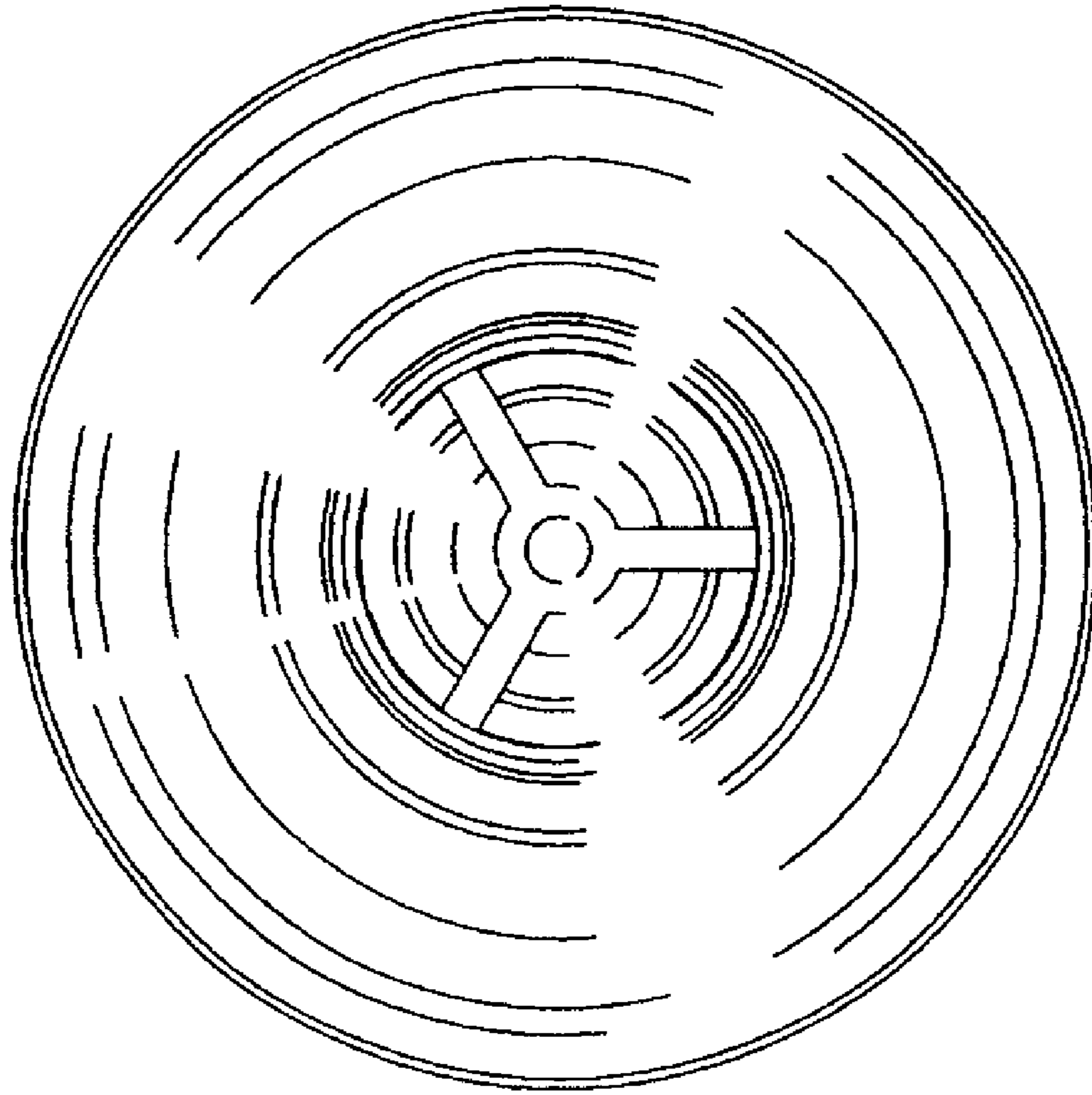
**FIG. 2**



**FIG. 3**



**FIG. 4**



**FIG. 5**