



US00D519785S

(12) **United States Design Patent**
Bodum

(10) **Patent No.:** **US D519,785 S**

(45) **Date of Patent:** **** May 2, 2006**

(54) **DRINKING GLASS**

(75) Inventor: **Jørgen Bodum**, St. Niklausen (CH)

(73) Assignee: **PI-Design AG**, Triengen (CH)

(**) Term: **14 Years**

(21) Appl. No.: **29/211,016**

(22) Filed: **Aug. 11, 2004**

(30) **Foreign Application Priority Data**

Feb. 18, 2004 (DK) DA 2004 00035

(51) **LOC (8) Cl.** **07-01**

(52) **U.S. Cl.** **D7/523; D7/509**

(58) **Field of Classification Search** D7/509,
D7/523, 535, 531, 532, 619.1; D34/1; D11/146,
D11/143; D9/522, 526; 220/608, 675, 703,
220/592.16, 592.17; 229/400; 215/DIG. 7,
215/12.1, 382, 383, 384, 387; 62/457.3, 530

See application file for complete search history.

(56) **References Cited**

U.S. PATENT DOCUMENTS

D4,225 S * 7/1870 Atterbury et al. D9/500
1,771,186 A * 7/1930 Mock 62/457.3
1,968,263 A * 7/1934 Reuther 215/12.1
2,876,634 A * 3/1959 Zimmerman et al. 62/457.3
3,269,144 A * 8/1966 Paris 62/457.3
3,363,820 A * 1/1968 Schilling 229/400
3,394,562 A * 7/1968 Coleman 62/457.3

D222,375 S * 10/1971 Bencik D7/523
3,730,385 A * 5/1973 Rost 206/520
D289,484 S * 4/1987 Forquer et al. D7/532
5,076,463 A * 12/1991 McGraw 220/592.17
5,090,213 A * 2/1992 Glassman 62/457.3
D438,430 S * 3/2001 Gabrhel D7/523
D480,603 S * 10/2003 Joss et al. D7/535
D508,594 S * 8/2005 Snell D34/1

OTHER PUBLICATIONS

Double Wall Doubleold-Fashioned Glasses Pavina by Bodum Oct. 21, 2005.*

* cited by examiner

Primary Examiner—M. N. Pandozzi

(74) *Attorney, Agent, or Firm*—Nath & Associates PLLC; Gary M. Nath; Gregory B. Kang

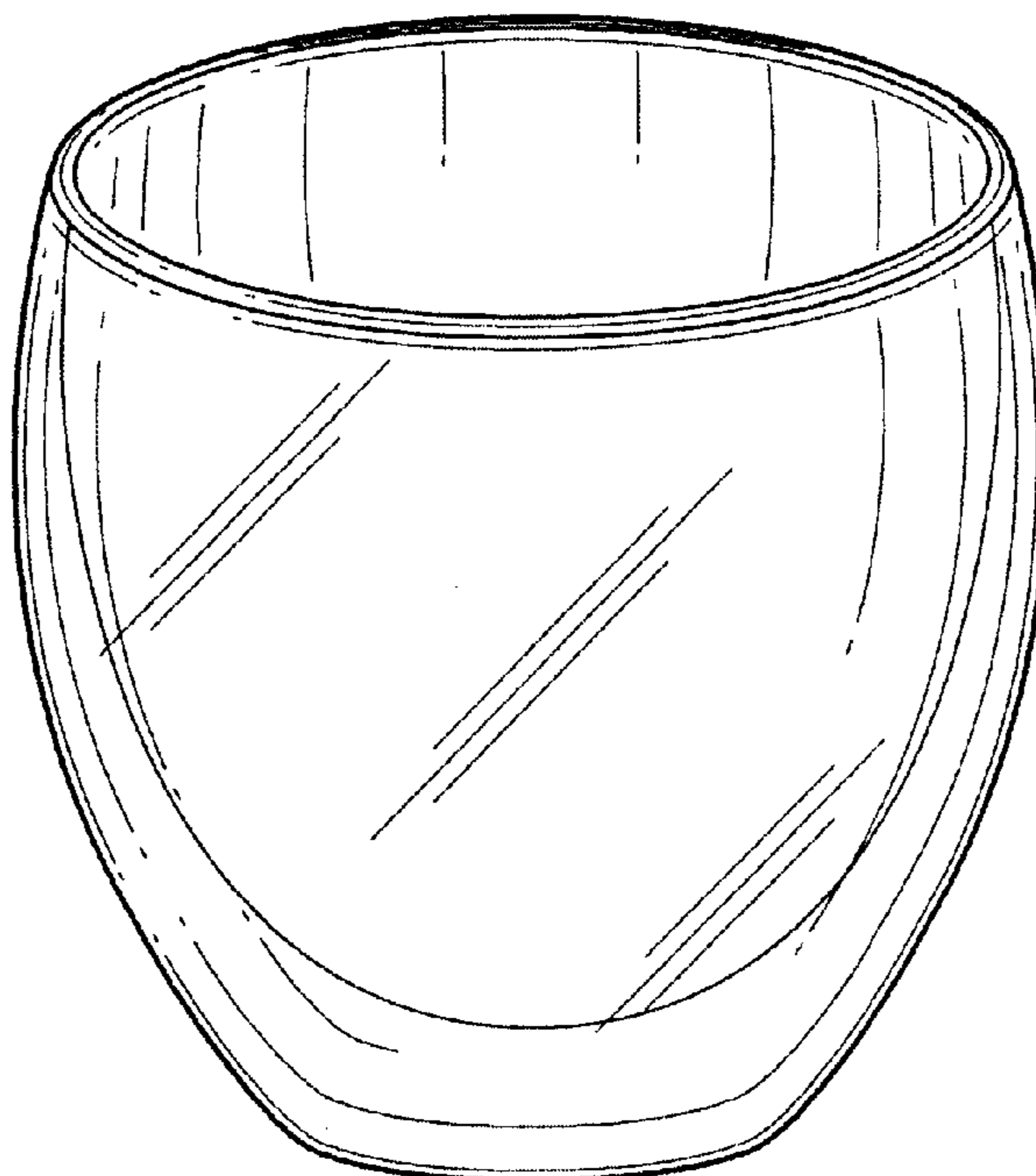
(57) **CLAIM**

The ornamental design for a drinking glass, as shown and described.

DESCRIPTION

FIG. 1 is a perspective view of the drinking glass;
FIG. 2 is a front view of the drinking glass of FIG. 1;
FIG. 3 is a rear view of the drinking glass;
FIG. 4 is a right side view of the drinking glass;
FIG. 5 is a left side view of the drinking glass;
FIG. 6 is a top view of the drinking glass;
FIG. 7 is a bottom view of the drinking glass; and,
FIG. 8 is a sectional view taken along line 8—8 of FIG. 6.

1 Claim, 5 Drawing Sheets



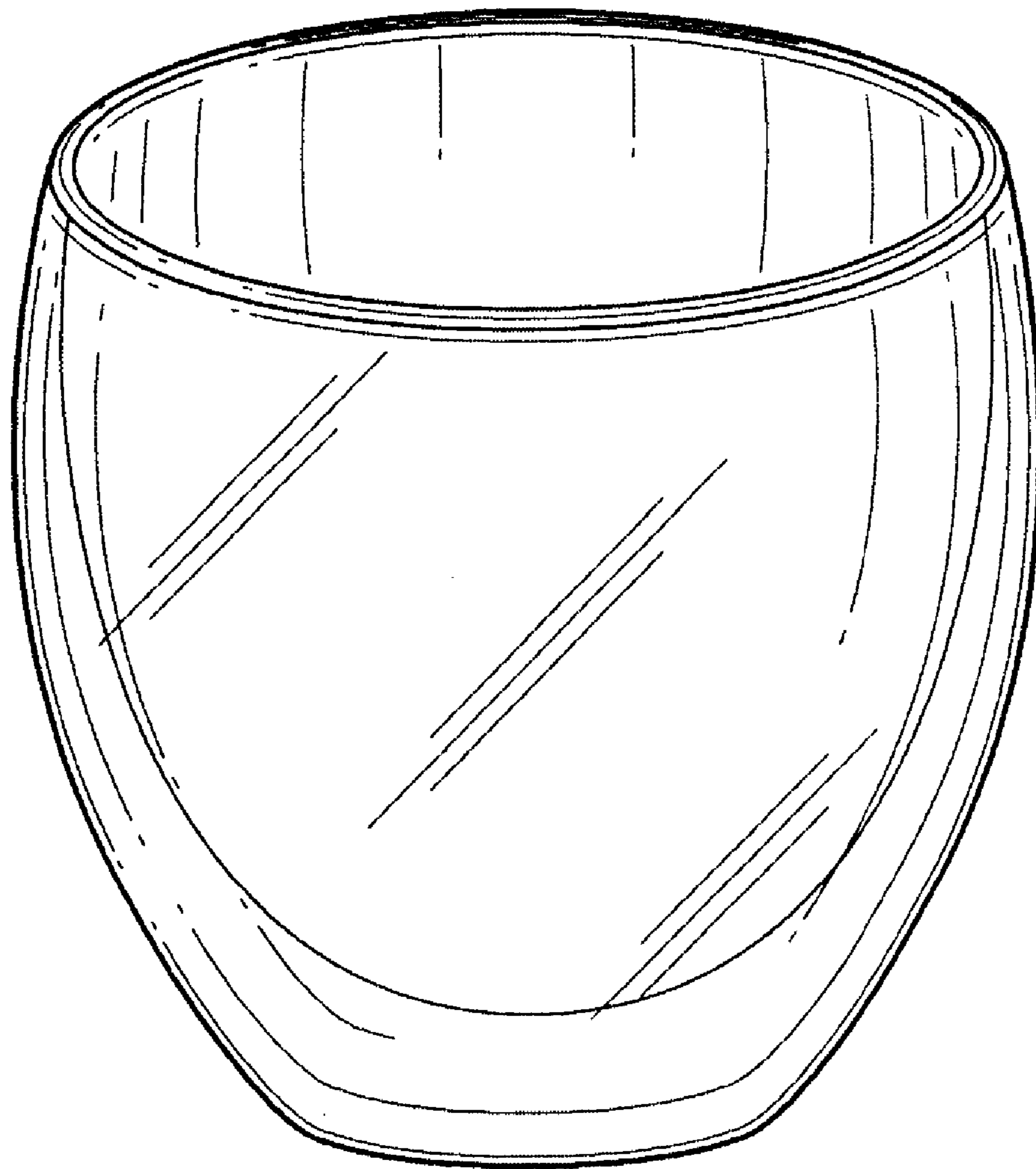


FIG. 1

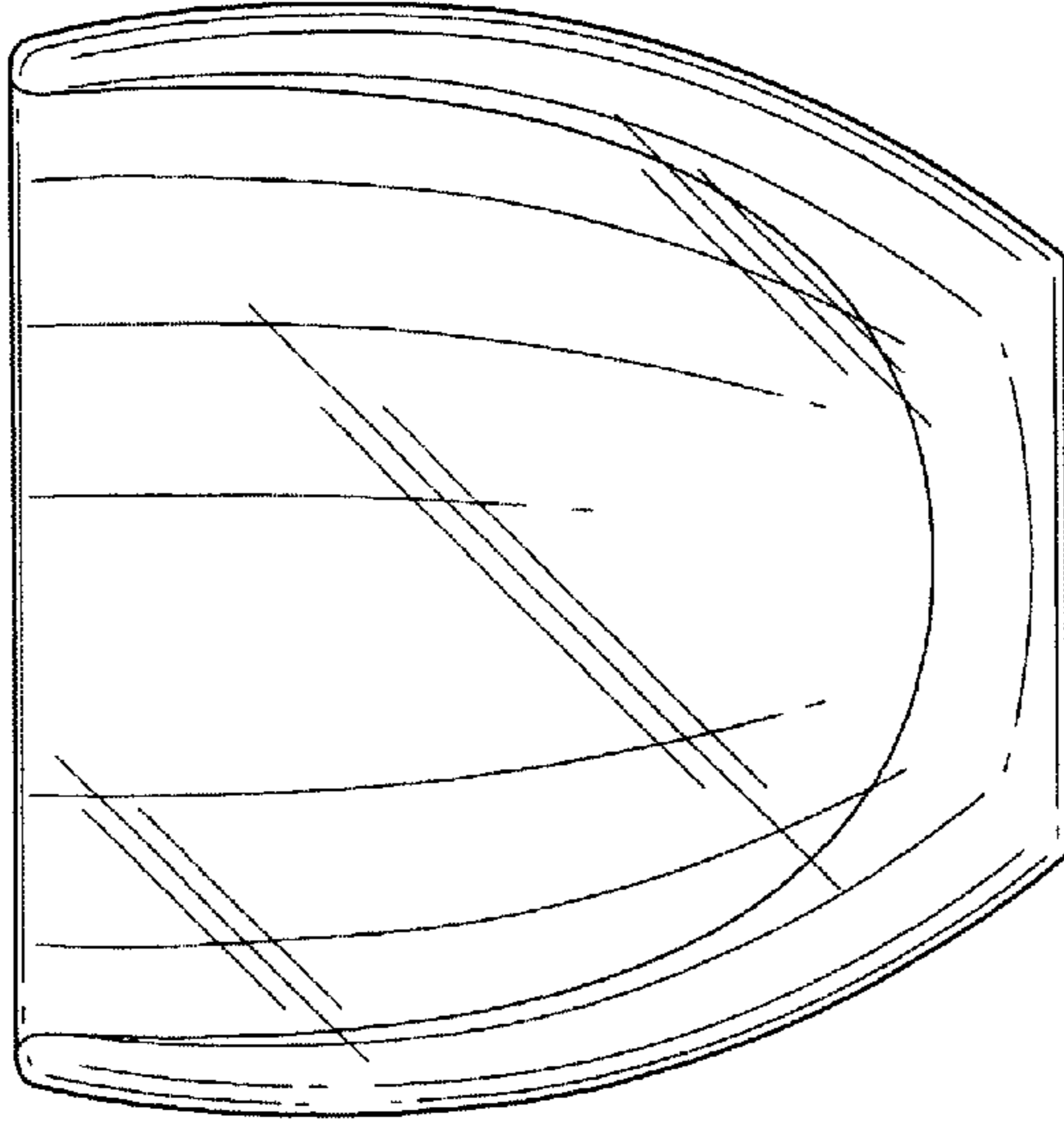


FIG. 3

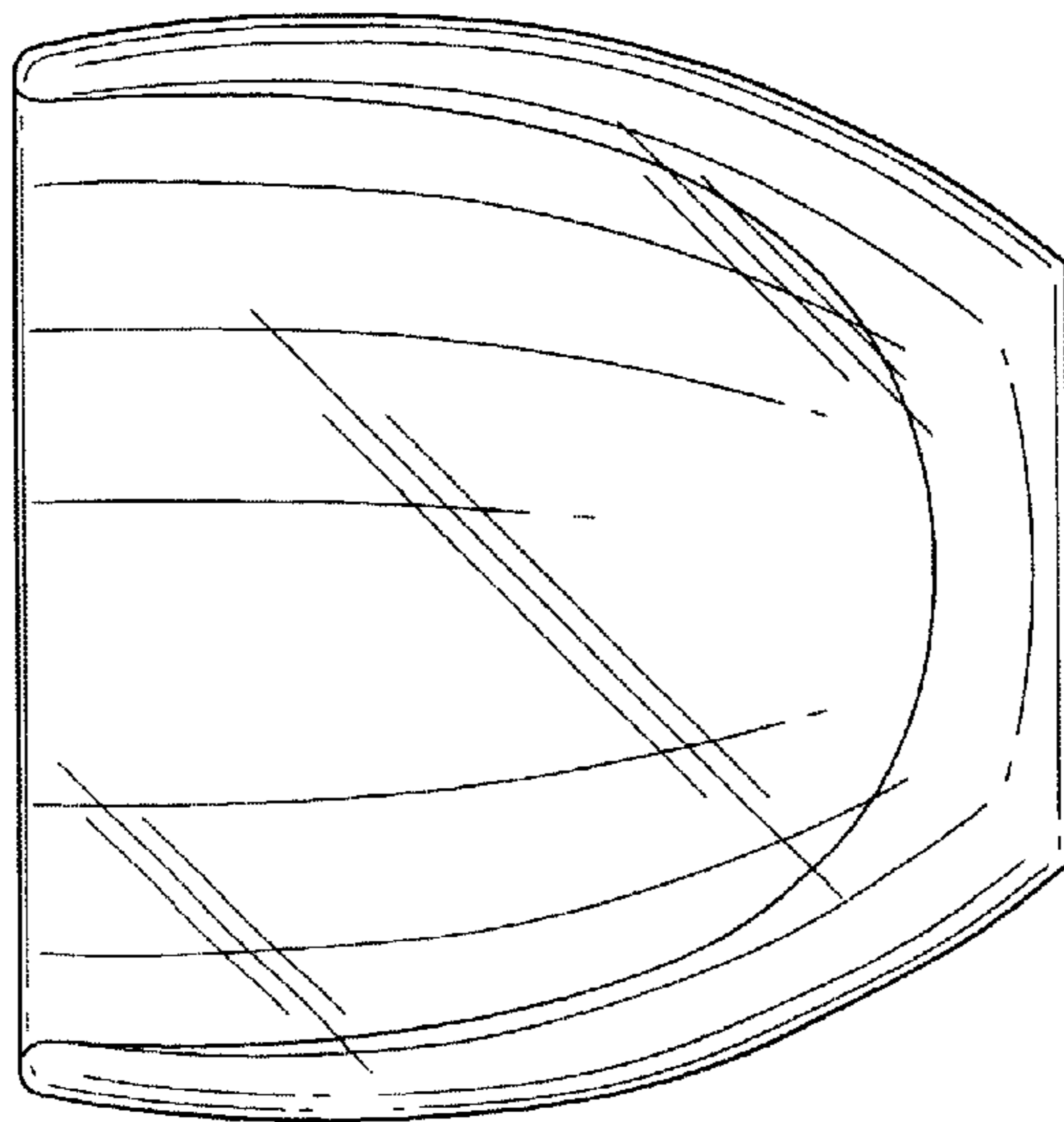


FIG. 2

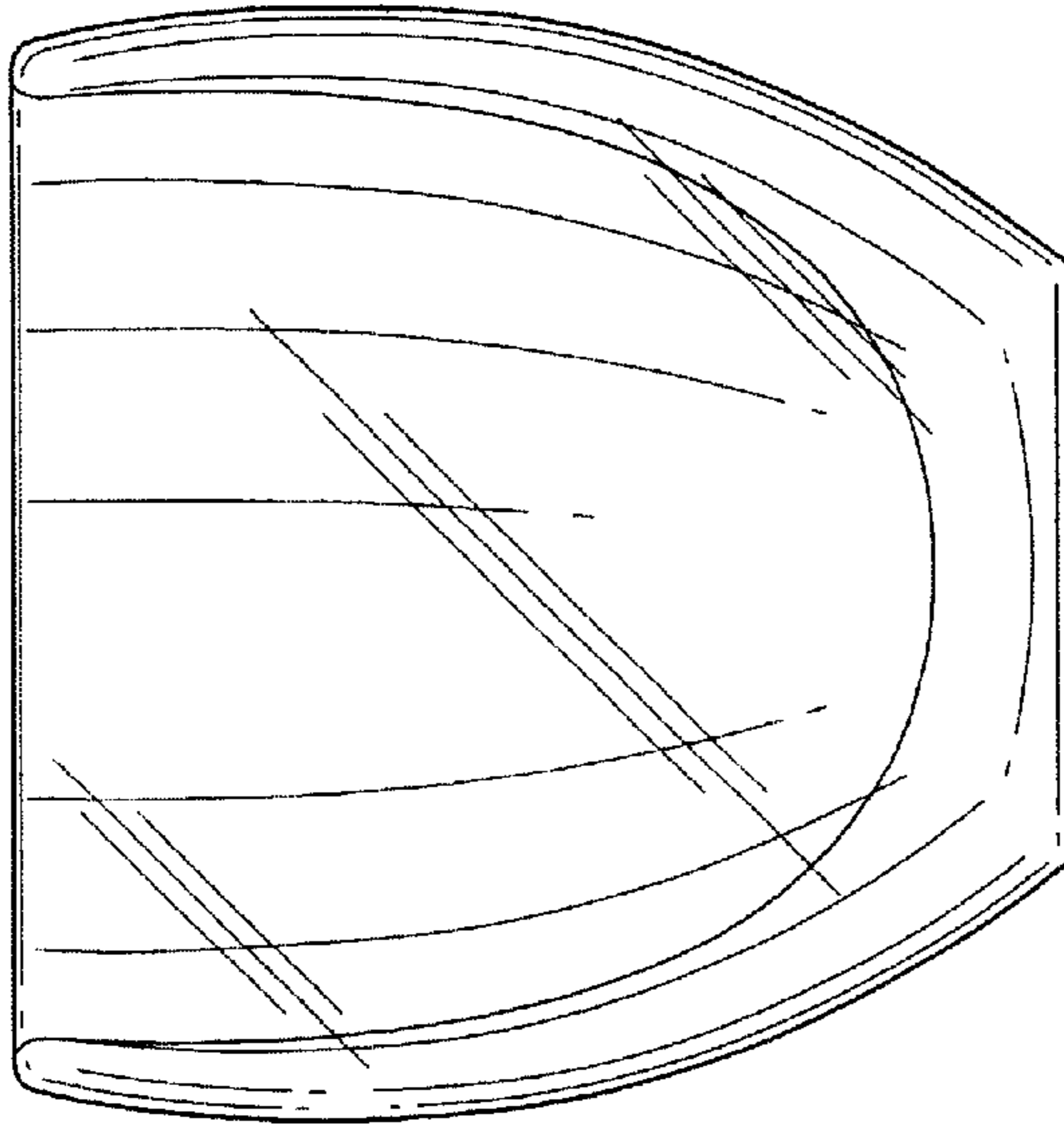


FIG. 4

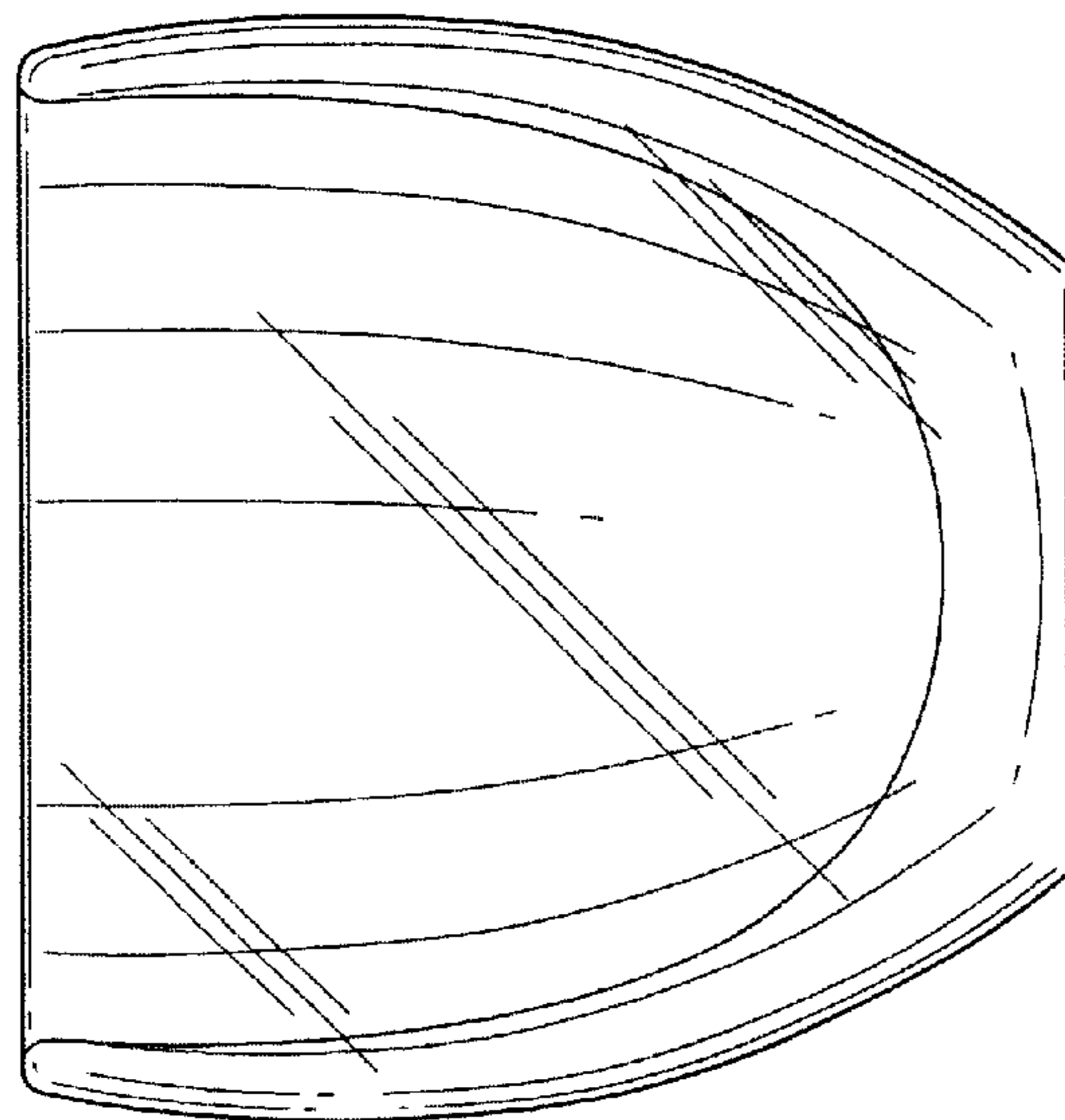


FIG. 5

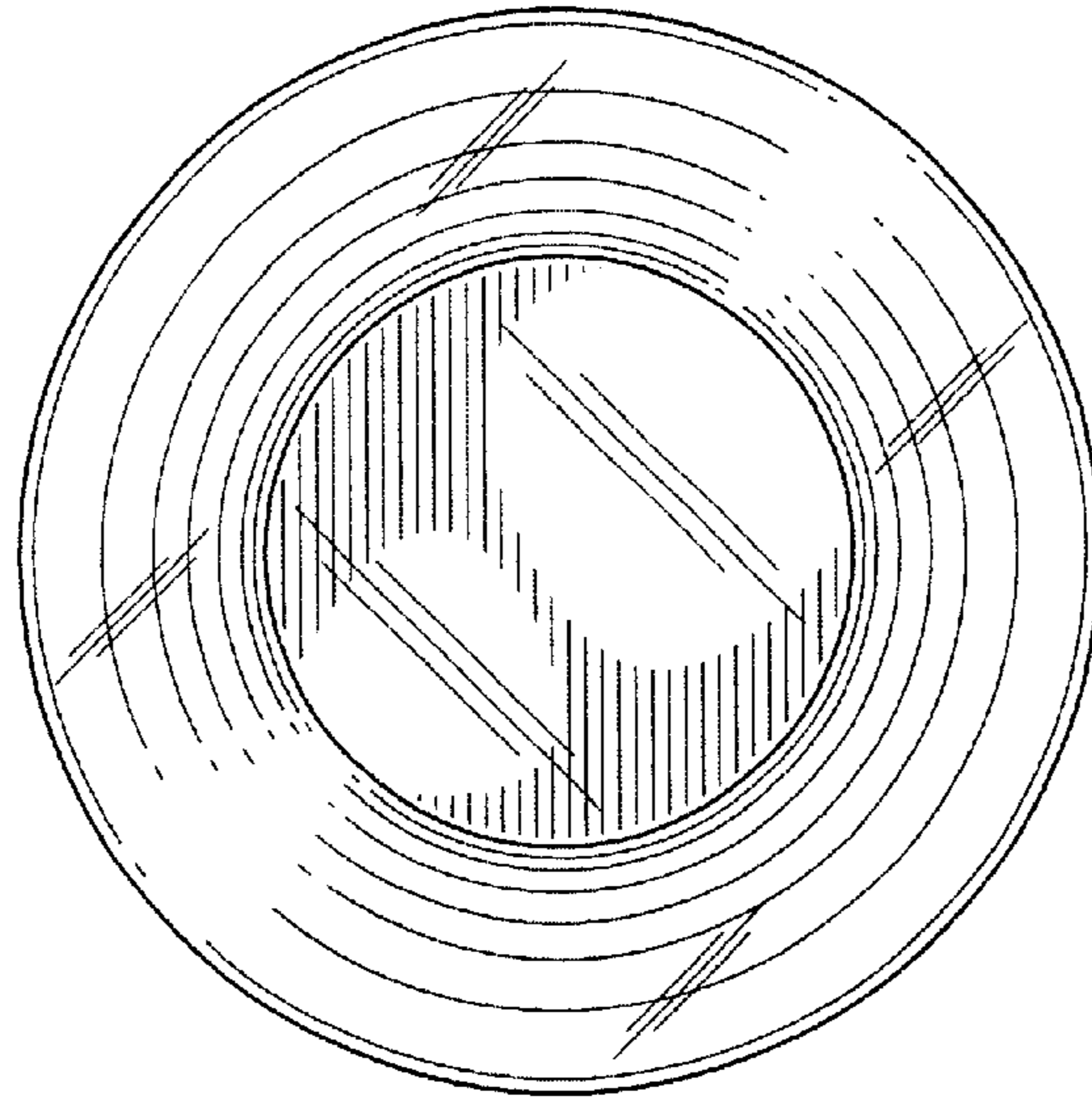


FIG. 7

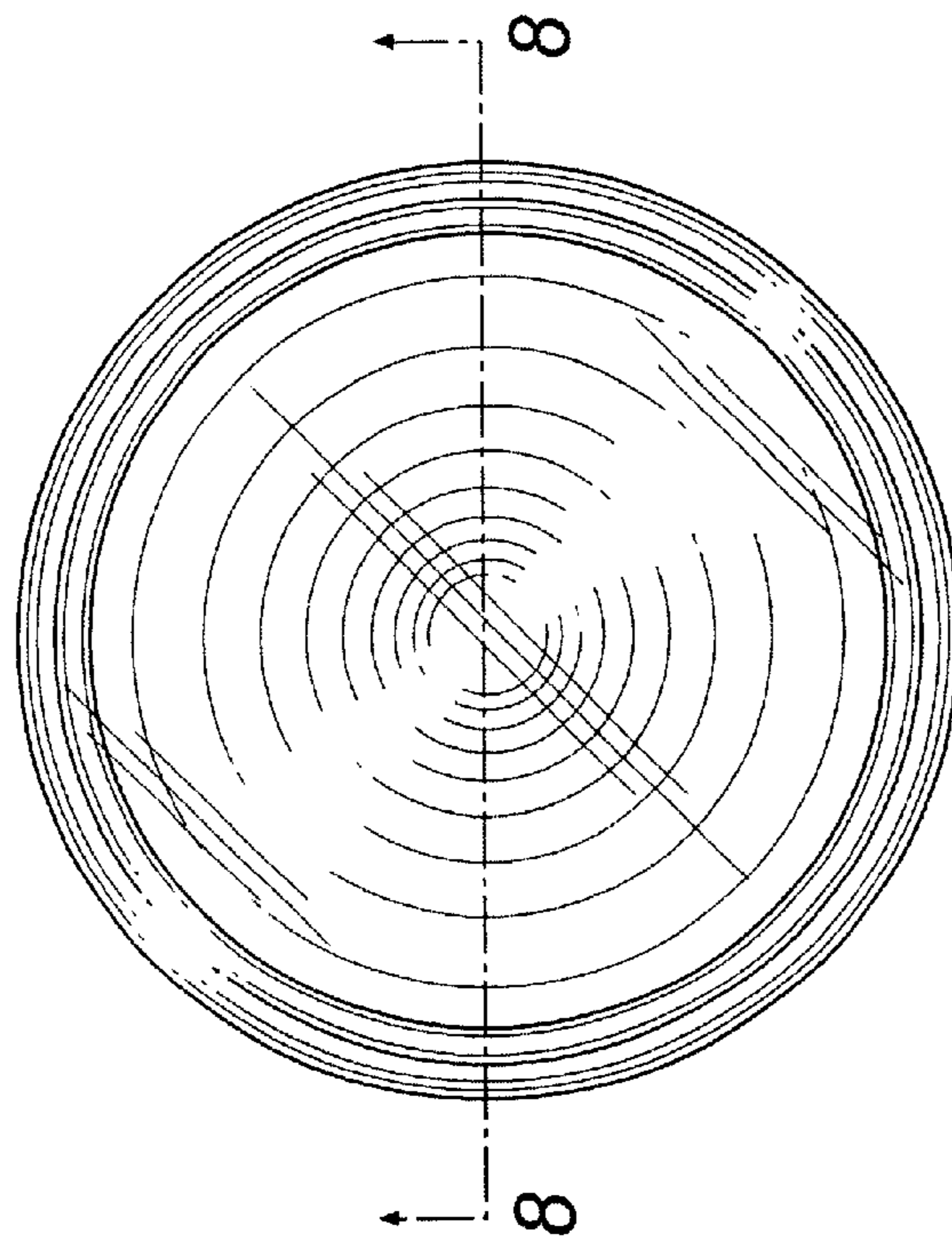


FIG. 6

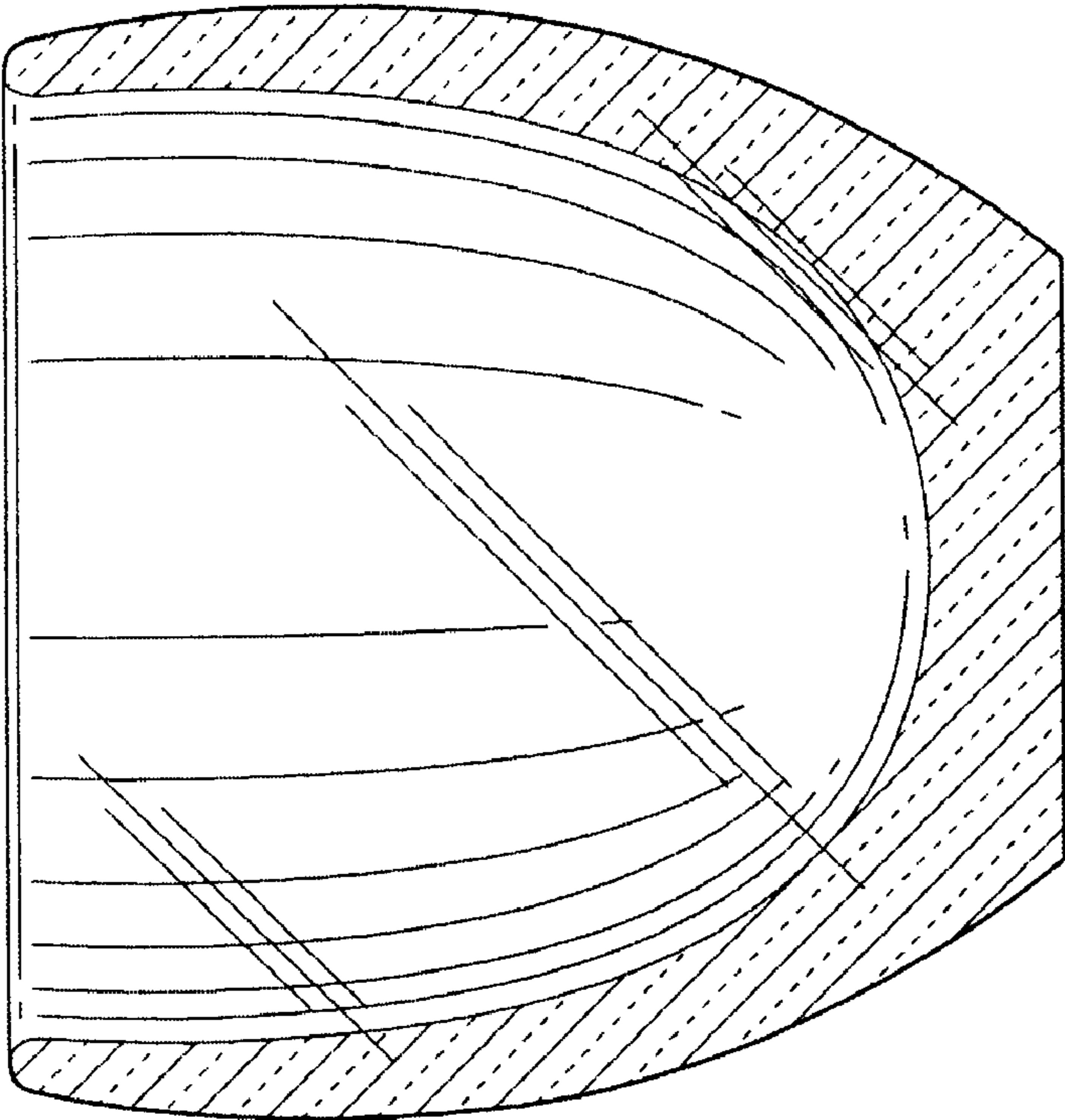


FIG. 8

UNITED STATES PATENT AND TRADEMARK OFFICE
CERTIFICATE OF CORRECTION

PATENT NO. : Des. 519,785 S
APPLICATION NO. : 29/211016
DATED : May 2, 2006
INVENTOR(S) : Bodum

Page 1 of 1

It is certified that error appears in the above-identified patent and that said Letters Patent is hereby corrected as shown below:

Last Page, Sheet 5 of 5, Please replace FIG. 8 with figure shown:

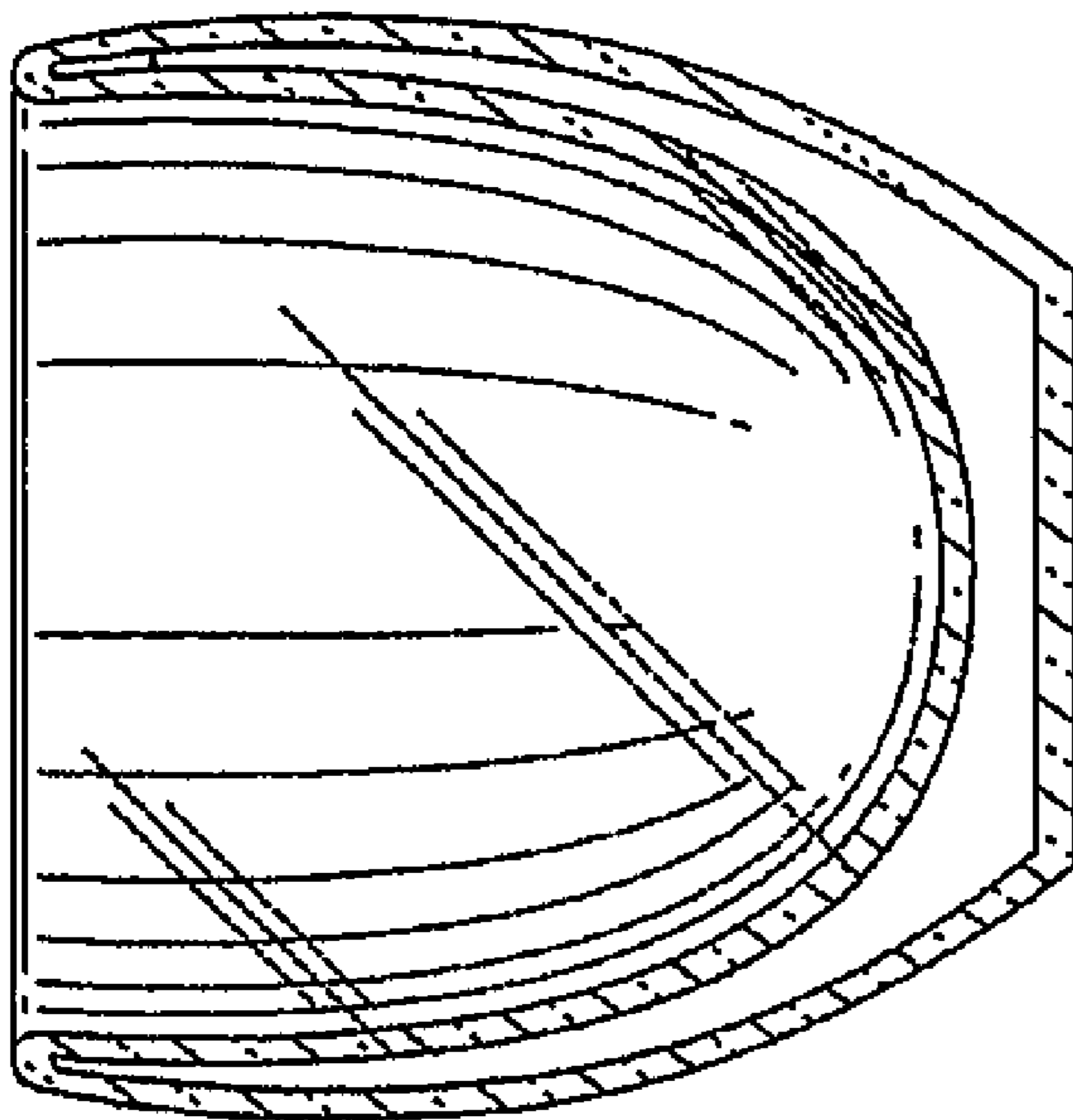


FIG. 8

Signed and Sealed this

Twenty-seventh Day of March, 2007

JON W. DUDAS

Director of the United States Patent and Trademark Office