



US00D519780S

(12) **United States Design Patent**
Lai

(10) **Patent No.:** **US D519,780 S**

(45) **Date of Patent:** **** May 2, 2006**

(54) **DECORATION FOR CONTAINERS**

(76) Inventor: **Ming-Hsiao Lai**, No. 8, Lane 2, Kung
Chi Village, Ta Tsuen Hsiang,
Chang-Hua Hsien (TW)

(**) Term: **14 Years**

(21) Appl. No.: **29/195,988**

(22) Filed: **Dec. 22, 2003**

(51) **LOC (8) Cl.** **07-99**

(52) **U.S. Cl.** **D7/396.4; D5/7; D5/99;**
D7/523; D7/532

(58) **Field of Classification Search** D6/1-3,
D6/5, 7-8, 11, 13-16, 19-20, 23-28, 30,
D6/32, 35-37, 39, 43, 45, 47, 49-50, 52-66,
D6/99, 582-583, 595-596, 598, 608, 613,
D6/616, 617, 619, 622; D2/479, 994; 428/17-18,
428/151, 154, 156, 171, 187, 198, 199, 540,
428/542.2, 542, 919, 904.4; D24/124, 128;
D25/142, 152; D21/605; 5/413 AM, 709;
162/134, 140, 231; 156/148, 209; D7/523,
D7/532, 396.4-5; D9/516, 551

See application file for complete search history.

(56) **References Cited**

U.S. PATENT DOCUMENTS

D8,924 S	*	1/1876	Curtis	D5/7
D12,953 S	*	5/1882	Einstein	D5/47
D18,771 S	*	11/1888	Stimpson	D5/7
D45,045 S	*	12/1913	Henckel	D7/396.5
D63,984 S	*	2/1924	Walbrecker	D5/7
D103,851 S	*	3/1937	Eisenberg	D5/7
D109,928 S	*	5/1938	Williams	D9/551
D119,862 S	*	4/1940	Lundy	D7/523
D168,147 S	*	11/1952	Delano	D5/7
D181,918 S	*	1/1958	Arens	D9/551

D209,020 S	*	10/1967	Shepler	D9/551
D216,096 S	*	11/1969	Lawton	D9/551
D324,468 S	*	3/1992	Unger	D7/523
5,318,657 A	*	6/1994	Roberts	156/209
D389,320 S	*	1/1998	Vinnage et al.	D5/63
D396,958 S	*	8/1998	Welch	D5/7
D413,264 S	*	8/1999	Uechi	D9/551
D421,873 S	*	3/2000	Sundberg	D7/396.5
D422,179 S	*	4/2000	Stephenson	D7/532
D475,298 S	*	6/2003	Corrigan et al.	D9/551
D492,547 S	*	7/2004	Hsu	D7/523
D492,902 S	*	7/2004	Lane	D9/551
D503,344 S	*	3/2005	Woolley et al.	D9/551

* cited by examiner

Primary Examiner—Gary D. Watson
Assistant Examiner—T. Chase Nelson
(74) *Attorney, Agent, or Firm*—Egbert Law Offices

(57) **CLAIM**

I claim the ornamental design for a decoration for containers, as shown and described.

DESCRIPTION

FIG. 1 is an upper perspective view of the decoration for containers showing my design as attached to a container in broken lines.

FIG. 2 is a front view thereof;

FIG. 3 is a back view thereof;

FIG. 4 is a side view thereof;

FIG. 5 is an opposite side view thereof;

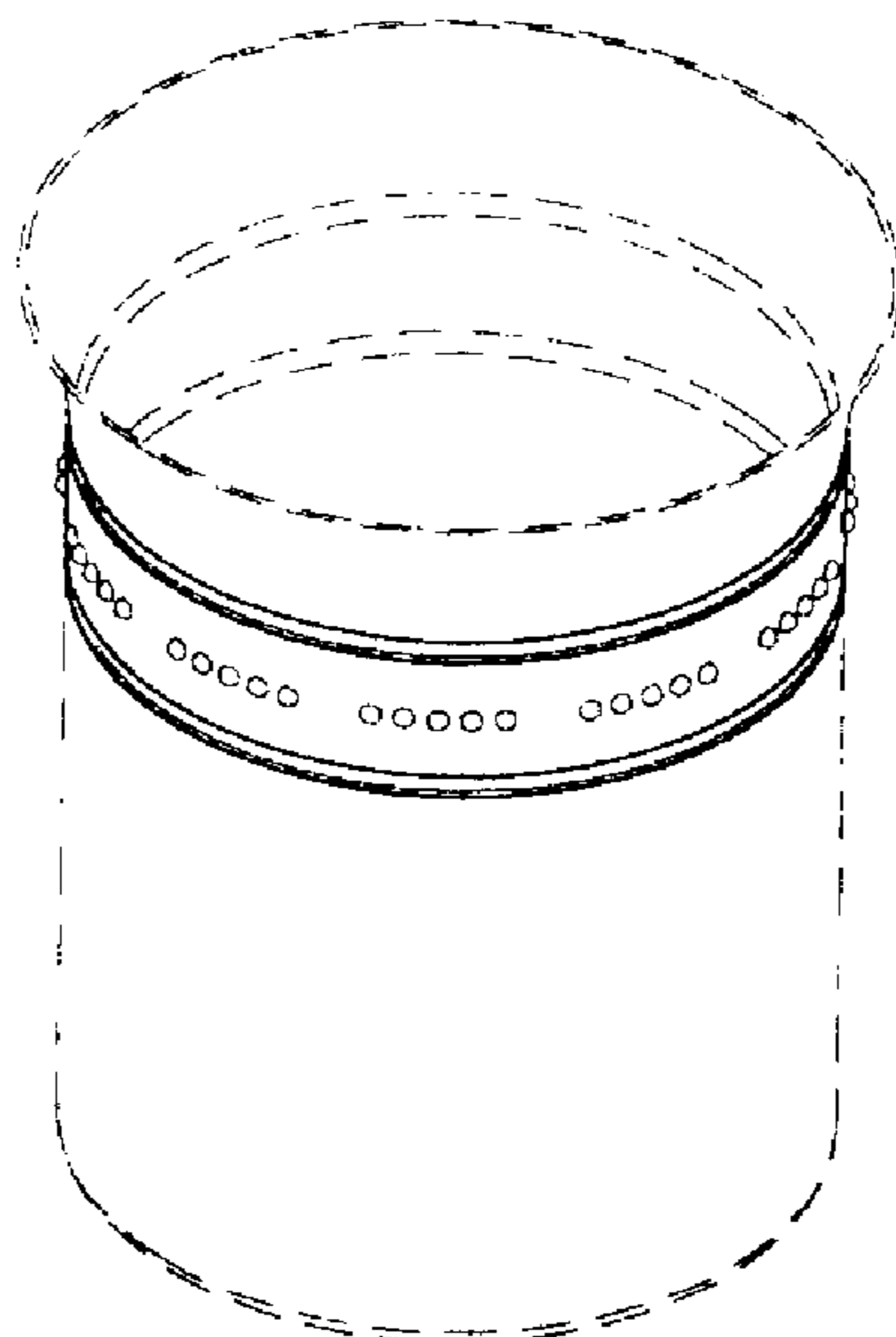
FIG. 6 is a top view thereof;

FIG. 7 is a bottom view thereof; and,

FIGS. 8 through 11 are perspective views thereof showing attachment to different containers in broken lines.

The broken lines are presented for illustrative purposes only and form no part of the claimed design.

1 Claim, 6 Drawing Sheets



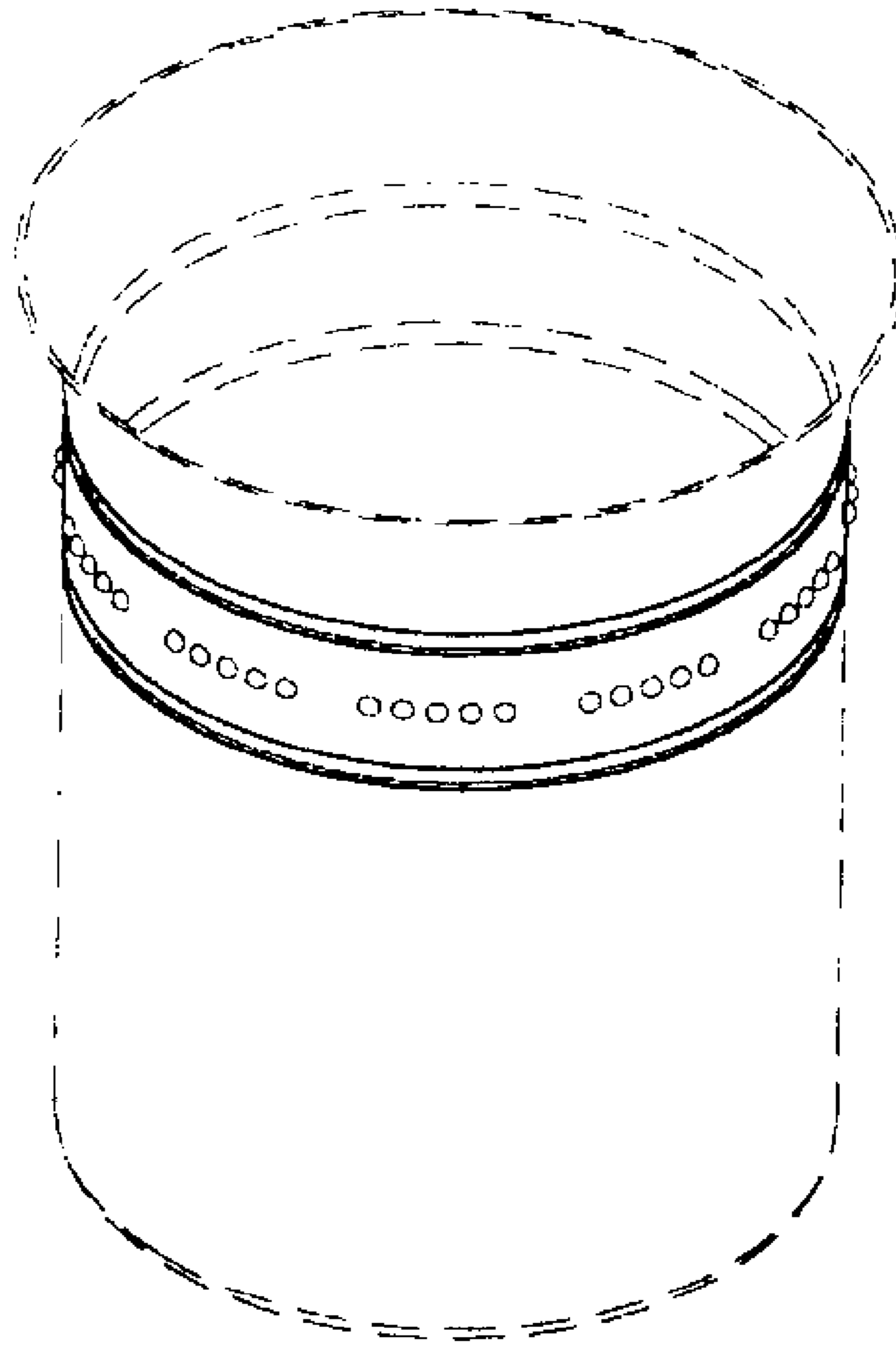


FIG.1

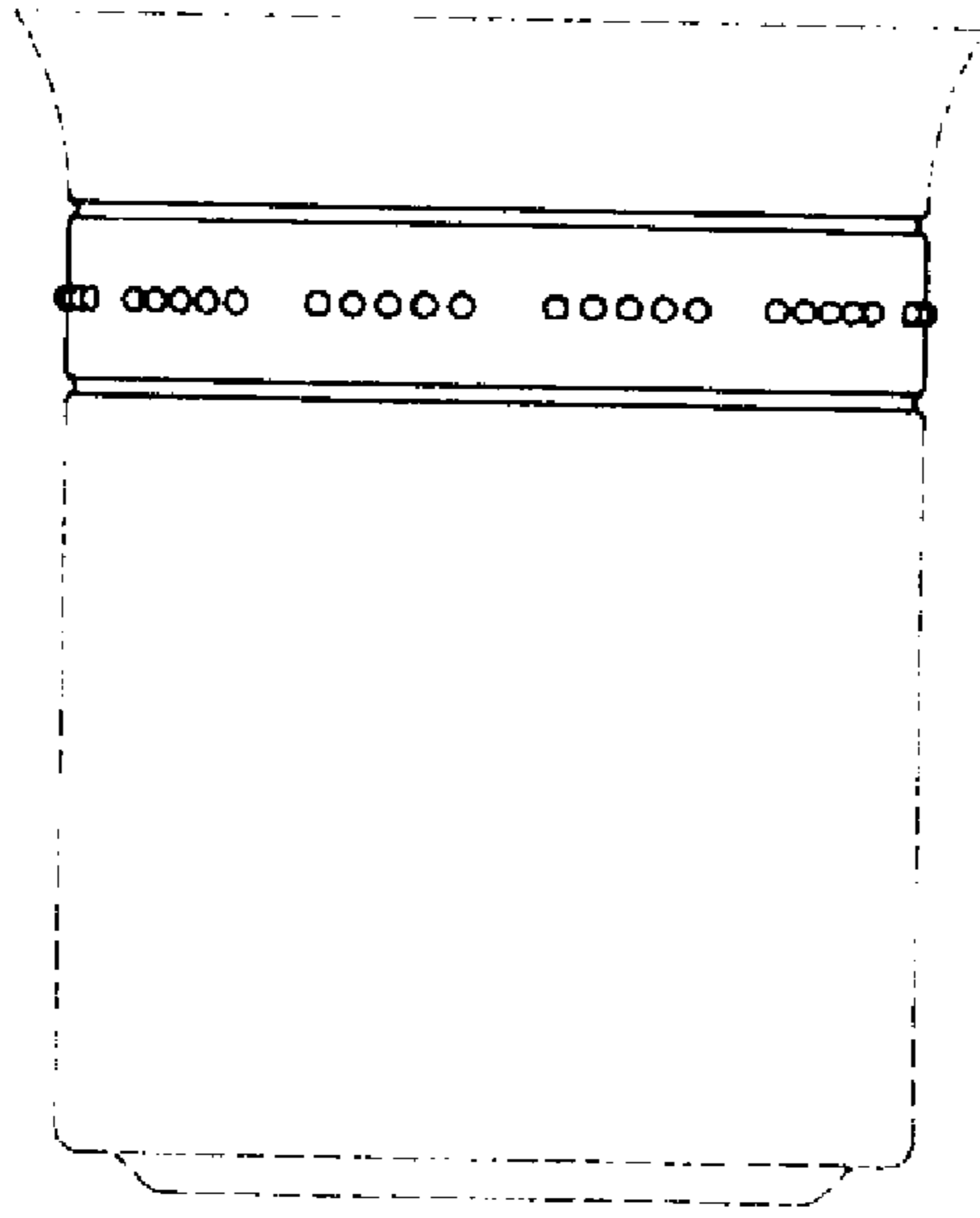


FIG. 2

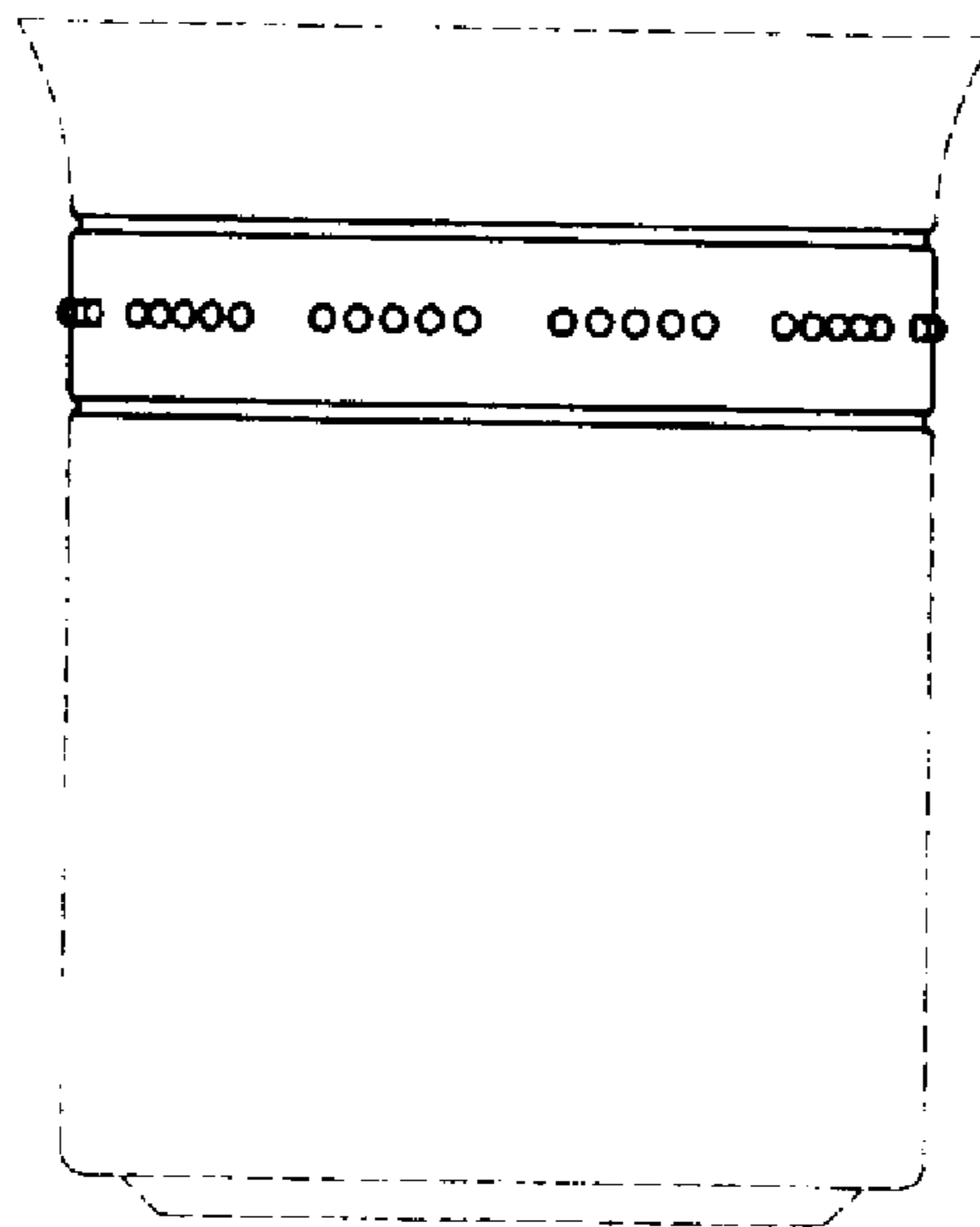


FIG. 3

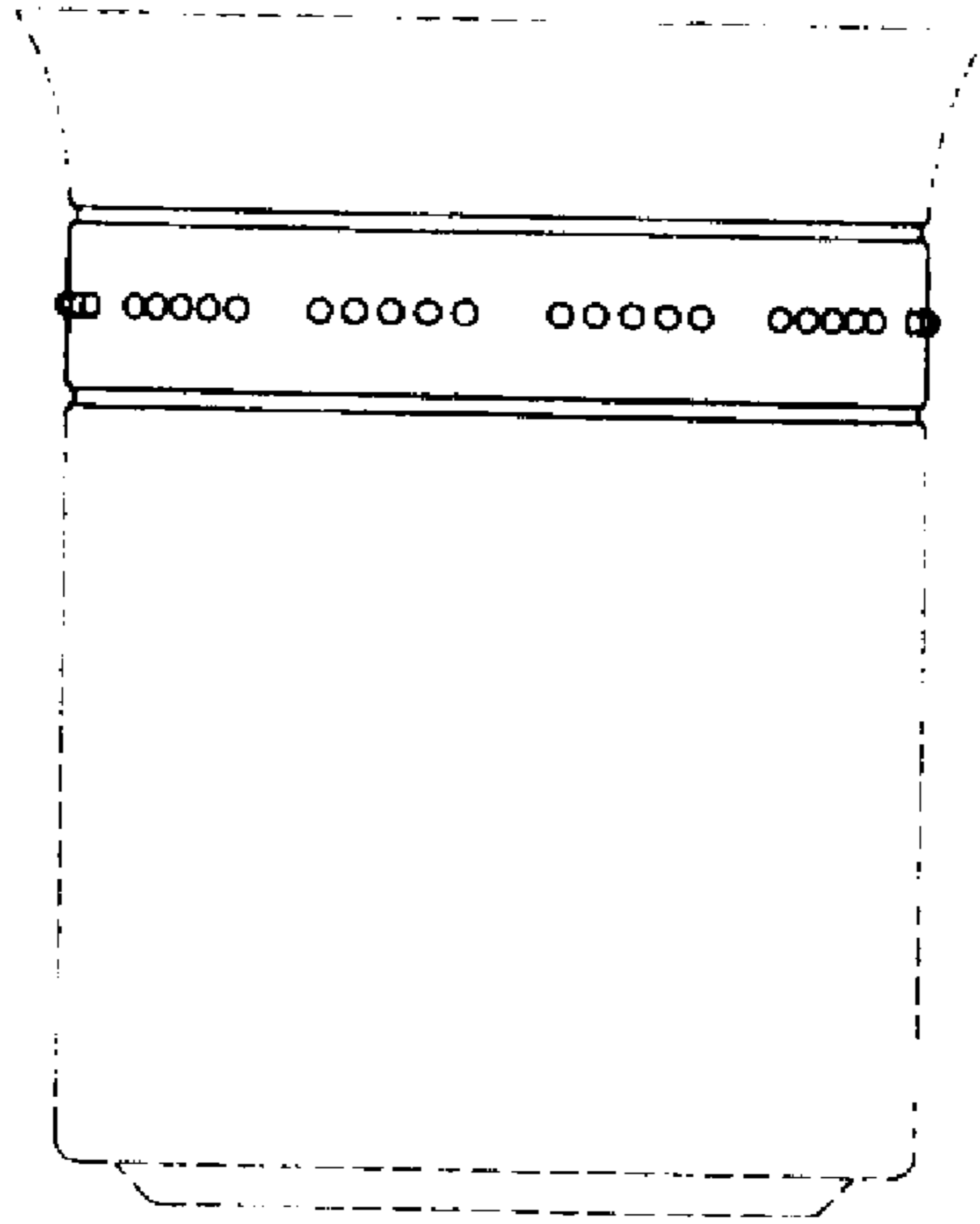


FIG. 4

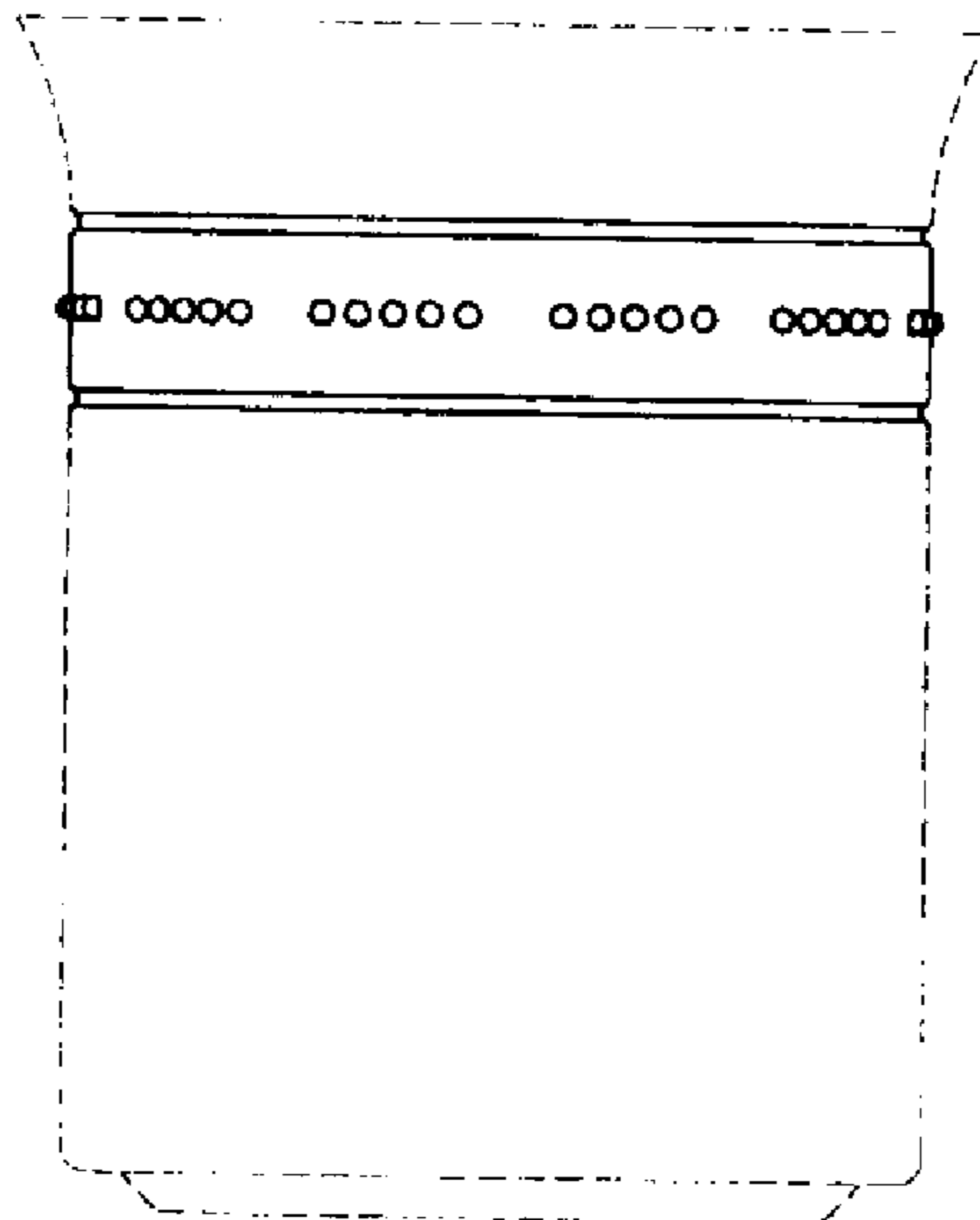


FIG. 5

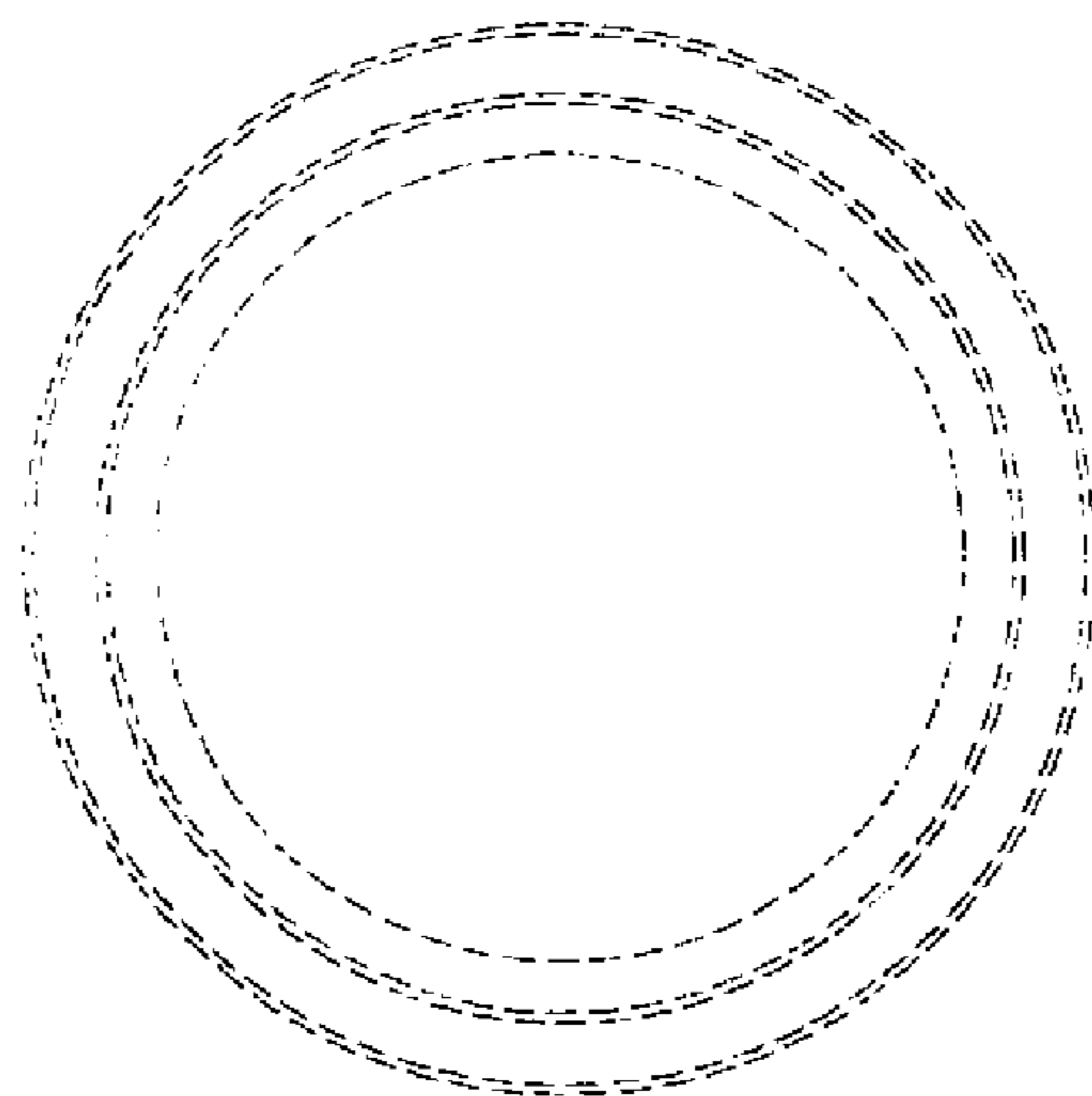


FIG. 6

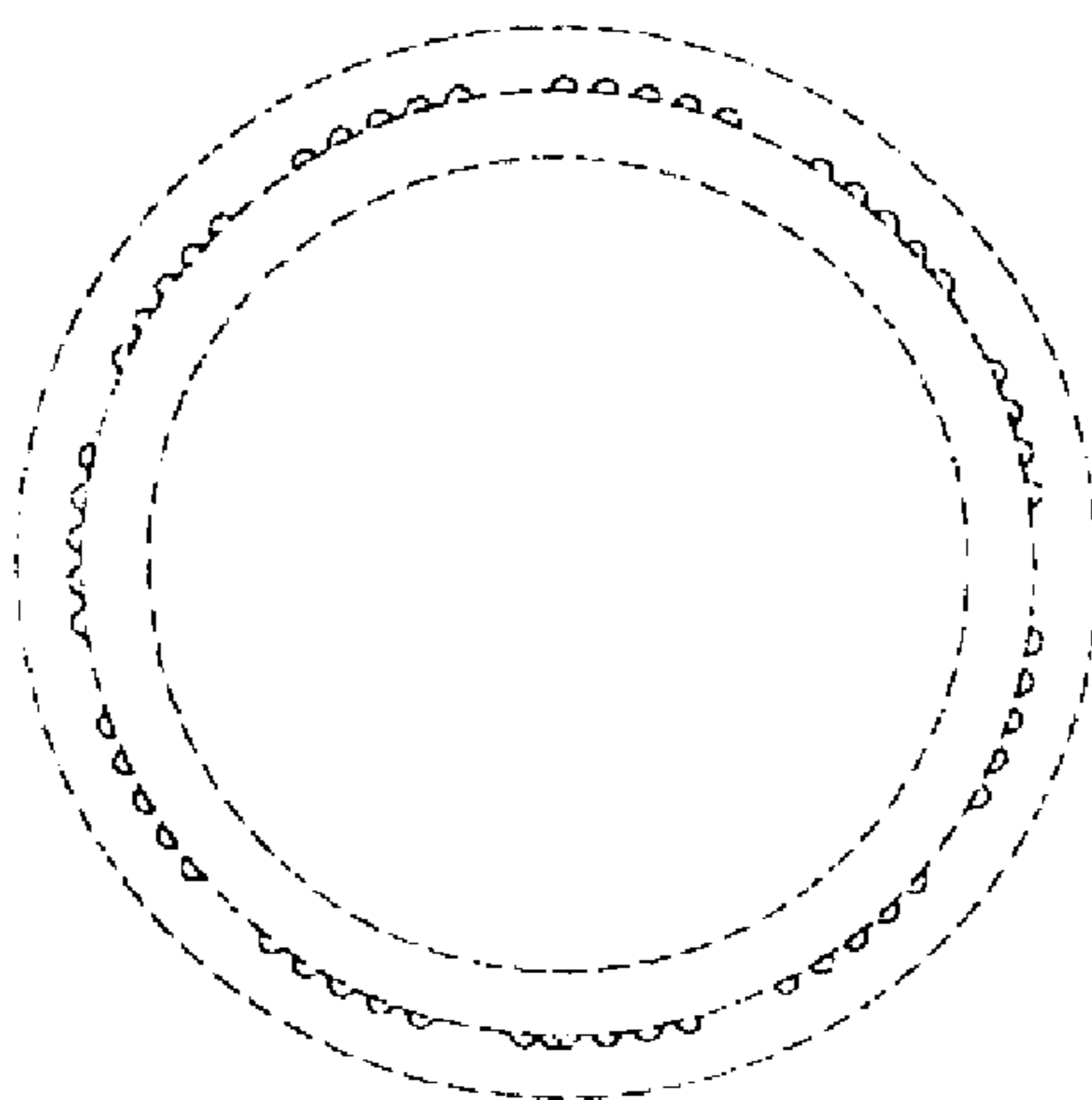


FIG. 7

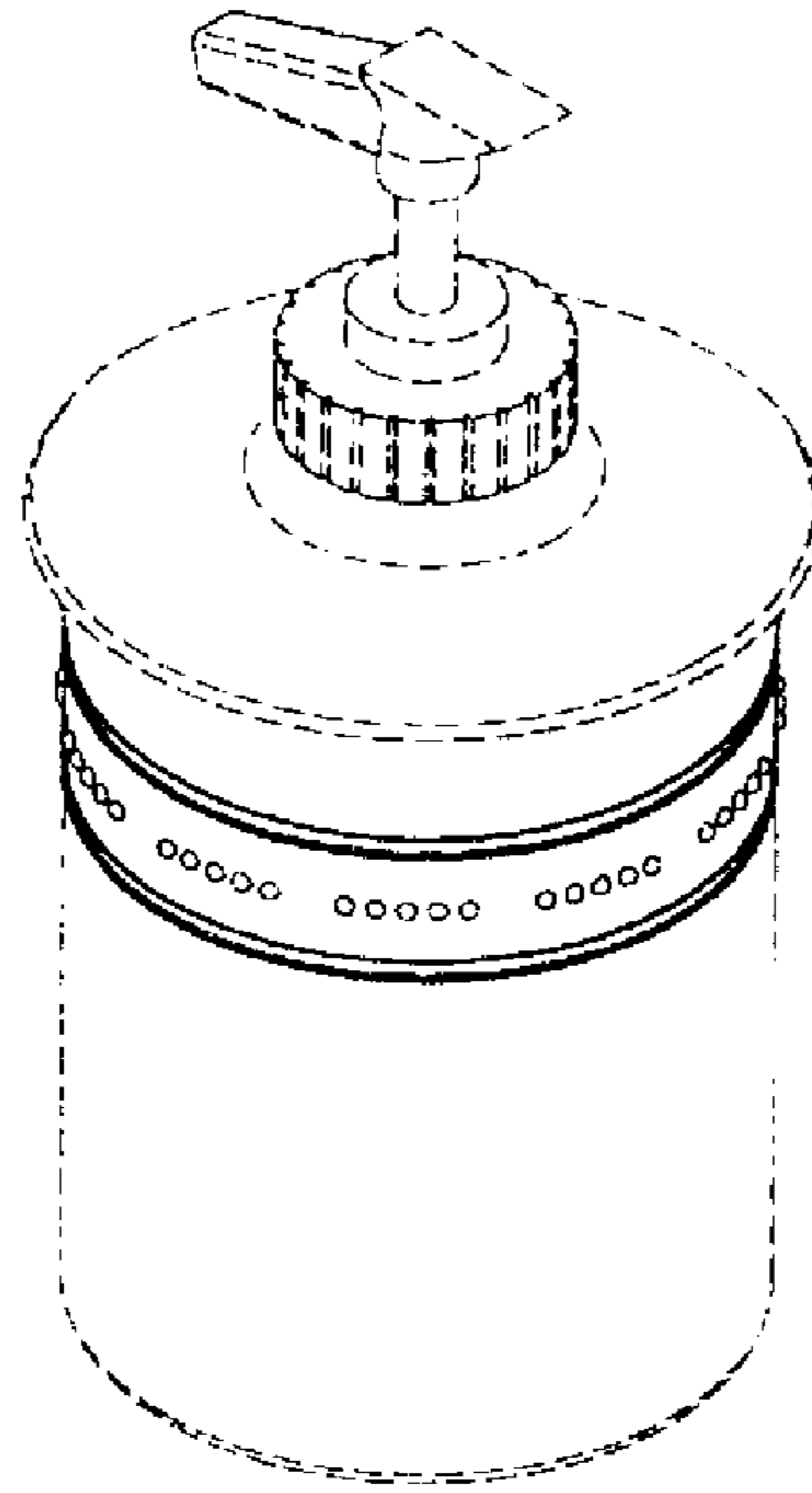


FIG. 8

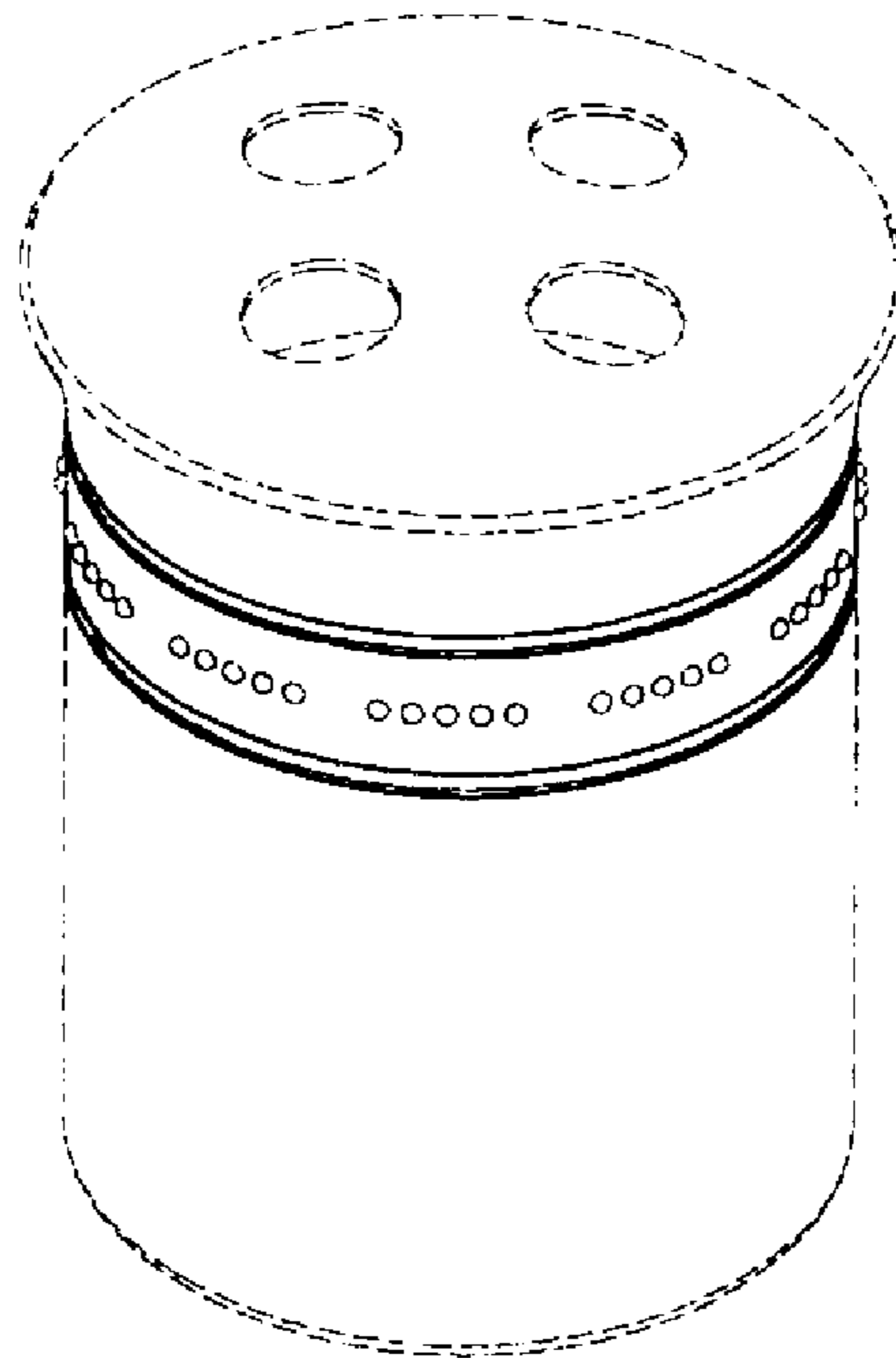


FIG. 9

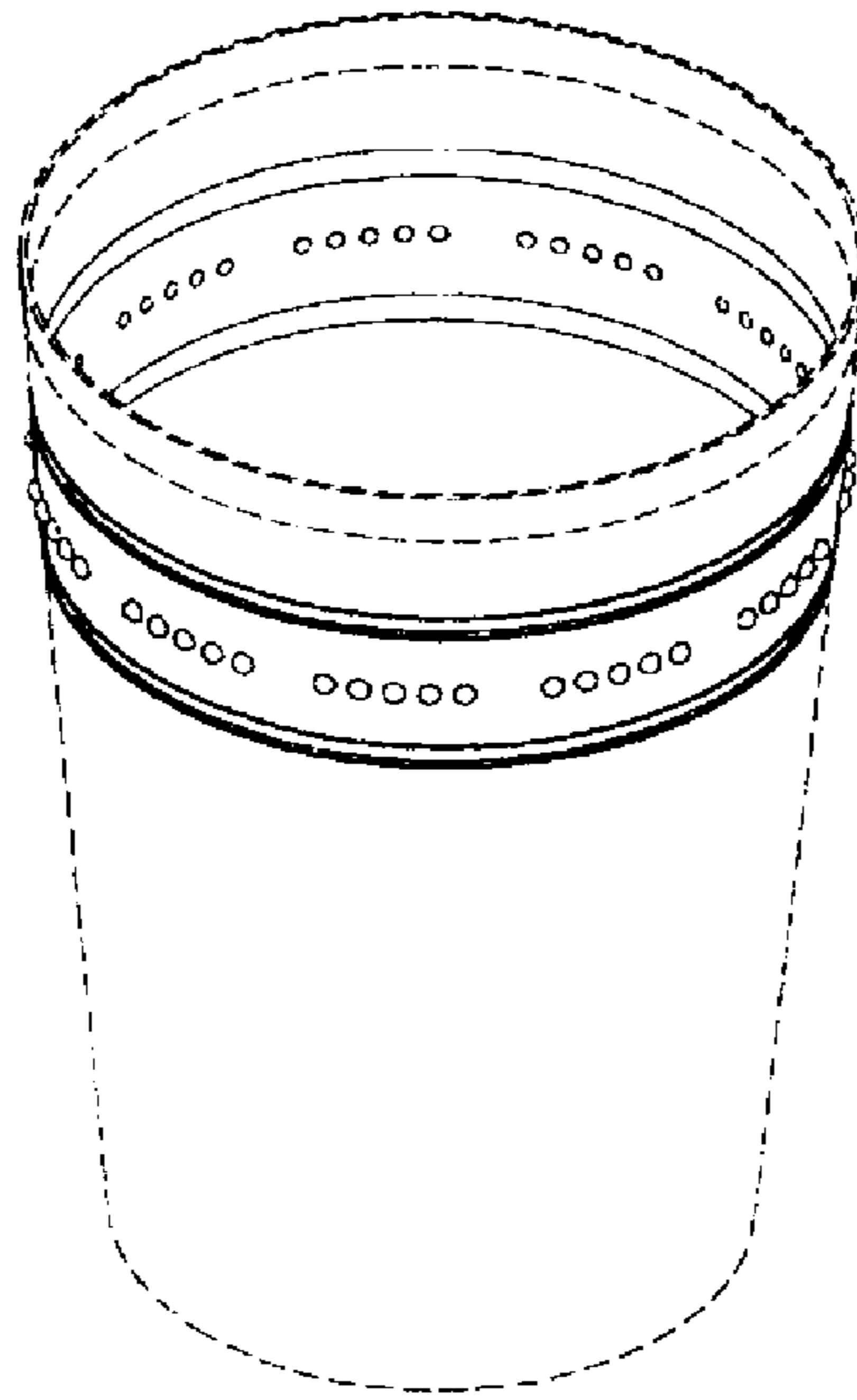


FIG. 10

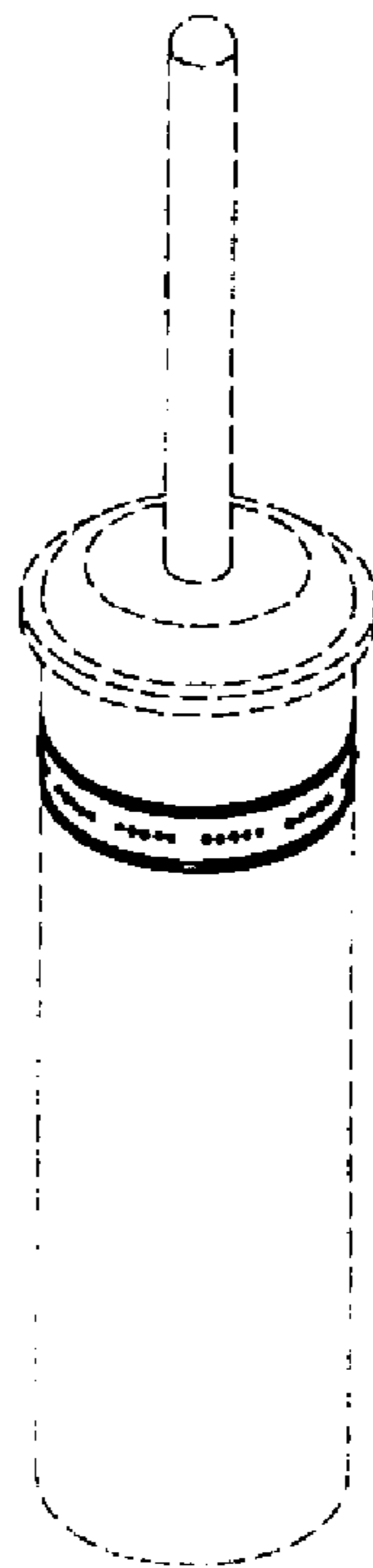


FIG. 11