



US00D519777S

(12) **United States Design Patent**  
**Vial**

(10) **Patent No.:** **US D519,777 S**

(45) **Date of Patent:** **\*\* May 2, 2006**

(54) **WAFFLE IRON**

(75) Inventor: **Sandrine Vial**, Sevrier (FR)

(73) Assignee: **Tefal**, Rumilly (FR)

(\*\*) Term: **14 Years**

(21) Appl. No.: **29/221,851**

(22) Filed: **Jan. 21, 2005**

(30) **Foreign Application Priority Data**

Jul. 22, 2004 (FR) ..... 04 3622

(51) **LOC (8) Cl.** ..... **07-02**

(52) **U.S. Cl.** ..... **D7/352**

(58) **Field of Classification Search** ..... D7/323,  
D7/328-332, 334-339, 352-363; 99/425,  
99/444, 466, 219, 618, 620, 601, 386, 385,  
99/369, 331, 339, 349, 372, 389, 446; 219/620-622;  
222/33; 415/232

See application file for complete search history.

(56) **References Cited**

**U.S. PATENT DOCUMENTS**

D299,609 S \* 1/1989 Madl ..... D7/352

D439,796 S \* 4/2001 Edwards et al. .... D7/352

D465,965 S \* 11/2002 Dalton et al. .... D7/352

D483,604 S \* 12/2003 Lubowicki ..... D7/352

D502,630 S \* 3/2005 Lubowicki ..... D7/352

\* cited by examiner

*Primary Examiner*—Caron D. Veynar

*Assistant Examiner*—Ricky Pham

(74) *Attorney, Agent, or Firm*—Harness, Dickey & Pierce  
P.L.C.

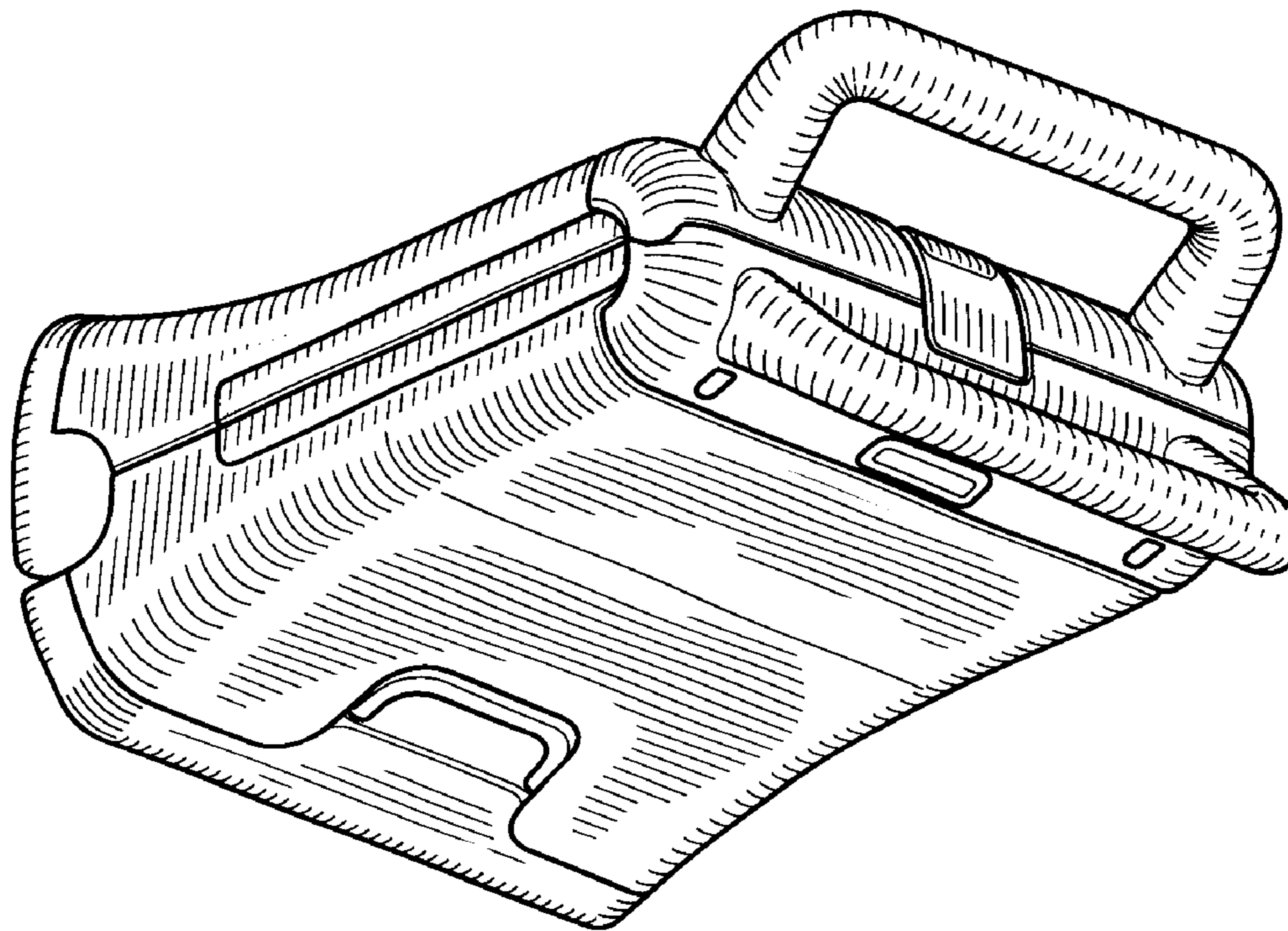
(57) **CLAIM**

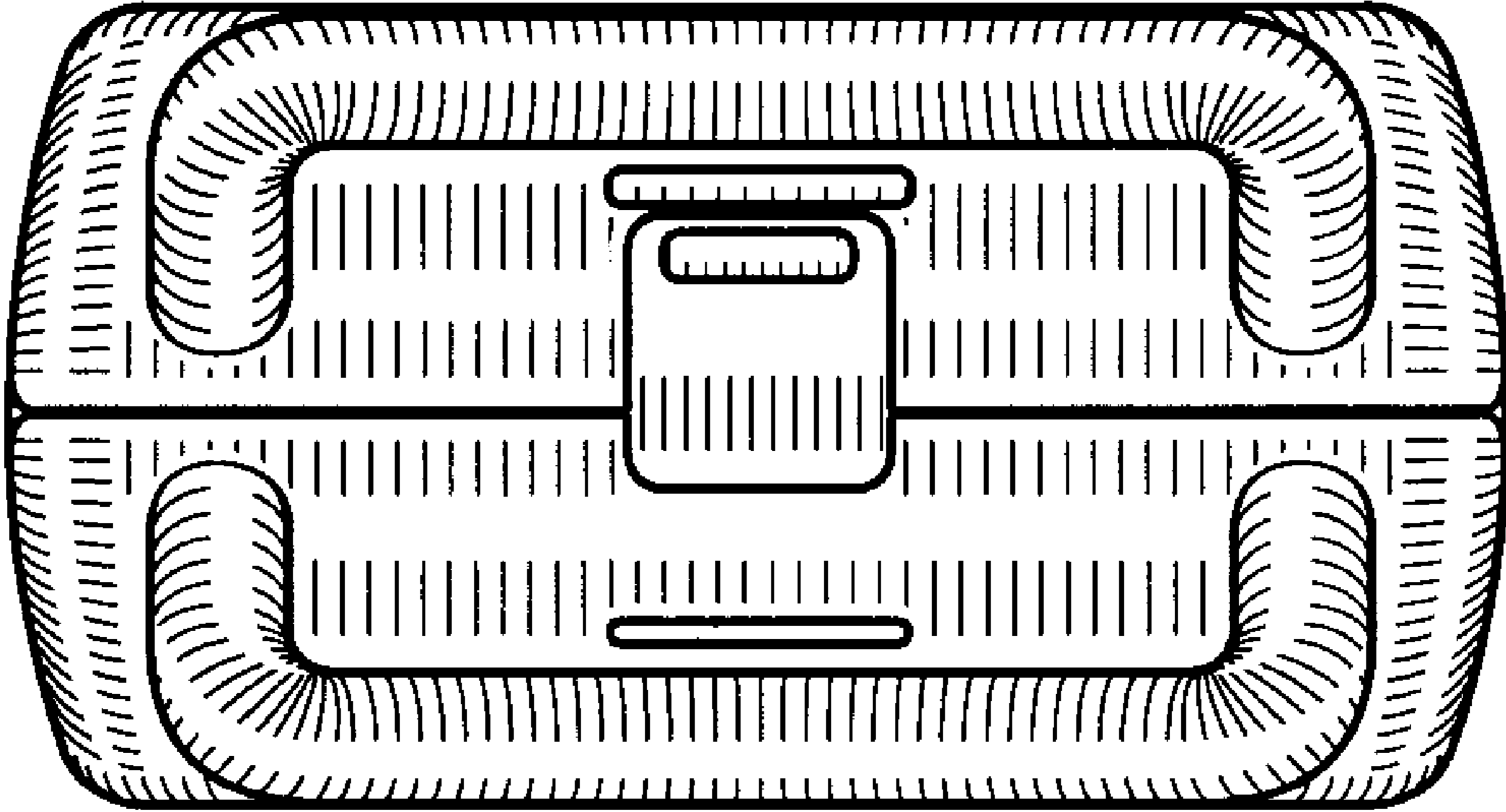
The ornamental design for a waffle iron, as shown.

**DESCRIPTION**

FIG. 1 is a front view;  
FIG. 2 is a top view;  
FIG. 3 is a bottom view;  
FIG. 4 is a rear view;  
FIG. 5 is a bottom perspective view;  
FIG. 6 is a left side view; and,  
FIG. 7 is a right side view.

**1 Claim, 7 Drawing Sheets**





**Fig. 1**

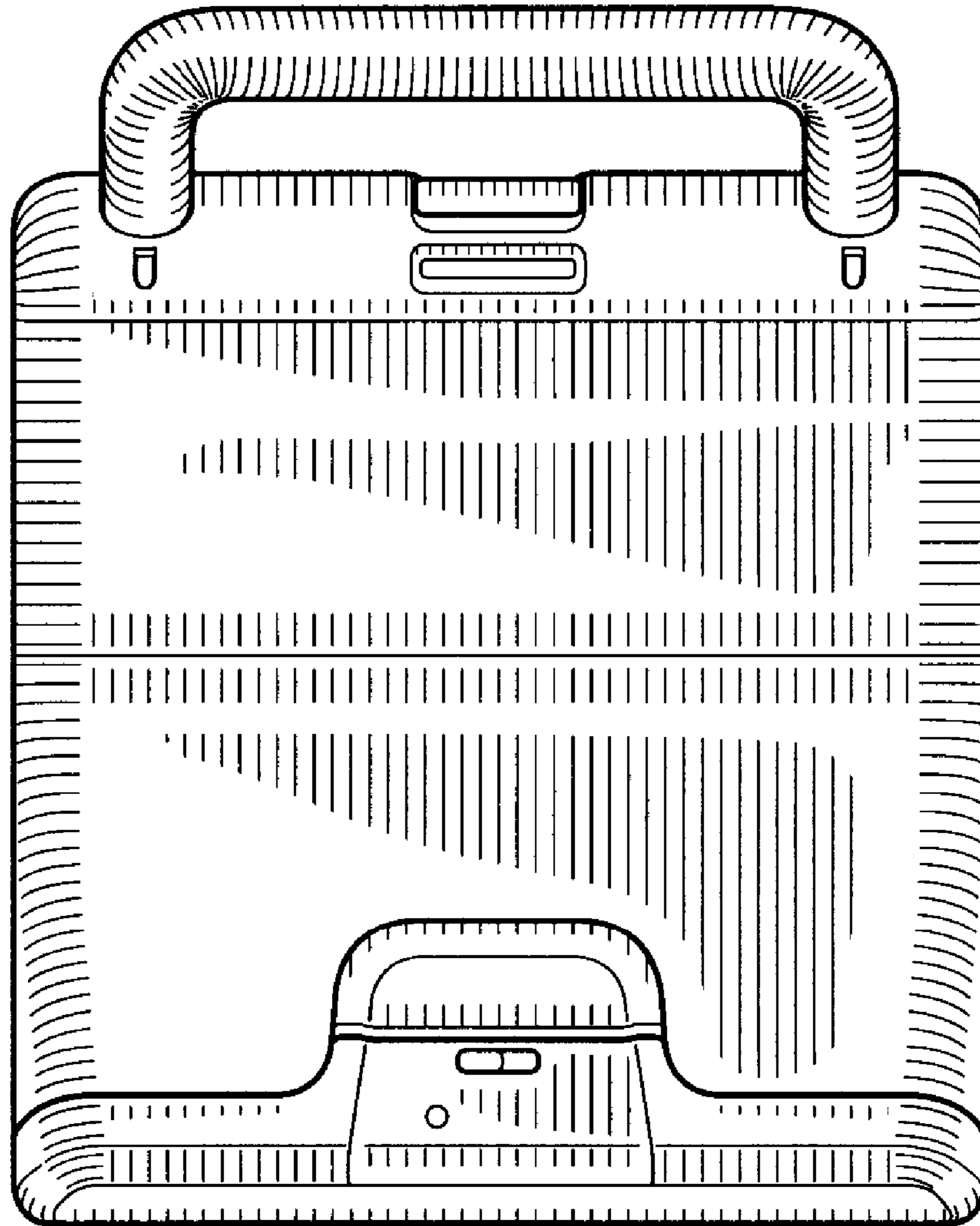


Fig. 2

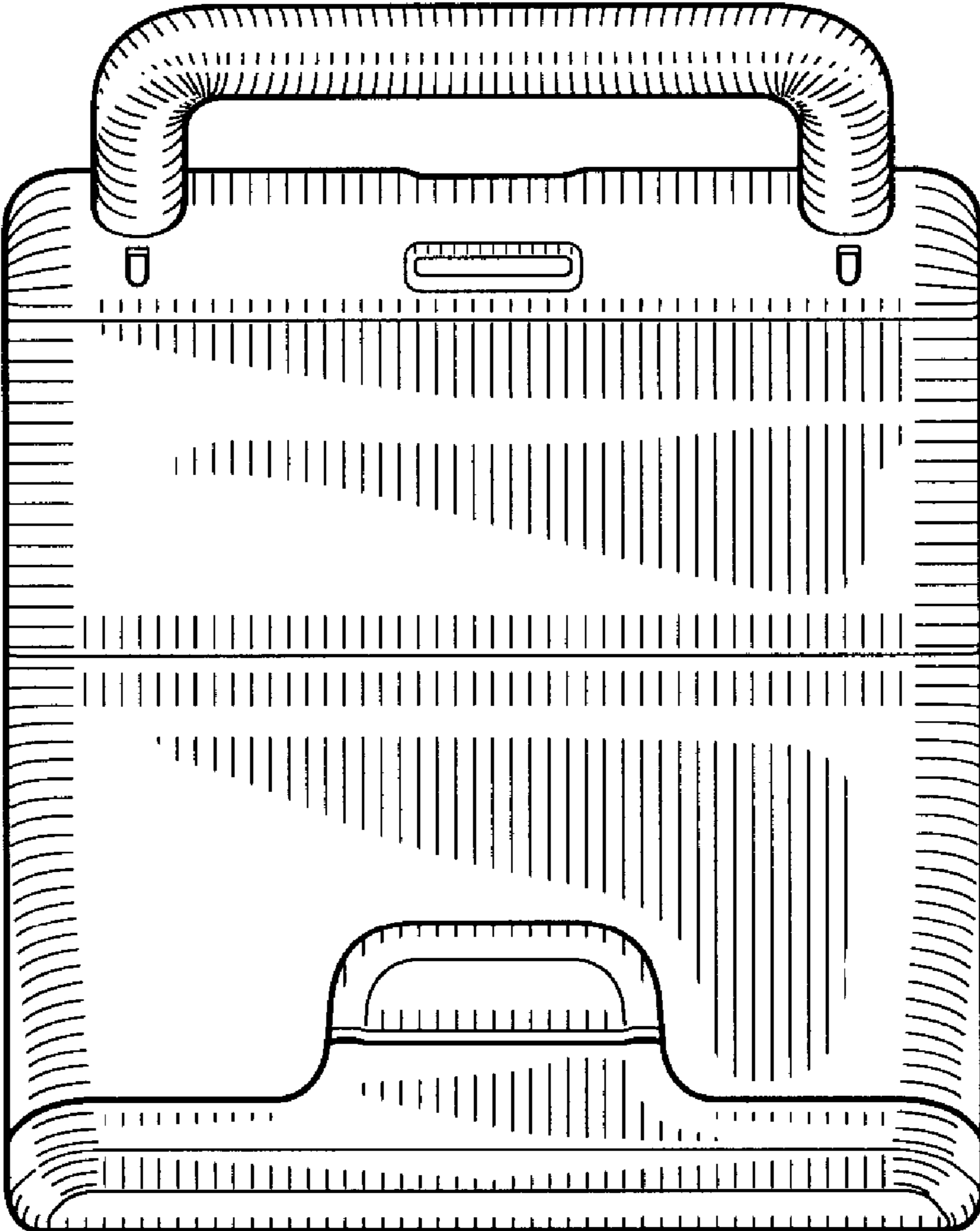
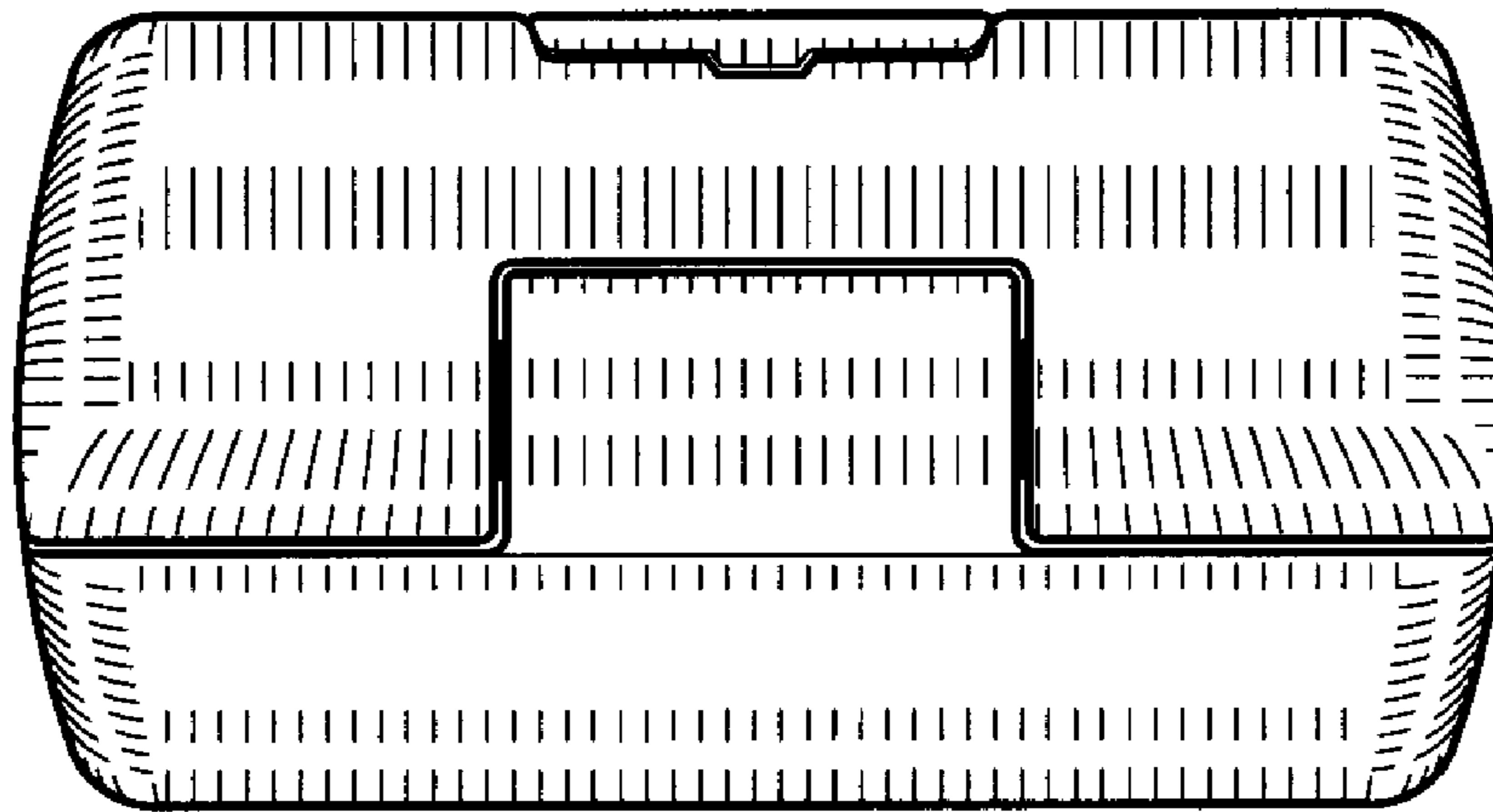


Fig. 3



**Fig. 4**



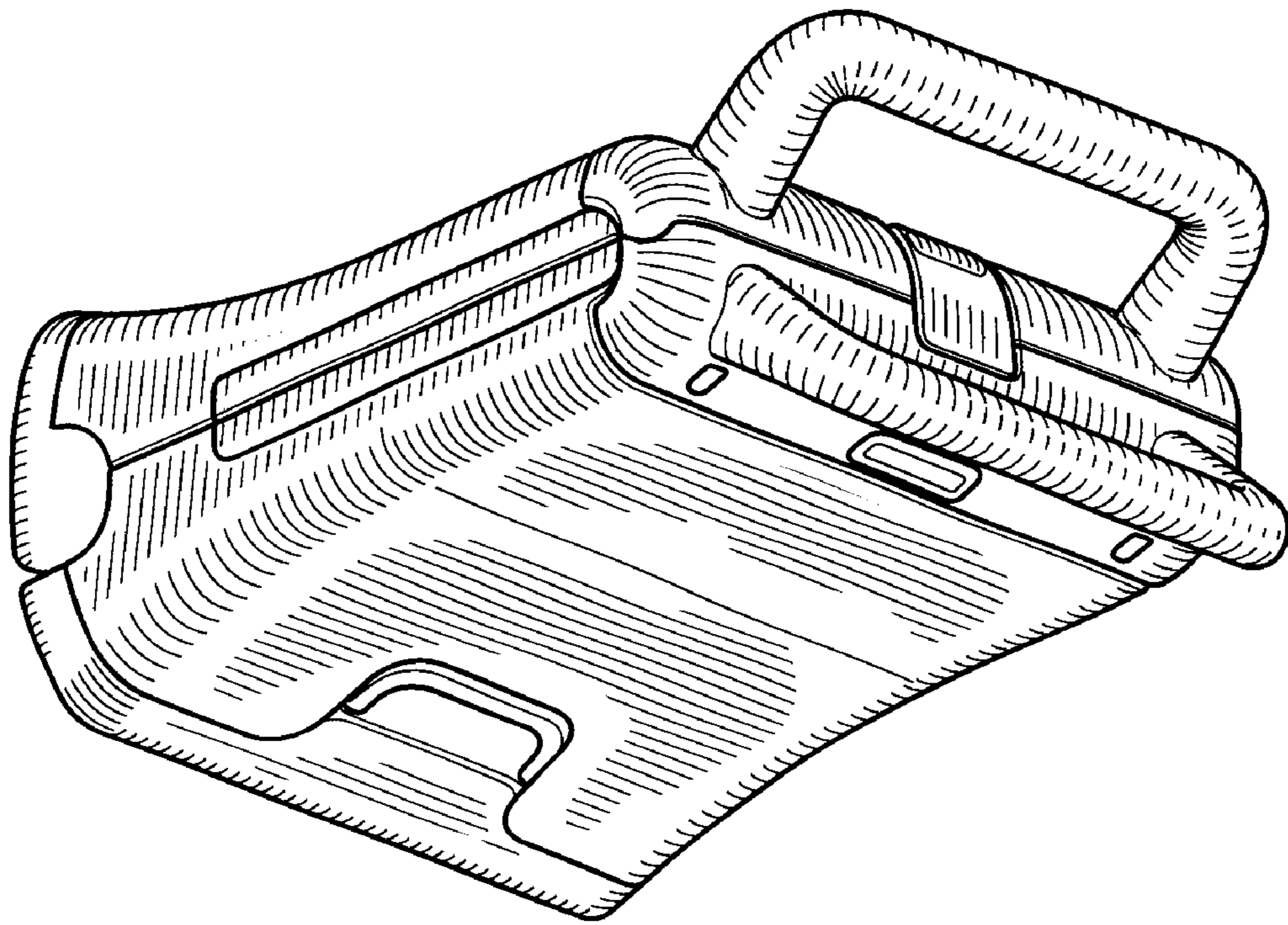
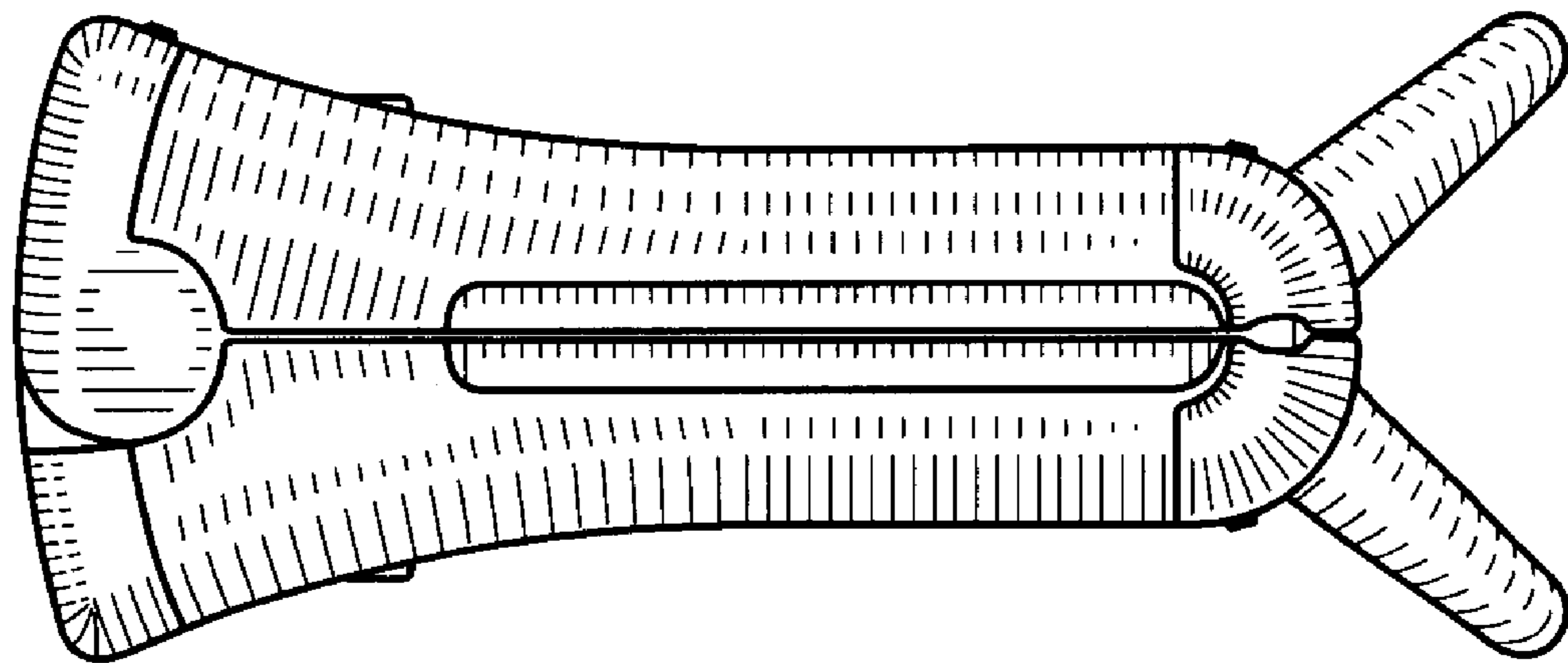


Fig. 5



**Fig. 6**

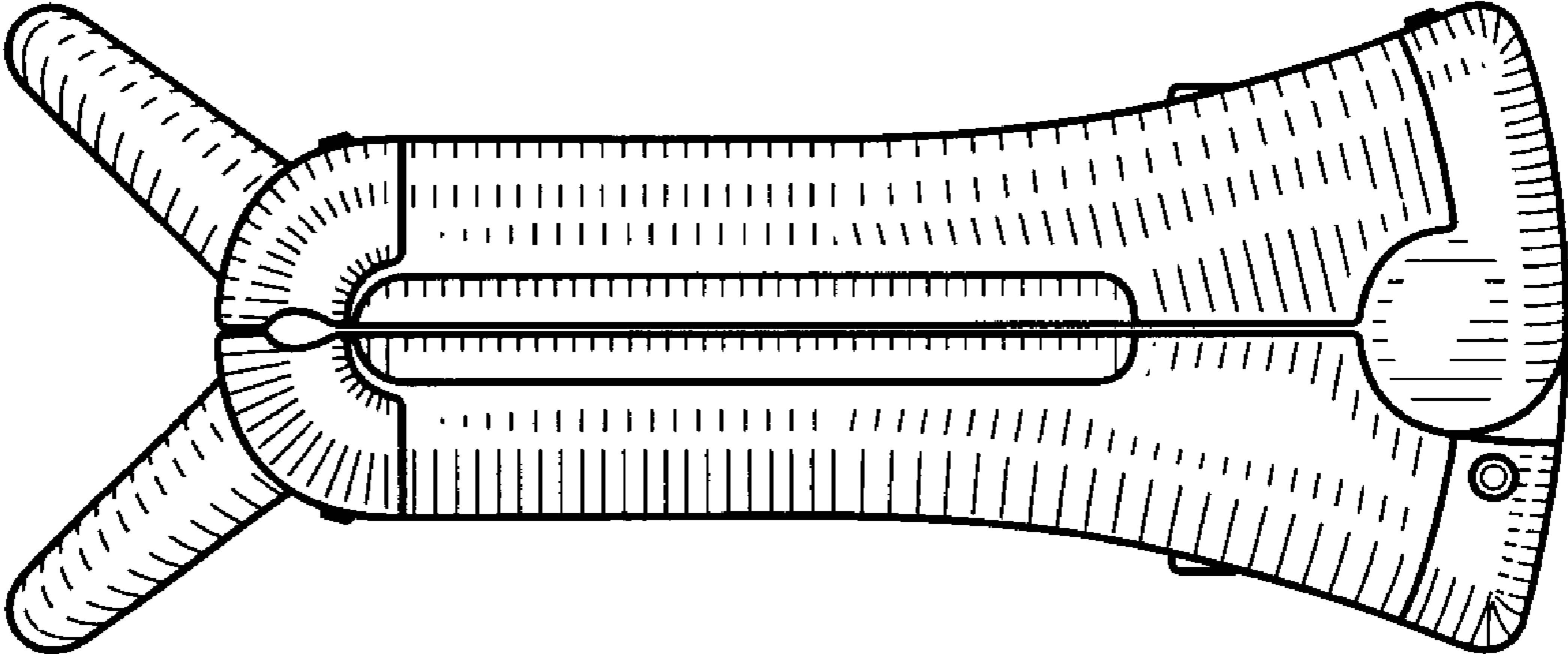


Fig. 7