

US00D519771S

(12) **United States Design Patent**  
**Wong**

(10) **Patent No.:** **US D519,771 S**

(45) **Date of Patent:** **\*\* May 2, 2006**

(54) **DISC STORAGE DEVICE**

(75) Inventor: **Kent Wong**, Hong Kong (CN)

(73) Assignee: **Sunhing Millennium Ltd.**, Kowloon (HK)

(\*\*) Term: **14 Years**

(21) Appl. No.: **29/217,819**

(22) Filed: **Nov. 23, 2004**

(30) **Foreign Application Priority Data**

May 25, 2004 (HK) ..... 0411177

(51) **LOC (8) Cl.** ..... **06-04**

(52) **U.S. Cl.** ..... **D6/630**

(58) **Field of Classification Search** ..... D6/407,  
D6/629, 630, 466, 468, 464, 465; 312/9.1,  
312/9.9, 9.47, 9.48, 9.51, 9.52, 9.64  
See application file for complete search history.

(56) **References Cited**

**U.S. PATENT DOCUMENTS**

3,877,134 A \* 4/1975 Shanahan ..... 29/417  
4,153,164 A \* 5/1979 Hofmeister et al. .... 211/41.18

4,228,902 A \* 10/1980 Schulte ..... 211/41.18  
D441,246 S \* 5/2001 Chow et al. .... D6/630  
D450,971 S \* 11/2001 Lee ..... D6/630  
D476,187 S \* 6/2003 Lau et al. .... D6/630  
D478,764 S \* 8/2003 Lau et al. .... D6/630  
D497,763 S \* 11/2004 Kwok ..... D6/630

\* cited by examiner

*Primary Examiner*—Cathron C. Brooks

(74) *Attorney, Agent, or Firm*—Buchanan Ingersoll, PC

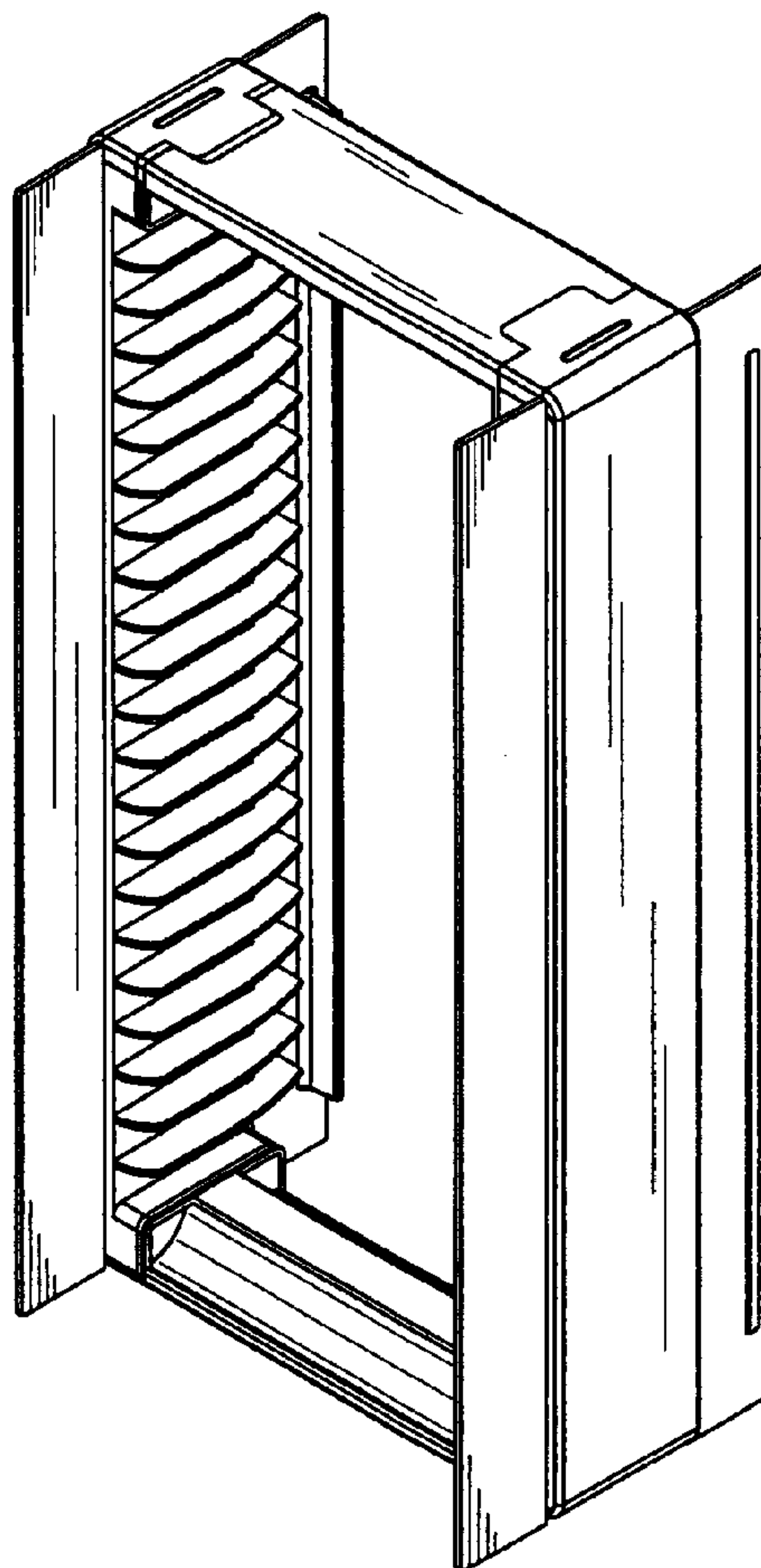
(57) **CLAIM**

The ornamental design for a “disc storage device”, as shown and described.

**DESCRIPTION**

FIG. 1 is a front view of a disc storage device incorporating my design;  
FIG. 2 is a rear view thereof;  
FIG. 3 is an elevation view thereof from the left side;  
FIG. 4 is an elevation view thereof from the right side;  
FIG. 5 is a top view thereof;  
FIG. 6 is a bottom view thereof; and,  
FIG. 7 is a perspective view thereof from the top right side.

**1 Claim, 3 Drawing Sheets**



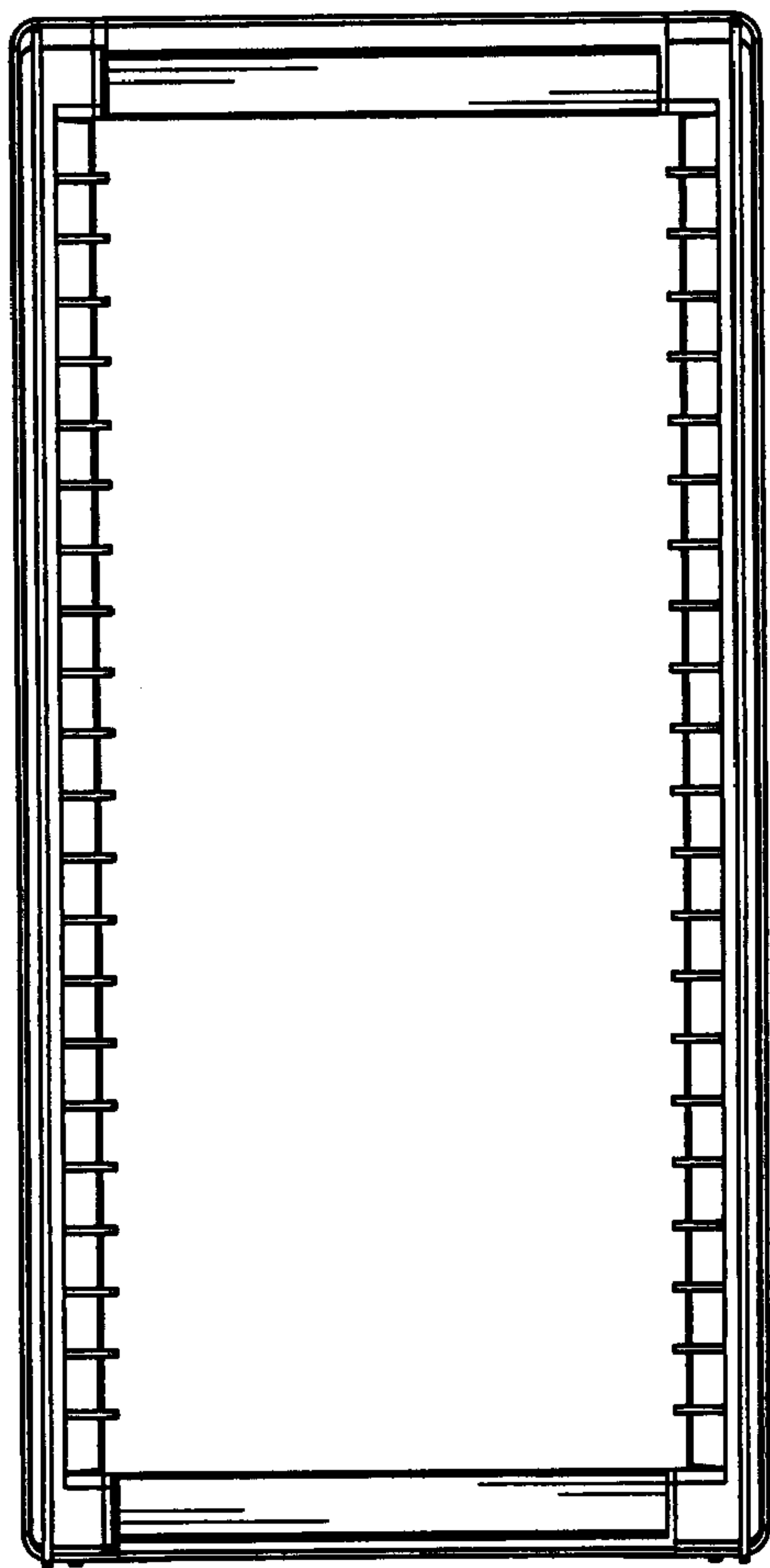


Fig. 1

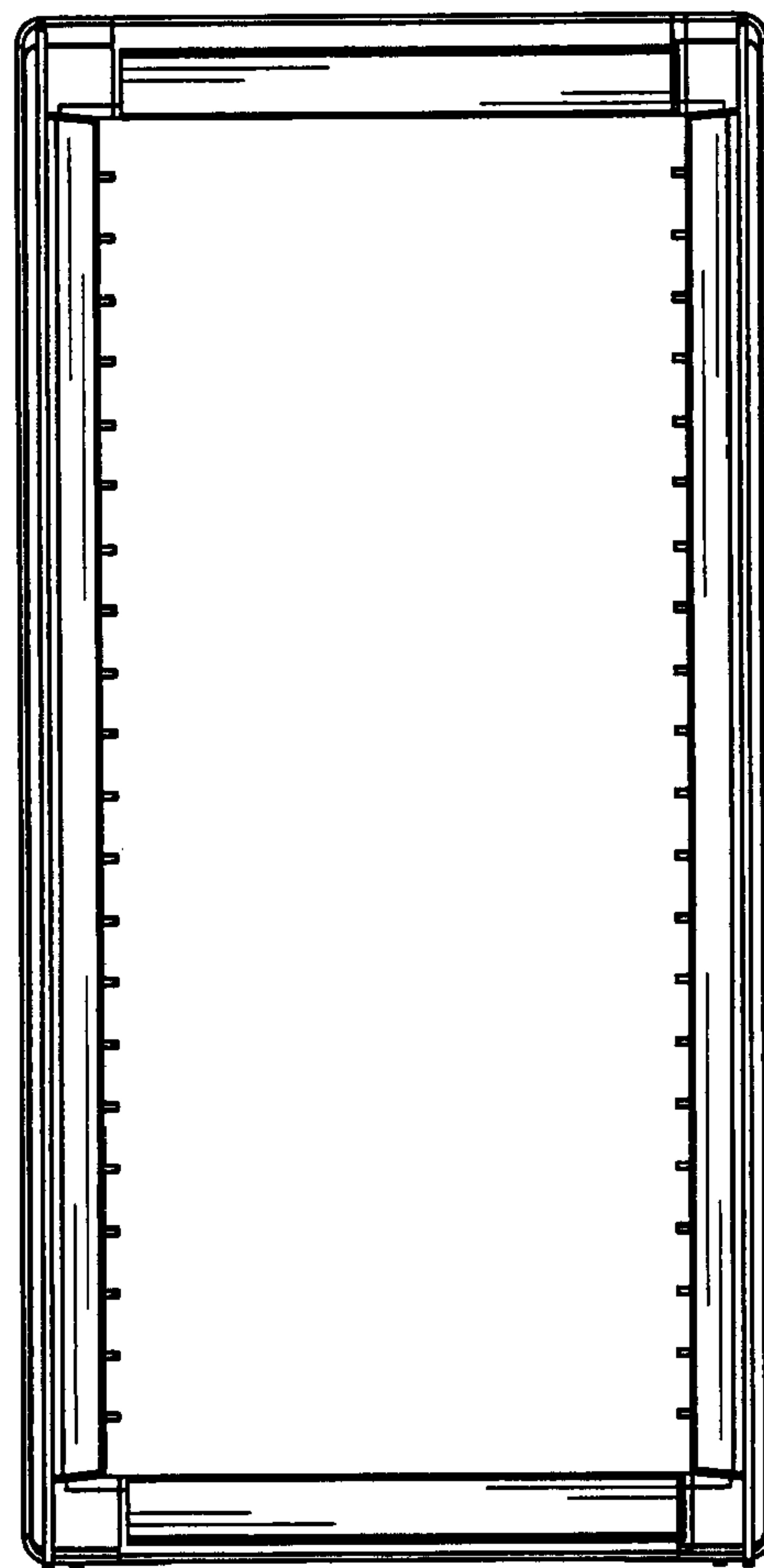


Fig. 2

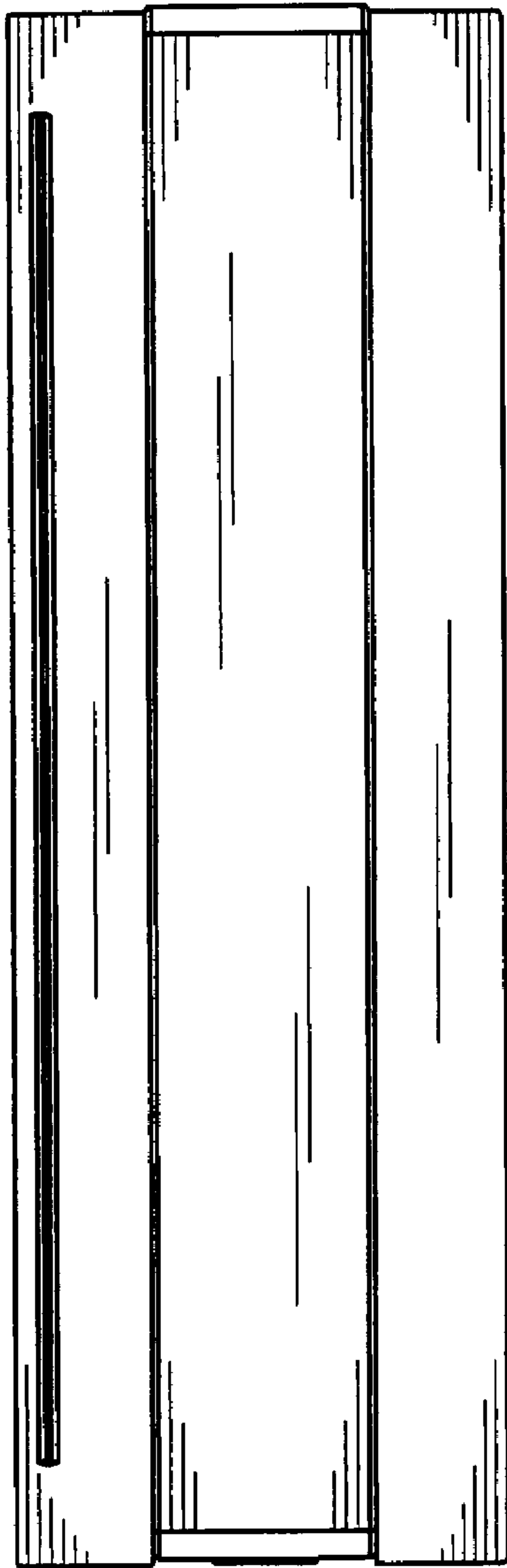


Fig. 3

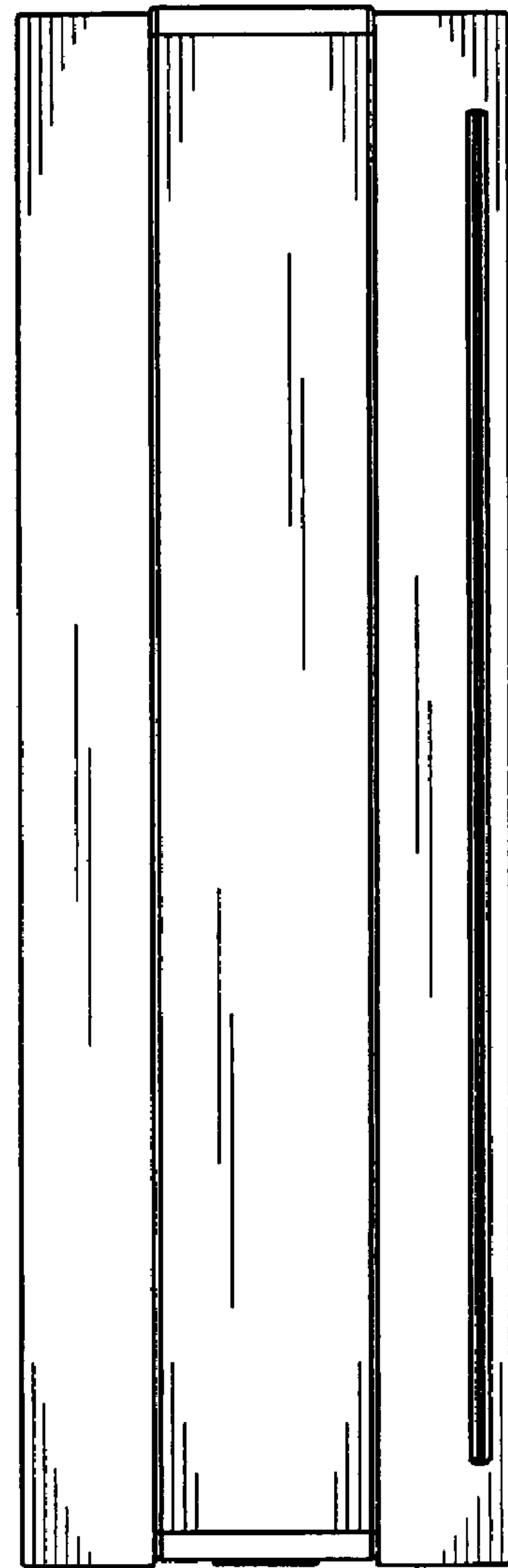


Fig. 4

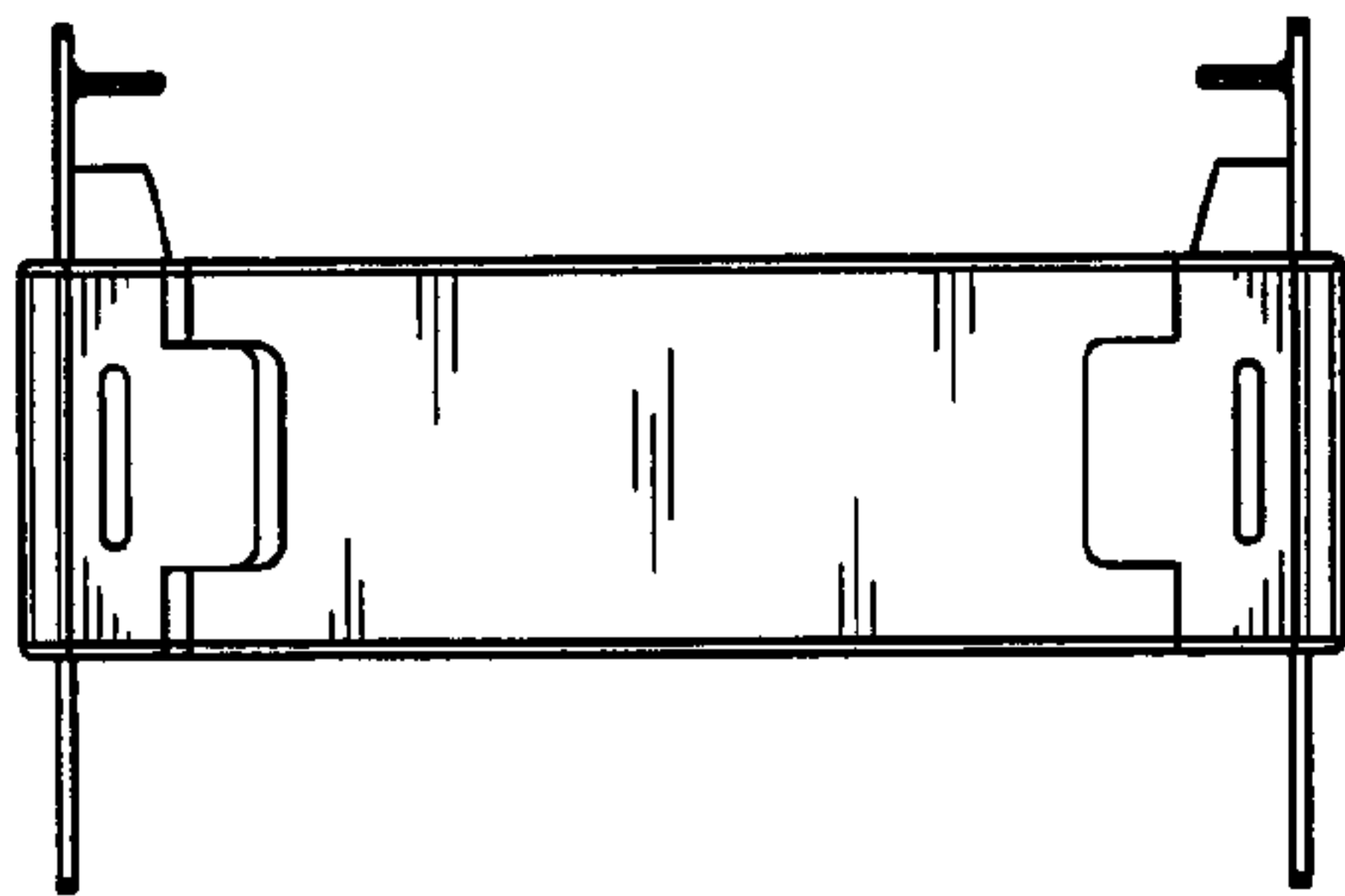


Fig. 5

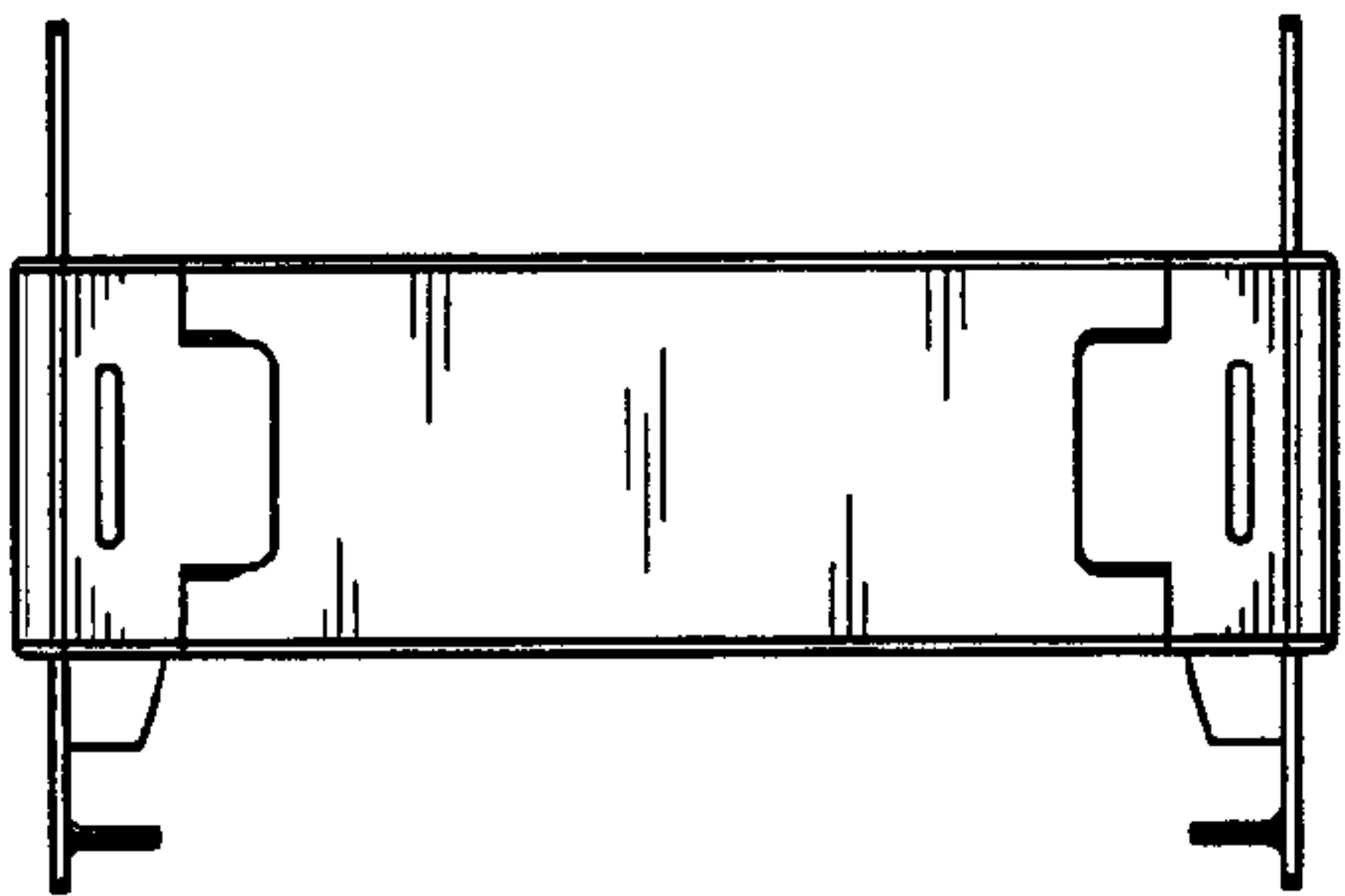


Fig. 6

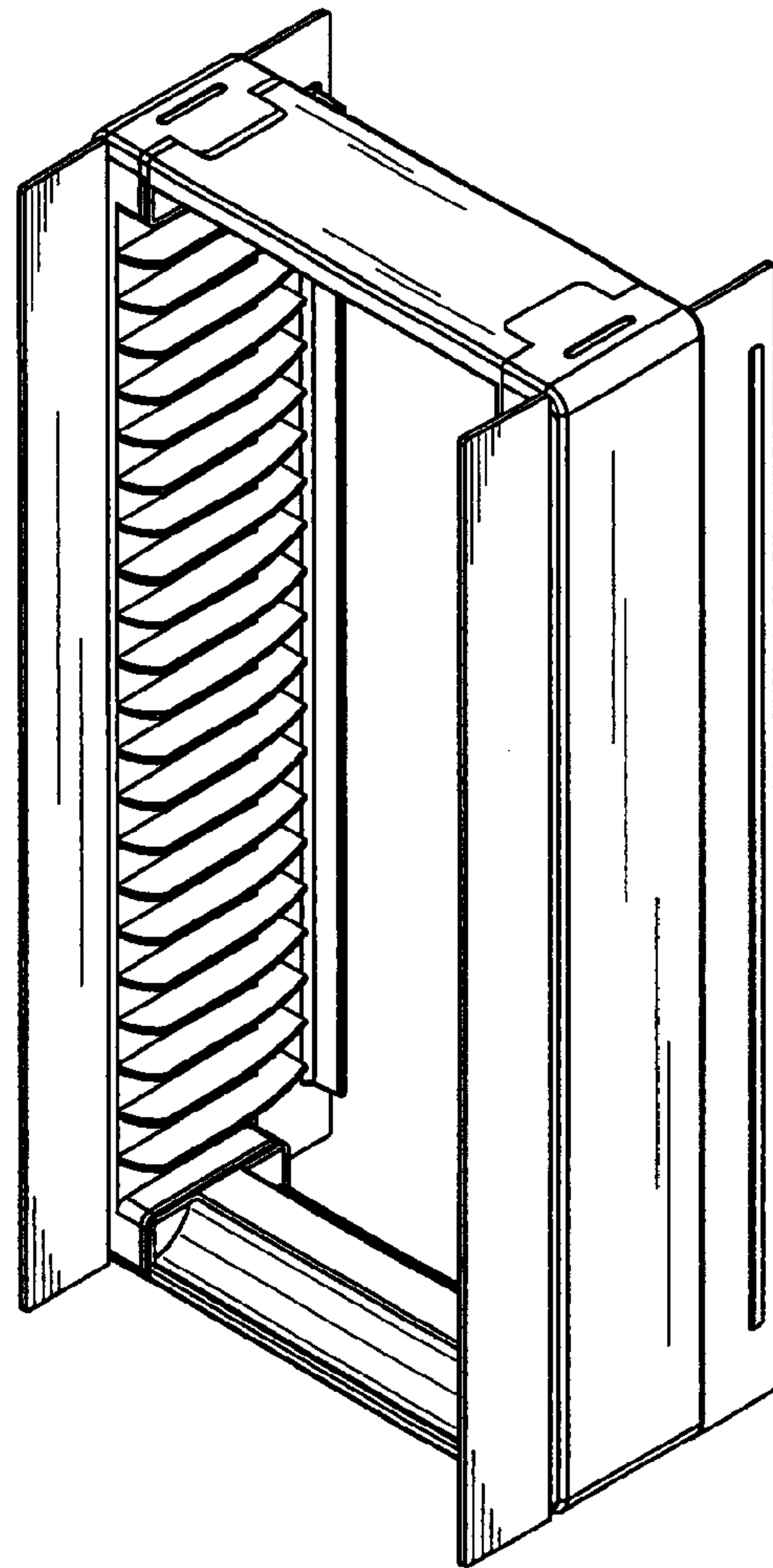


Fig. 7