



US00D519767S

(12) **United States Design Patent**
Gilbert

(10) **Patent No.:** **US D519,767 S**

(45) **Date of Patent:** **** May 2, 2006**

(54) **ACCESSORY POST**

(75) **Inventor:** **Christopher Jon Gilbert**, Moreland Hills, OH (US)

(73) **Assignee:** **Moen Incorporated**, North Imsted, OH (US)

(**) **Term:** **14 Years**

(21) **Appl. No.:** **29/198,234**

(22) **Filed:** **Jan. 27, 2004**

(51) **LOC (8) Cl.** **06-04**

(52) **U.S. Cl.** **D6/550**

(58) **Field of Classification Search** D6/546-550,
D6/518-523; D8/300, 303, 315-321, 349,
D8/354, 363, 373, 380; 108/28-29; 211/13.1,
211/16, 60.1, 100, 86.01, 87.01, 88.01, 88.04,
211/105.1-105.2, 123, 182, 181.1; 248/175,
248/176.1, 251, 302, 309.1; 16/110.1, 412,
16/415; 242/570, 590, 595-598

See application file for complete search history.

(56) **References Cited**

U.S. PATENT DOCUMENTS

D286,261 S	10/1986	Smederod	
D439,093 S	3/2001	Goodman et al.	
D452,400 S	* 12/2001	Chen	D6/550
D456,195 S	4/2002	Meck et al.	
D458,787 S	6/2002	Meck et al.	
D466,348 S	* 12/2002	Yen	D6/550

D466,349 S	* 12/2002	Tai	D6/550
D466,737 S	* 12/2002	Tai	D6/550
D466,745 S	* 12/2002	Chou	D6/550
D466,746 S	* 12/2002	Chen	D6/550
D469,644 S	* 2/2003	Yen	D6/550
D472,085 S	3/2003	Goodman et al.	
D472,087 S	3/2003	Goodman et al.	
D477,482 S	* 7/2003	Green	D6/550
D477,486 S	* 7/2003	Green	D6/550
D504,042 S	* 4/2005	Wu	D6/550

* cited by examiner

Primary Examiner—Brian N Vinson

(74) *Attorney, Agent, or Firm*—Calfee, Halter & Griswold LLP

(57) **CLAIM**

The ornamental design for an accessory post, as shown and described.

DESCRIPTION

FIG. 1 is a perspective view of an accessory post of the new design;

FIG. 2 is a front view of the accessory post of FIG. 1;

FIG. 3 is a top view of the accessory post of FIG. 1;

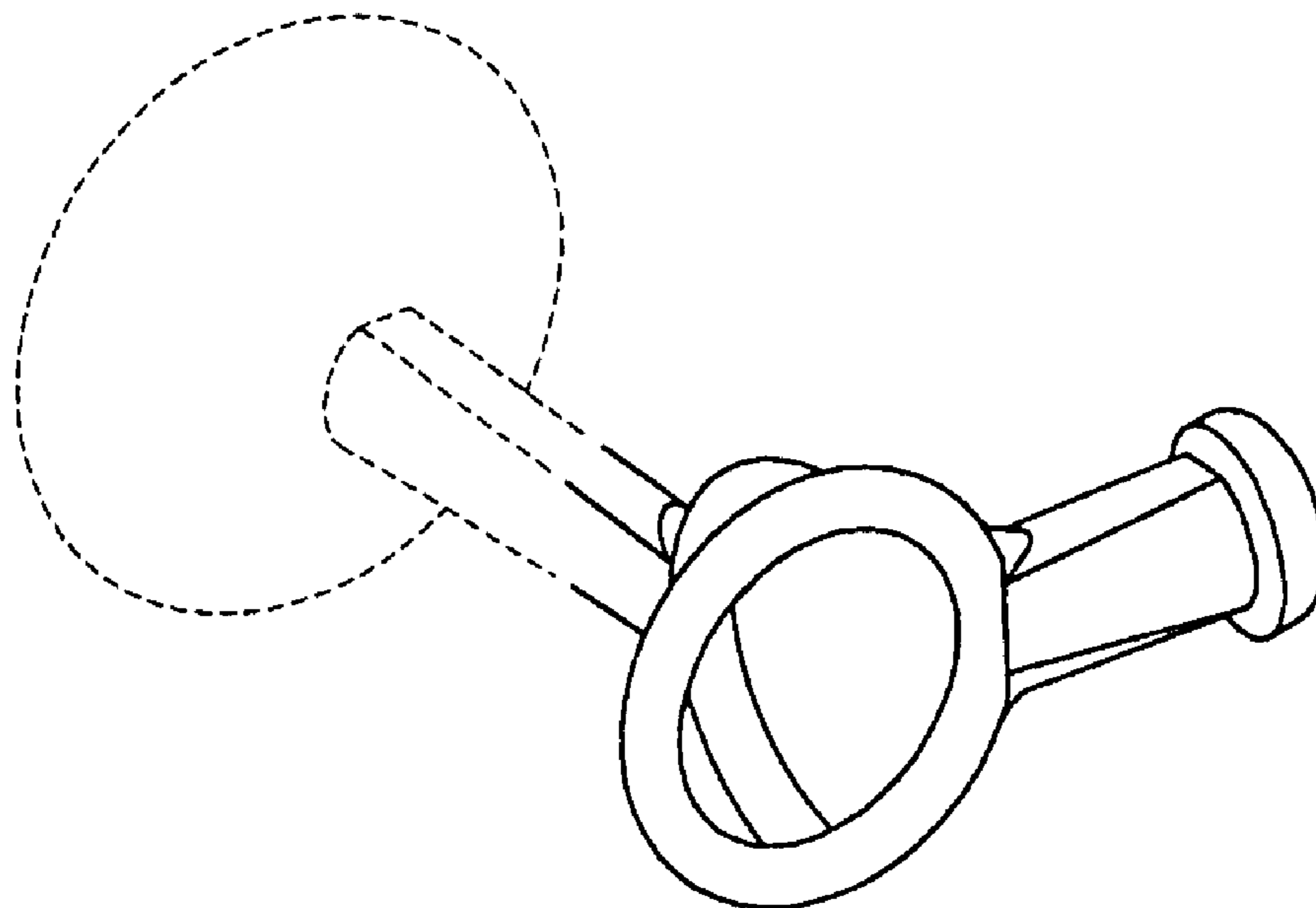
FIG. 4 is a back view of the accessory post of FIG. 1;

FIG. 5 is a side view of the accessory post of FIG. 1, wherein the side views are the same; and,

FIG. 6 is a bottom view of the accessory post of FIG. 1.

The broken-line disclosure in the views is for illustrative purposes only and forms no part of the claimed design.

1 Claim, 2 Drawing Sheets



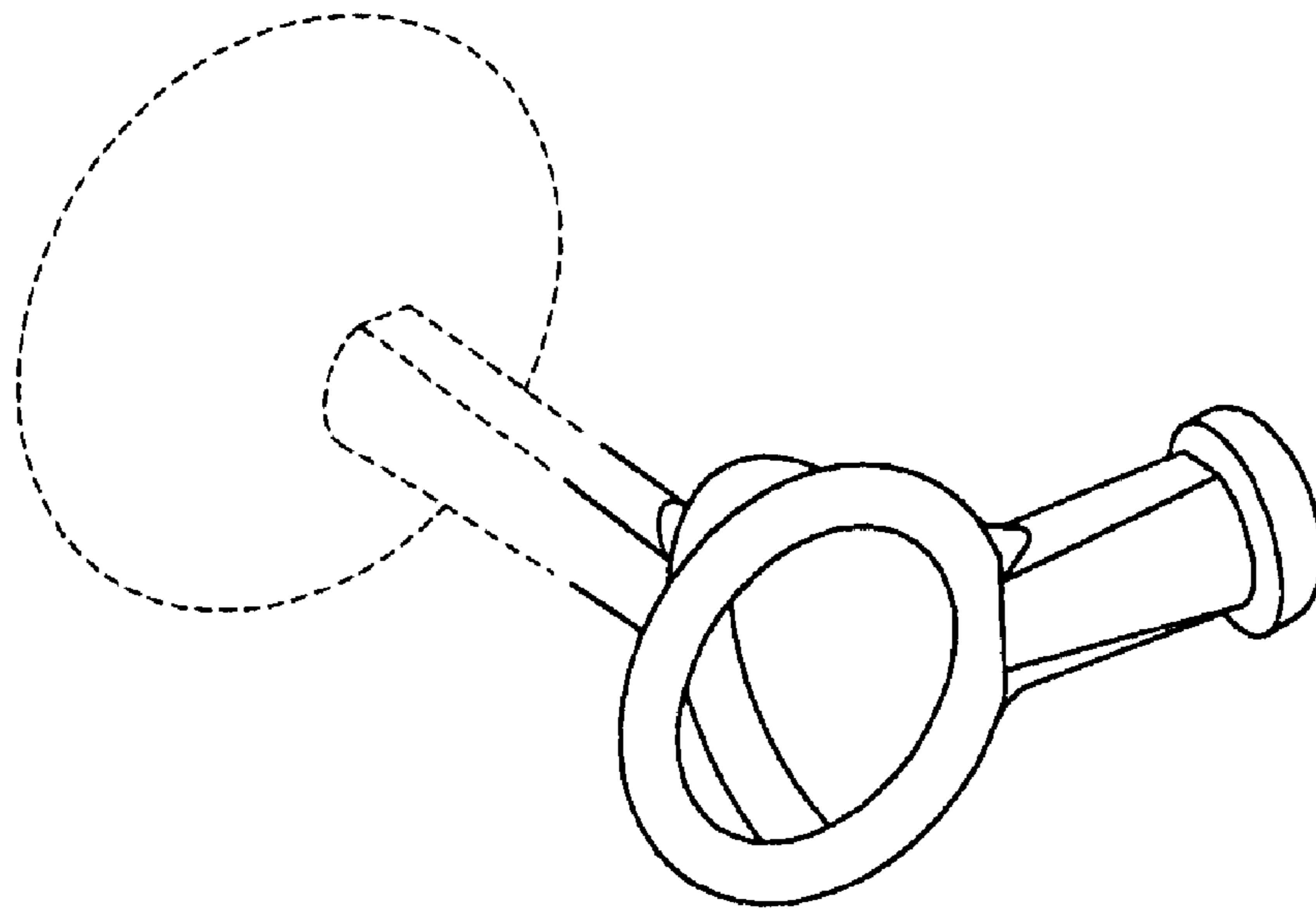


FIG. 1

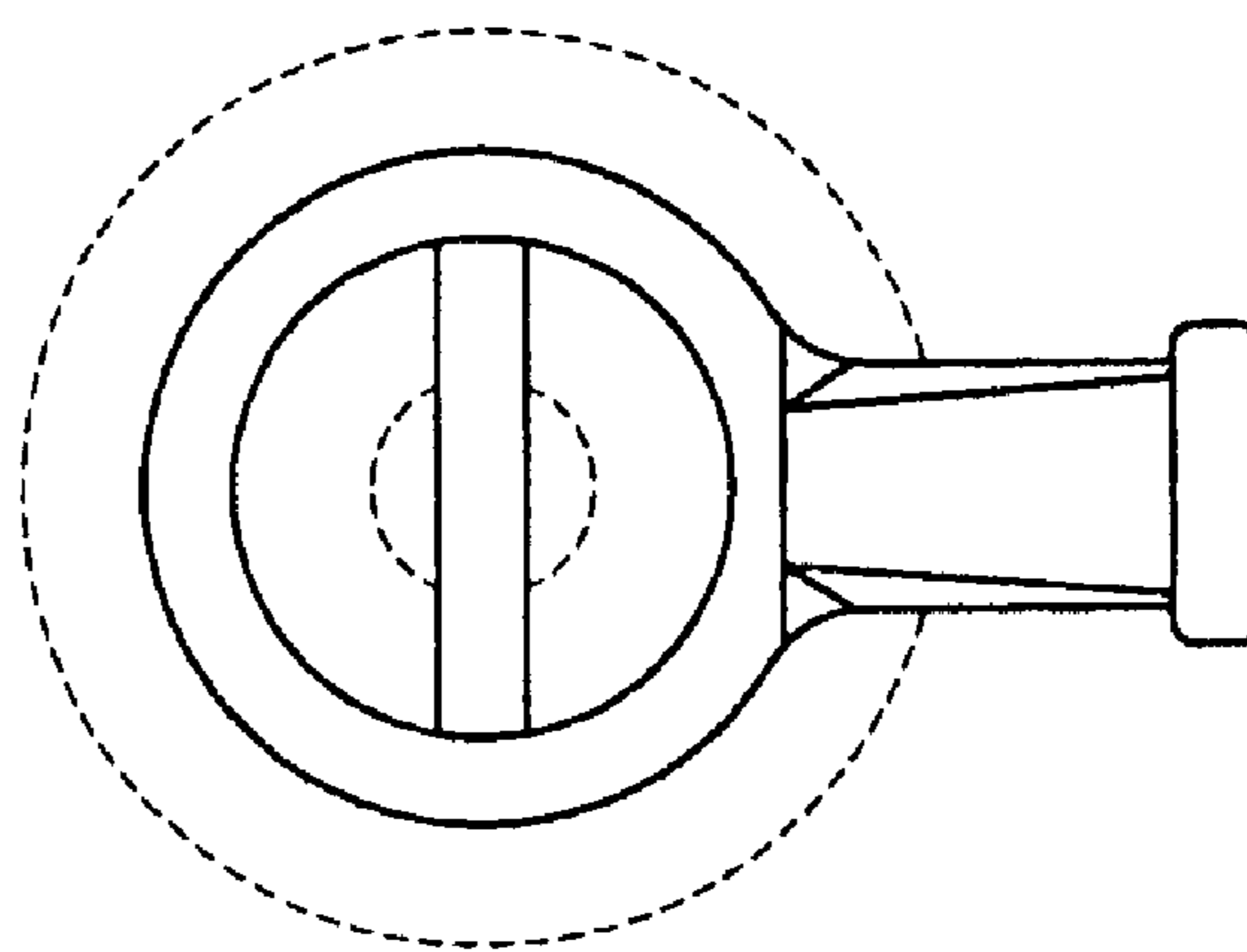


FIG. 2

FIG. 3

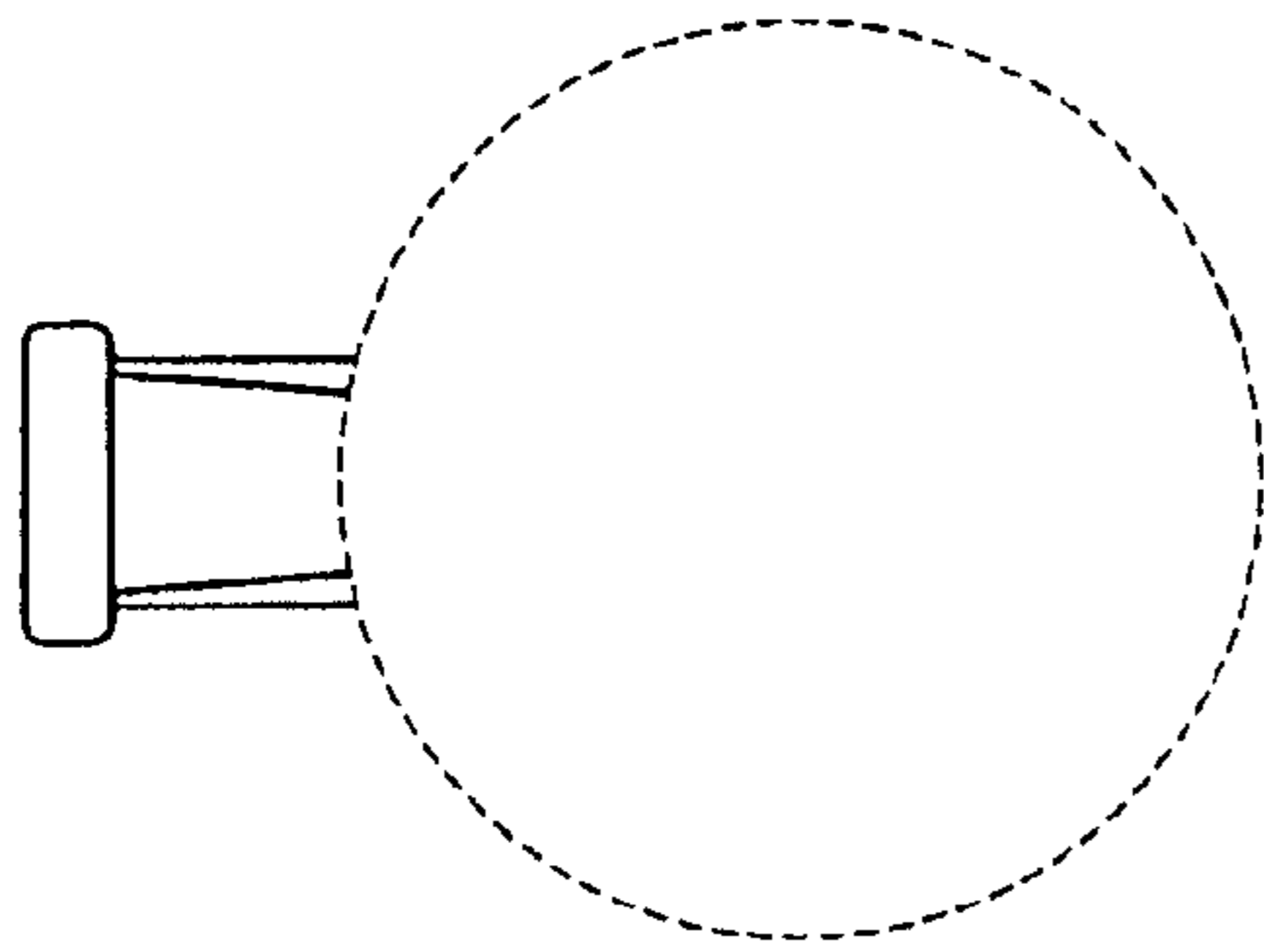
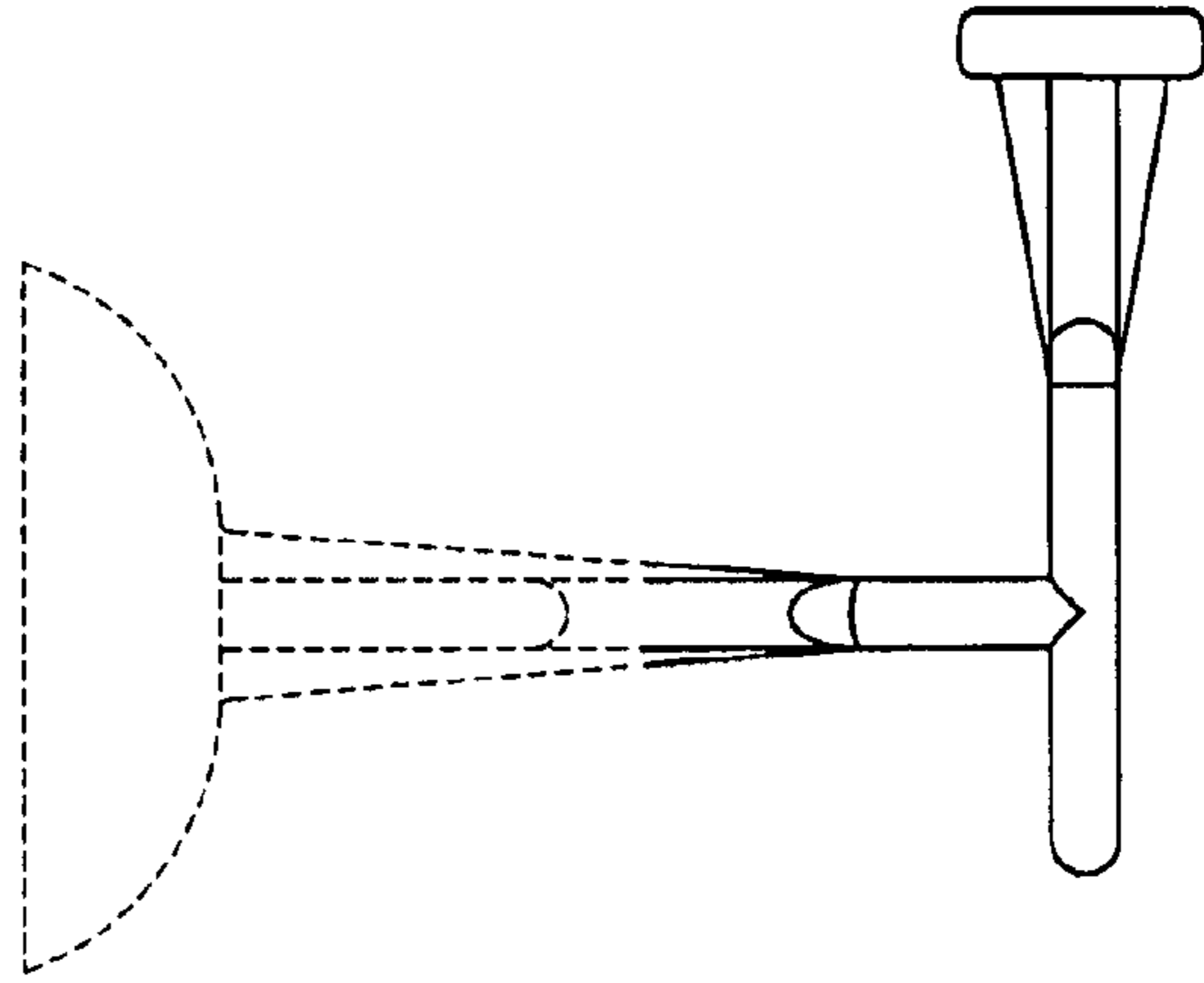


FIG. 4

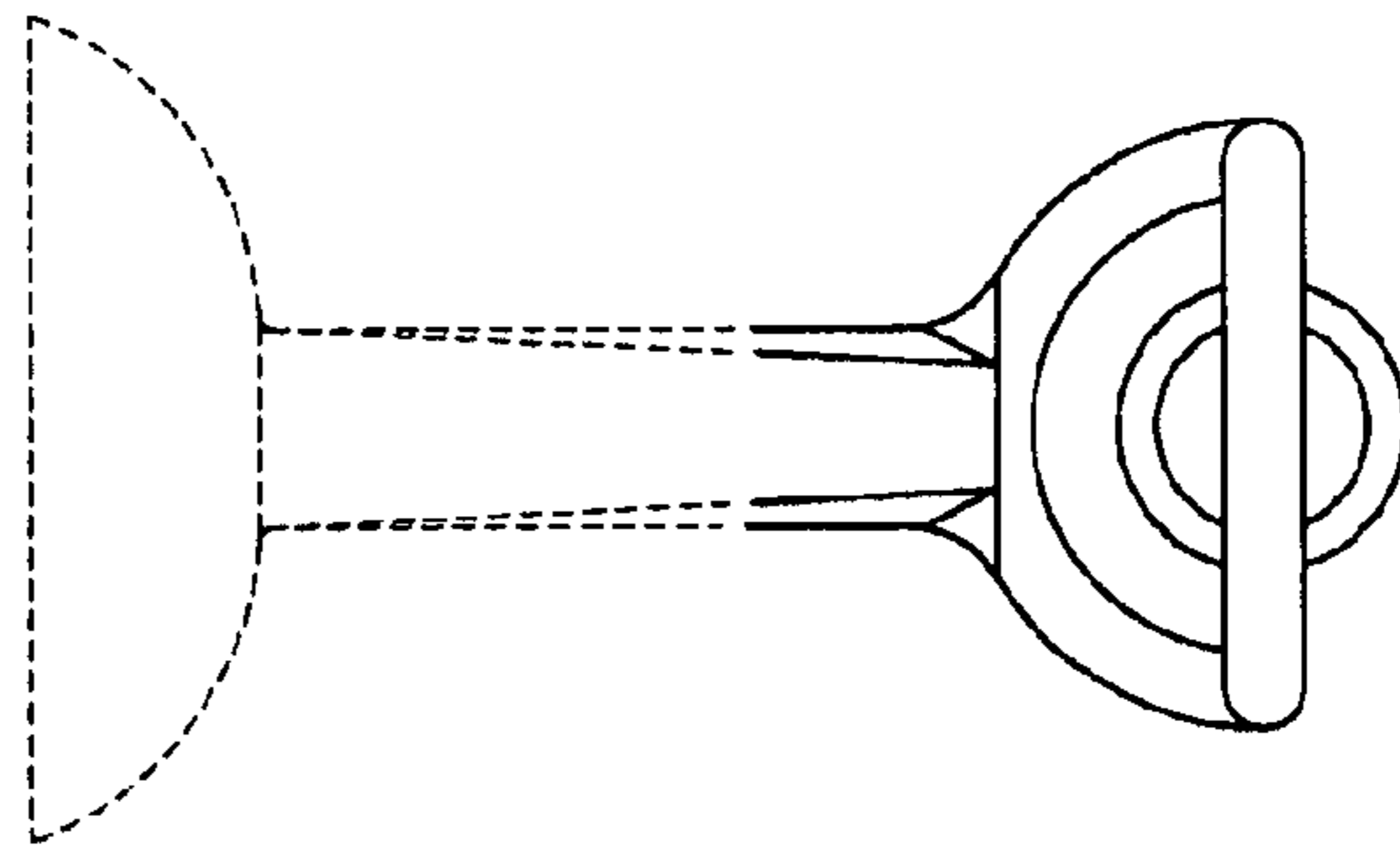


FIG. 5

FIG. 6

