



US00D519766S

(12) **United States Design Patent**  
**Gilbert**

(10) **Patent No.:** **US D519,766 S**

(45) **Date of Patent:** **\*\* May 2, 2006**

(54) **POST FOR BATHROOM ACCESSORY**

(75) Inventor: **Christopher Jon Gilbert**, Moreland Hills, OH (US)

(73) Assignee: **Moen Incorporated**, North Olmsted, OH (US)

(\*\*) Term: **14 Years**

(21) Appl. No.: **29/221,181**

(22) Filed: **Jan. 12, 2005**

(51) **LOC (8) Cl.** ..... **23-02**

(52) **U.S. Cl.** ..... **D6/524**

(58) **Field of Classification Search** ..... D6/552-51;  
D8/300, 354, 363, 380; 108/28-29; 211/13.1,  
211/16, 60.1, 86.01, 87.01, 88.04, 100, 105.1,  
211/105.2, 123, 181.1, 181.2; 248/175, 176.1,  
248/251, 302; 16/110.1, 412, 415

See application file for complete search history.

(56) **References Cited**

**U.S. PATENT DOCUMENTS**

D33,787 S	12/1900	Meiners
D33,860 S	1/1901	Glauber
D72,772 S	5/1927	Kipper
D76,713 S	10/1928	Smith
D76,904 S	11/1928	Smith
D82,571 S	11/1930	Lovett
D85,498 S	11/1931	Teller et al.
D97,398 S	11/1935	Levett
D97,941 S	12/1935	Levett
2,590,410 A	3/1952	Hurley
D287,163 S	12/1986	Piesco
D287,269 S	12/1986	Piesco
D298,564 S	11/1988	Paul
D303,284 S	9/1989	Paul
D405,162 S	2/1999	Doughty et al.

D405,163 S	2/1999	Doughty et al.
D428,118 S	7/2000	McKeone
D429,521 S	8/2000	Doughty et al.
D451,737 S	12/2001	Chen
D456,063 S	4/2002	McKeone
D461,536 S	8/2002	Singtoroj
D463,535 S	9/2002	Singtoroj
D466,736 S	12/2002	Ouyoung
D468,405 S	1/2003	McKeone
D473,932 S	4/2003	Caplow
D492,151 S	6/2004	Chen

*Primary Examiner*—Louis S. Zarfes

*Assistant Examiner*—Gregory Andoll

(74) *Attorney, Agent, or Firm*—Calfee, Halter & Griswold LLP

(57) **CLAIM**

The ornamental design for a post for bathroom accessory, as shown and described.

**DESCRIPTION**

FIG. 1 is a perspective view of a post for bathroom accessory of the new design;

FIG. 2 is a front elevational view of the post for bathroom accessory of FIG. 1;

FIG. 3 is a rear elevational view of the post for bathroom accessory of FIG. 1;

FIG. 4 is a left side elevational view of the post for bathroom accessory of FIG. 1;

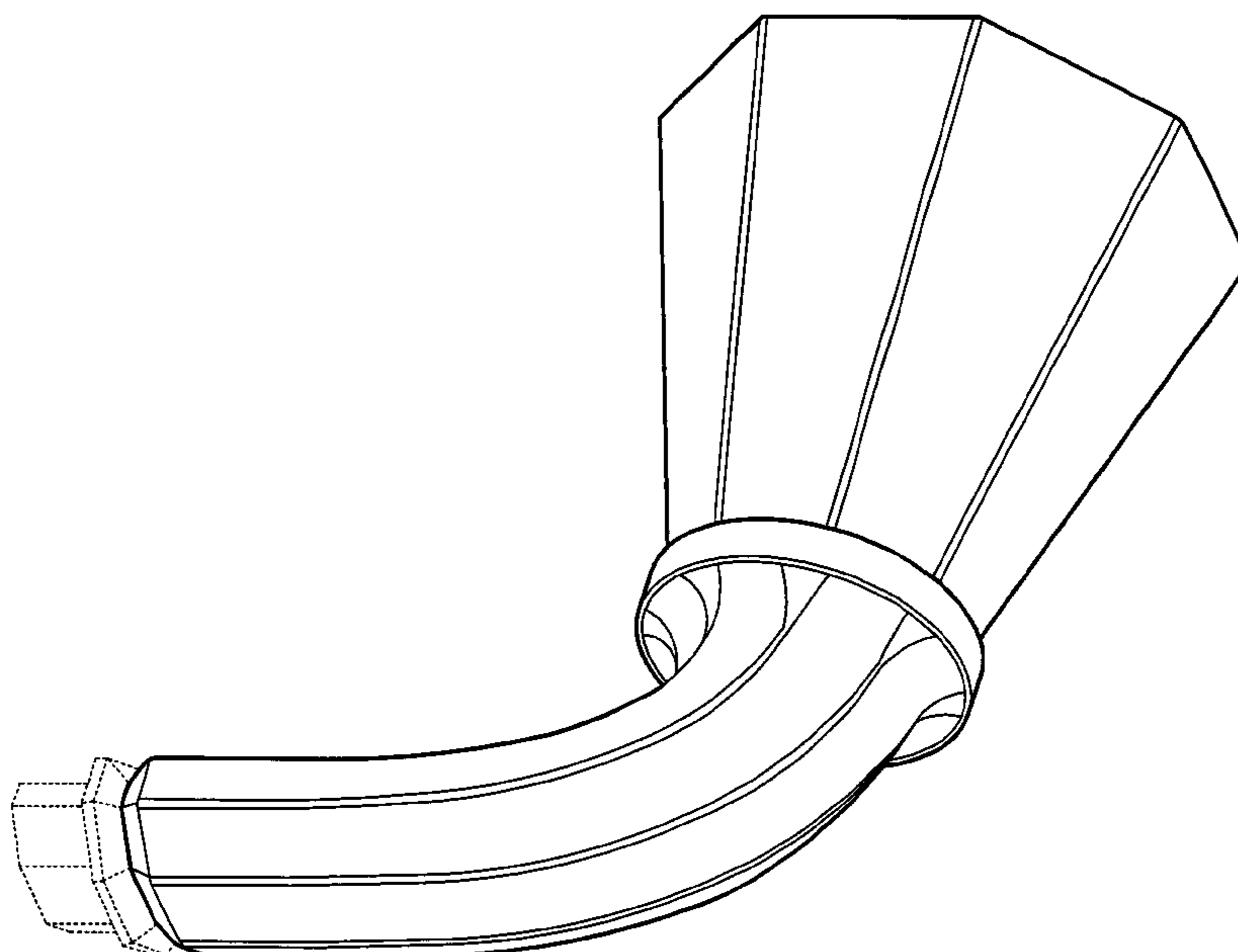
FIG. 5 is a right side elevational view of the post for bathroom accessory of FIG. 1;

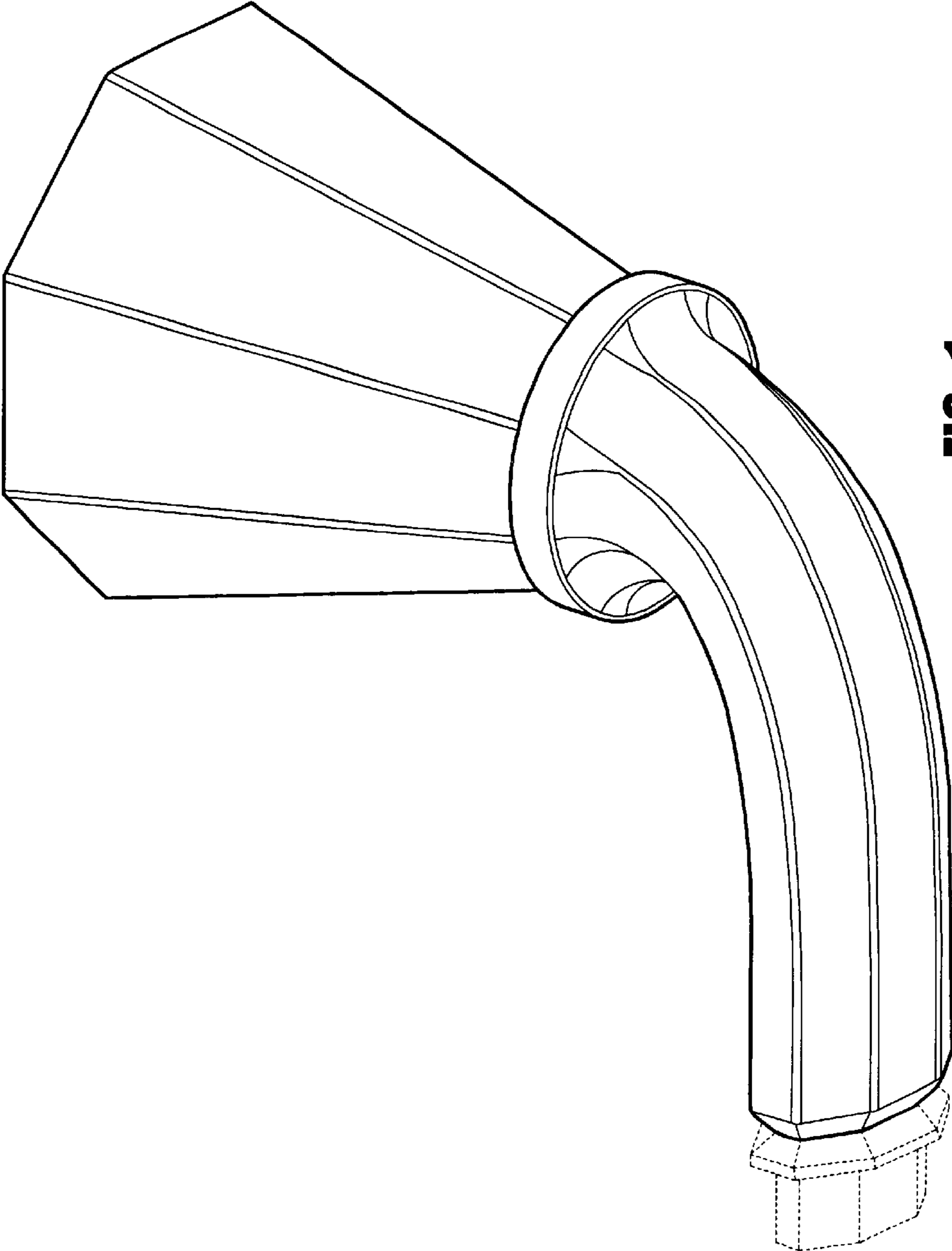
FIG. 6 is top plan view of the post for bathroom accessory of FIG. 1; and,

FIG. 7 is a bottom plan view of the post for bathroom accessory of FIG. 1.

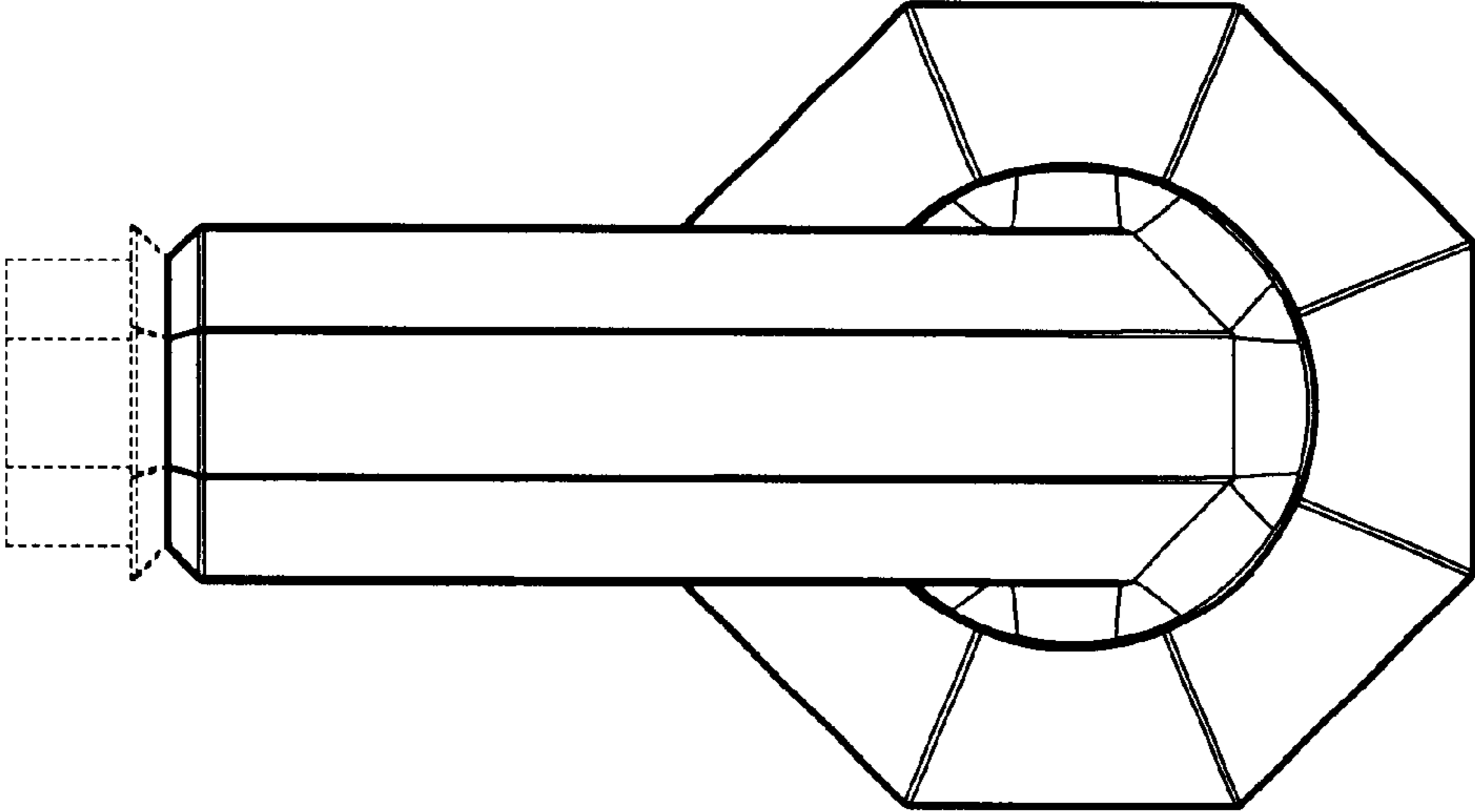
The portions of the Figures shown in broken lines are not part of the claimed design but are for illustration only.

**1 Claim, 4 Drawing Sheets**

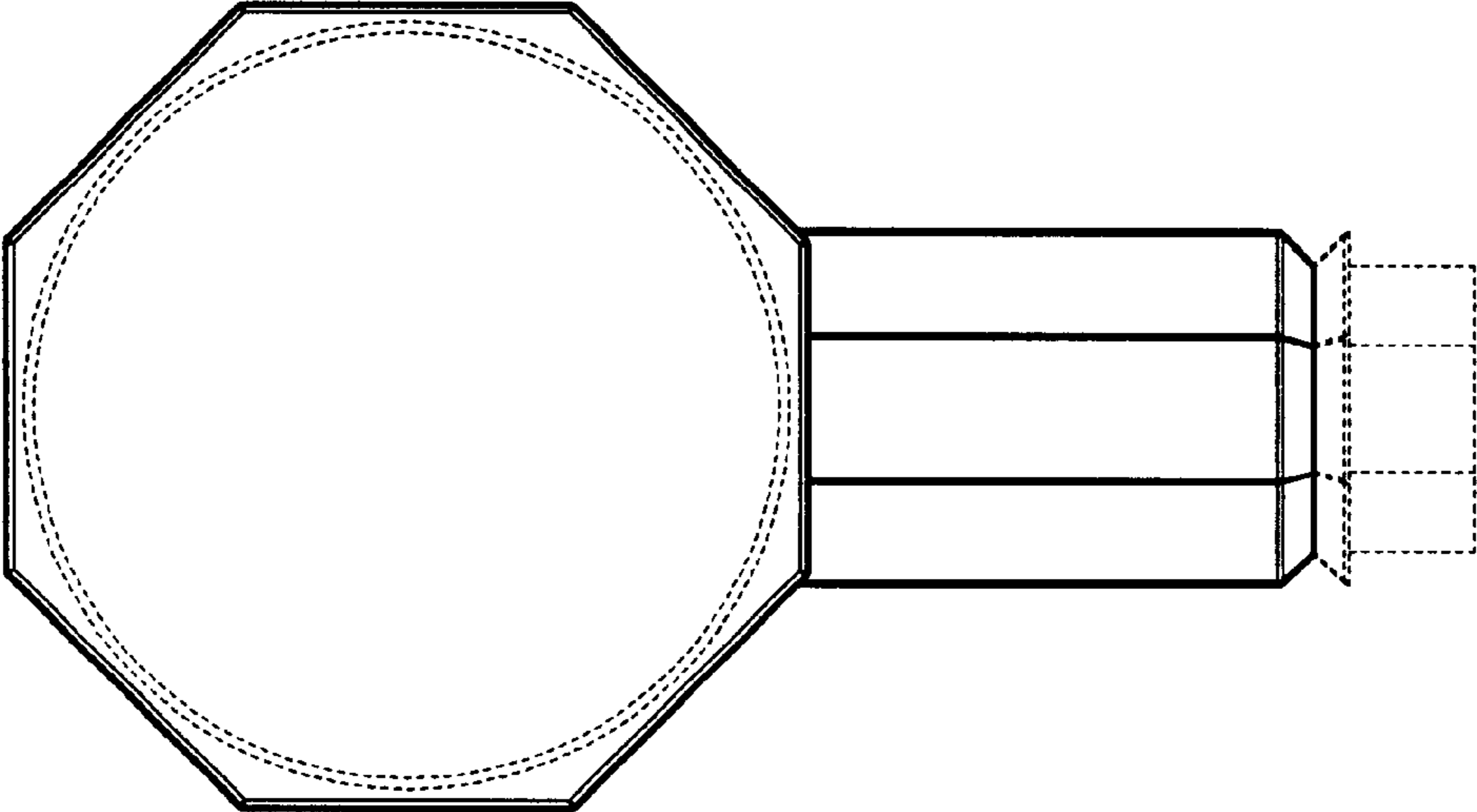




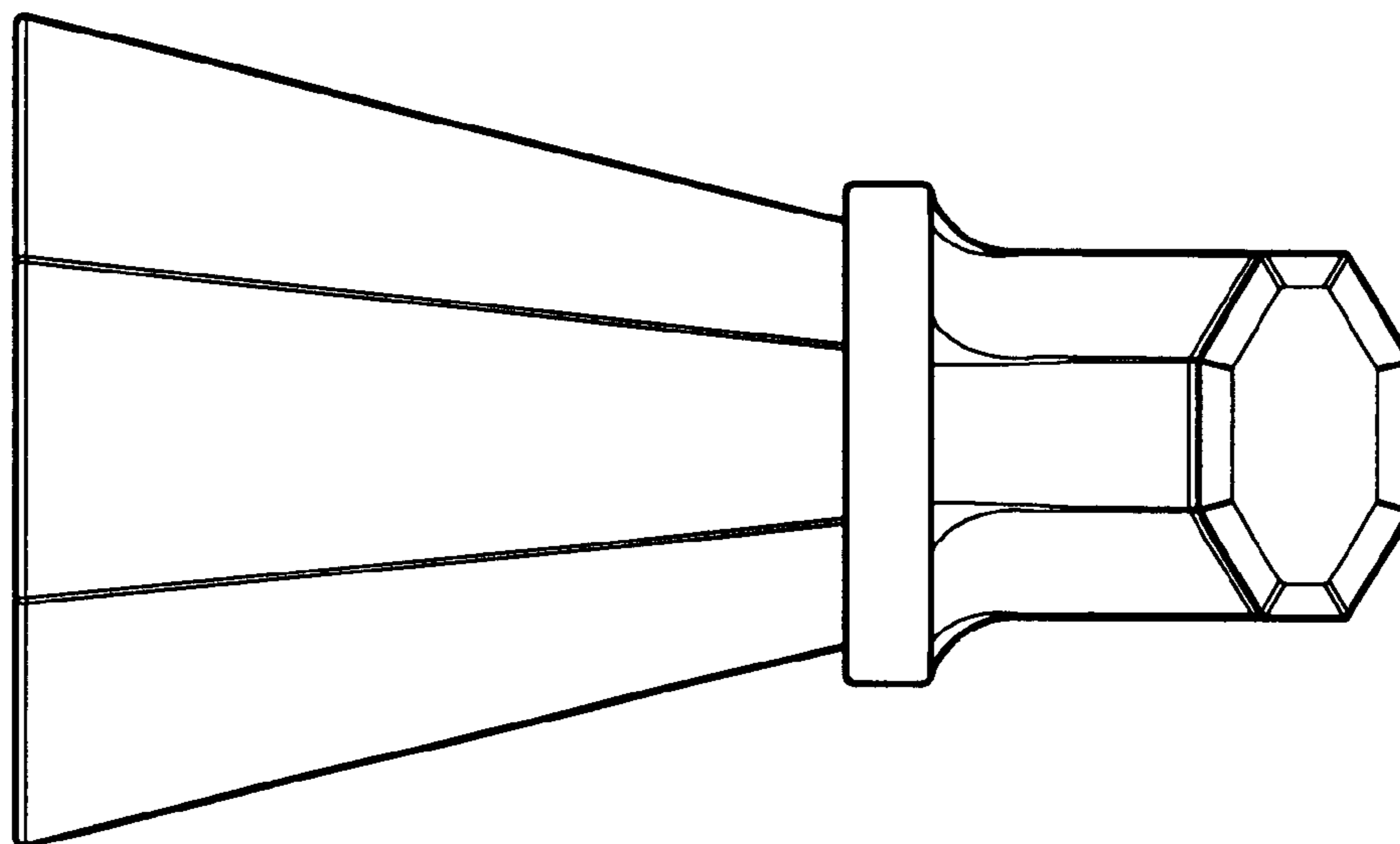
**FIG. 1**



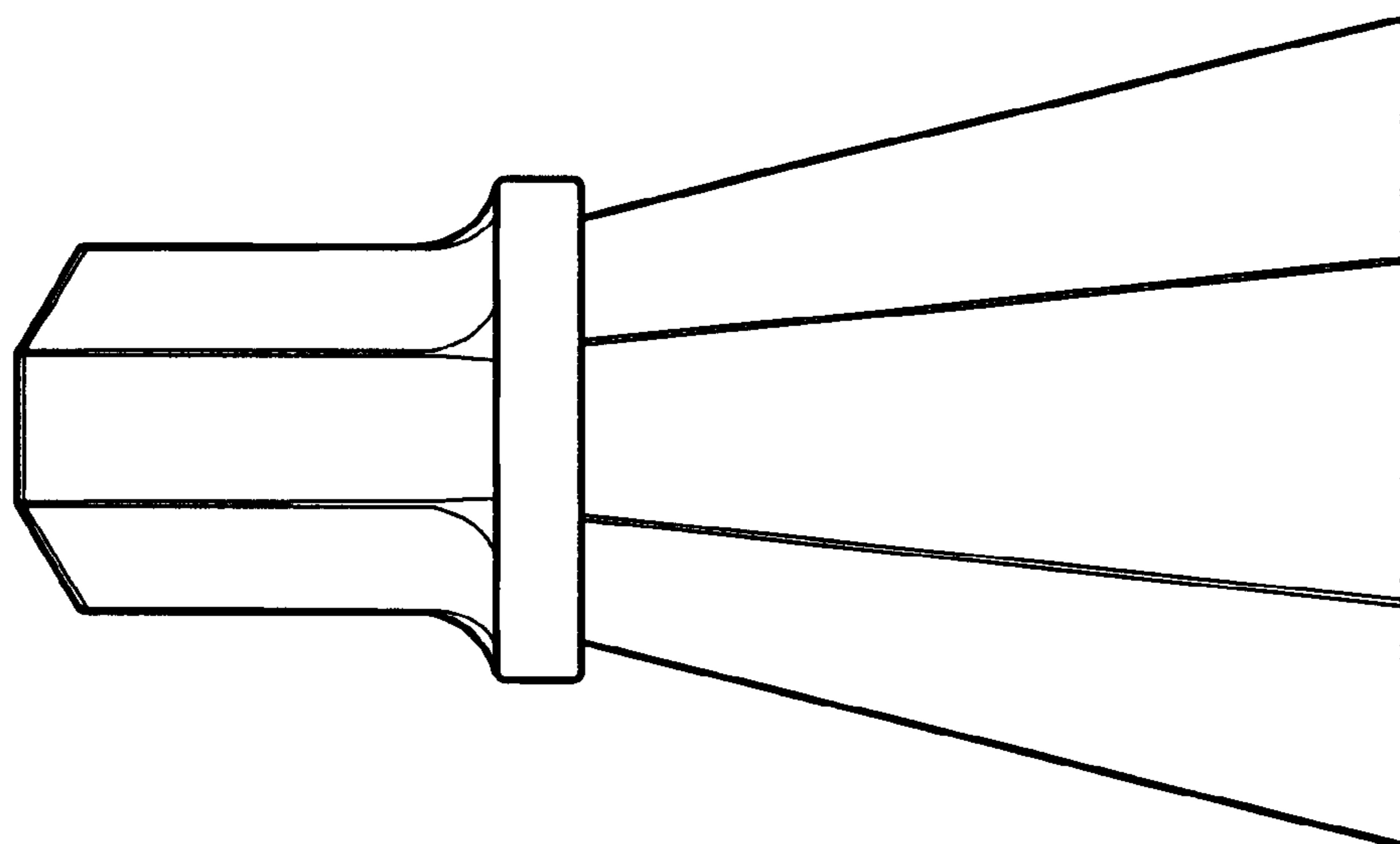
**FIG. 2**



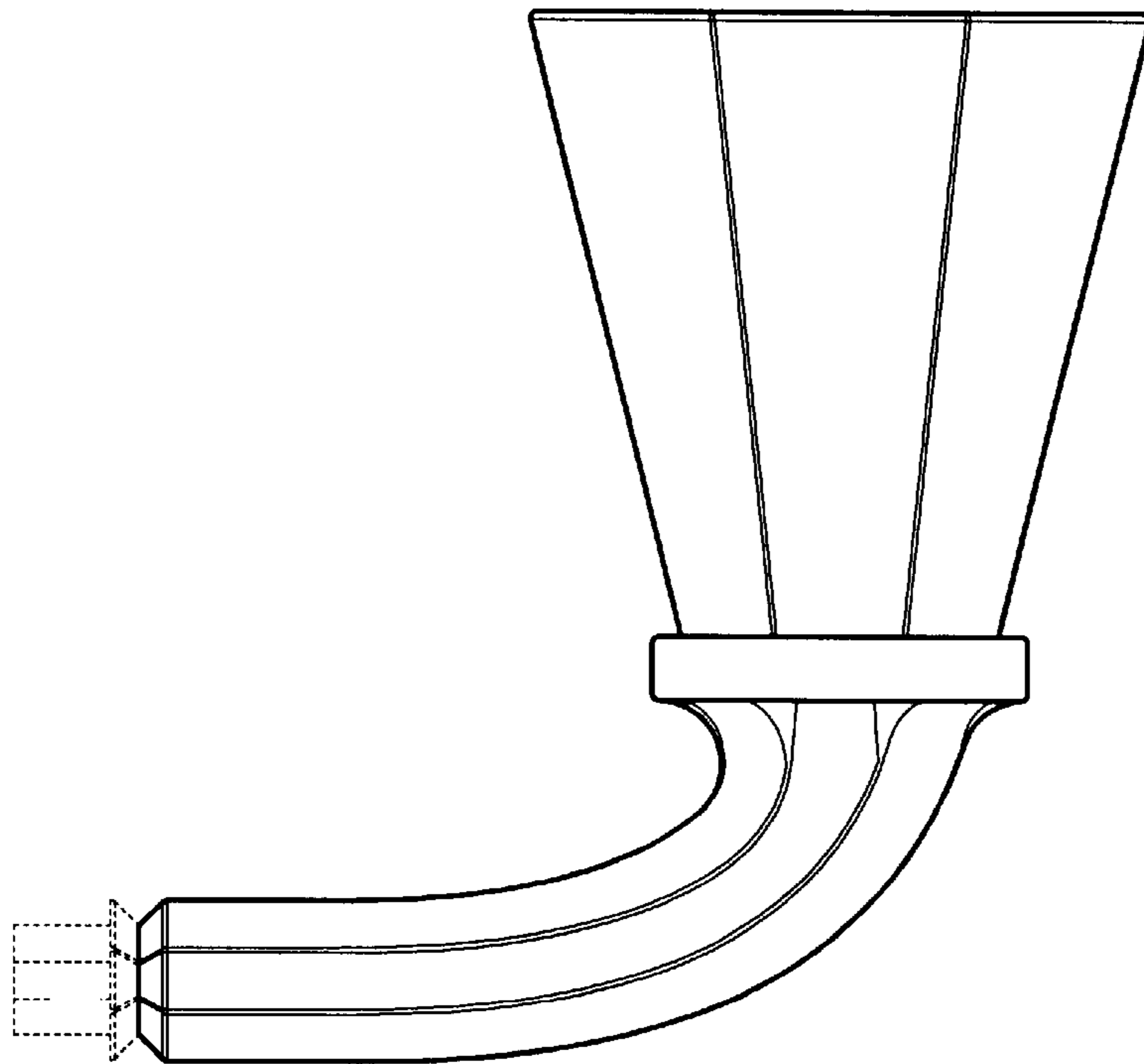
**FIG. 3**



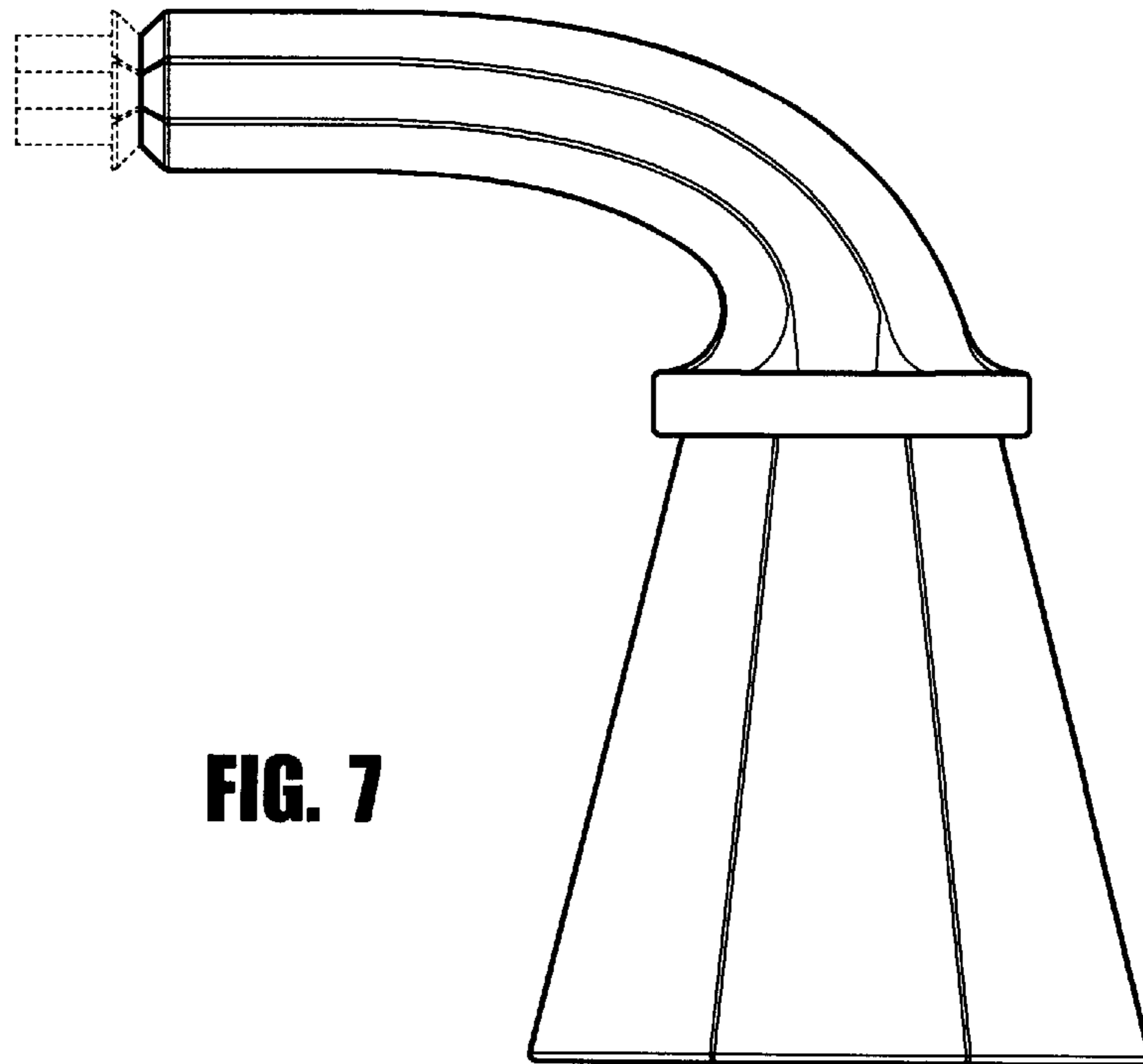
**FIG. 4**



**FIG. 5**



**FIG. 6**



**FIG. 7**