



US00D519763S

(12) **United States Design Patent** (10) **Patent No.:** **US D519,763 S**  
**Larger et al.** (45) **Date of Patent:** **\*\* May 2, 2006**

(54) **INFANT CHANGING TABLE**

D427,451 S \* 7/2000 Cary et al. .... D6/396  
2002/0157180 A1 10/2002 Koenig et al.

(75) Inventors: **Amy M. Larger**, Minster, OH (US);  
**Michael R. Supinger**, Russia, OH  
(US); **Thomas J. Whitman**, Huber  
Heights, OH (US)

\* cited by examiner

*Primary Examiner*—Janice E. Seeger  
(74) *Attorney, Agent, or Firm*—Taft, Stettinius & Hollister  
LLP

(73) Assignee: **Evenflo Company, Inc.**, Vandalia, OH  
(US)

(57) **CLAIM**

(\*\*) Term: **14 Years**

We claim the ornamental design for an infant changing table,  
as shown and described.

(21) Appl. No.: **29/220,761**

**DESCRIPTION**

(22) Filed: **Jan. 5, 2005**

(51) **LOC (8) Cl.** ..... **06-06**

(52) **U.S. Cl.** ..... **D6/503**; D6/429; D6/485;  
D6/511

(58) **Field of Classification Search** ..... D6/390,  
D6/391, 333, 503, 419, 420, 474, 479, 437,  
D6/430, 511, 555, 484, 485; 108/69, 77,  
108/166, 170; 5/93.1, 93.2, 99.1, 101  
See application file for complete search history.

FIG. 1 is an elevated forward perspective view of an infant  
changing table, in the closed position, showing our new  
design;

FIG. 2 is a right side view thereof;

FIG. 3 is a frontal view thereof;

FIG. 4 is a rear view thereof;

FIG. 5 is a bottom view thereof;

FIG. 6 is an overhead view thereof;

FIG. 7 an elevated forward perspective view of an infant  
changing table, in the open position, showing our new  
design;

FIG. 8 is a right side view thereof;

FIG. 9 is a frontal view thereof;

FIG. 10 is a rear view thereof; and,

FIG. 11 is an overhead view thereof.

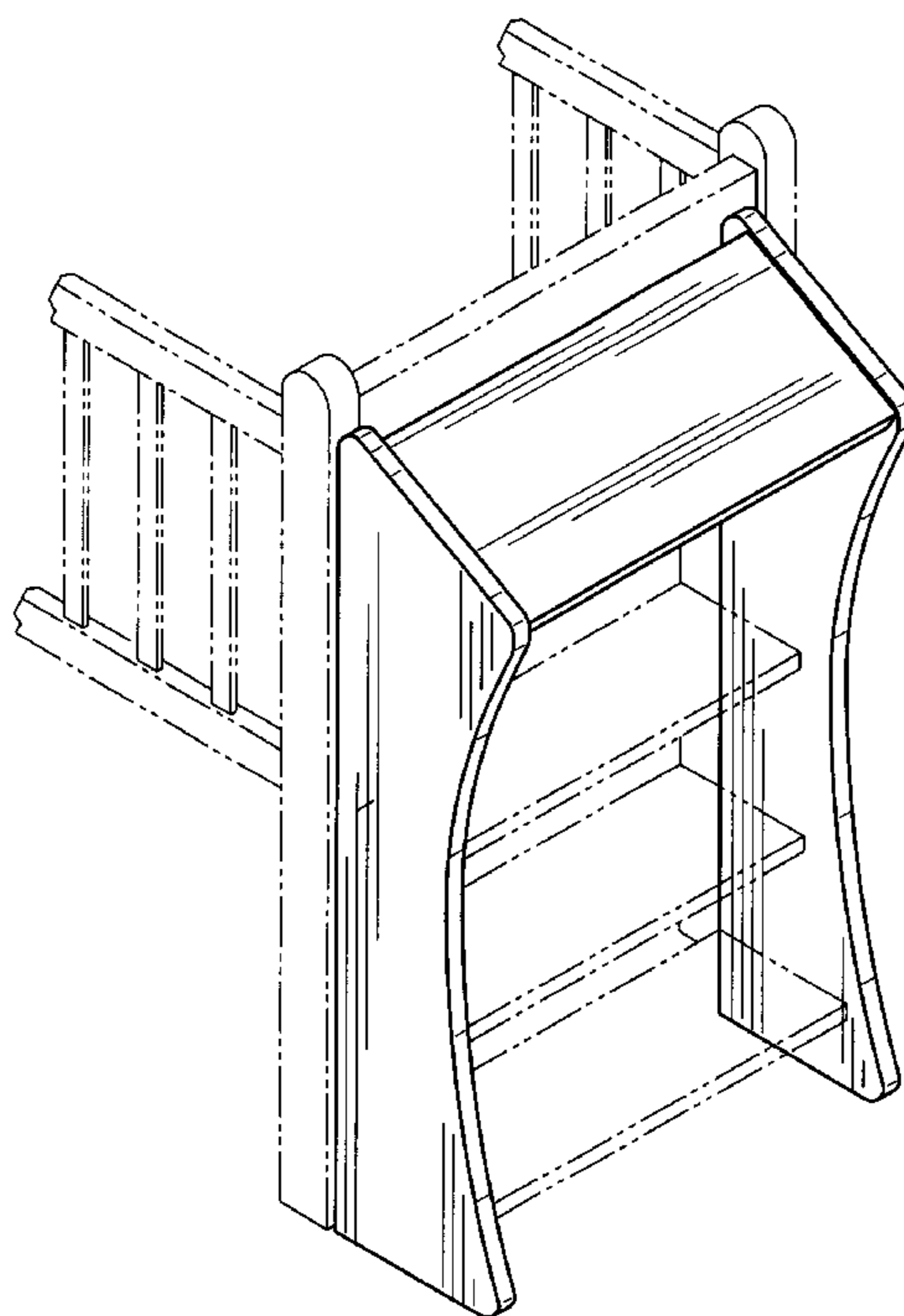
The broken lines showing portions of a crib in FIGS. 1–3,  
5–9, and 11, as well as the broken lines showing shelves in  
FIGS. 1, 3, 4, 7, 9, and 10, are for illustrative purposes only  
and form no part of the claimed design.

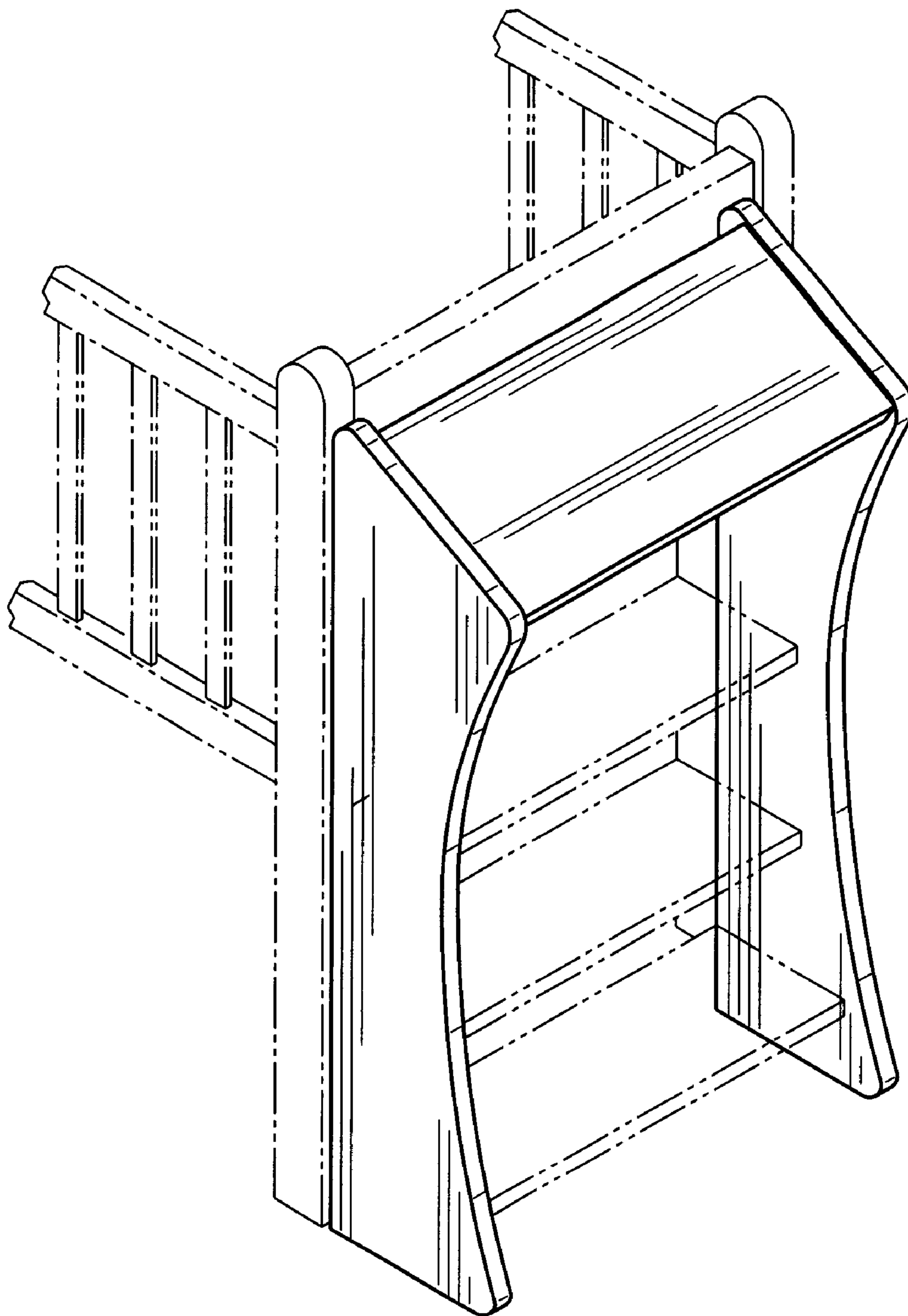
(56) **References Cited**

**U.S. PATENT DOCUMENTS**

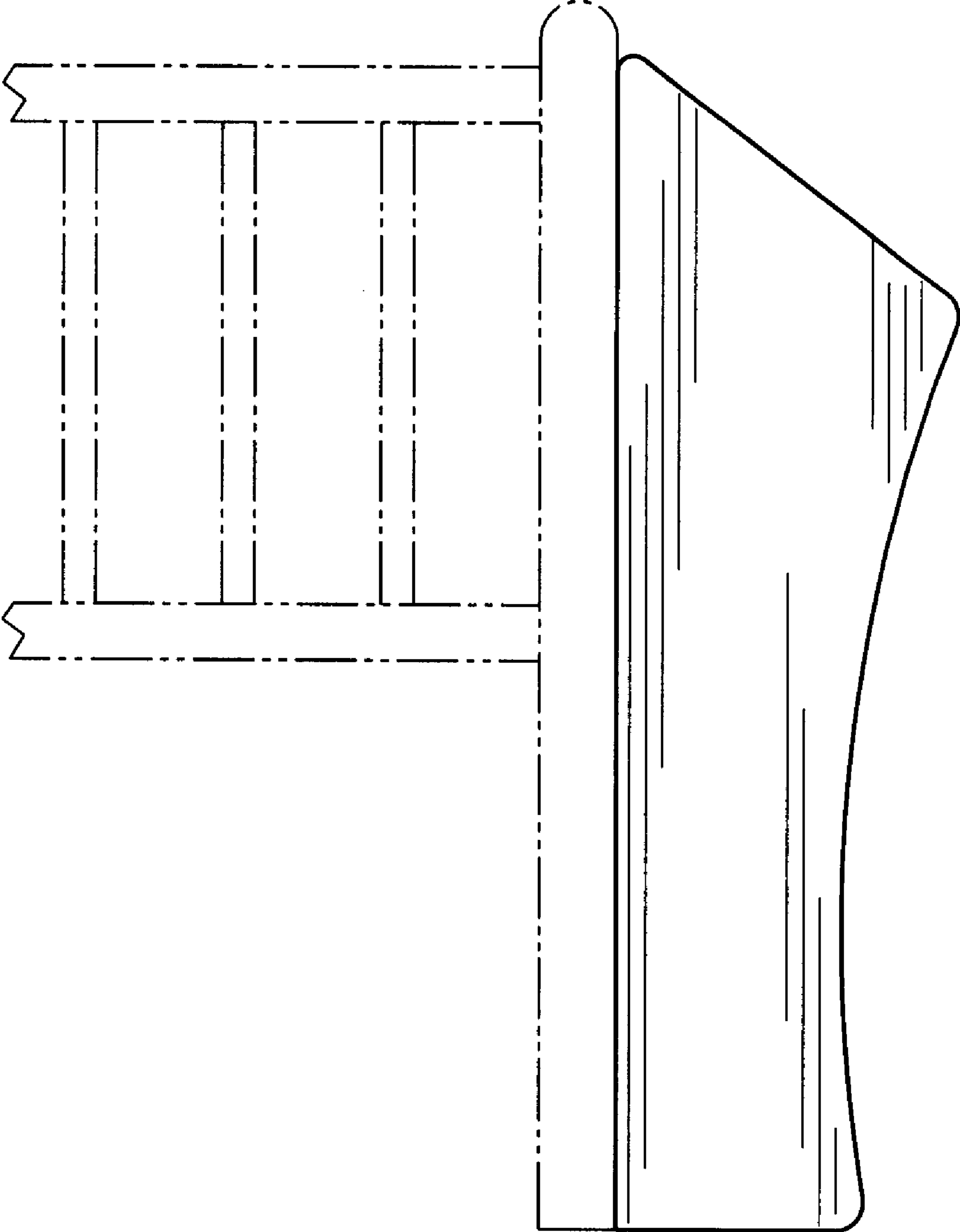
137,263	A	*	3/1873	Venable	.....	297/169
D251,640	S	*	4/1979	Hindman	.....	D6/338
D260,827	S		9/1981	Sommer		
D269,229	S		6/1983	Brunner et al.		
D272,872	S		3/1984	Moreno		
D293,398	S	*	12/1987	Kwiecinski	.....	D6/430
D346,708	S		5/1994	Baer		
D352,843	S		11/1994	Szebegyinszki		
D403,525	S	*	1/1999	Zaidman	.....	D6/384

**1 Claim, 8 Drawing Sheets**





*Fig. 1*



*Fig. 2*

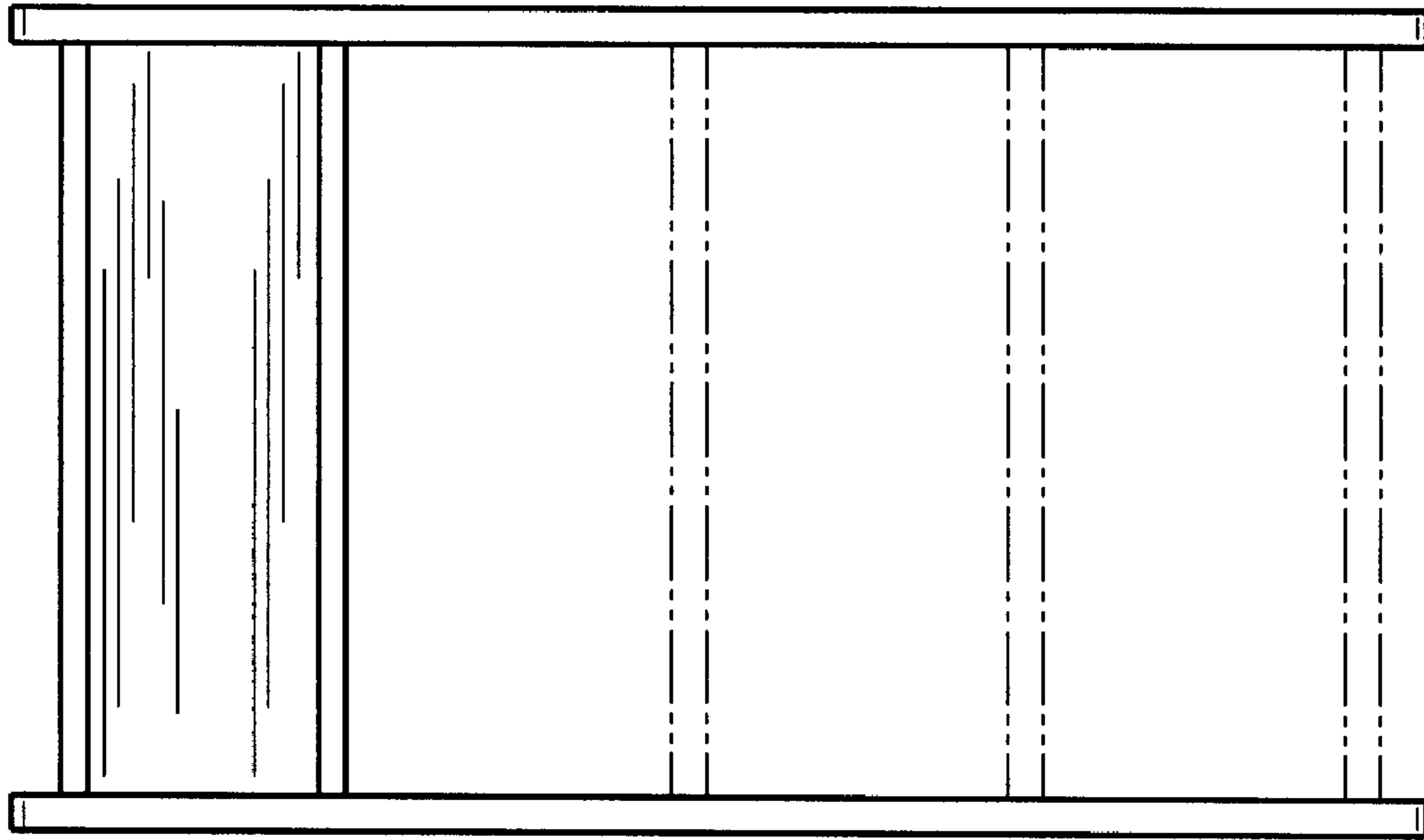


Fig. 4

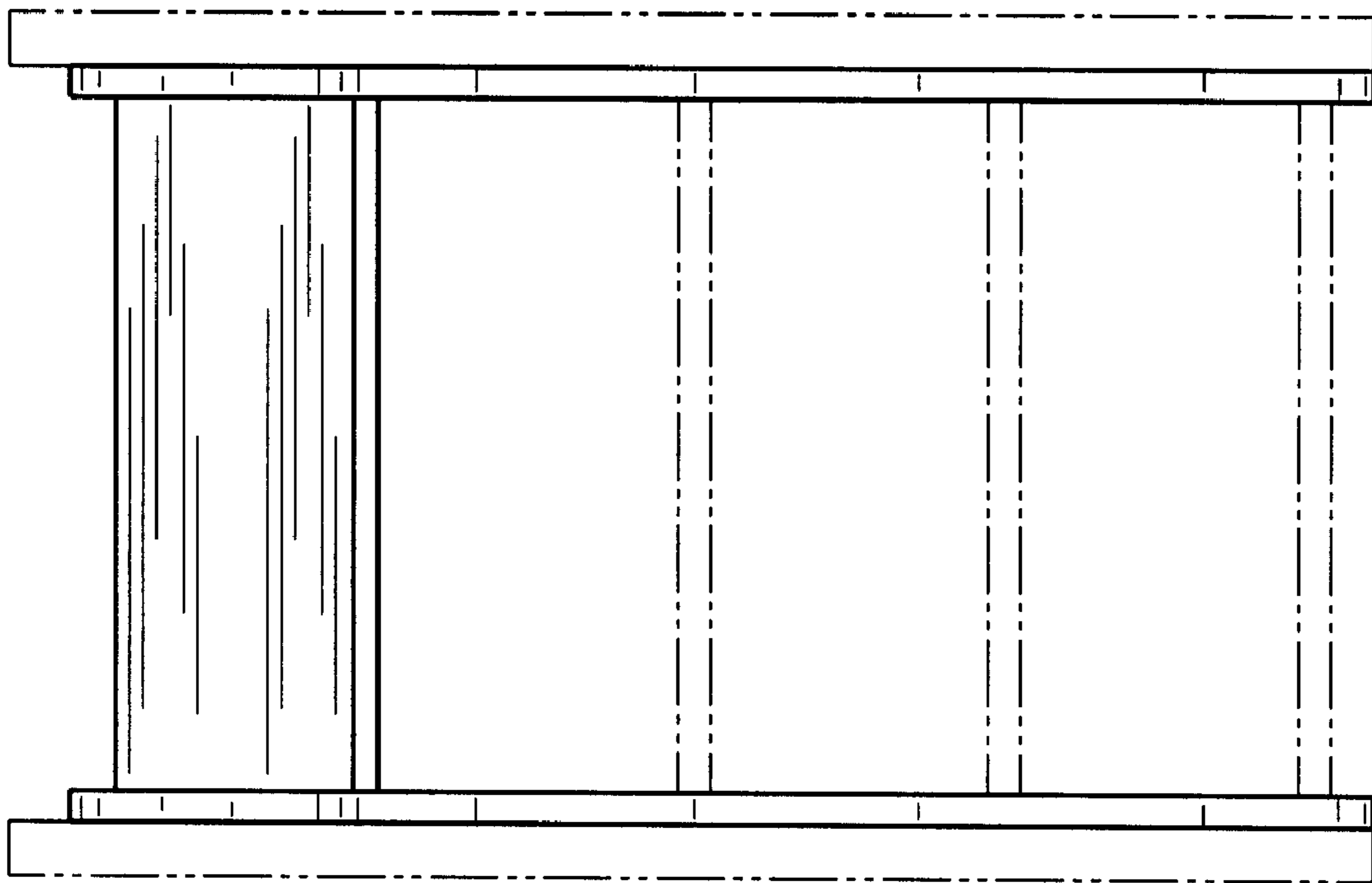


Fig. 3

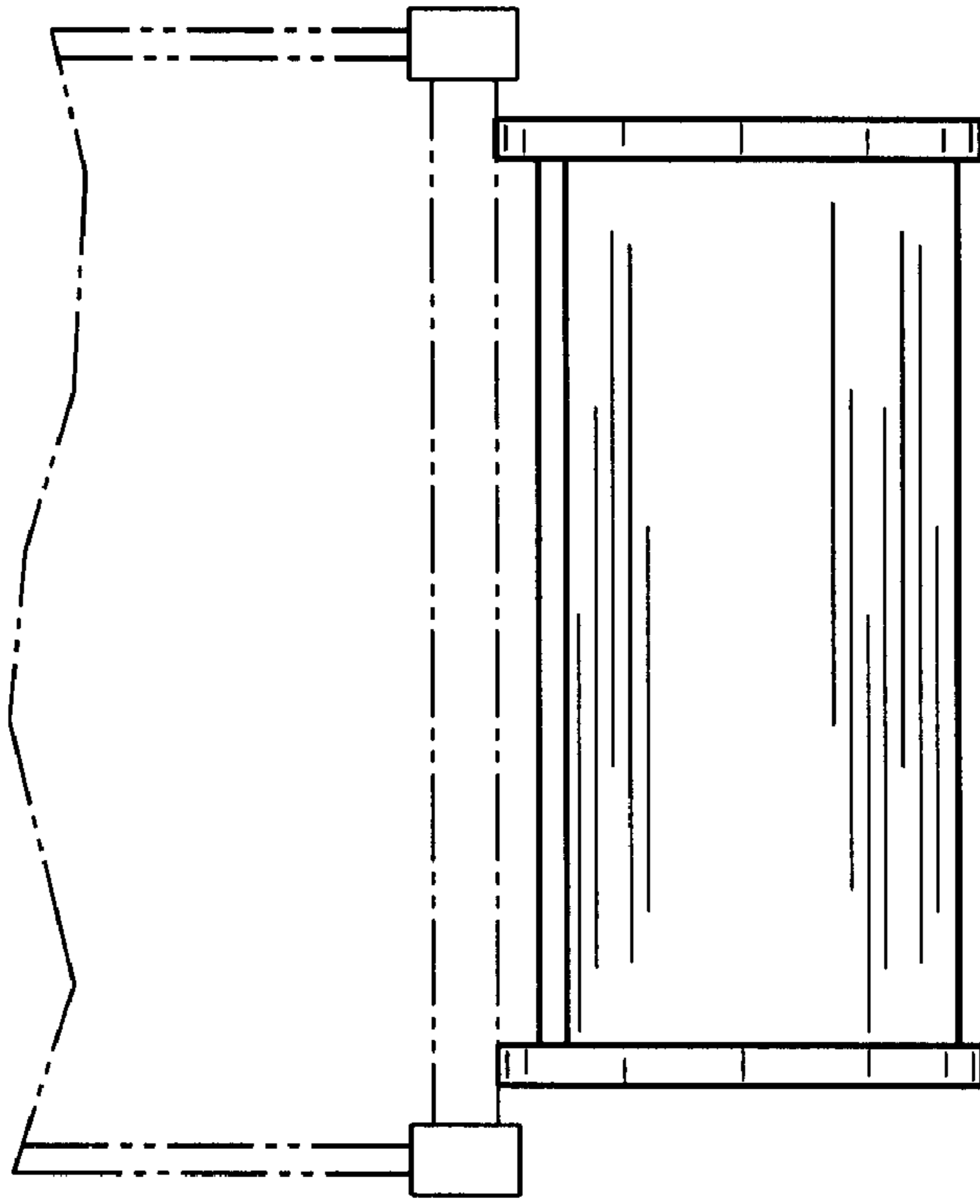


Fig. 5

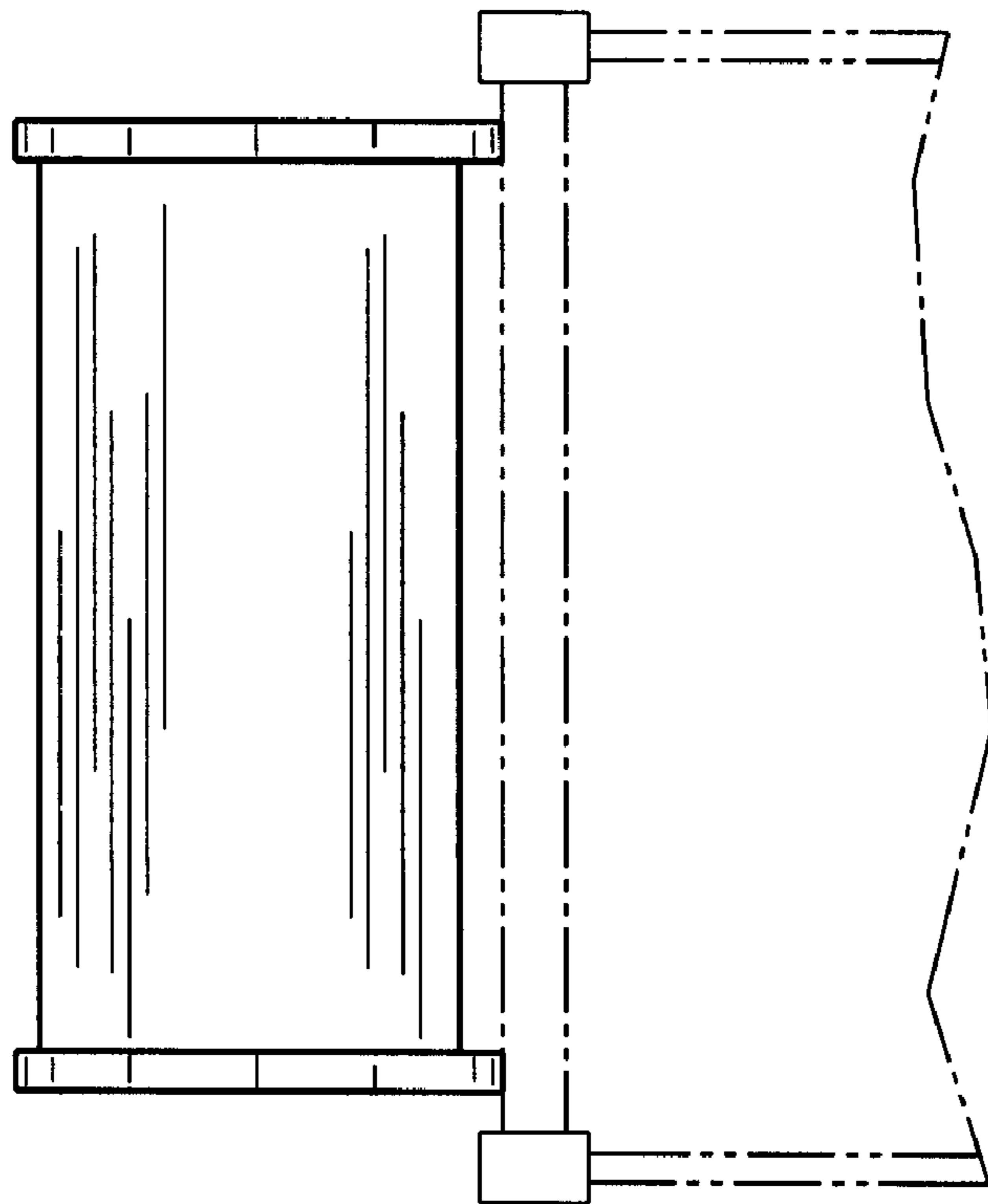
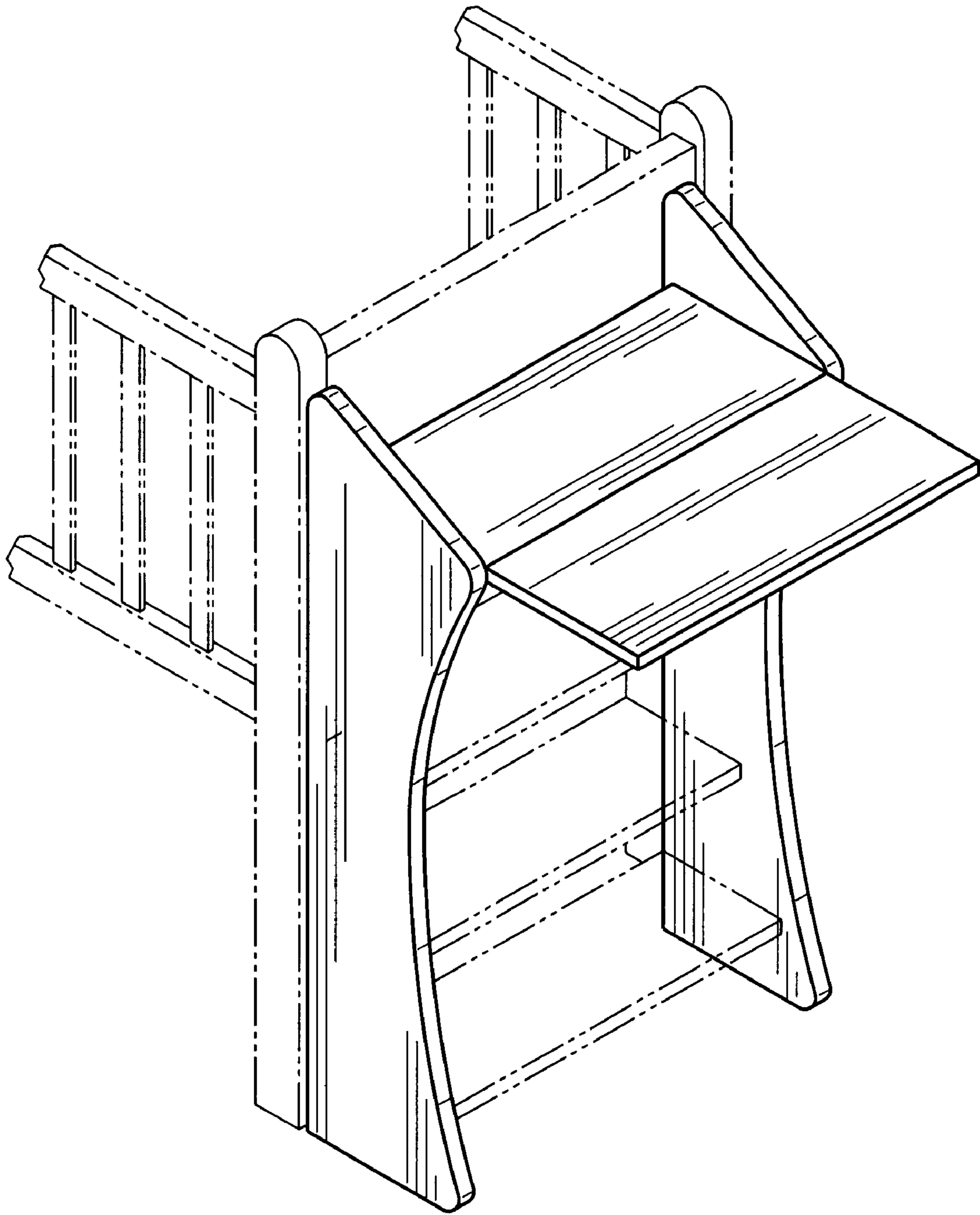
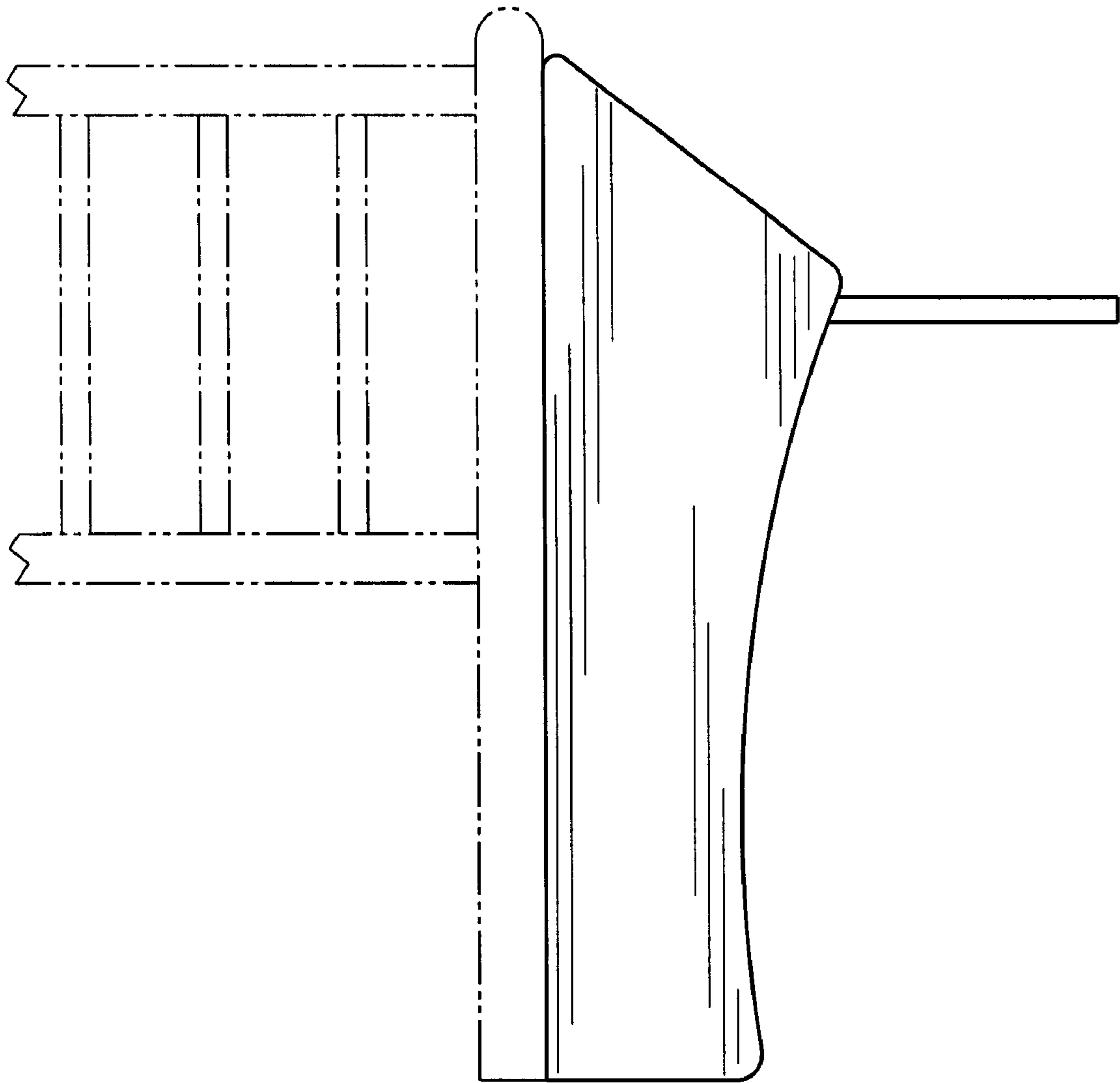


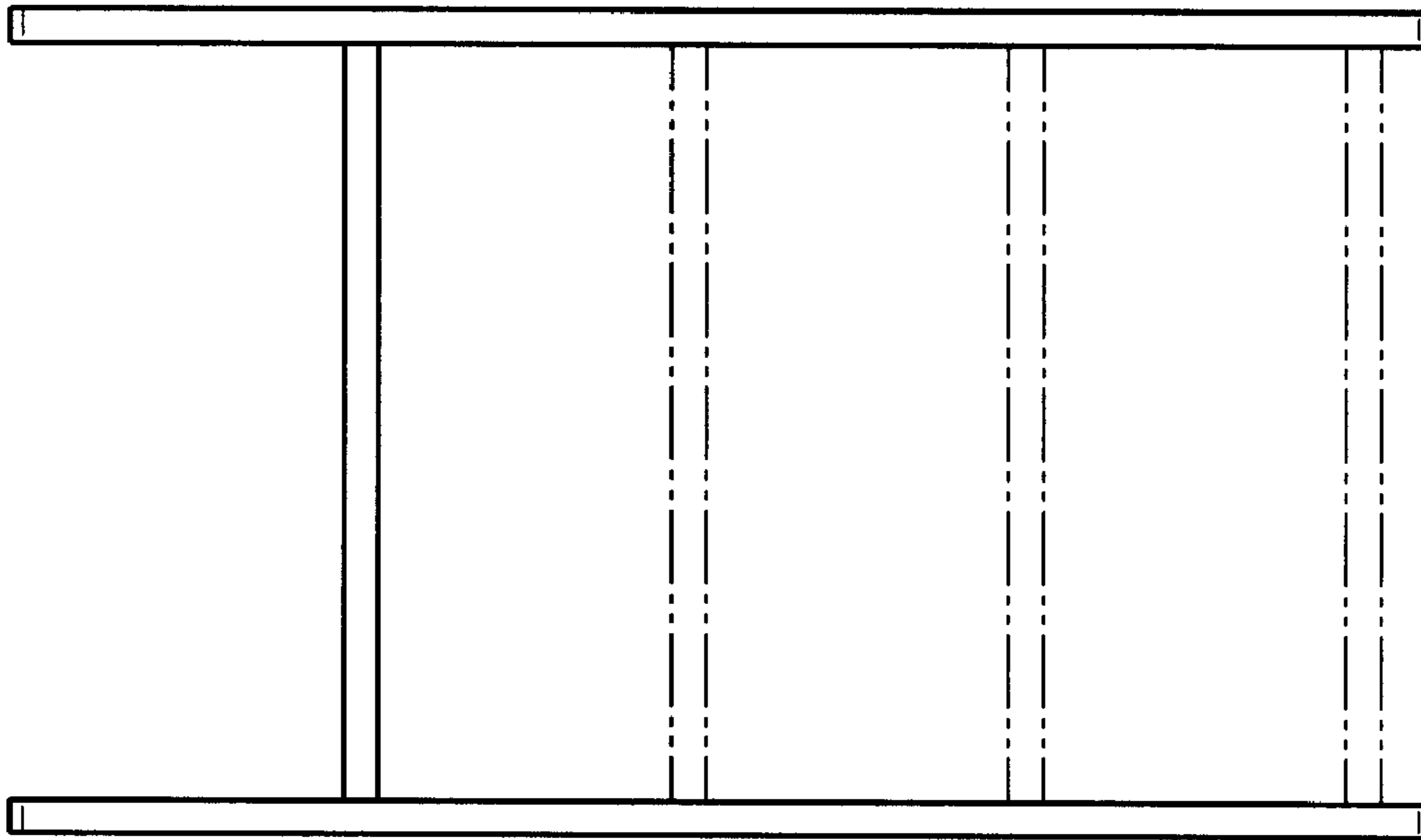
Fig. 6



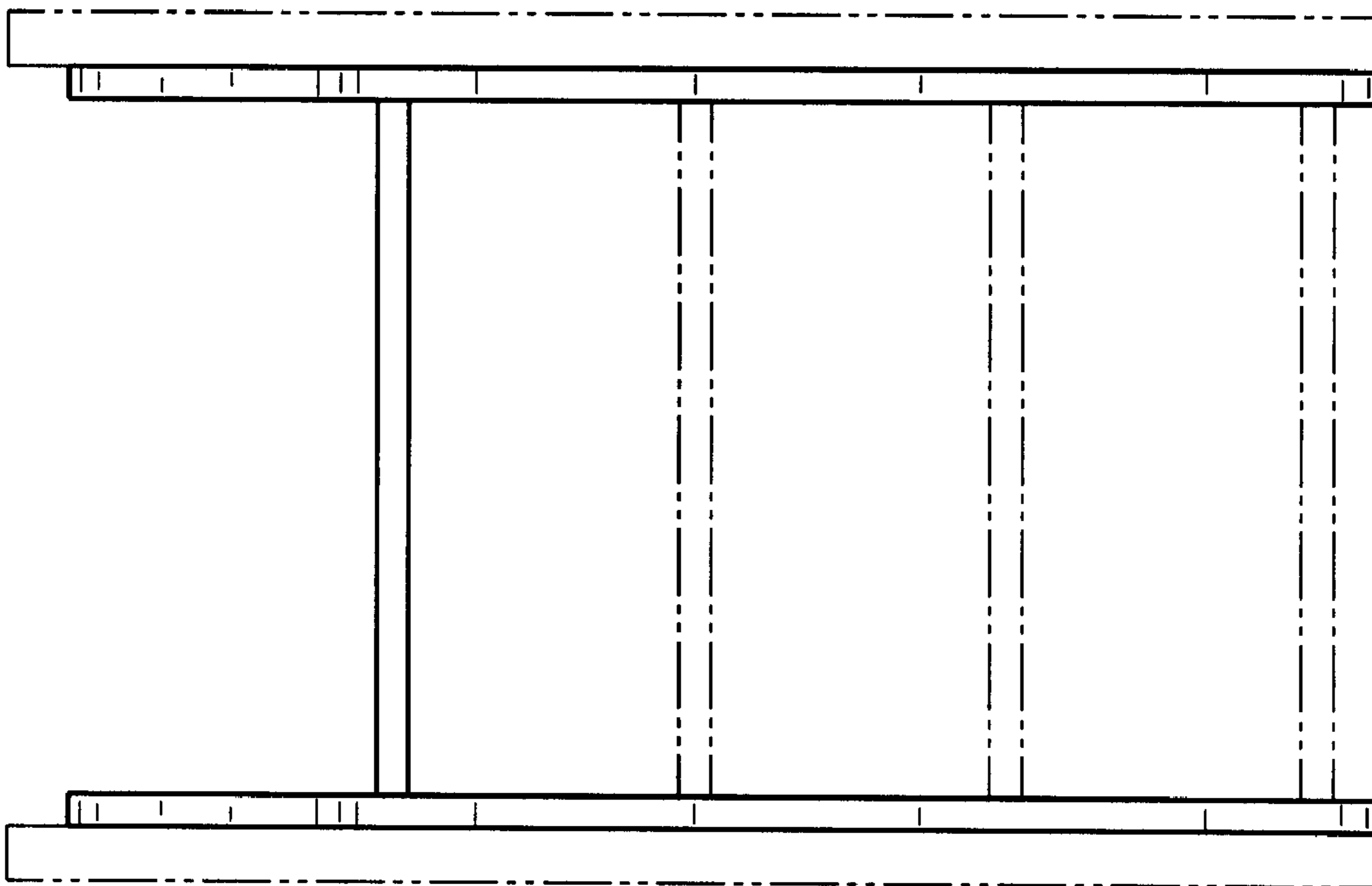
*Fig. 7*



*Fig. 8*

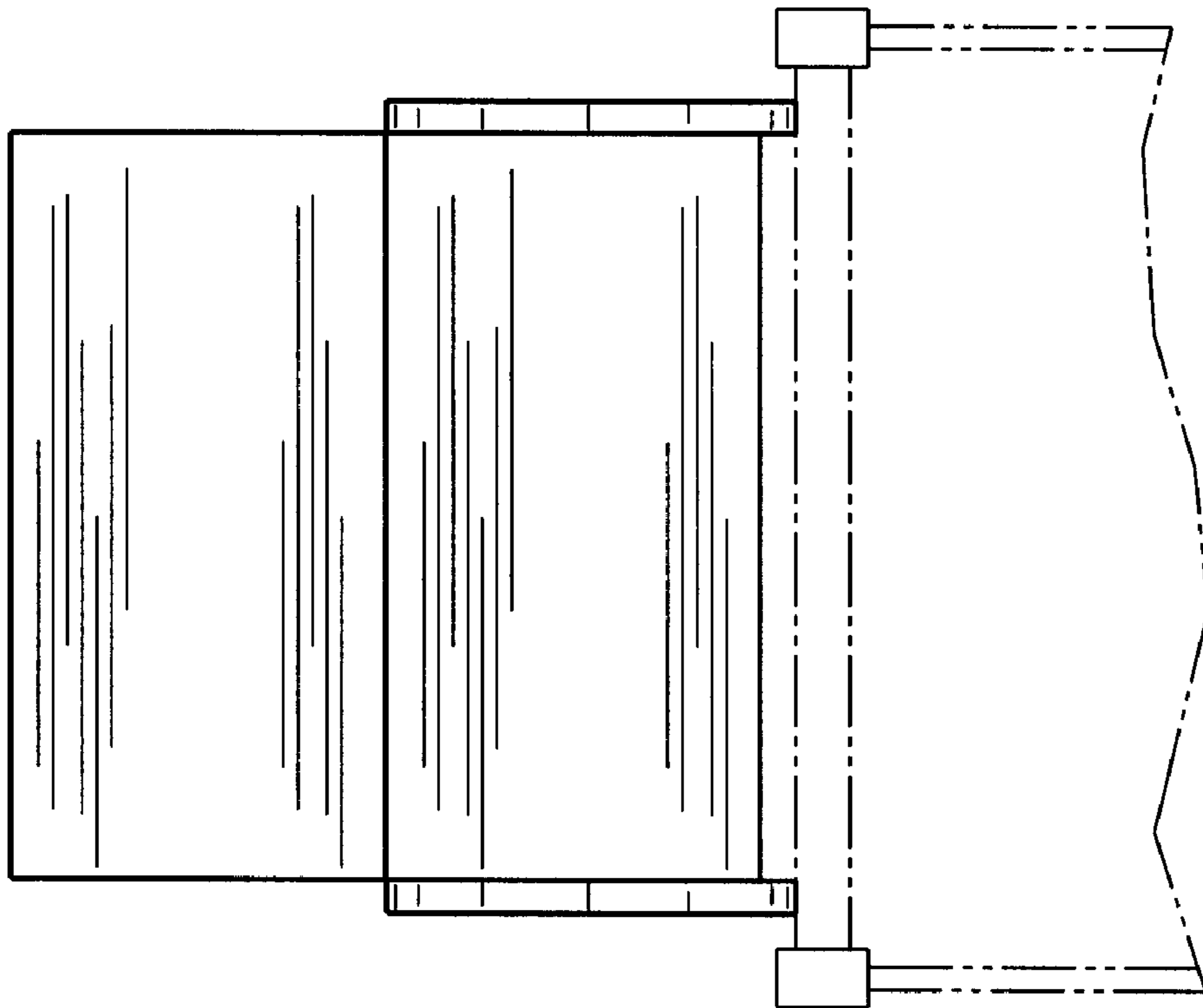


*Fig. 10*



*Fig. 9*





*Fig. 11*