

US00D519761S

(12) **United States Design Patent** (10) **Patent No.:** **US D519,761 S**
Muller (45) **Date of Patent:** **** May 2, 2006**

(54) **TABLE BASE**

(75) **Inventor:** **Carl A. Muller**, Huntington Beach, CA (US)

(73) **Assignee:** **Elite Manufacturing Corporation**, Santa Fe Springs, CA (US)

(**) **Term:** **14 Years**

(21) **Appl. No.:** **29/214,831**

(22) **Filed:** **Oct. 8, 2004**

(51) **LOC (8) Cl.** **06-06**

(52) **U.S. Cl.** **D6/495**

(58) **Field of Classification Search** D6/480-489, D6/495-499; 108/150, 153.1, 155, 156, 157.1, 108/161; 248/188, 188.1, 188.8, 188.9
See application file for complete search history.

(56) **References Cited**

U.S. PATENT DOCUMENTS

D87,537 S	*	8/1932	McGowen	D6/477
D90,709 S	*	9/1933	Goodman	D6/474
D239,487 S	*	4/1976	Hysten	D6/455
D450,487 S	*	11/2001	Sabo	D6/477
D453,642 S		2/2002	Mascheroni	D6/495

OTHER PUBLICATIONS

Ethan allen, Sep. 2002, p. 68 table at top right.*
Muller, "Seat Frame," pending U.S. Appl. No. 29/223,156, filed Feb. 8, 2005.

* cited by examiner

Primary Examiner—Janice E. Seeger

(74) *Attorney, Agent, or Firm*—Heslin Rothenberg Farley & Mesiti P.C.

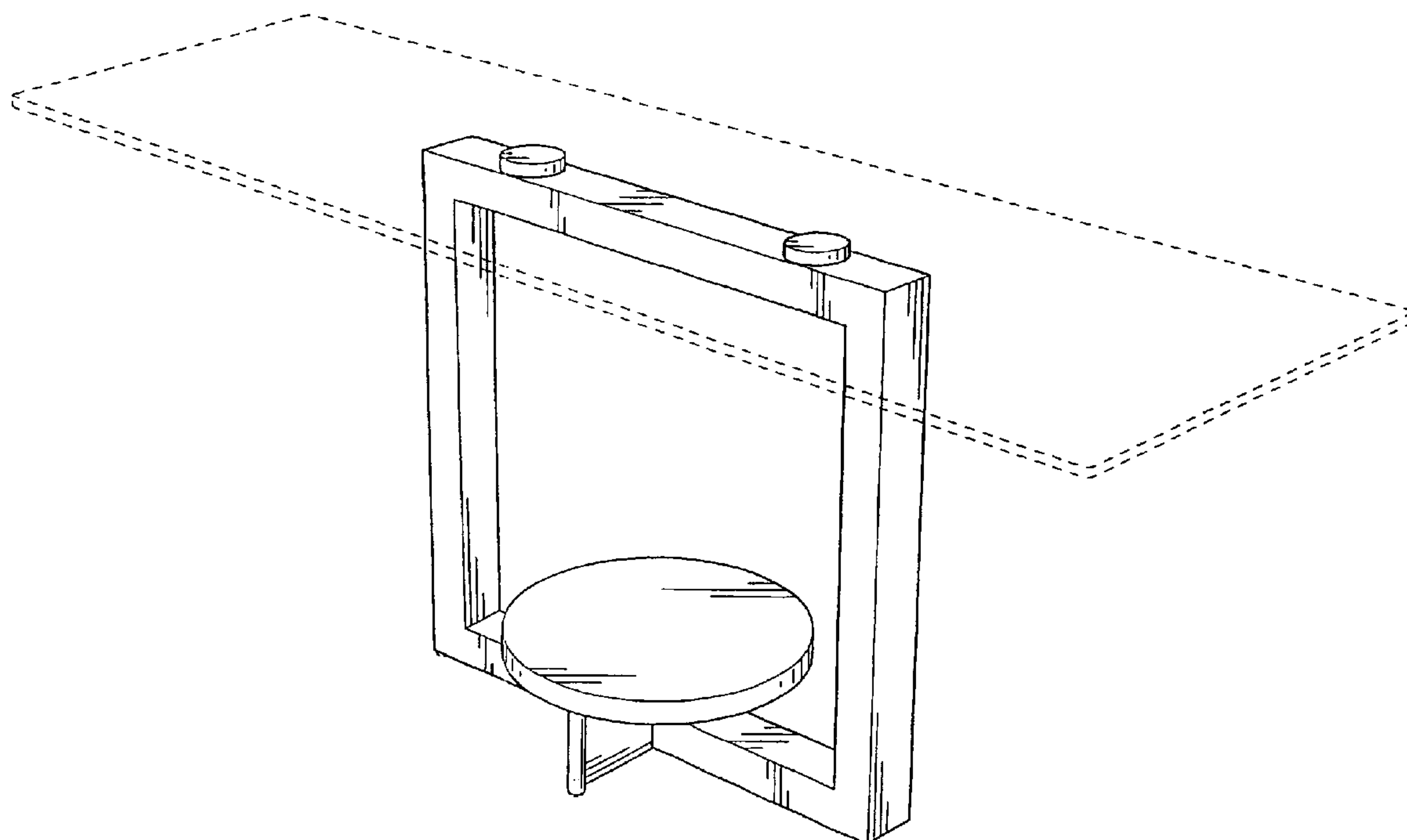
(57) **CLAIM**

The ornamental design for a table base, as shown and described.

DESCRIPTION

FIG. 1 is a perspective view of a table base shown with a console table top in accordance with the new design; FIG. 2 is a top view thereof; FIG. 3 is a front elevational view; a rear elevational view being a mirror image thereof; FIG. 4 is a right side elevational view; a left side elevational view being a mirror image thereof; FIG. 5 is a perspective view of an alternative embodiment of the table base shown with a square end table top in accordance with the new design; and, FIG. 6 is a perspective view of an alternative embodiment of the table base shown with a square coffee table top. The broken lines in the figures are for illustrative purposes only and form no part of the claimed invention.

1 Claim, 6 Drawing Sheets



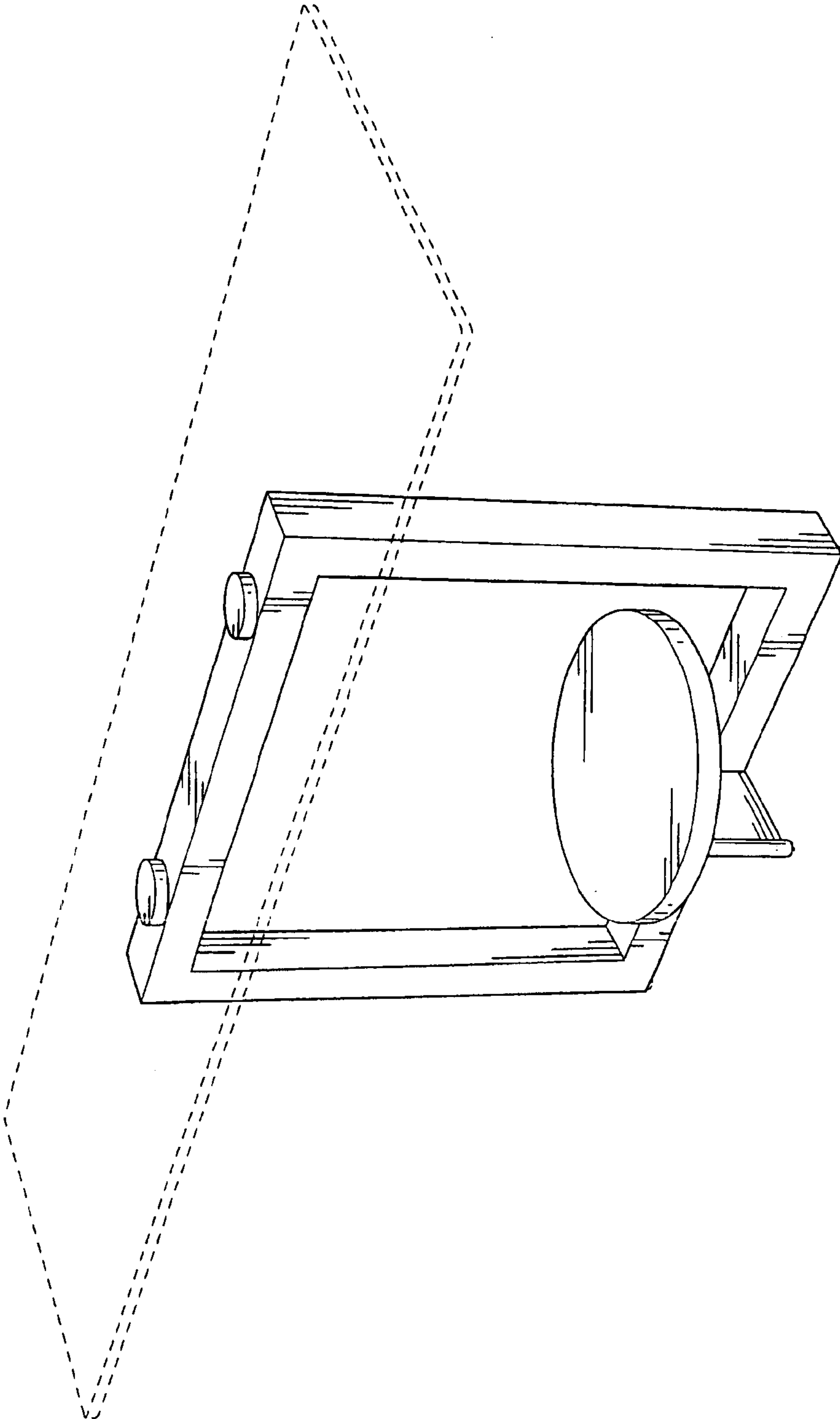


FIG. 1

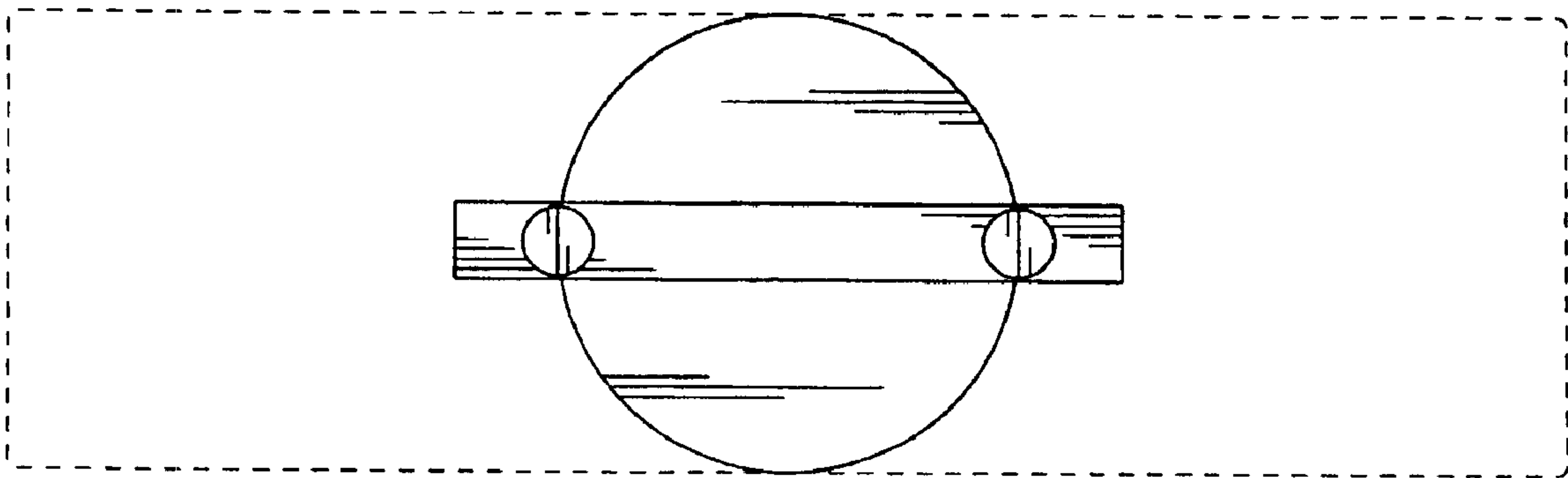


FIG. 2

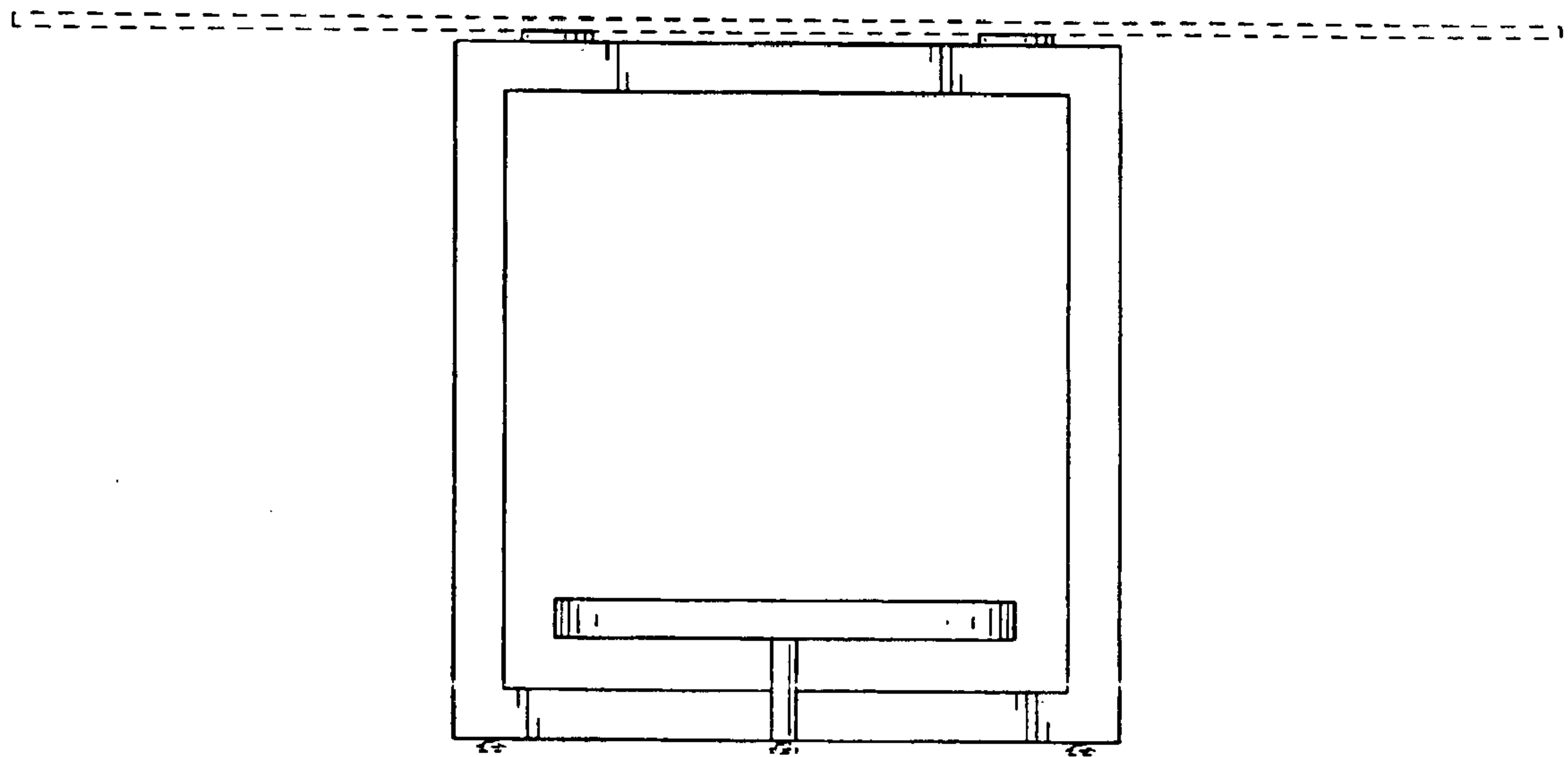


FIG. 3

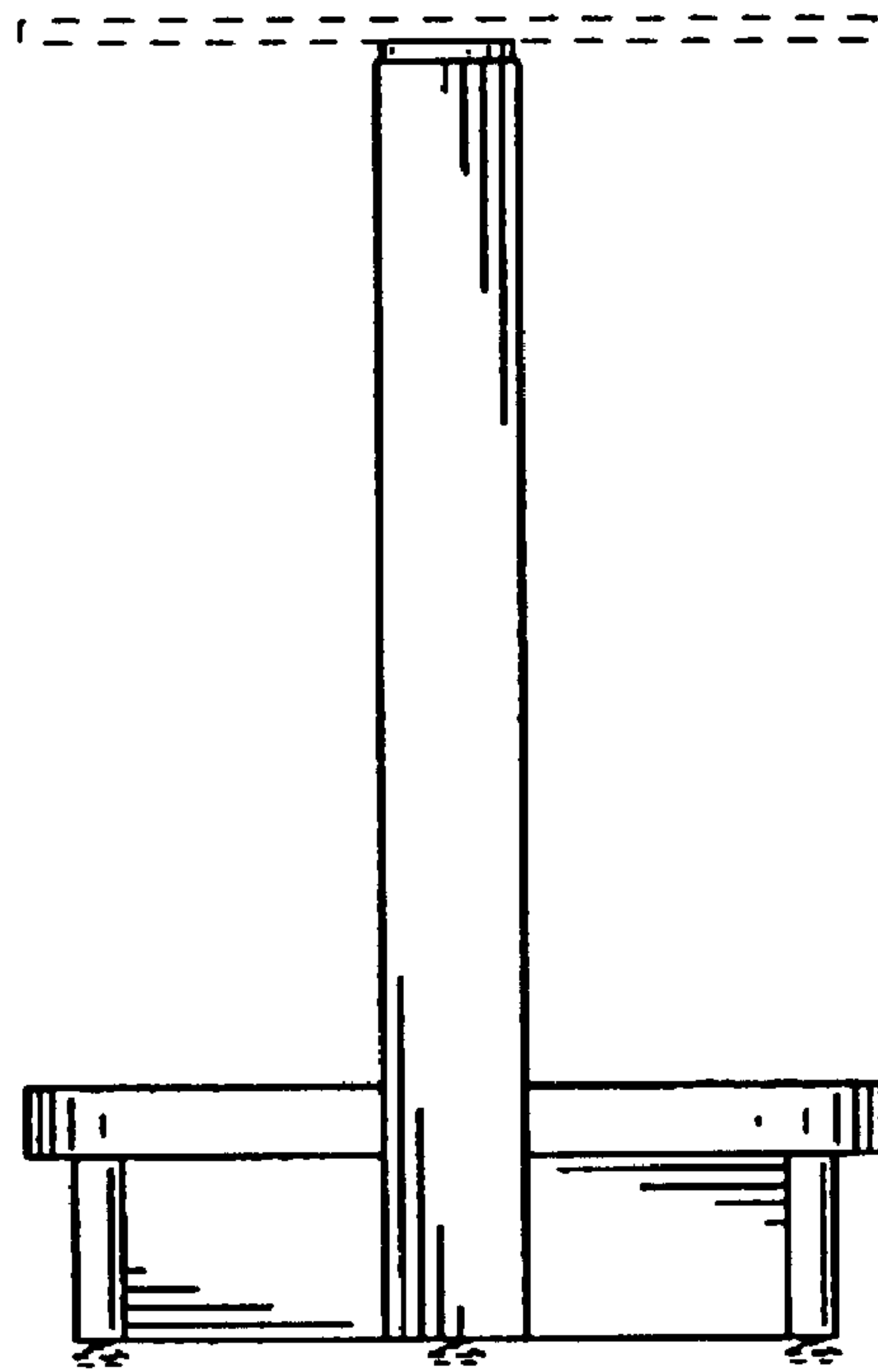


FIG. 4

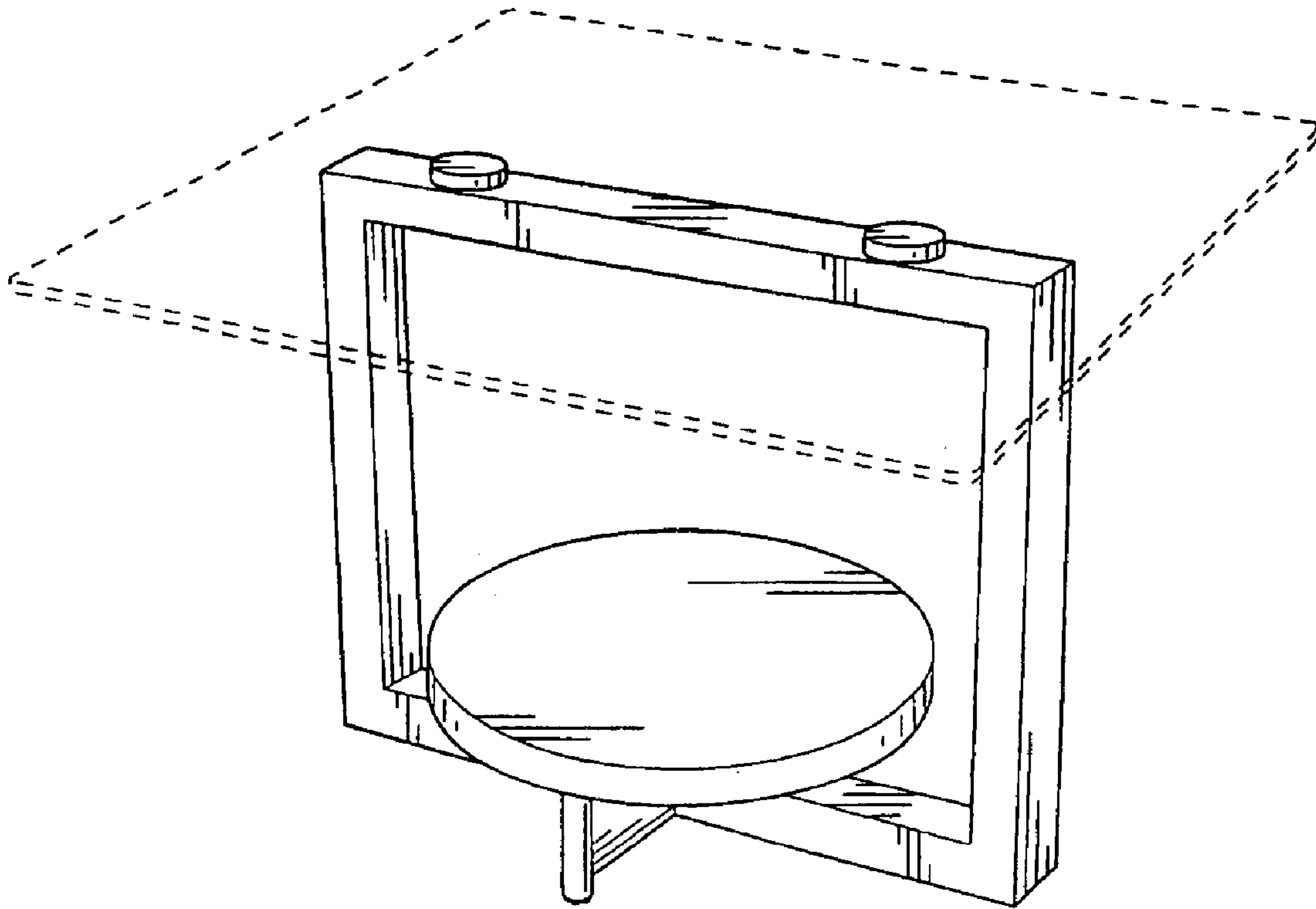


FIG. 5

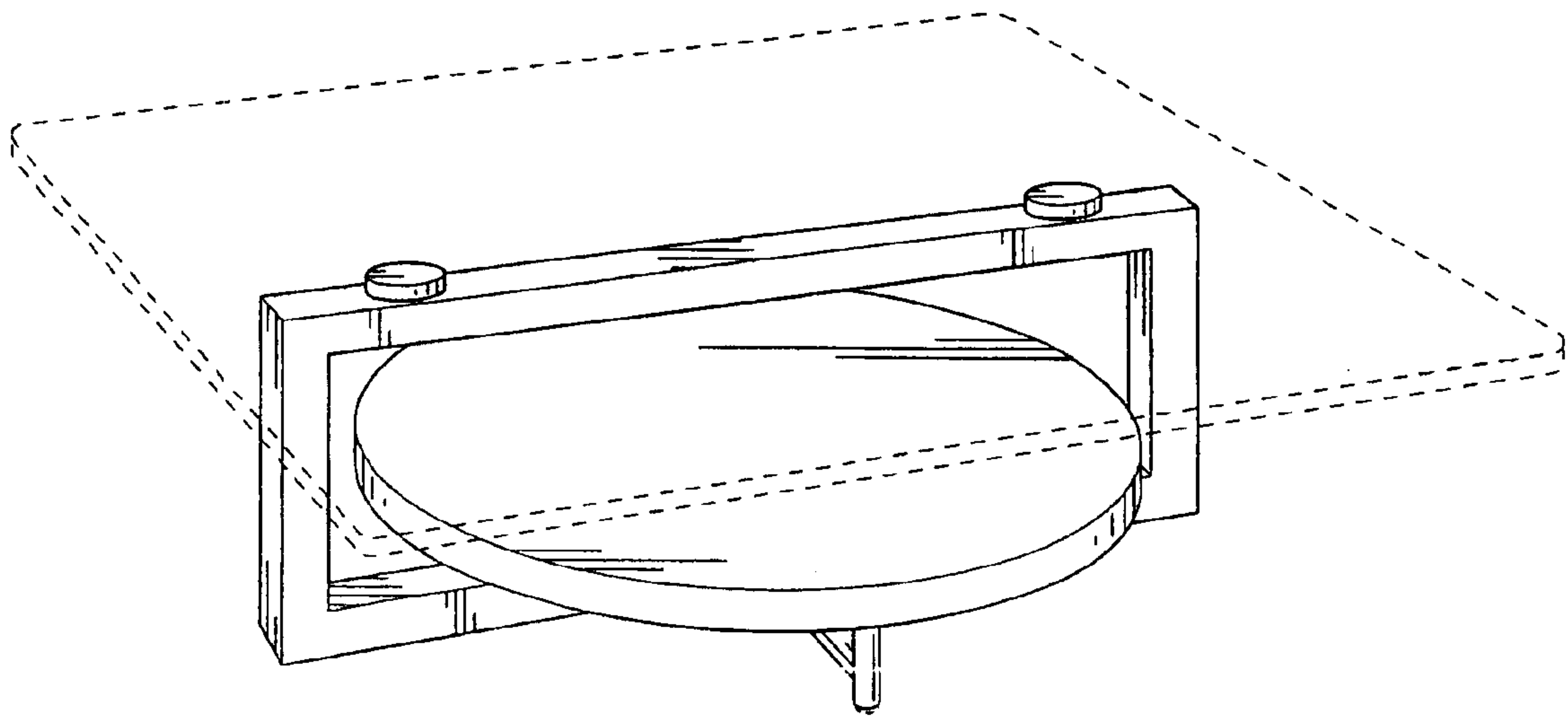


FIG. 6