



US00D519760S

(12) **United States Design Patent**
Risdon

(10) **Patent No.:** **US D519,760 S**

(45) **Date of Patent:** **** May 2, 2006**

(54) **PEDESTAL**

(75) Inventor: **Scott M. Risdon**, Greensboro, NC (US)

(73) Assignee: **Thomasville Furniture Industries, Inc.**, Thomasville, NC (US)

(**) Term: **14 Years**

(21) Appl. No.: **29/214,582**

(22) Filed: **Oct. 6, 2004**

(51) **LOC (8) Cl.** **06-06**

(52) **U.S. Cl.** **D6/495; D6/498**

(58) **Field of Classification Search** D6/480-489,
D6/495-499; 108/150, 153.1, 155, 156, 157.1,
108/161; 248/188, 188.1, 188.8, 188.9
See application file for complete search history.

(56) **References Cited**

U.S. PATENT DOCUMENTS

D441,225 S	*	5/2001	Vaaler	D6/486
D460,883 S		7/2002	Stanton	D6/486
D469,991 S	*	2/2003	Stanton	D6/486
D494,782 S	*	8/2004	Stanton	D6/486

OTHER PUBLICATIONS

Ethan Allen, Sep. 2002, p. 190, rond pedestal table at right and middle.*

Double Pedestal Dining Table, Villa Soleil Collection brochure, Thomasville Furniture Industries, Inc., p. 14, 2003.

Table, source and date unknown, available as of the filing date.

Regency Brass Inlaid and Brass-Mounted Rosewood Cente Table, Christie's London, Nov. 30, 2000.

* cited by examiner

Primary Examiner—Janice E. Seeger

(74) *Attorney, Agent, or Firm*—Womble Carlyle Sandridge & Rice, PLLC

(57) **CLAIM**

The ornamental design for a pedestal, as shown and described.

DESCRIPTION

FIG. 1 is a perspective view of a pedestal showing my new design;

FIG. 2 is a first side elevational view thereof;

FIG. 3 is a second side elevational view thereof;

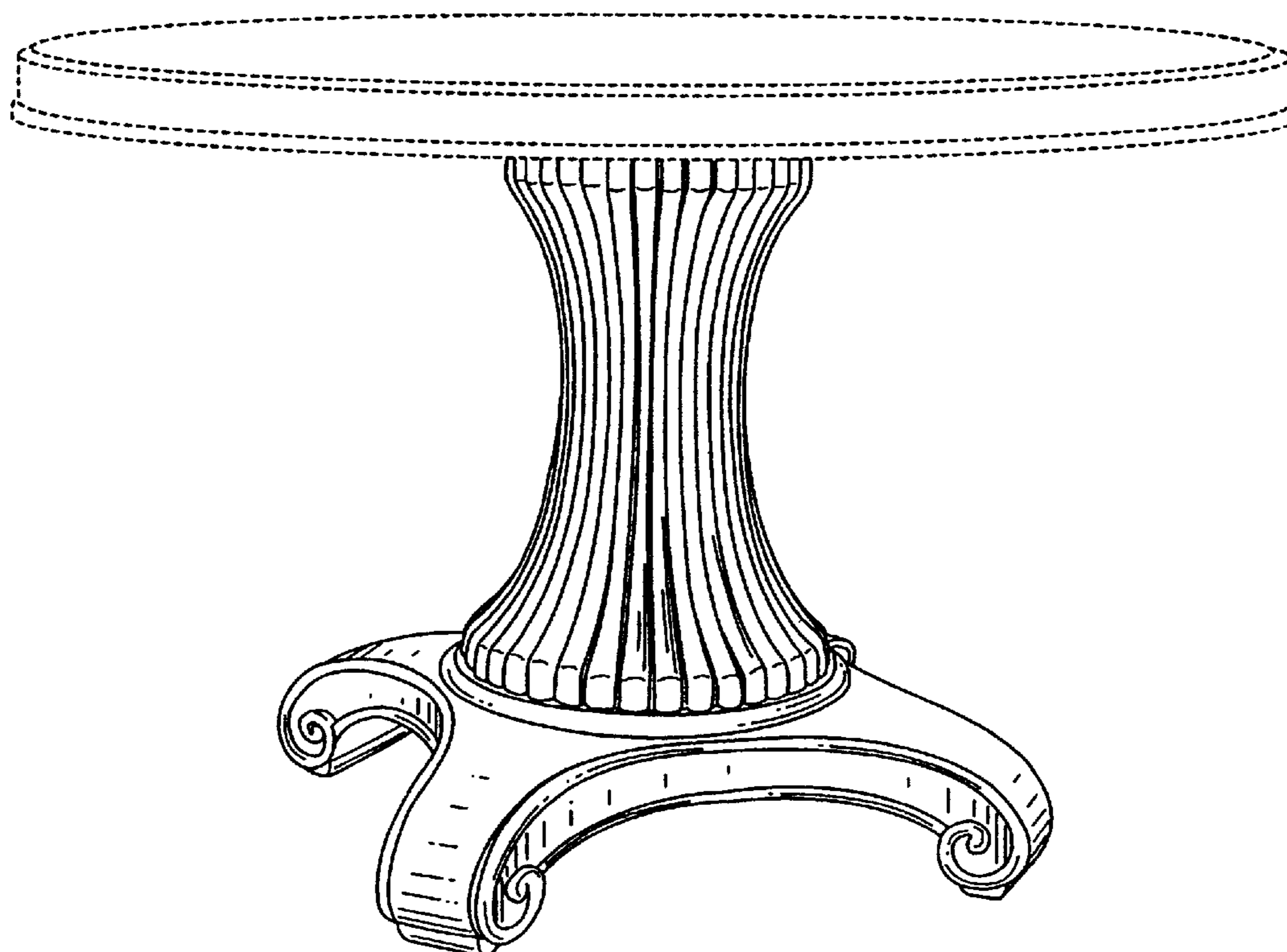
FIG. 4 is a perspective view of a second embodiment of a pedestal showing my new design with a shorter/wider base;

FIG. 5 is a first side elevational view thereof; and,

FIG. 6 is a second side elevational view thereof.

The views of the pedestal not shown form no part of the claimed design. The broken lines depicting the table top represent environmental elements only and form no part of the claimed design.

1 Claim, 6 Drawing Sheets



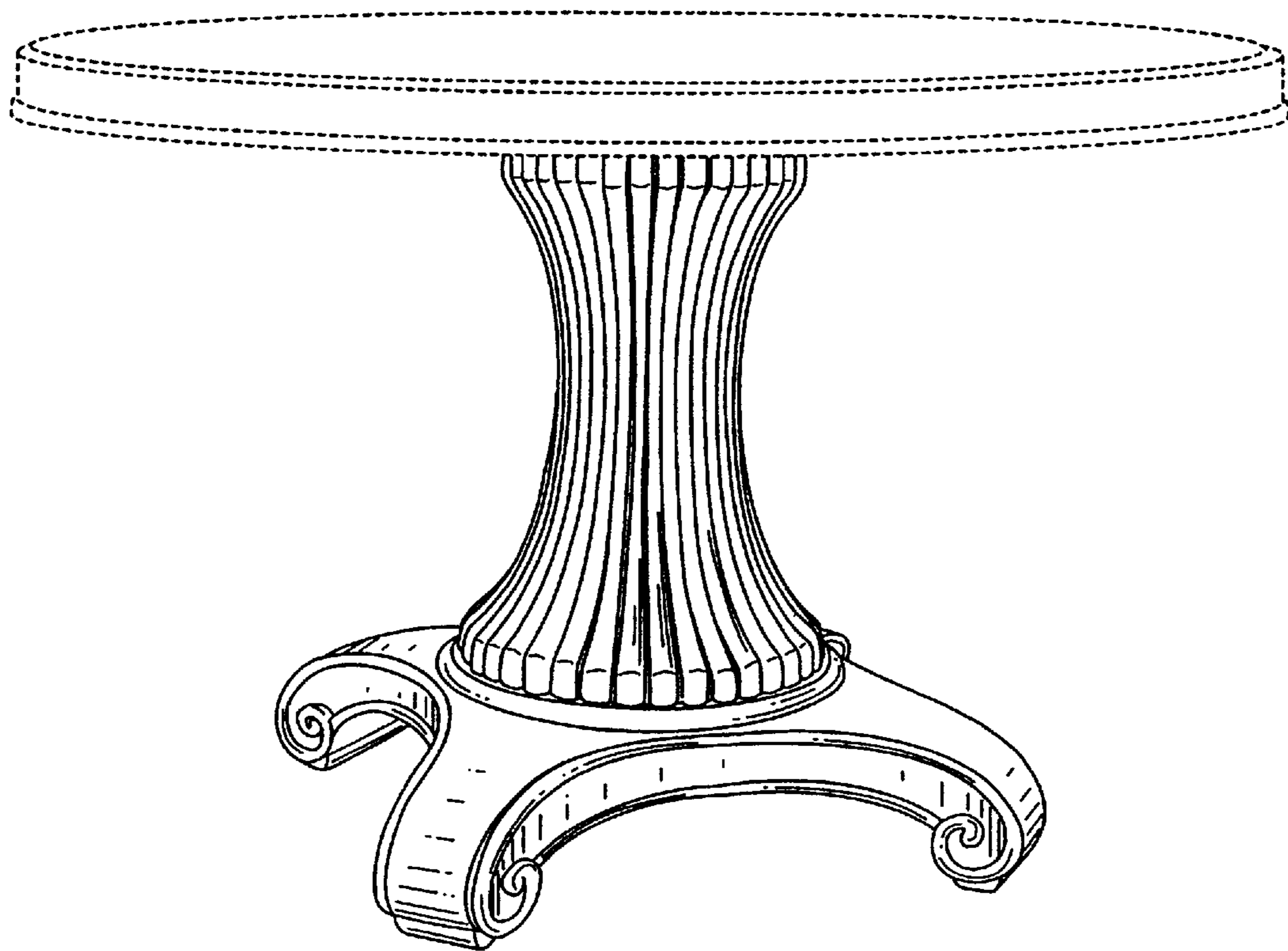


FIG. 1

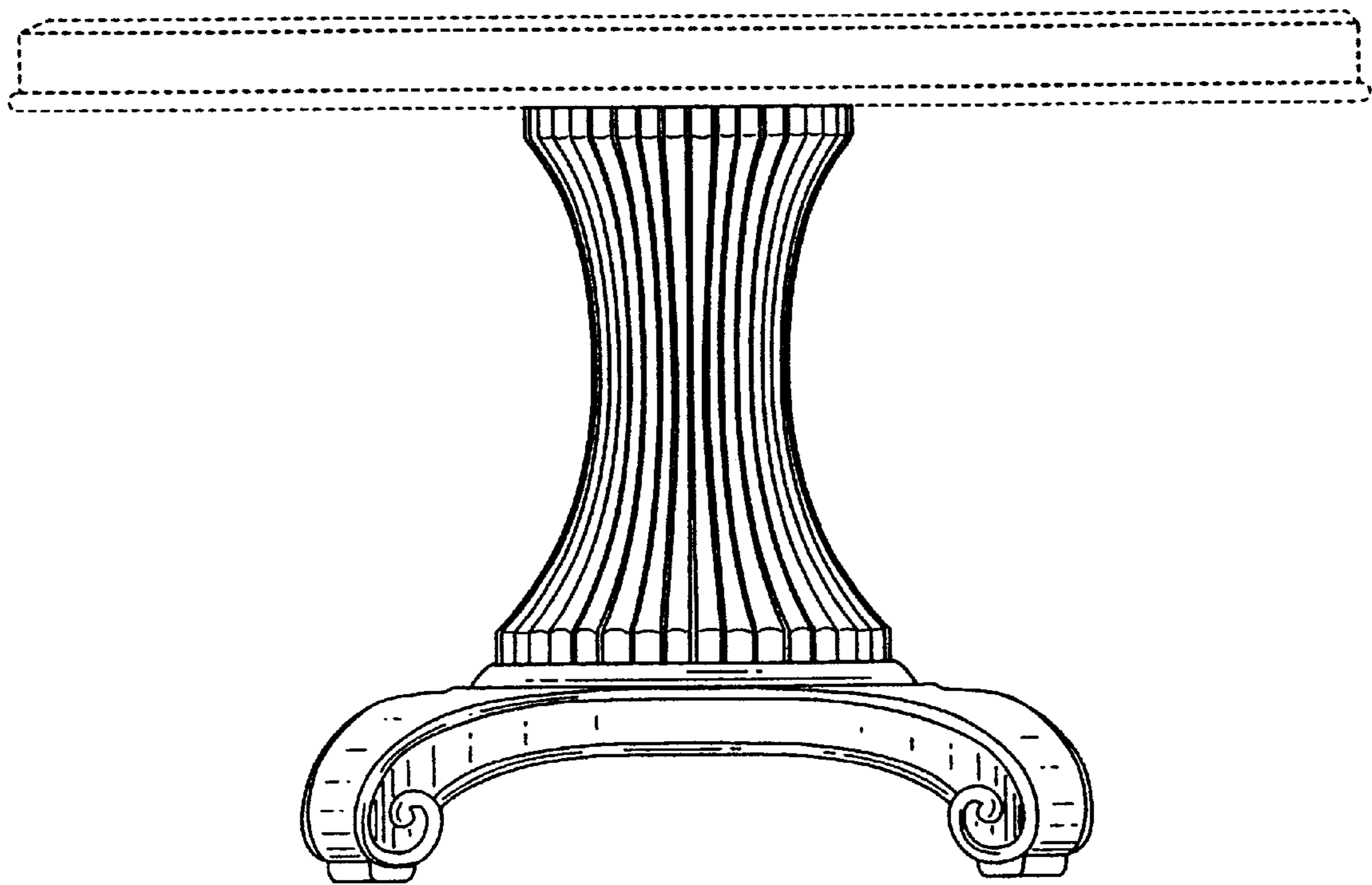


FIG. 2

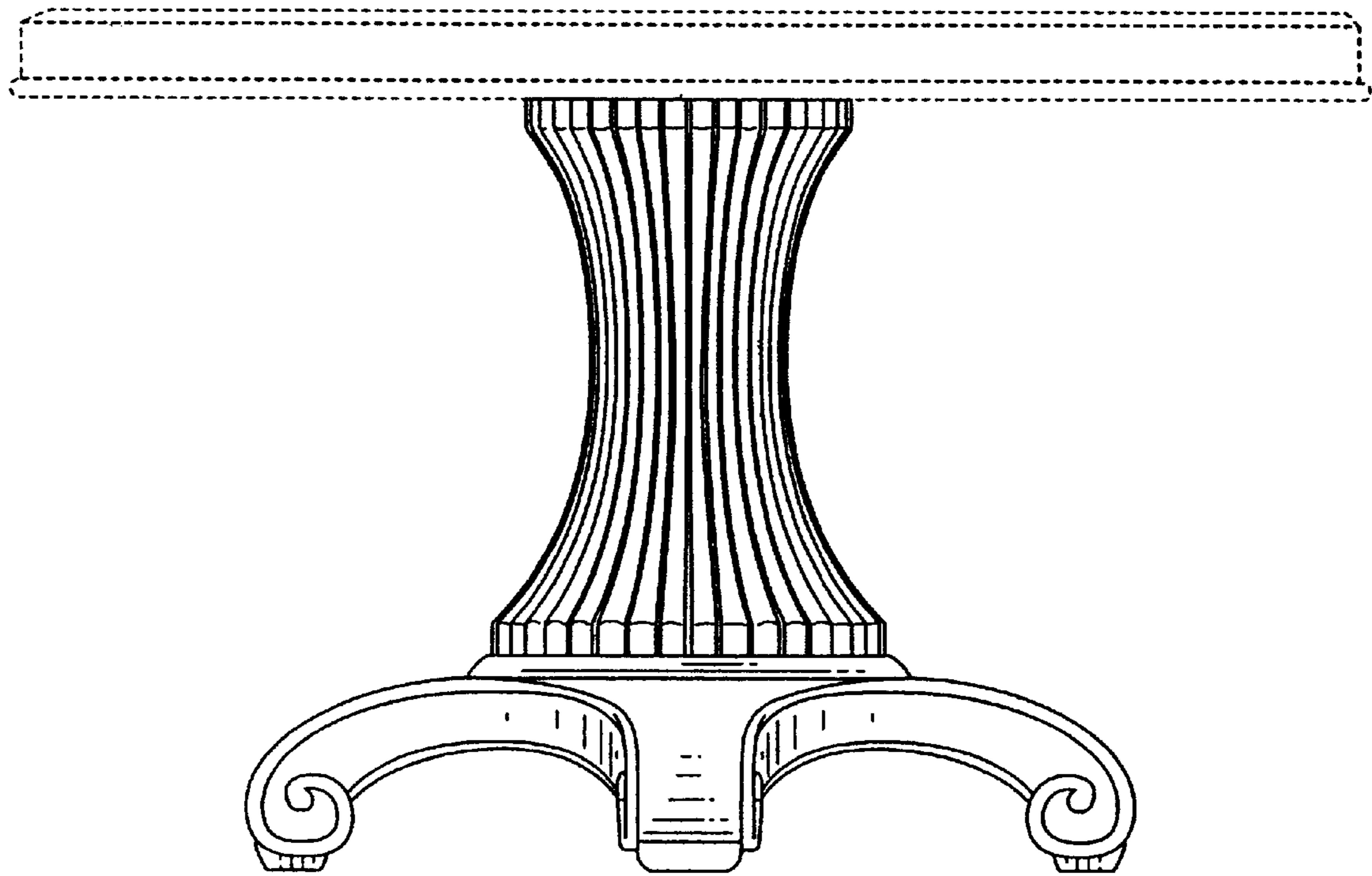


FIG. 3

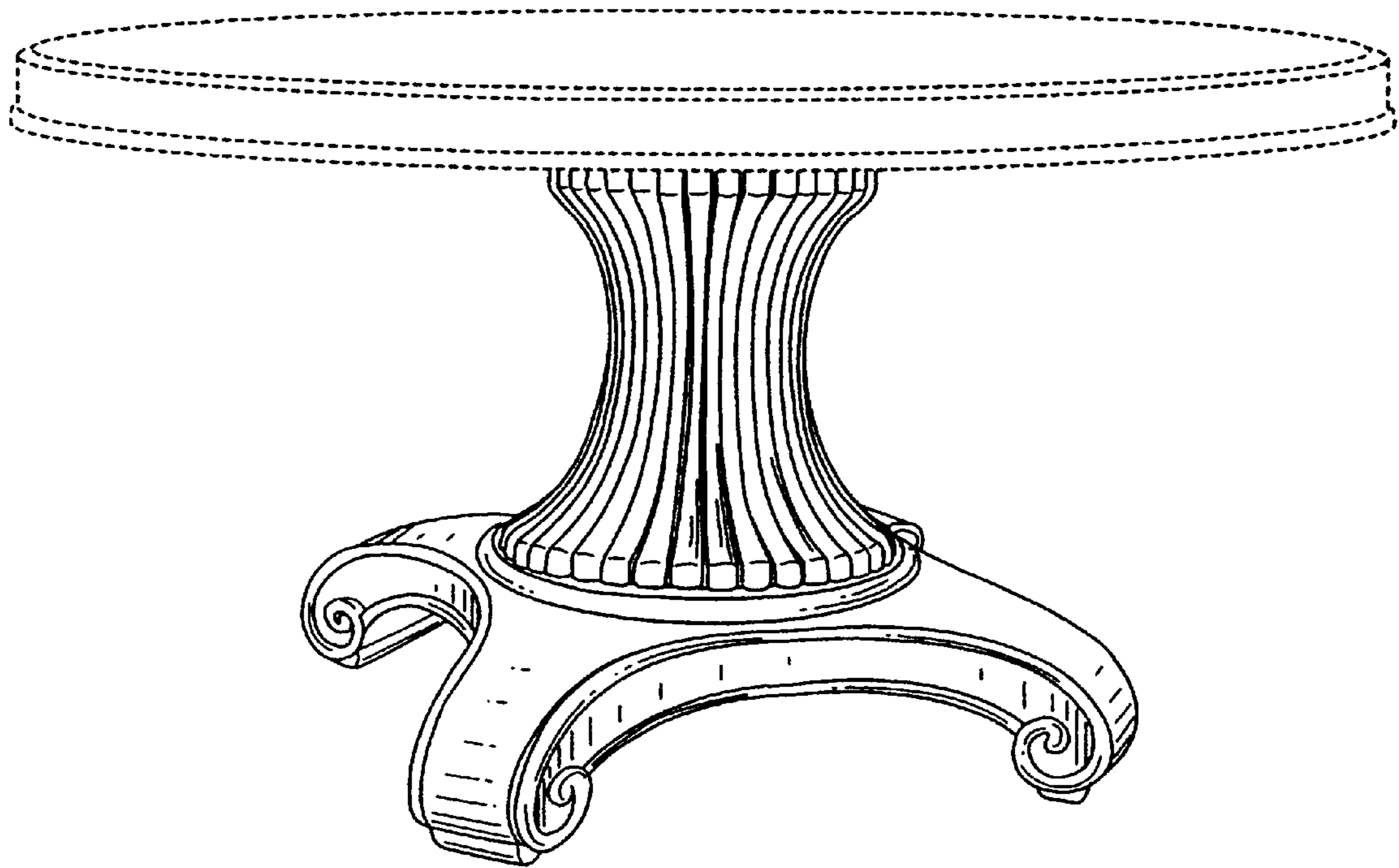


FIG. 4

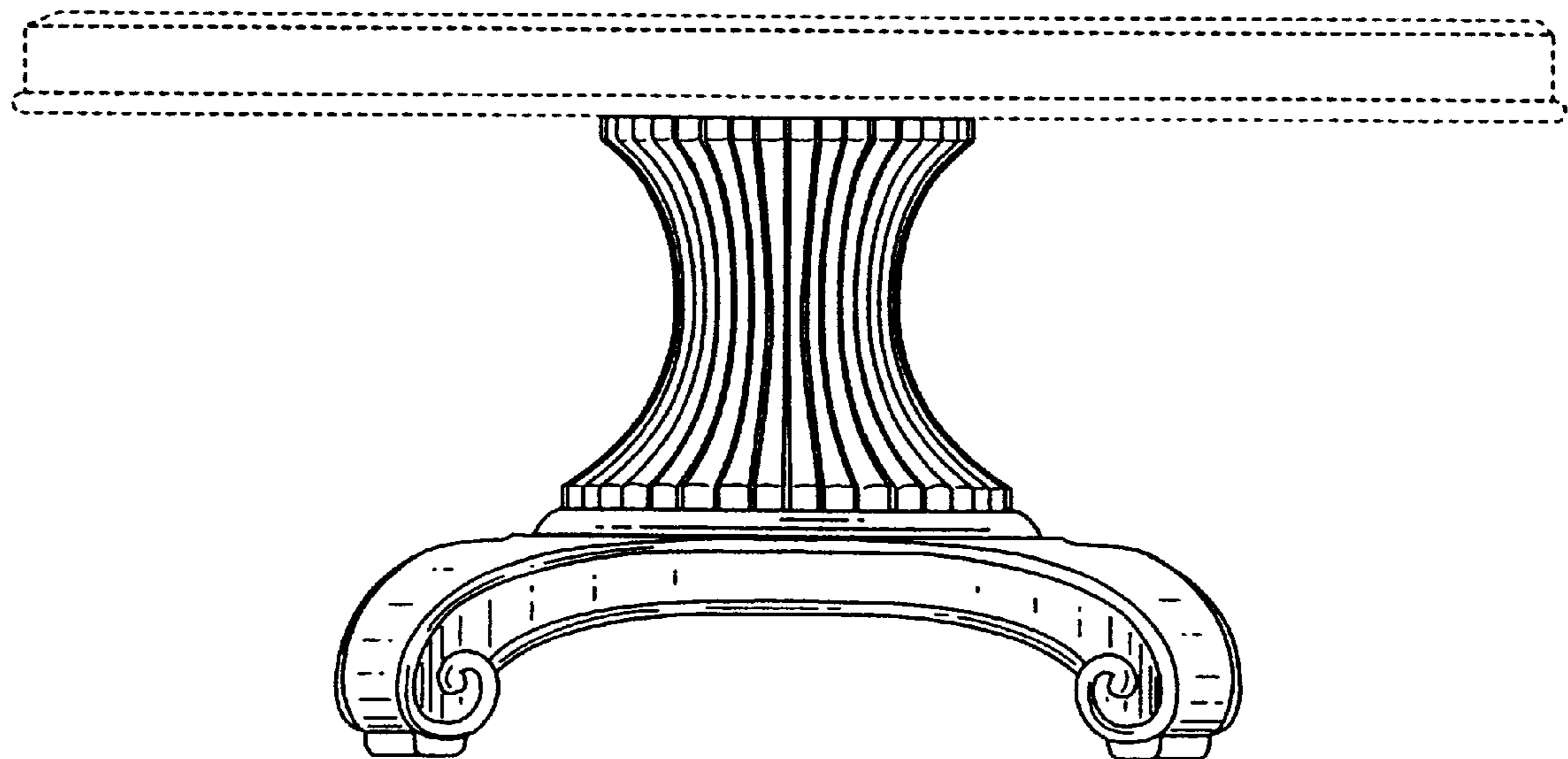


FIG. 5

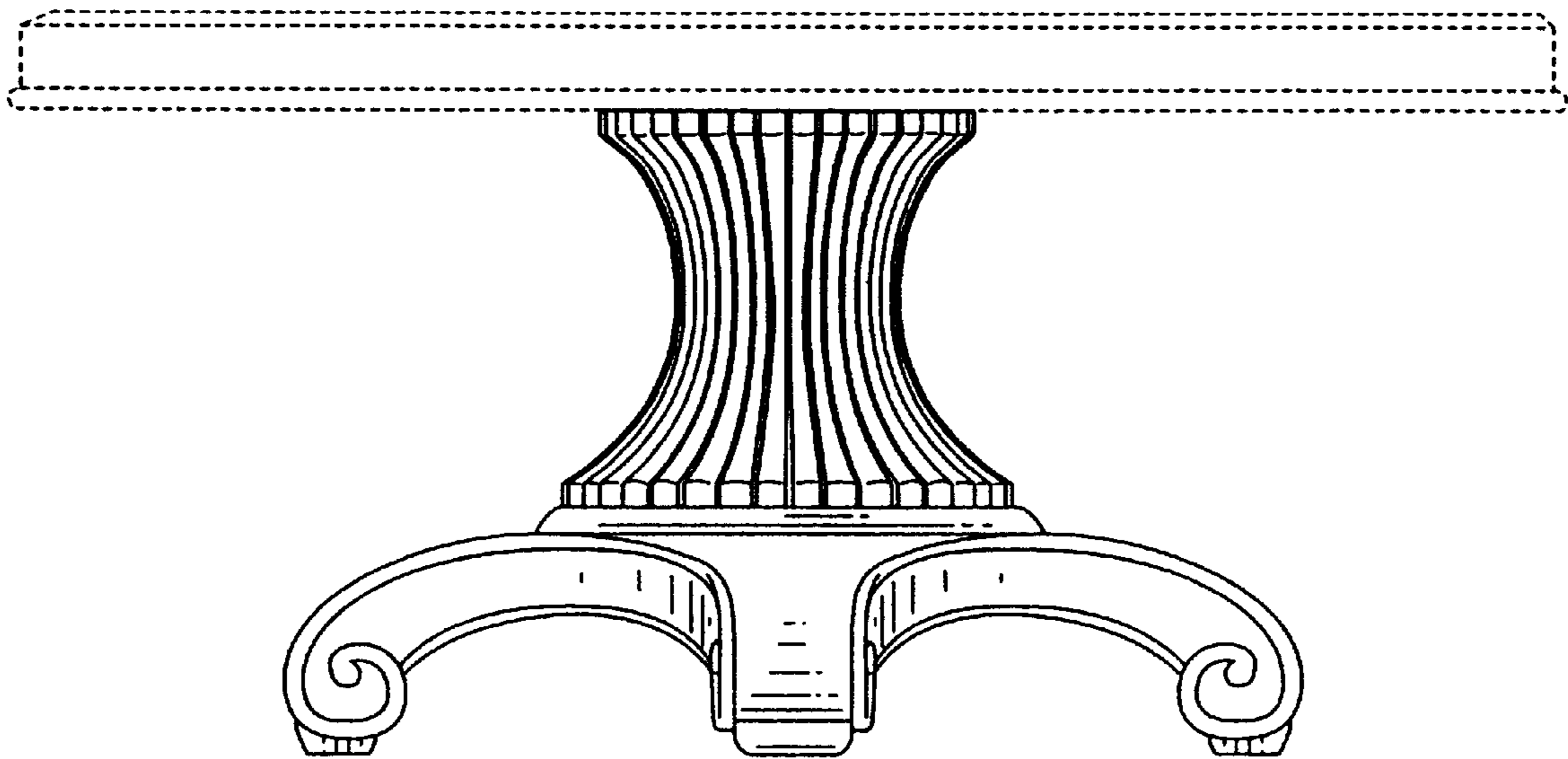


FIG. 6