



US00D519759S

(12) **United States Design Patent**
Keller

(10) **Patent No.:** **US D519,759 S**

(45) **Date of Patent:** **** May 2, 2006**

(54) **CONSOLE**

Sunset Console, Bogart Collection brochure, Thomasville Furniture Industries, Inc., p. 40, 2004.

(75) Inventor: **H. Thomas Keller**, High Point, NC (US)

* cited by examiner

(73) Assignee: **Thomasville Furniture Industries, Inc.**, Thomasville, NC (US)

Primary Examiner—Janice E. Seeger

(**) Term: **14 Years**

(74) *Attorney, Agent, or Firm*—Womble Carlyle Sandridge & Rice, PLLC

(21) Appl. No.: **29/216,042**

(22) Filed: **Oct. 28, 2004**

(57) **CLAIM**

(51) **LOC (8) Cl.** **06-06**

The ornamental design for a console, as shown and described.

(52) **U.S. Cl.** **D6/493; D6/495**

(58) **Field of Classification Search** D6/480–489, D6/495–499; 108/150, 153.1, 155, 156, 157.1, 108/161; 248/188, 188.1, 188.8, 188.9
See application file for complete search history.

DESCRIPTION

(56) **References Cited**

FIG. 1 is a perspective view of a console showing my new design;

U.S. PATENT DOCUMENTS

FIG. 2 is a front elevational view thereof;

| | | | | | |
|------------|---|--------|------------|-------|--------|
| D240,690 S | * | 7/1976 | Zagaroll | | D6/484 |
| D257,750 S | * | 1/1981 | Beall, Jr. | | D6/484 |
| D263,266 S | * | 3/1982 | Brown | | D6/483 |
| D371,920 S | * | 7/1996 | Hutton | | D6/483 |
| D470,346 S | | 2/2003 | Stanton | | D6/483 |

FIG. 3 is an side elevational view, the opposite side being a mirror image thereof; and,

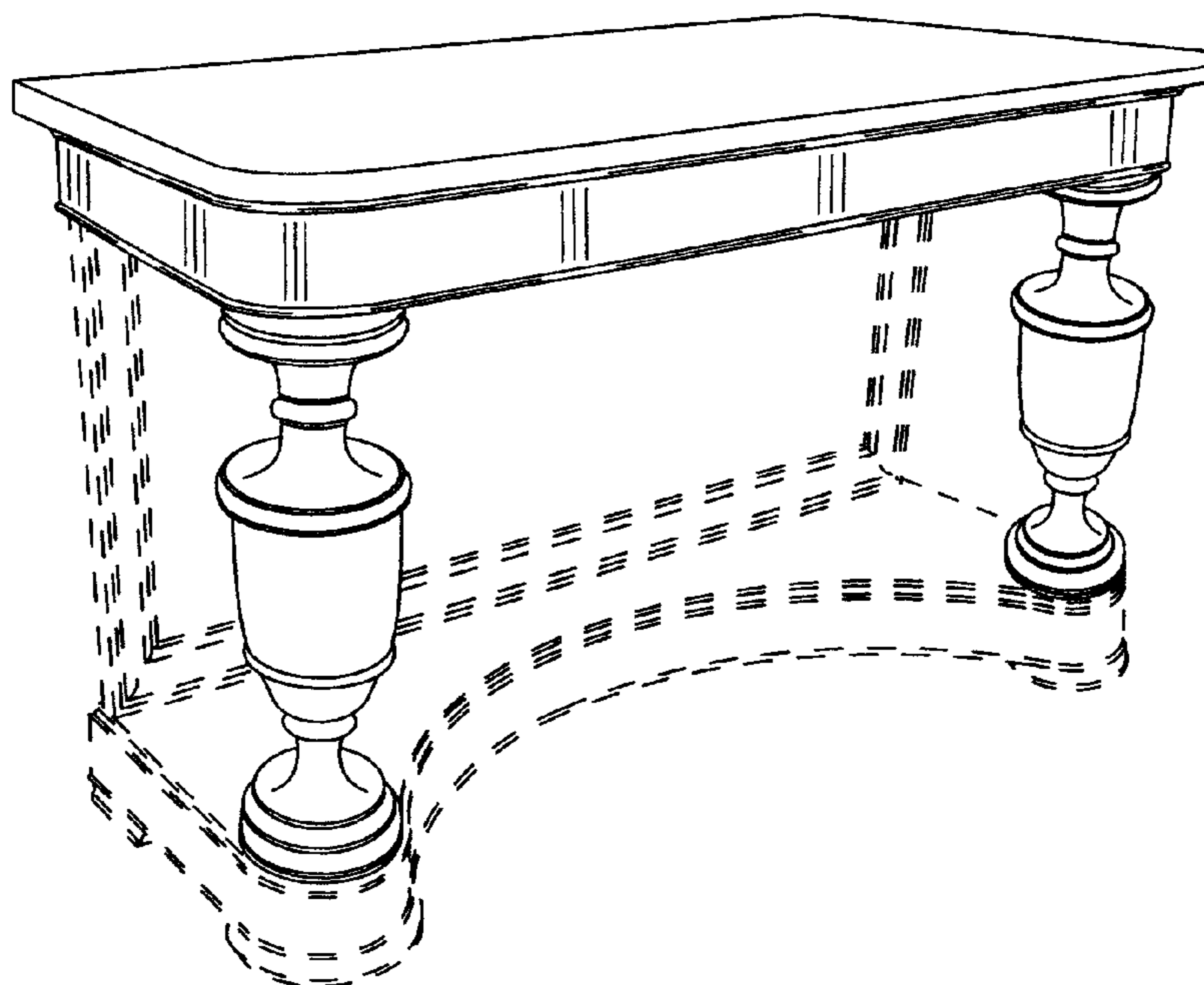
OTHER PUBLICATIONS

English Furniture from Gothic to Sheraton, by H. Cescinsky, c1968, p. 98, buffet at right.*
English Furniture from Gothic to Sheraton, by H. Cescinsky, c1968, p. 93, table at top.*

FIG. 4 is a top view thereof.

The views of the console not shown form no part of the claimed design. The broken lines depicting the back and base represent environmental elements only and form no part of the claimed design.

1 Claim, 2 Drawing Sheets



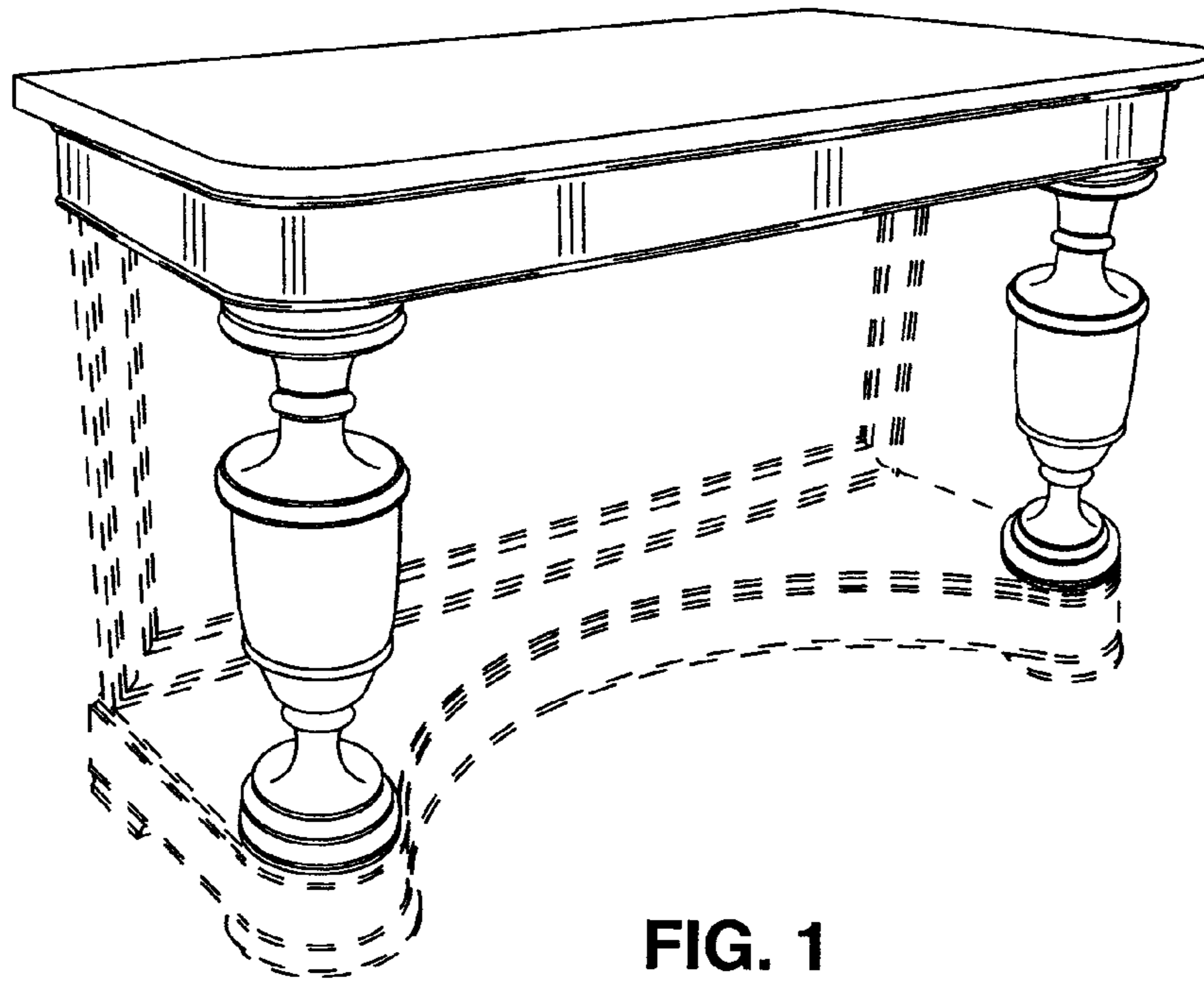


FIG. 1

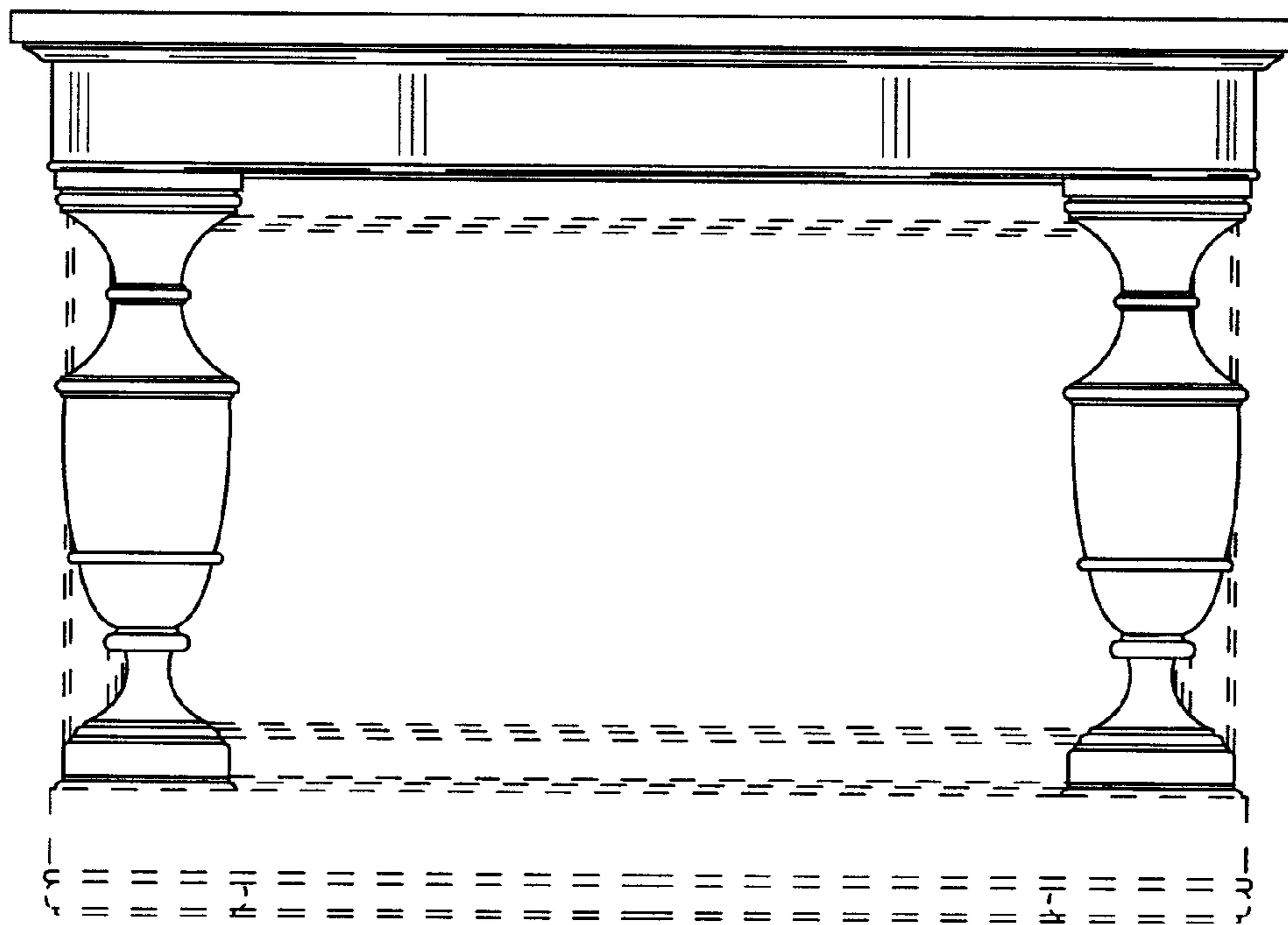


FIG. 2

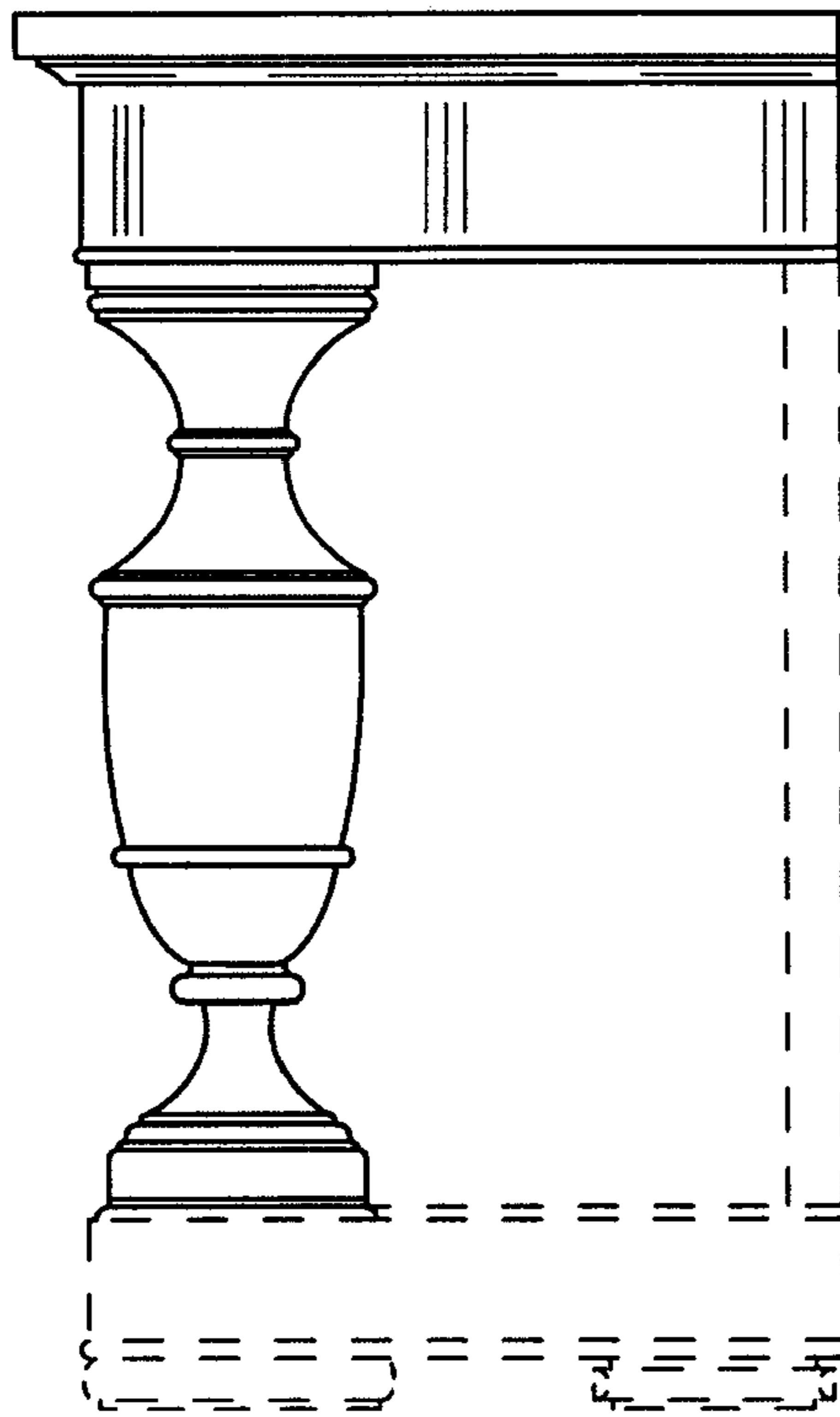


FIG. 3

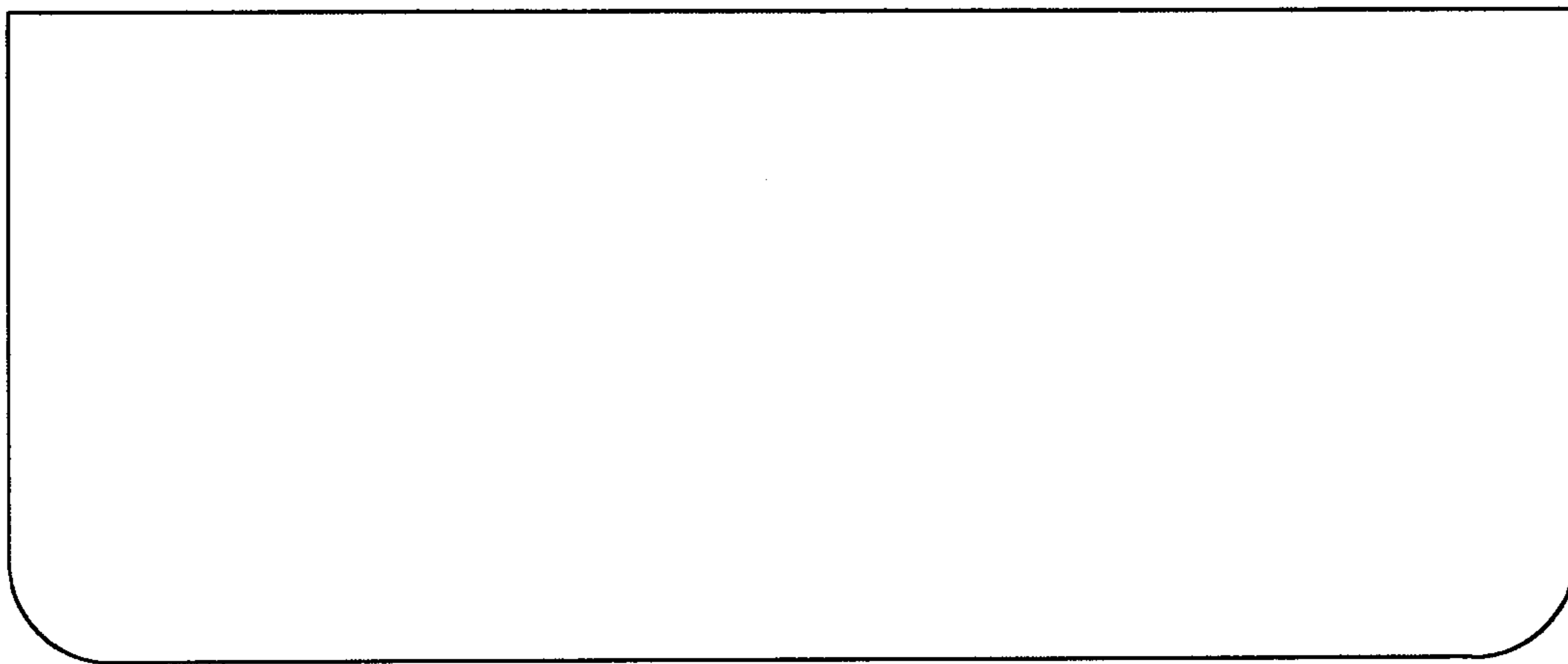


FIG. 4