



US00D519757S

(12) **United States Design Patent**  
**Portnoy**

(10) **Patent No.:** **US D519,757 S**

(45) **Date of Patent:** **\*\* May 2, 2006**

- (54) **AUDIO VIDEO SHELVING UNIT**
- (75) Inventor: **Ben Portnoy**, Morton, PA (US)
- (73) Assignee: **Bell'O International, L.L.C.**,  
Morganville, NJ (US)
- (\*\*) Term: **14 Years**

D483,966 S	12/2003	Forlenza et al.	
D485,539 S	1/2004	Goto et al.	
D491,753 S	* 6/2004	deCarolis .....	D6/479
D495,164 S	* 8/2004	Chang .....	D6/479
D496,806 S	* 10/2004	Chang .....	D6/477
D496,807 S	* 10/2004	deCarolis .....	D6/477
D497,061 S	* 10/2004	Decarolis .....	D6/479
D505,573 S	* 5/2005	Malizia .....	D6/474
D507,433 S	* 7/2005	Portnoy .....	D6/477

(21) Appl. No.: **29/220,609**

(22) Filed: **Jan. 3, 2005**

(51) **LOC (8) Cl.** ..... **06-04**

(52) **U.S. Cl.** ..... **D6/479**

(58) **Field of Classification Search** ..... D6/460,  
D6/461, 468, 474, 477-479; 312/7.2, 9.1;  
108/59, 91, 92, 96; 211/40, 41.12, 42, 49.1,  
211/50, 85.2, 90.04, 187, 190, 119.003, 134.153,  
211/87.01, 71.01

See application file for complete search history.

**OTHER PUBLICATIONS**

Bell'O 2002 International Catalog, selected pages.

\* cited by examiner

*Primary Examiner*—Cathron C. Brooks

(74) *Attorney, Agent, or Firm*—Lerner, David, Littenberg,  
Krumholz & Metlik, LLP

(57) **CLAIM**

The ornamental design for audio video shelving unit, as shown and described.

(56) **References Cited**

**U.S. PATENT DOCUMENTS**

D236,054 S	7/1975	Ginat
D371,259 S	7/1996	Herbst
5,584,595 A	12/1996	Gantitano et al.
D378,175 S	2/1997	Hamami
D402,486 S	12/1998	Wada et al.
D405,630 S	2/1999	Wohlford
D441,217 S	5/2001	Pepin et al.
D451,307 S	12/2001	Dong
D467,099 S	12/2002	Antonioni
D472,073 S	3/2003	de Carolis
D472,074 S	3/2003	de Carolis
D472,075 S	3/2003	de Carolis
D477,159 S	7/2003	Niitsu
D477,292 S	7/2003	Inoue et al.

**DESCRIPTION**

FIG. 1 is a perspective view of a first embodiment of the subject audio video shelving unit;  
FIG. 2 is a front elevation view thereof;  
FIG. 3 is a rear elevation view thereof;  
FIG. 4 is a right side view thereof (the left side being a mirror image of the right side view);  
FIG. 5 is a top plan view thereof;  
FIG. 6 is a perspective view of a second embodiment of the subject audio video system; and,  
FIG. 7 is a top plan view of the embodiment shown in FIG. 6 (all other views of the second embodiment having the same appearance as FIGS. 2, 3 and 4).

**1 Claim, 7 Drawing Sheets**

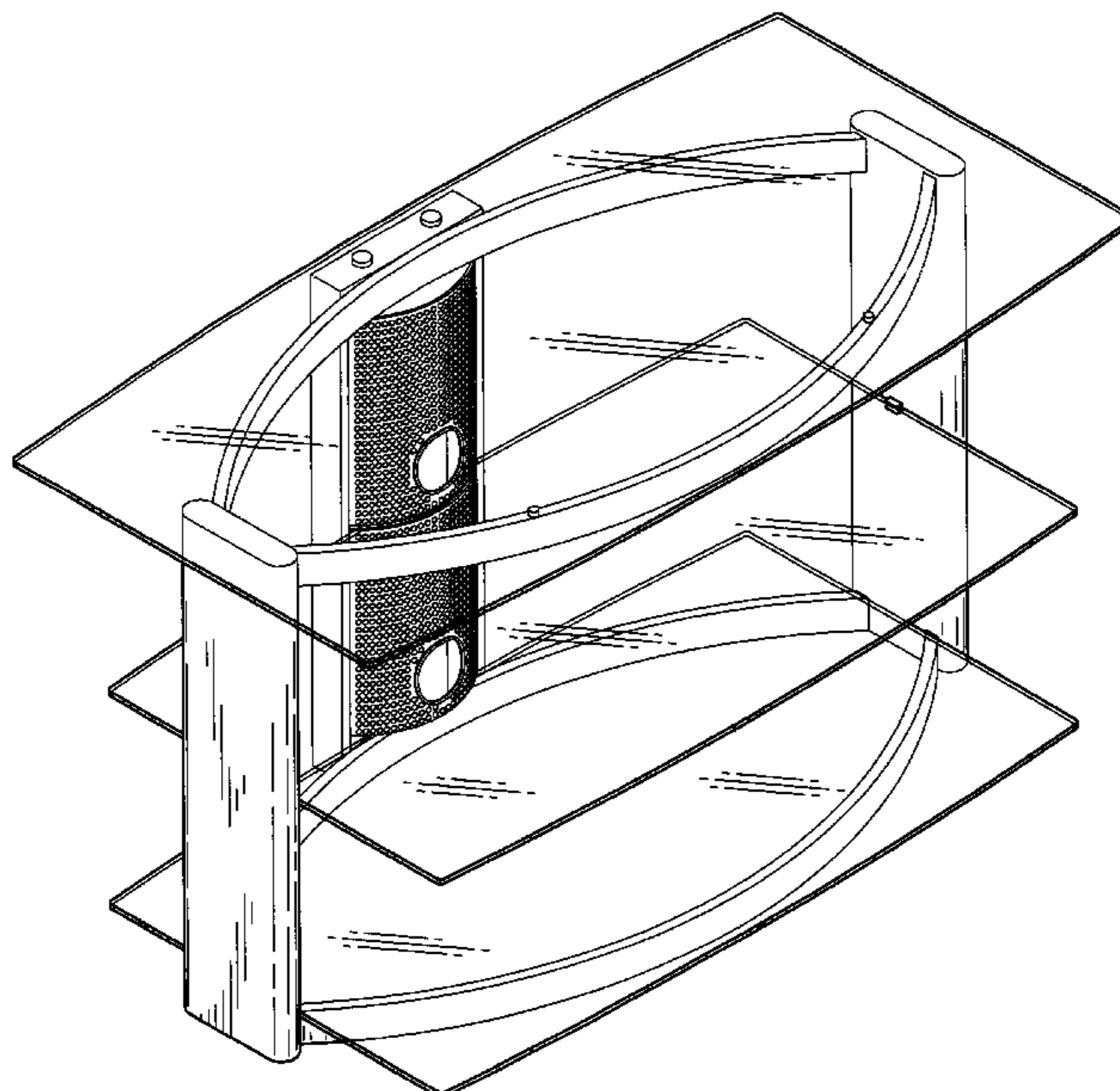


FIG. 1

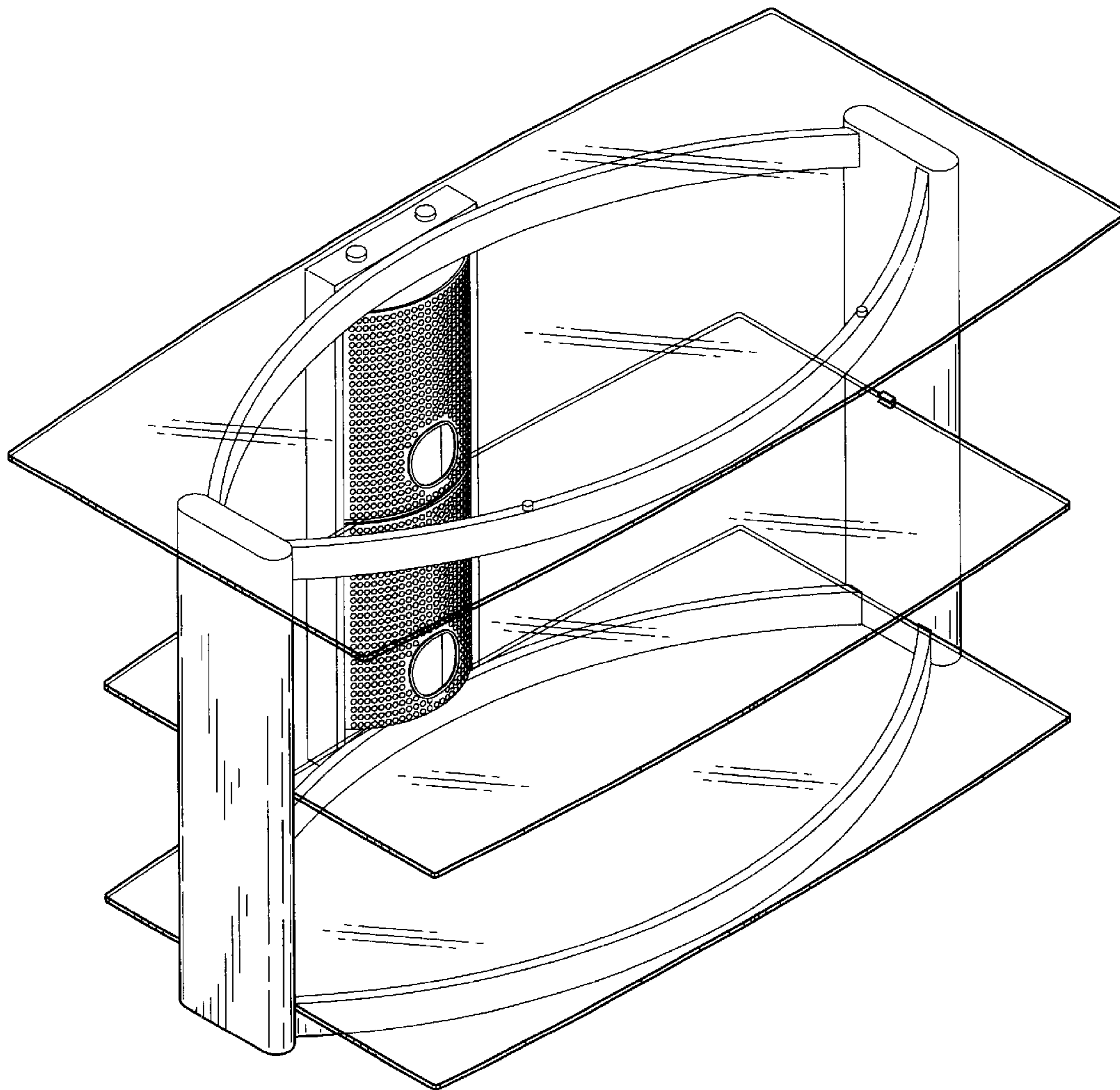


FIG. 2

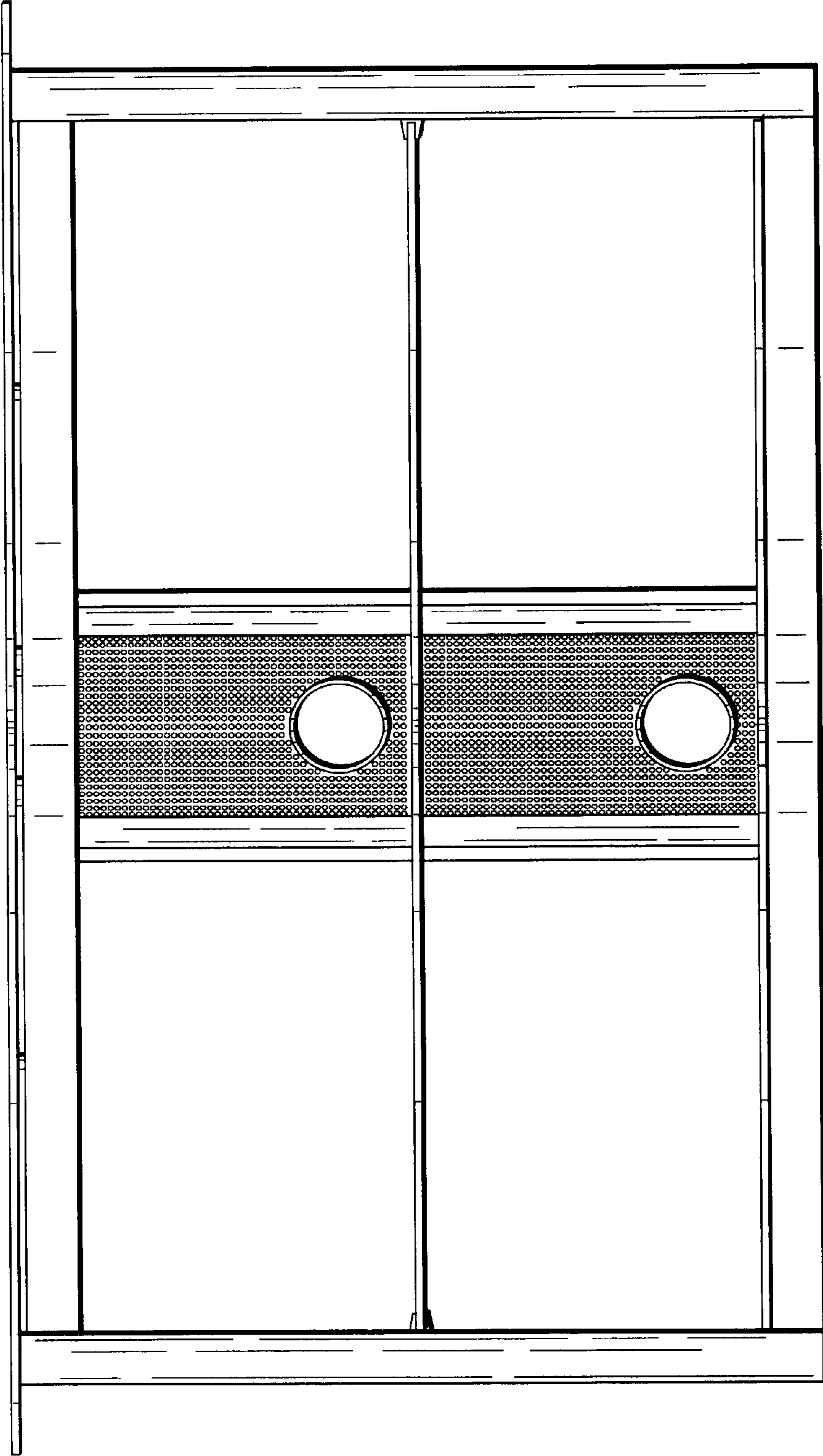




FIG. 3

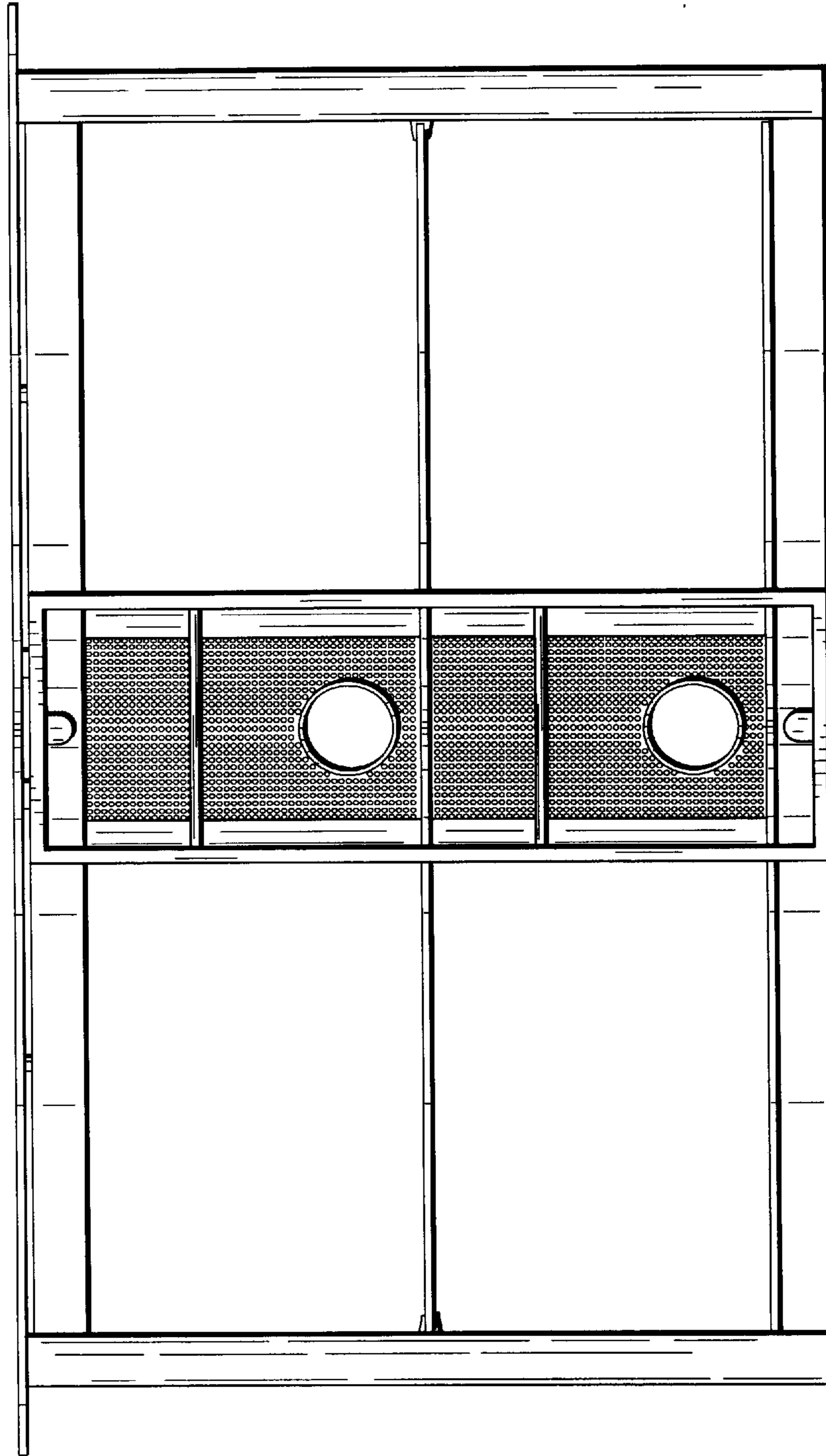


FIG. 4

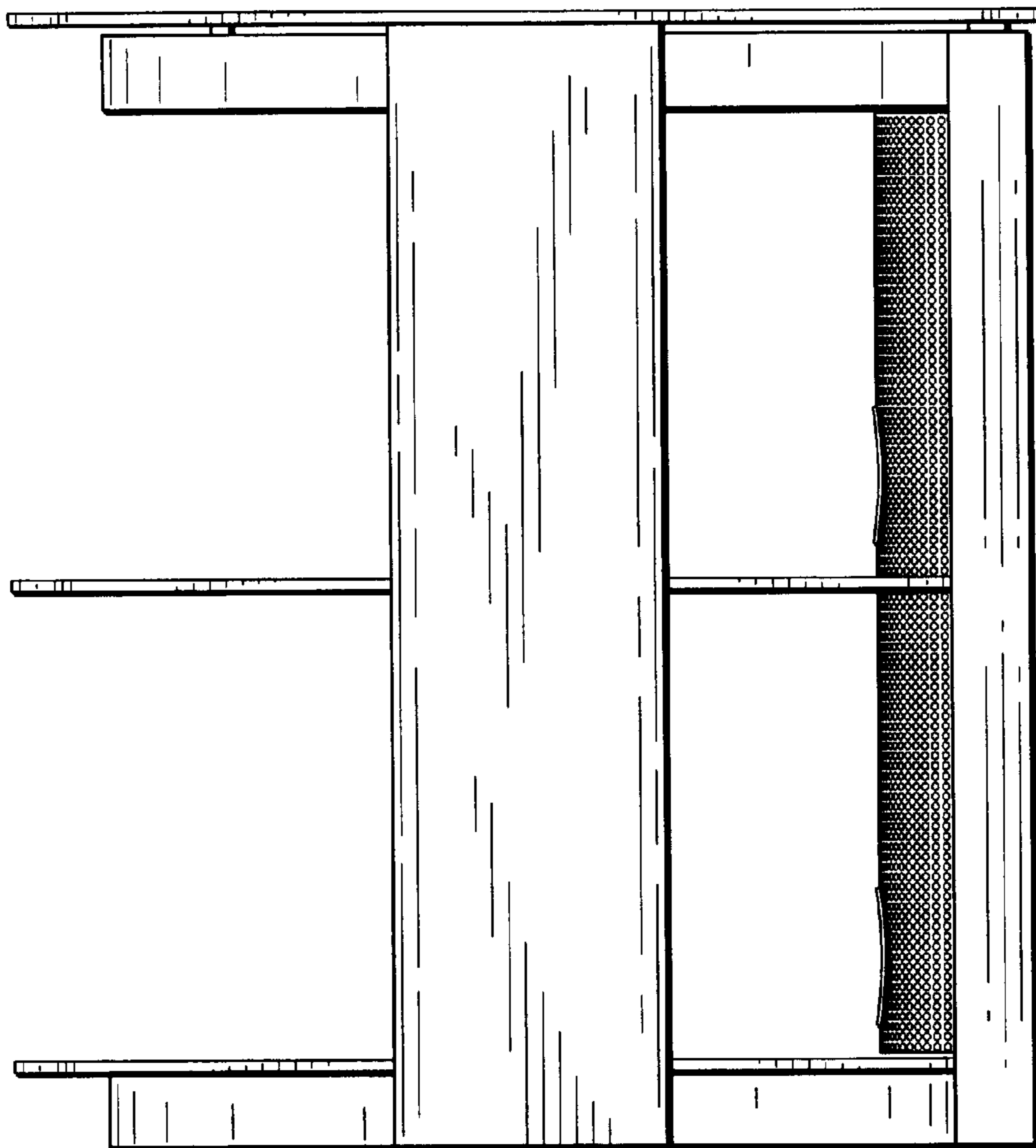


FIG. 5

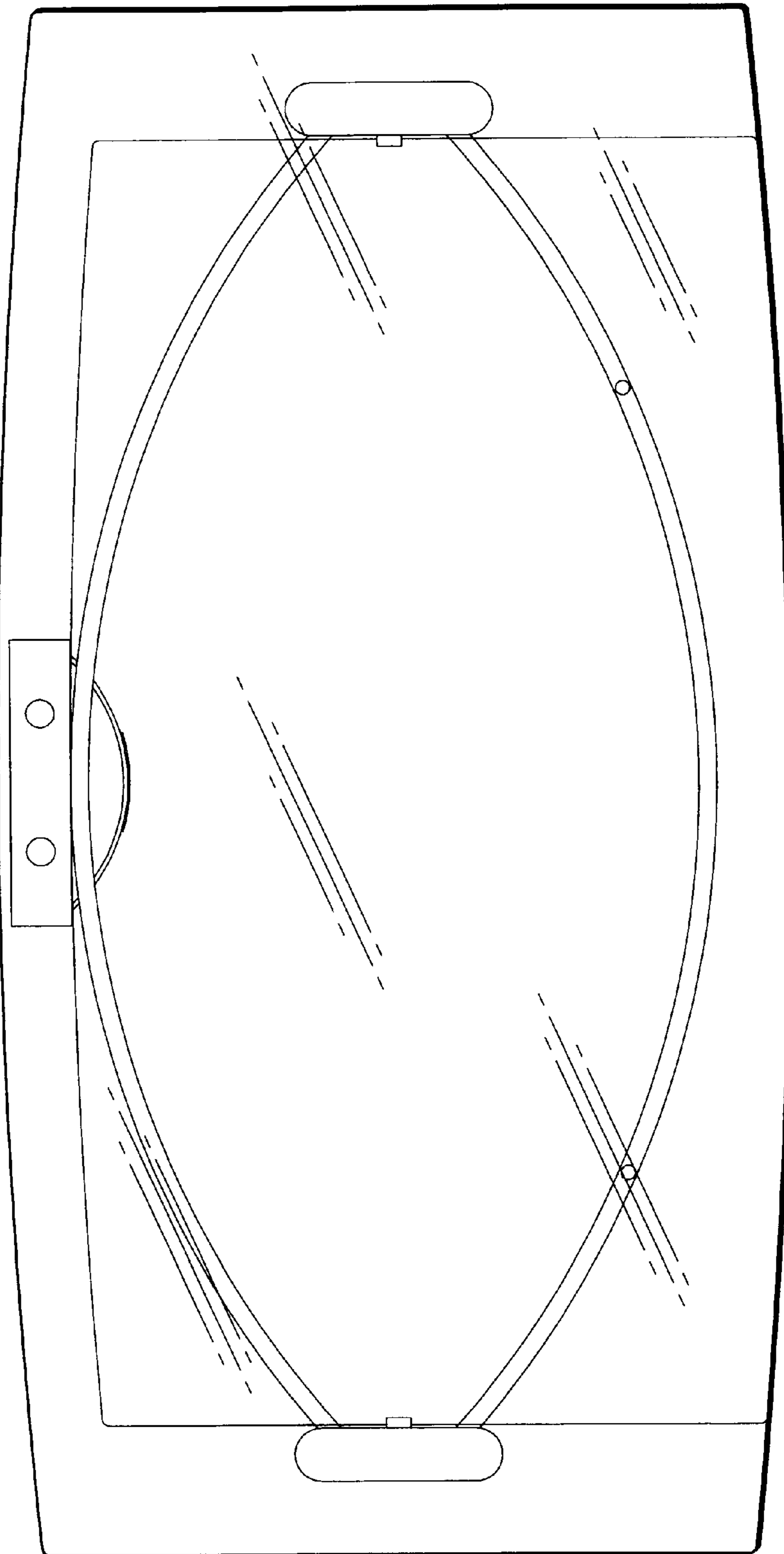


FIG. 6

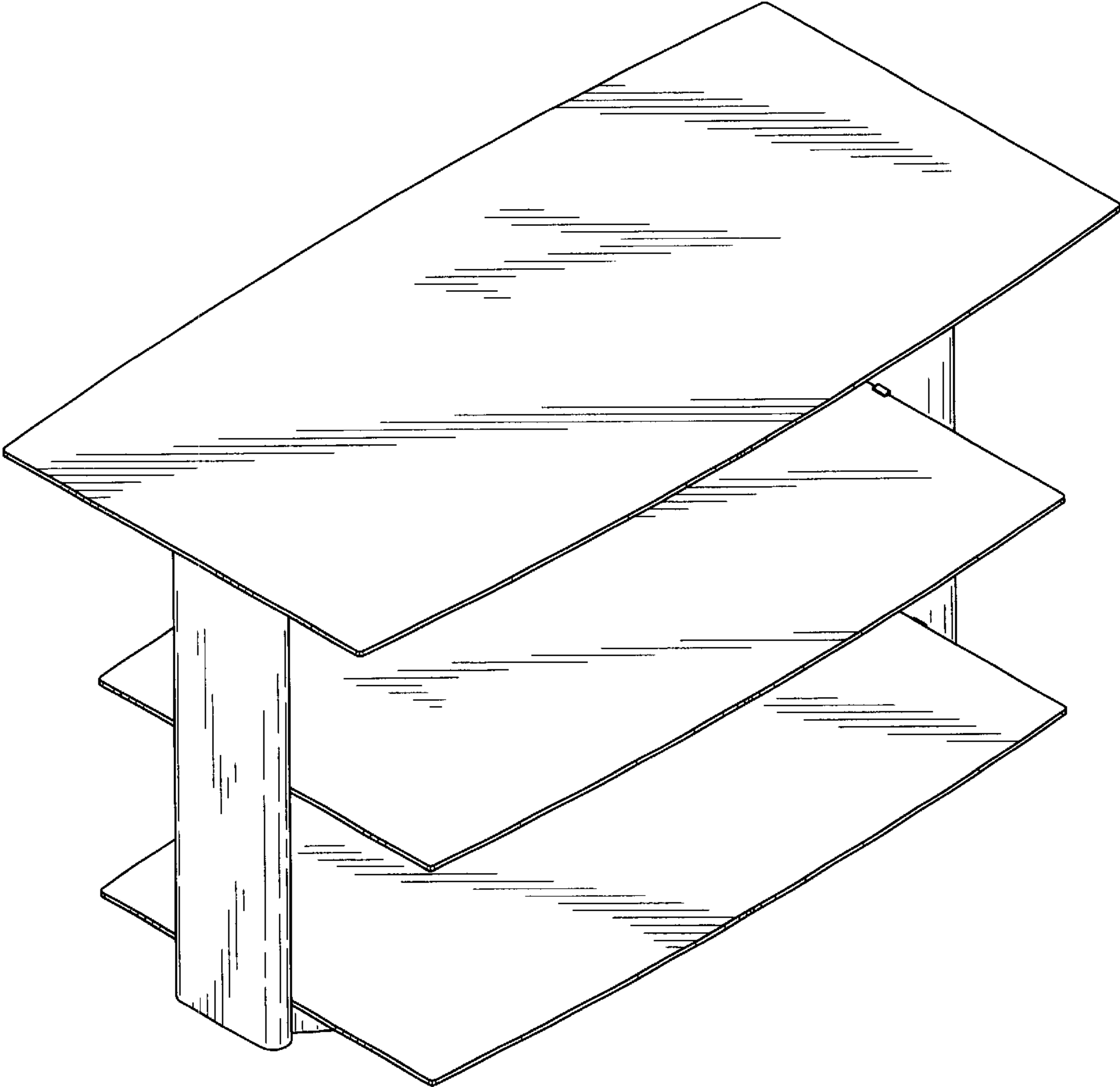


FIG. 7

