



US00D519756S

(12) **United States Design Patent**
Sexton

(10) **Patent No.:** **US D519,756 S**

(45) **Date of Patent:** **** May 2, 2006**

(54) **AUDIO-VIDEO STORAGE UNIT**

D502,341 S * 3/2005 Sexton D6/477
D507,128 S * 7/2005 Choo D6/477

(75) Inventor: **James S. Sexton**, Danville, CA (US)

* cited by examiner

(73) Assignee: **Z-Line Designs**, San Ramon, CA (US)

Primary Examiner—Cathron C. Brooks

(**) Term: **14 Years**

(74) *Attorney, Agent, or Firm*—Townsend and Townsend and Crew LLP

(21) Appl. No.: **29/215,750**

(57) **CLAIM**

(22) Filed: **Oct. 21, 2004**

The ornamental design for an audio-video storage unit, as shown and described.

(51) **LOC (8) Cl.** **06-04**

(52) **U.S. Cl.** **D6/479**

(58) **Field of Classification Search** D6/460,
D6/461, 468, 474, 477-479; 312/7.2, 9.1;
108/59, 91, 92, 96; 211/40, 41.12, 42, 49.1,
211/50, 85.2, 90.04, 187, 190, 119.003, 134.153,
211/87.01, 71.01

See application file for complete search history.

DESCRIPTION

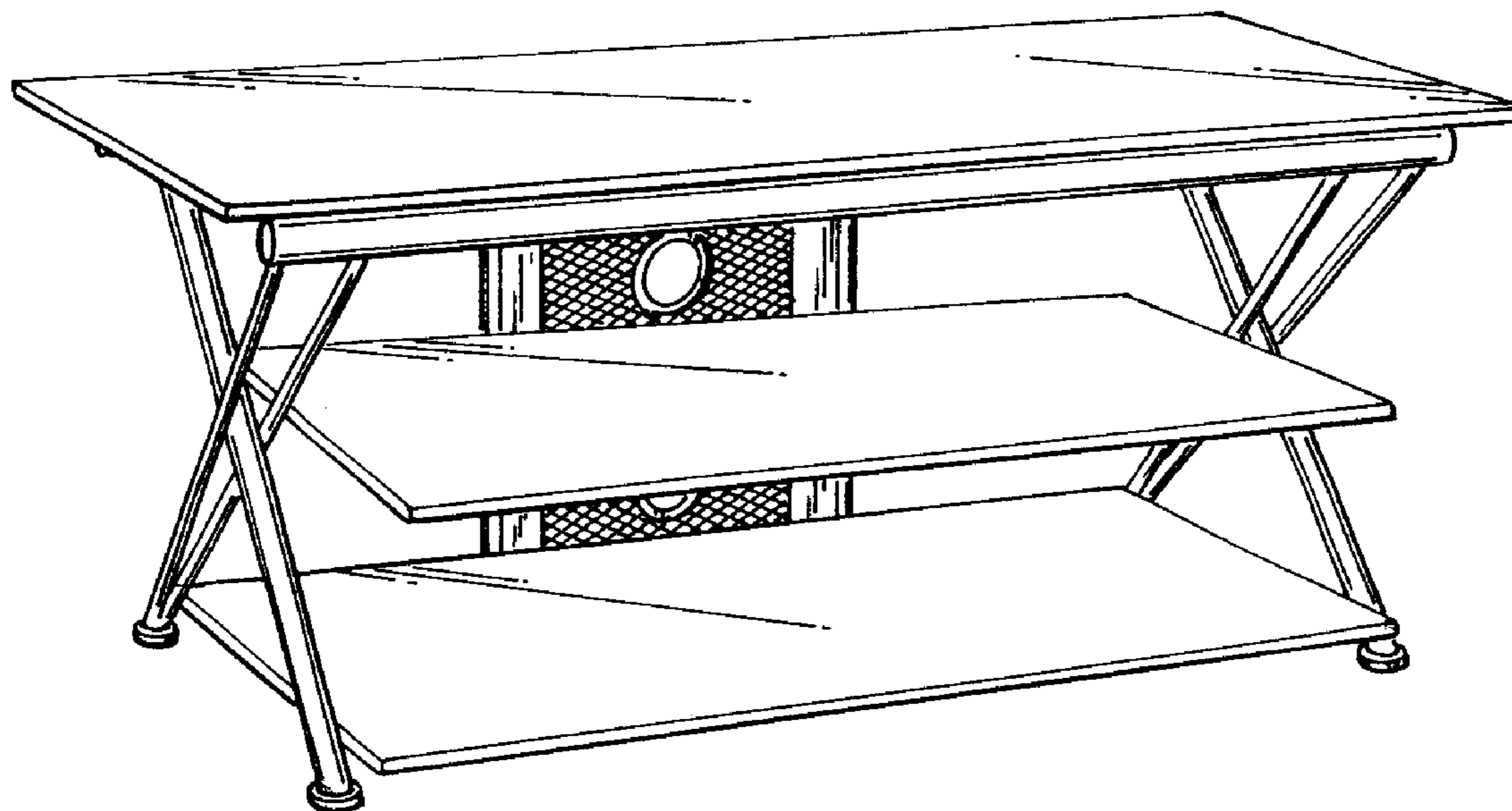
FIG. 1 is a perspective view of an audio-video storage unit showing my new design;
FIG. 2 is a top plan view thereof;
FIG. 3 is a front elevational view thereof;
FIG. 4 is a left side elevational view thereof;
FIG. 5 is a right side elevational view thereof;
FIG. 6 is a rear elevational view thereof;
FIG. 7 is a bottom plan view thereof
FIG. 8 is a perspective view of a second embodiment of my new design;
FIG. 9 is a top plan view thereof;
FIG. 10 is a front elevational view thereof;
FIG. 11 is a left side elevational view thereof;
FIG. 12 is a right side elevational view thereof;
FIG. 13 is a rear elevational view thereof; and,
FIG. 14 is a bottom plan view thereof.

(56) **References Cited**

U.S. PATENT DOCUMENTS

- D472,075 S * 3/2003 de Carolis D6/479
- D489,548 S * 5/2004 Malizia D6/477
- D491,385 S * 6/2004 Sexton D6/479
- D491,749 S * 6/2004 Malizia D6/474
- D496,808 S * 10/2004 Sexton D6/479
- D497,740 S * 11/2004 Sexton D6/479
- D497,741 S * 11/2004 Sexton D6/479
- D498,946 S * 11/2004 Sexton D6/479
- D501,740 S * 2/2005 Sexton D6/477
- D502,027 S * 2/2005 Sexton D6/479

1 Claim, 4 Drawing Sheets



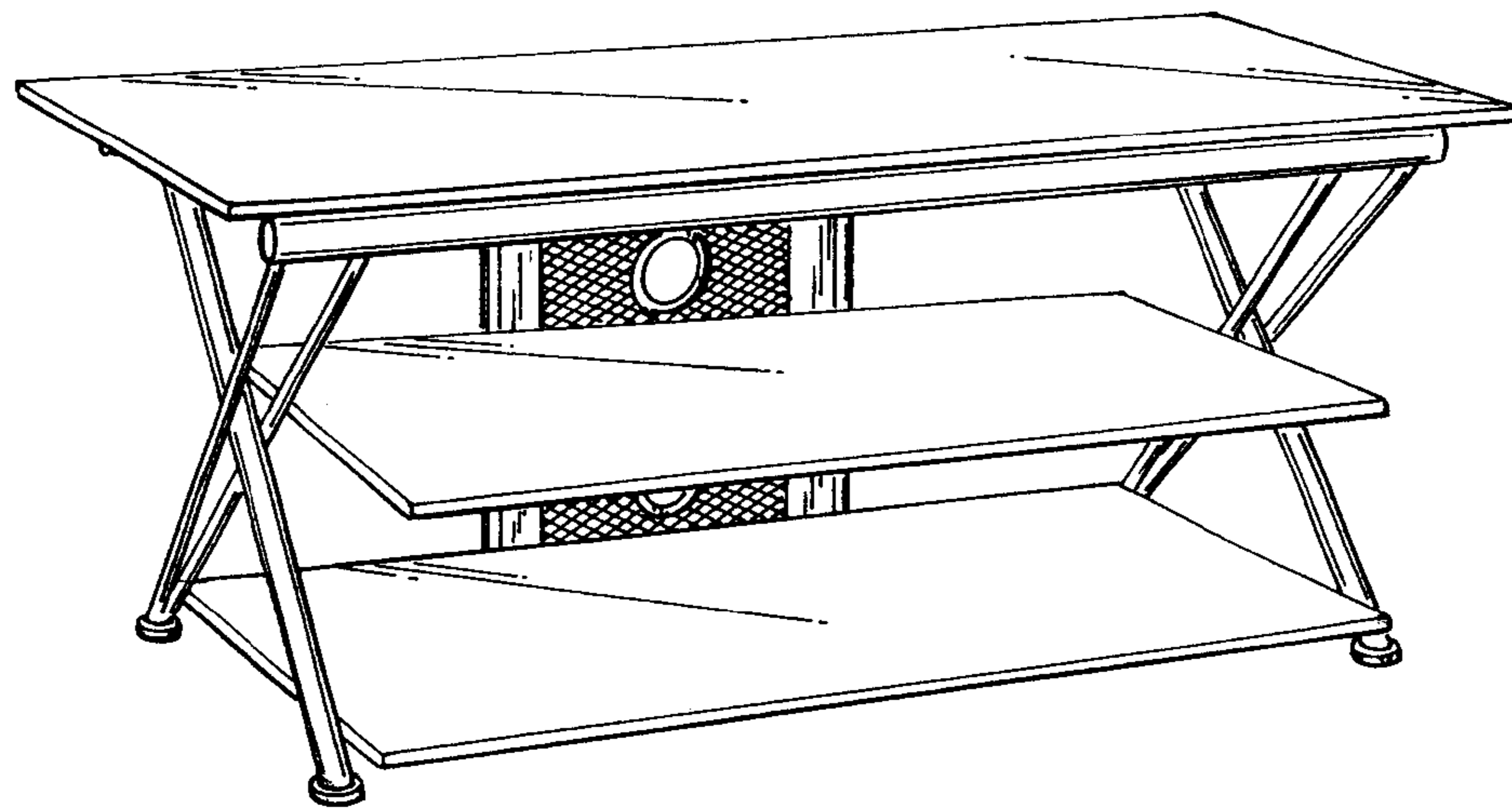


FIG. 1

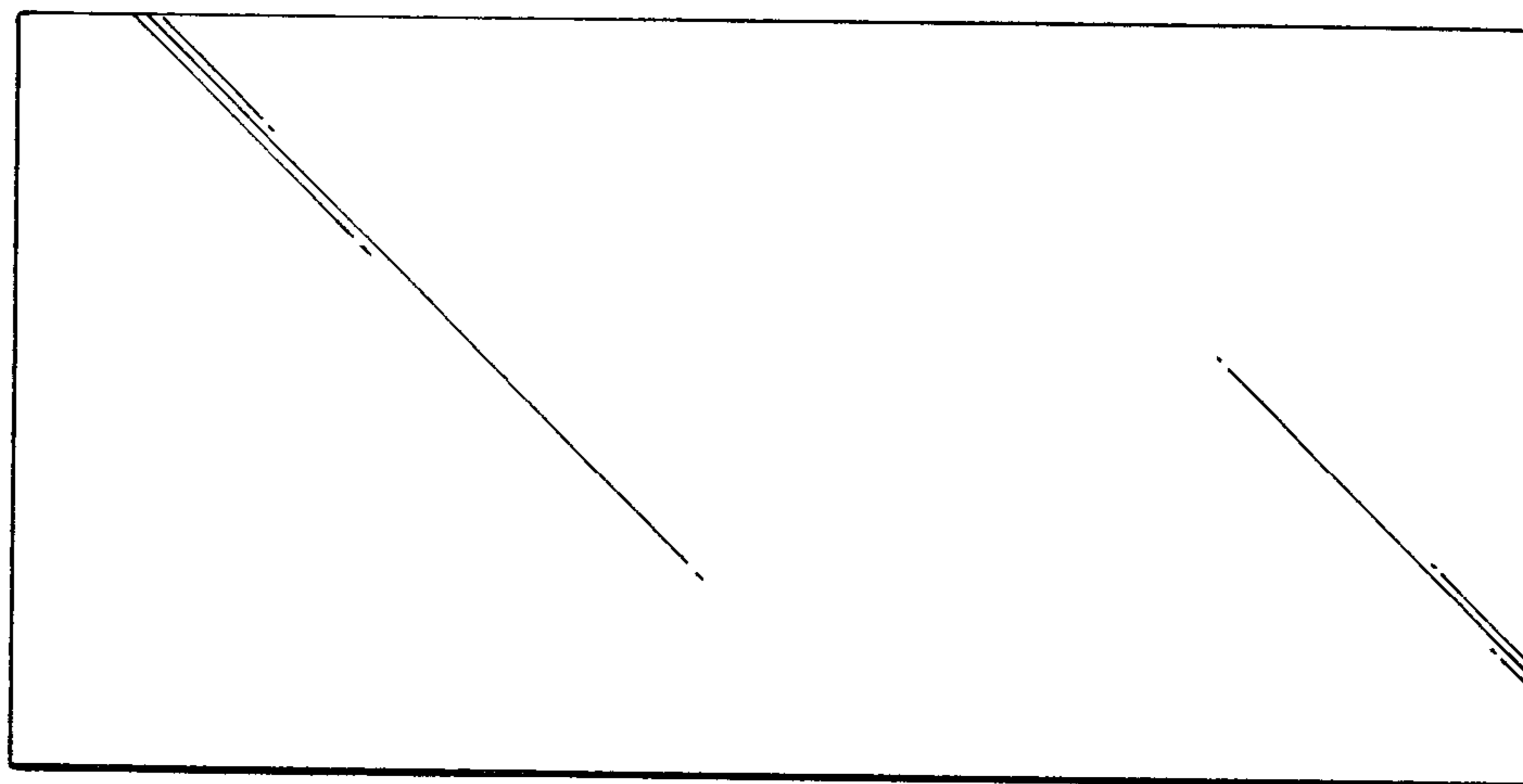


FIG. 2

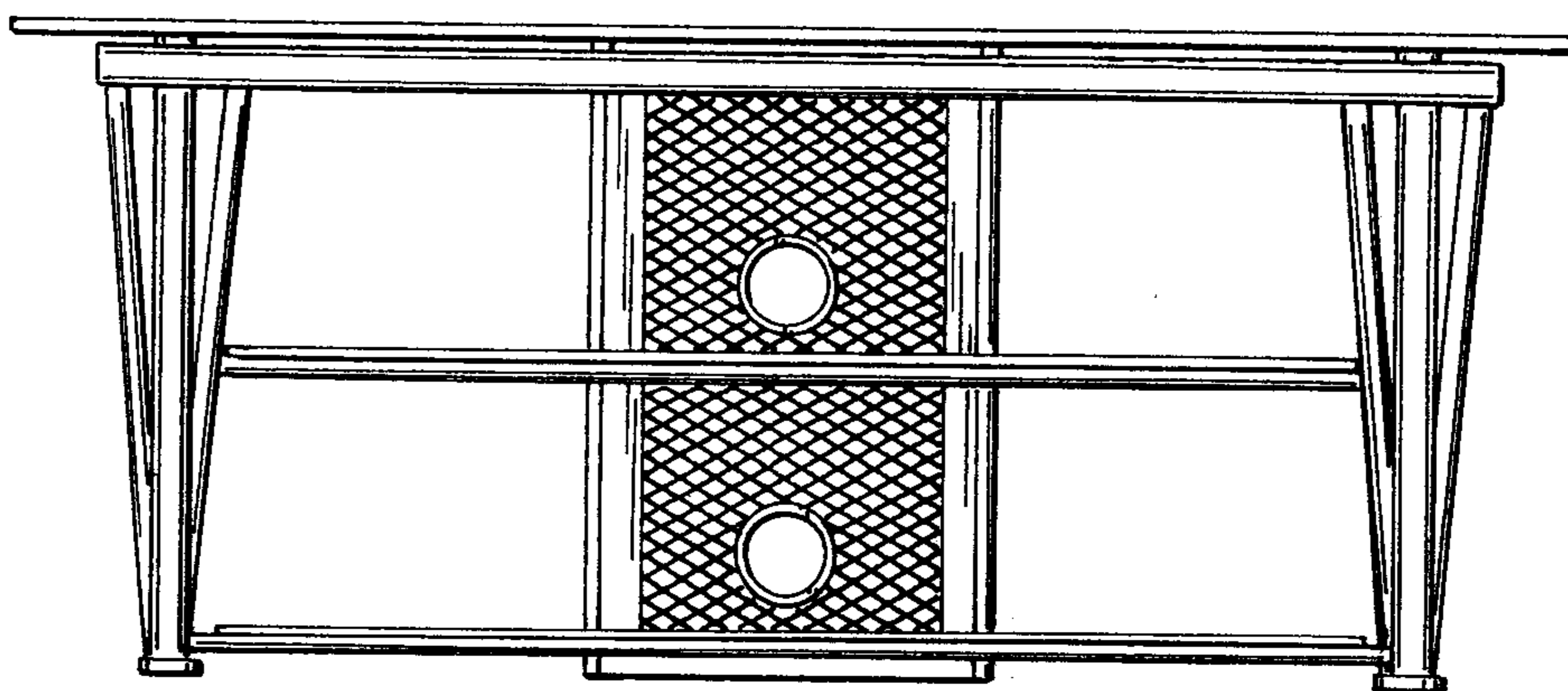


FIG. 3

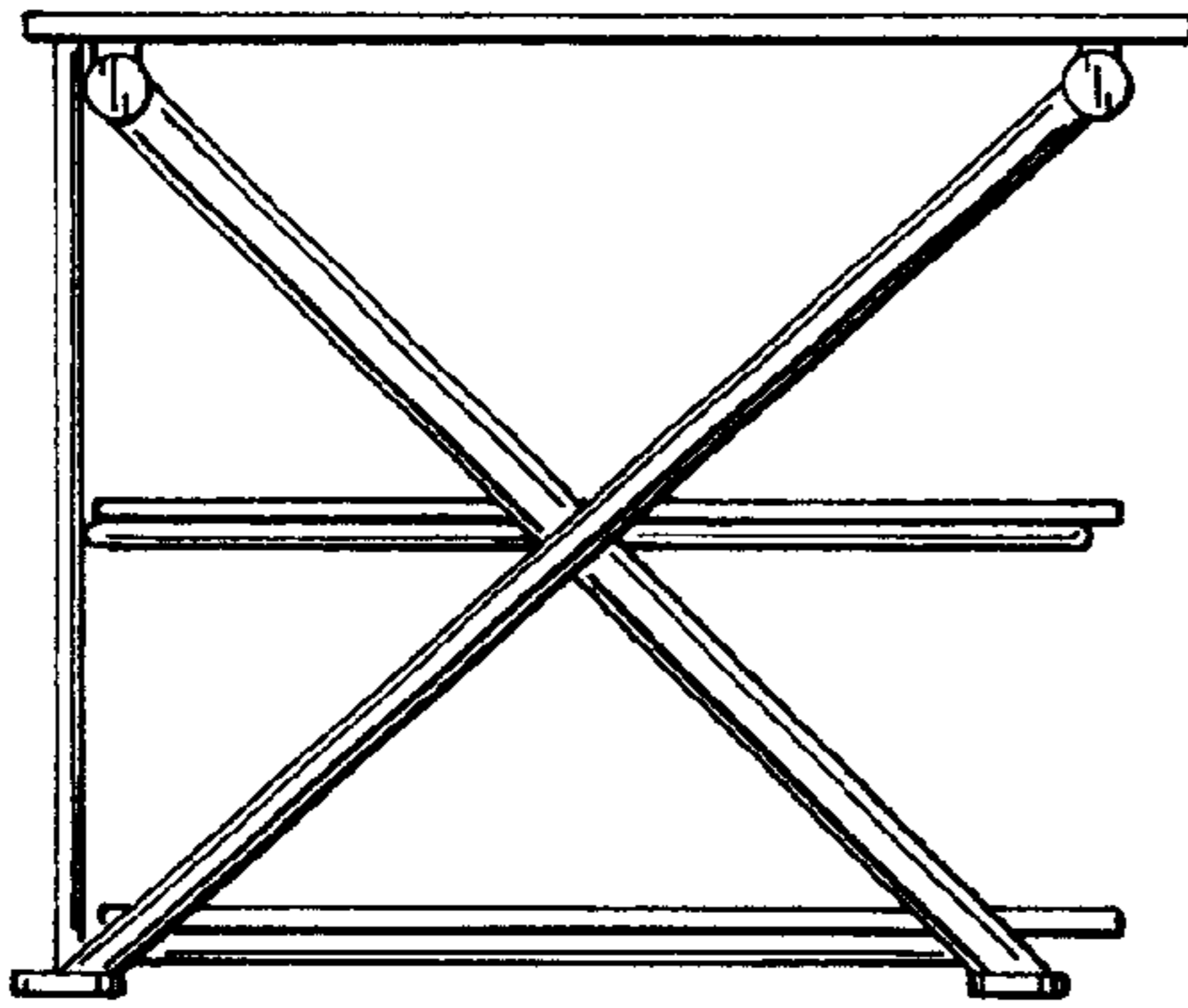


FIG. 4

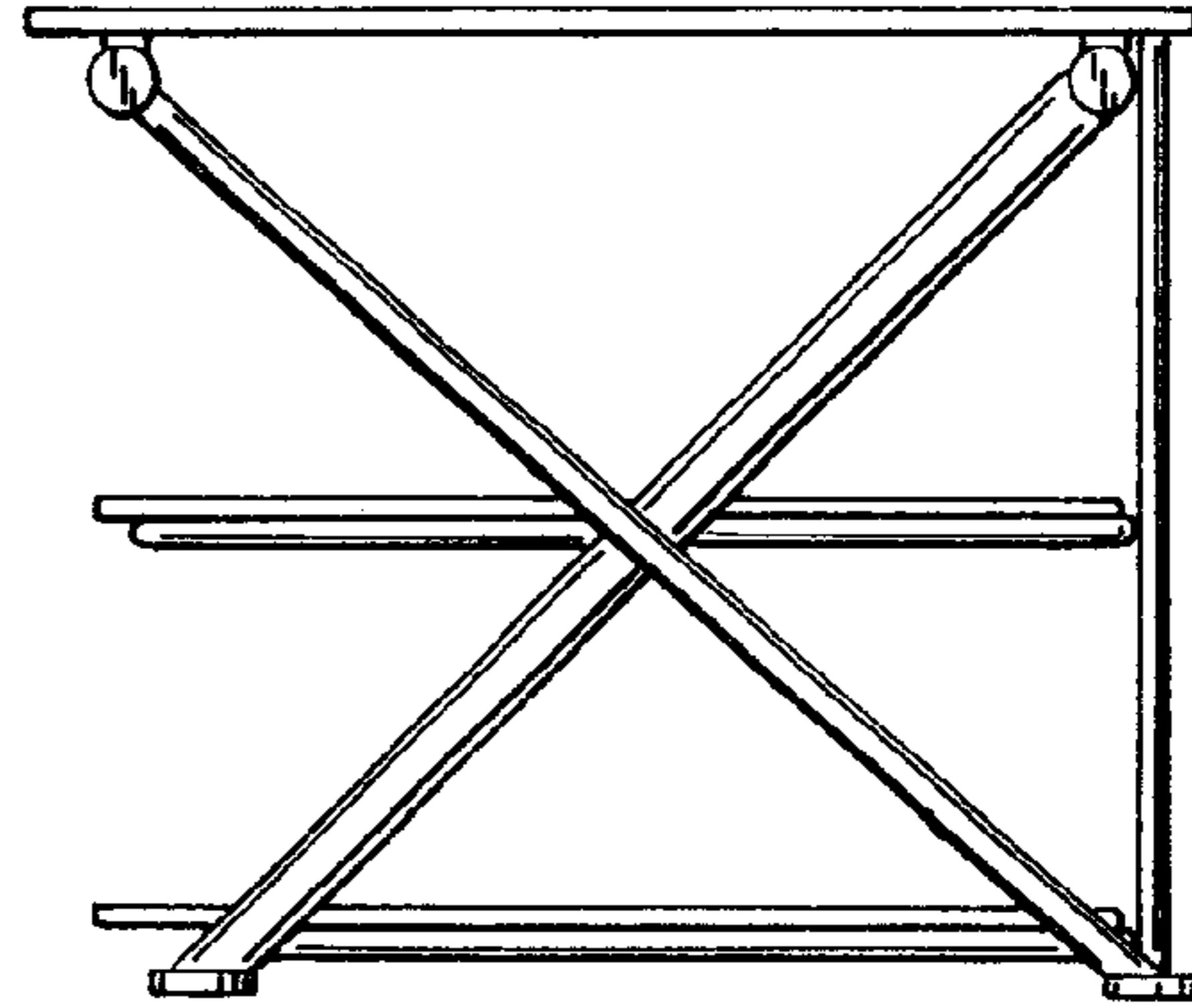


FIG. 5

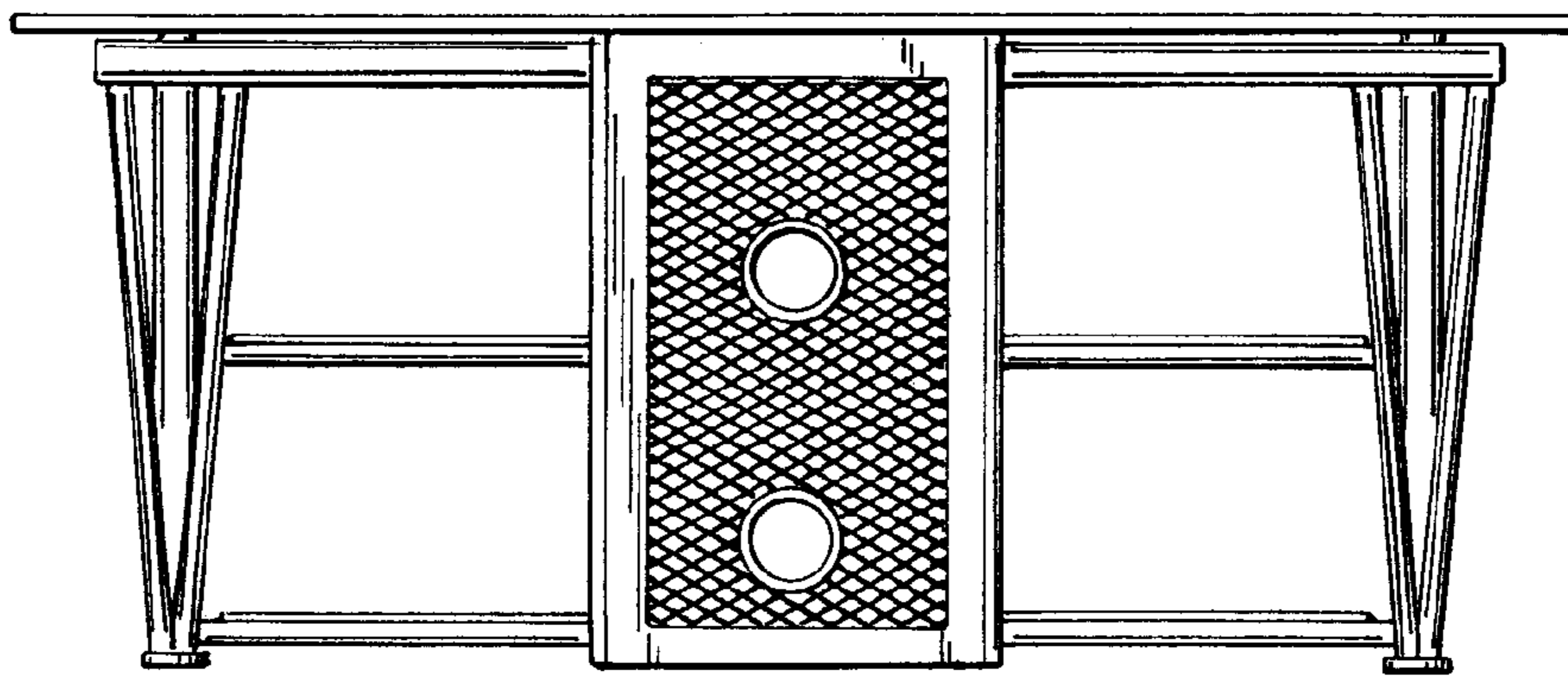


FIG. 6

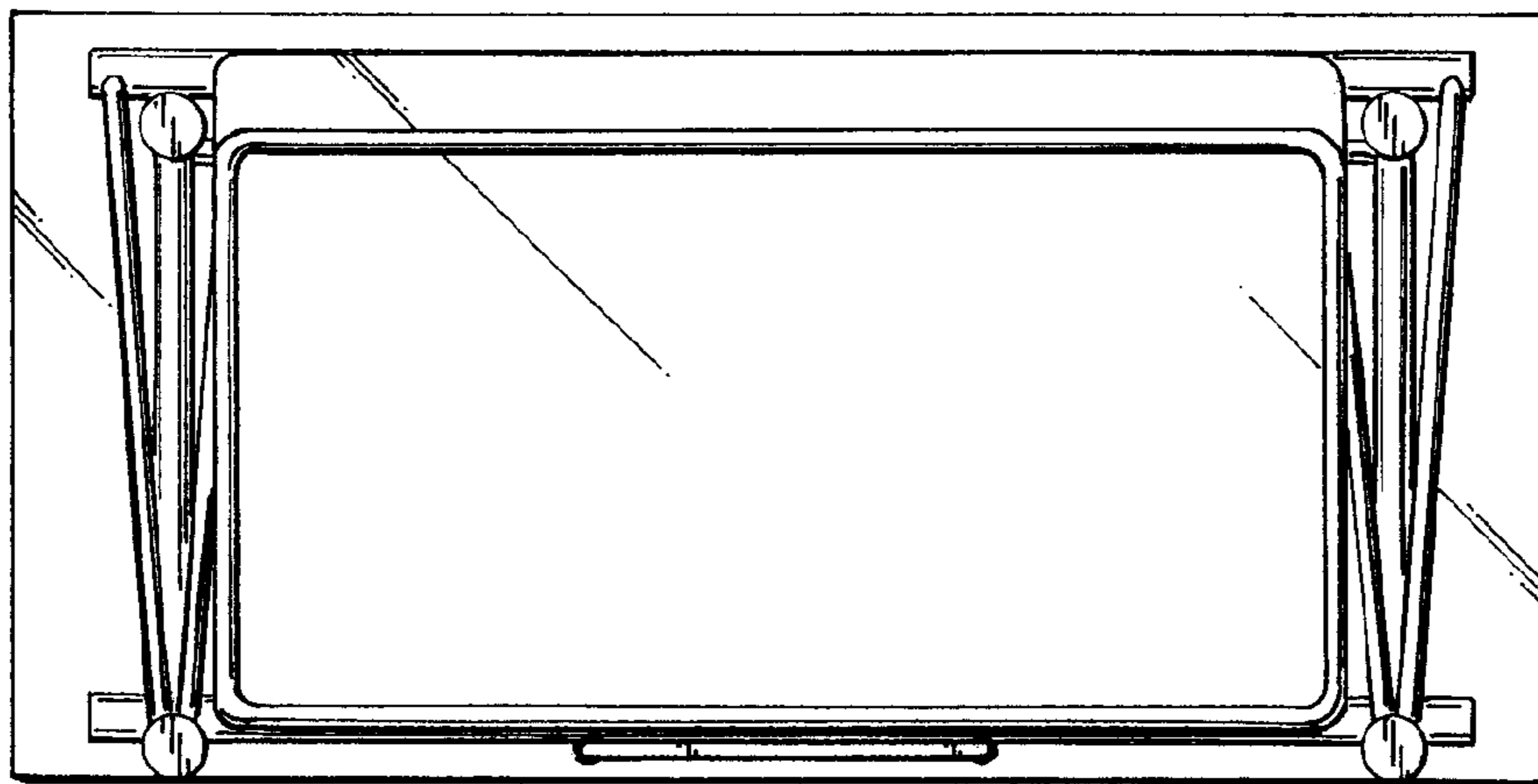


FIG. 7

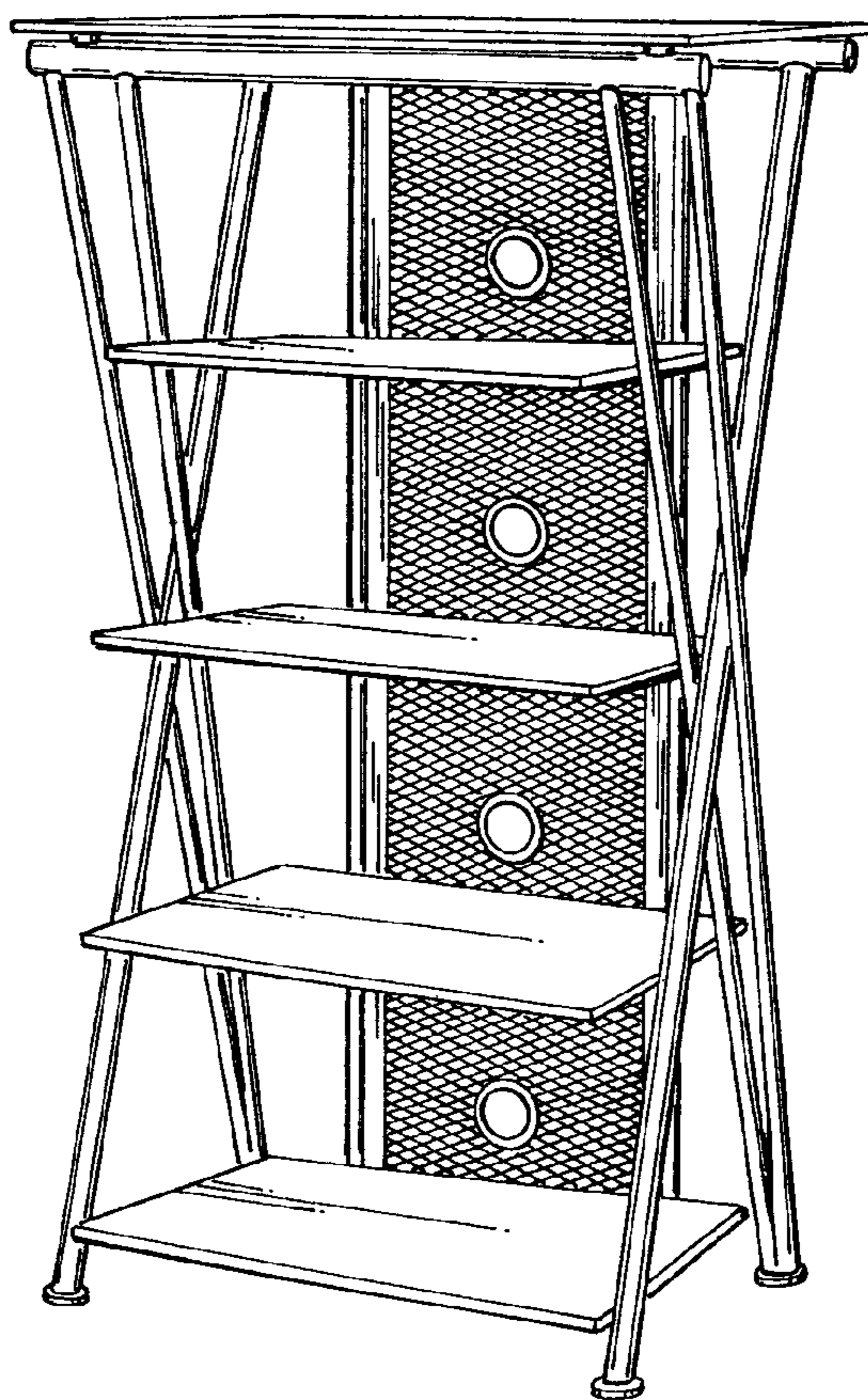


FIG. 8

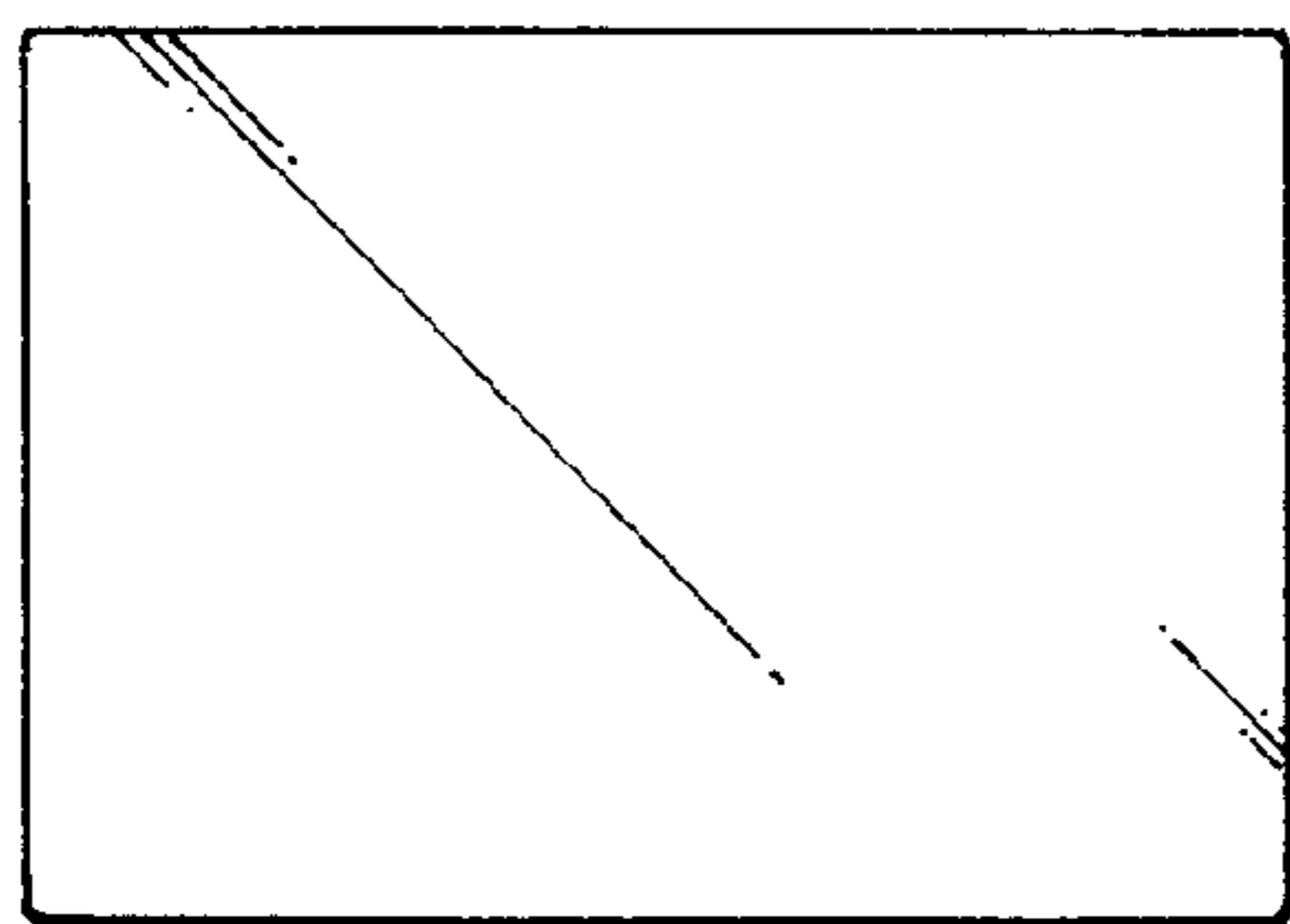


FIG. 9

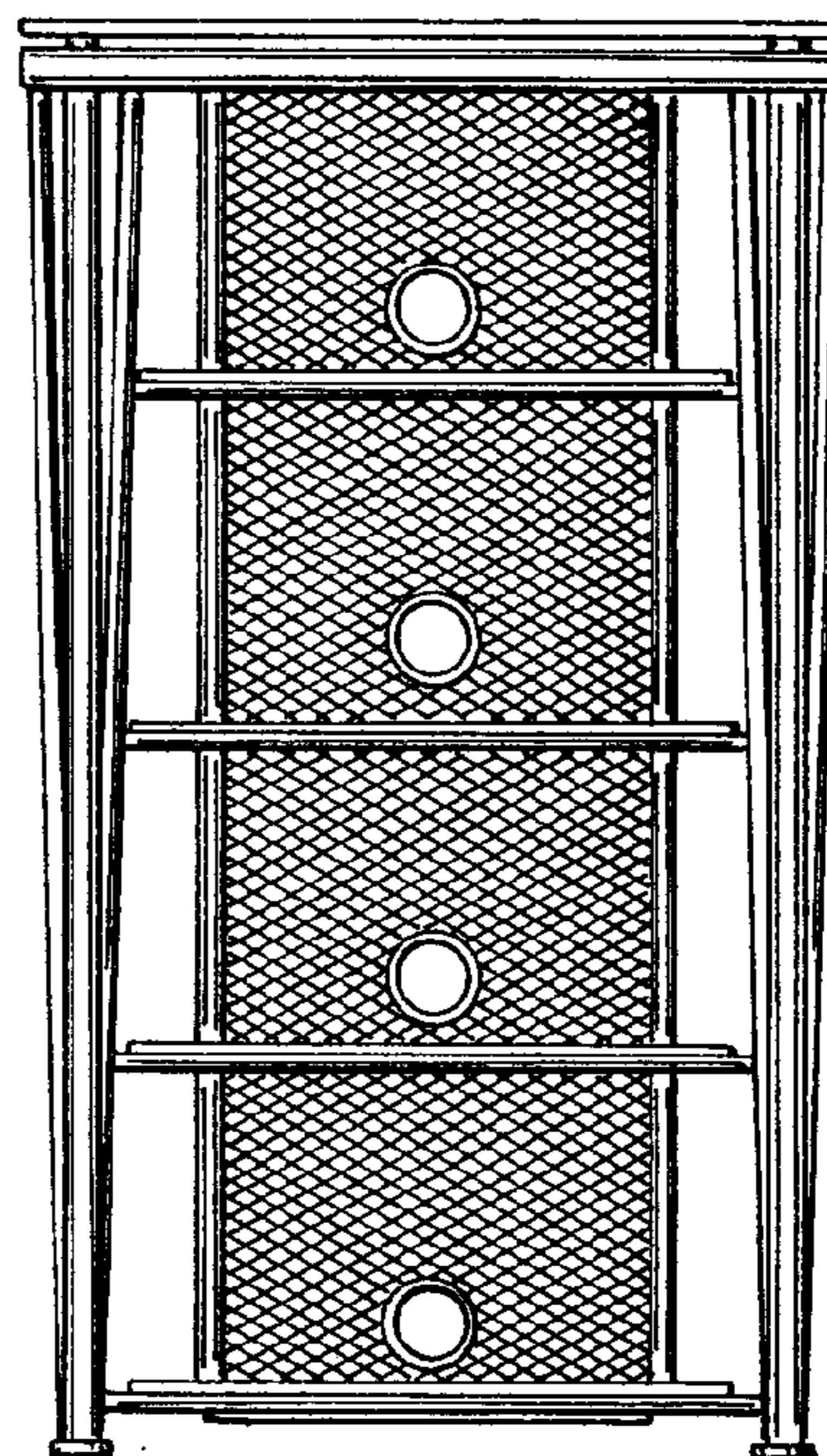


FIG. 10

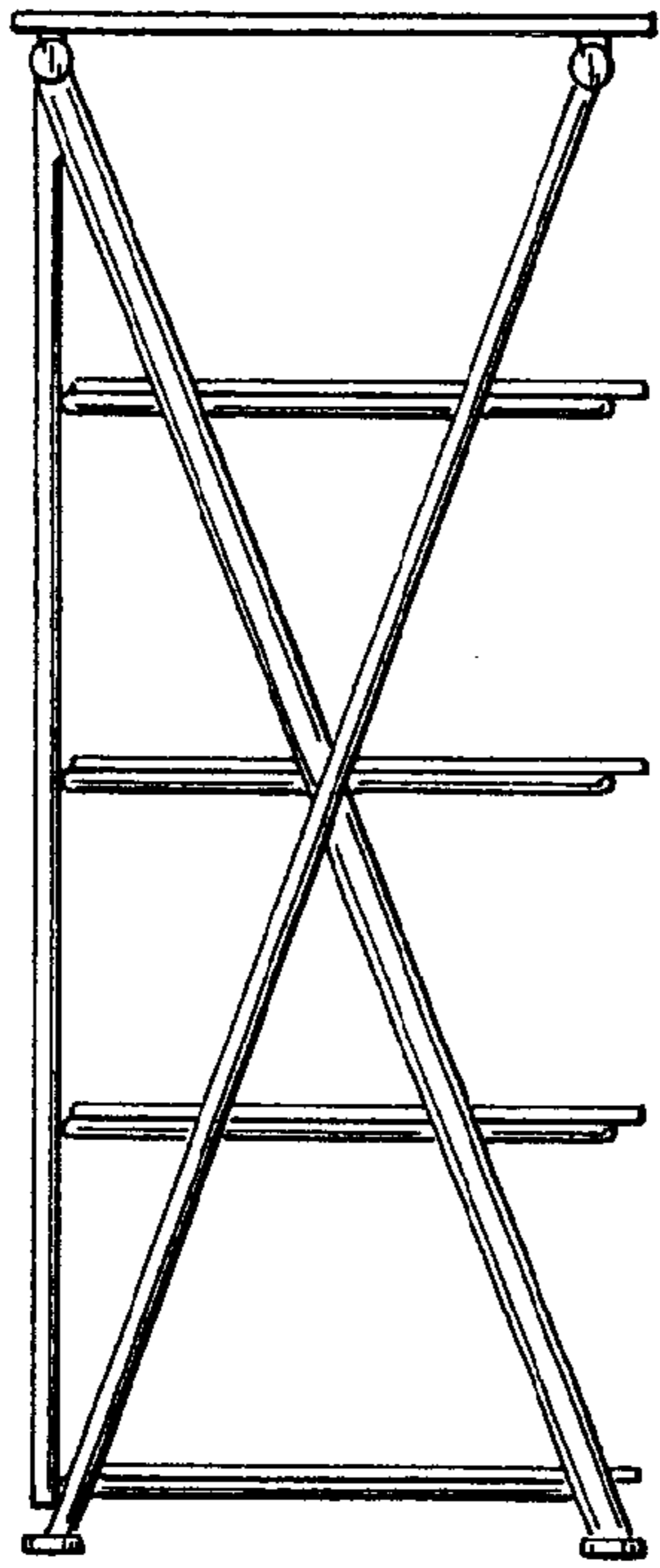


FIG. 11

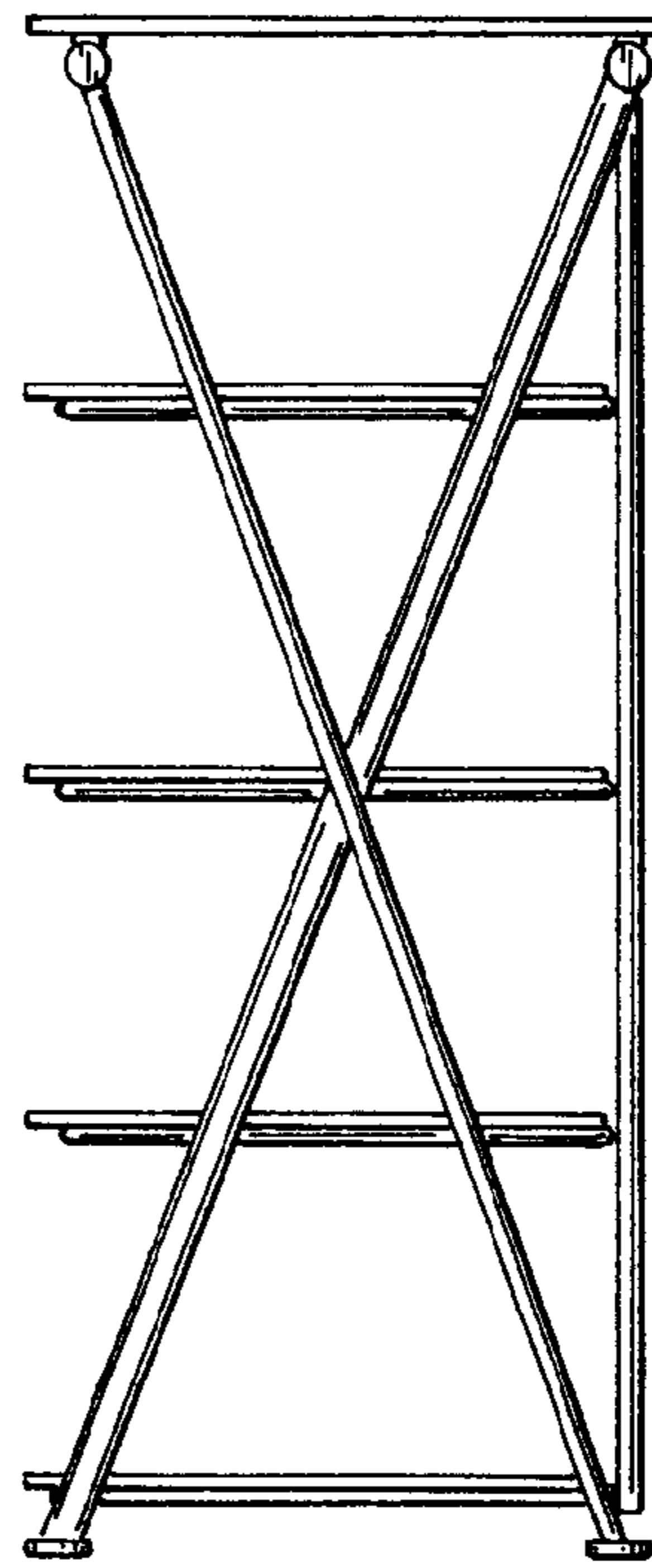


FIG. 12

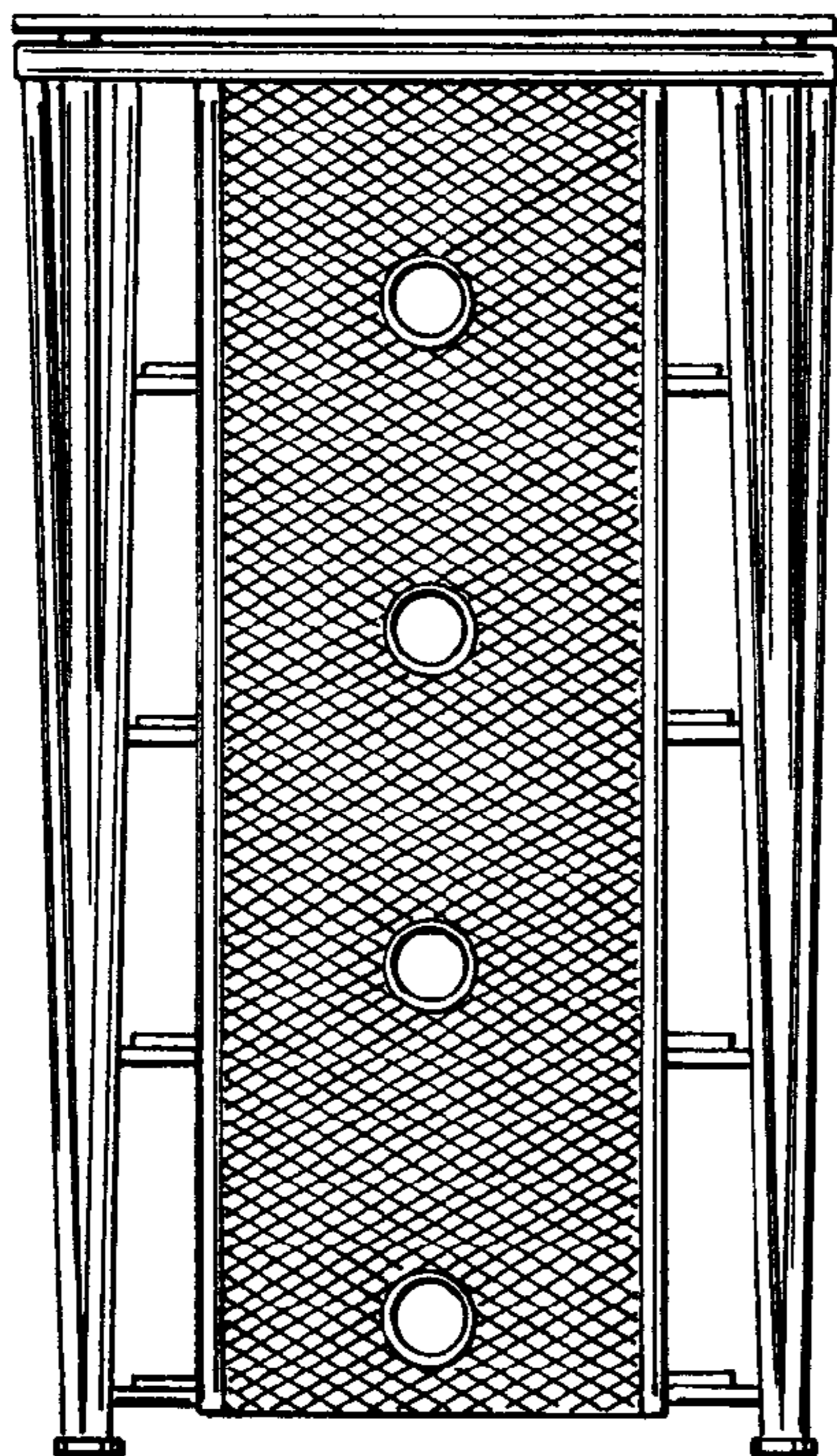


FIG. 13

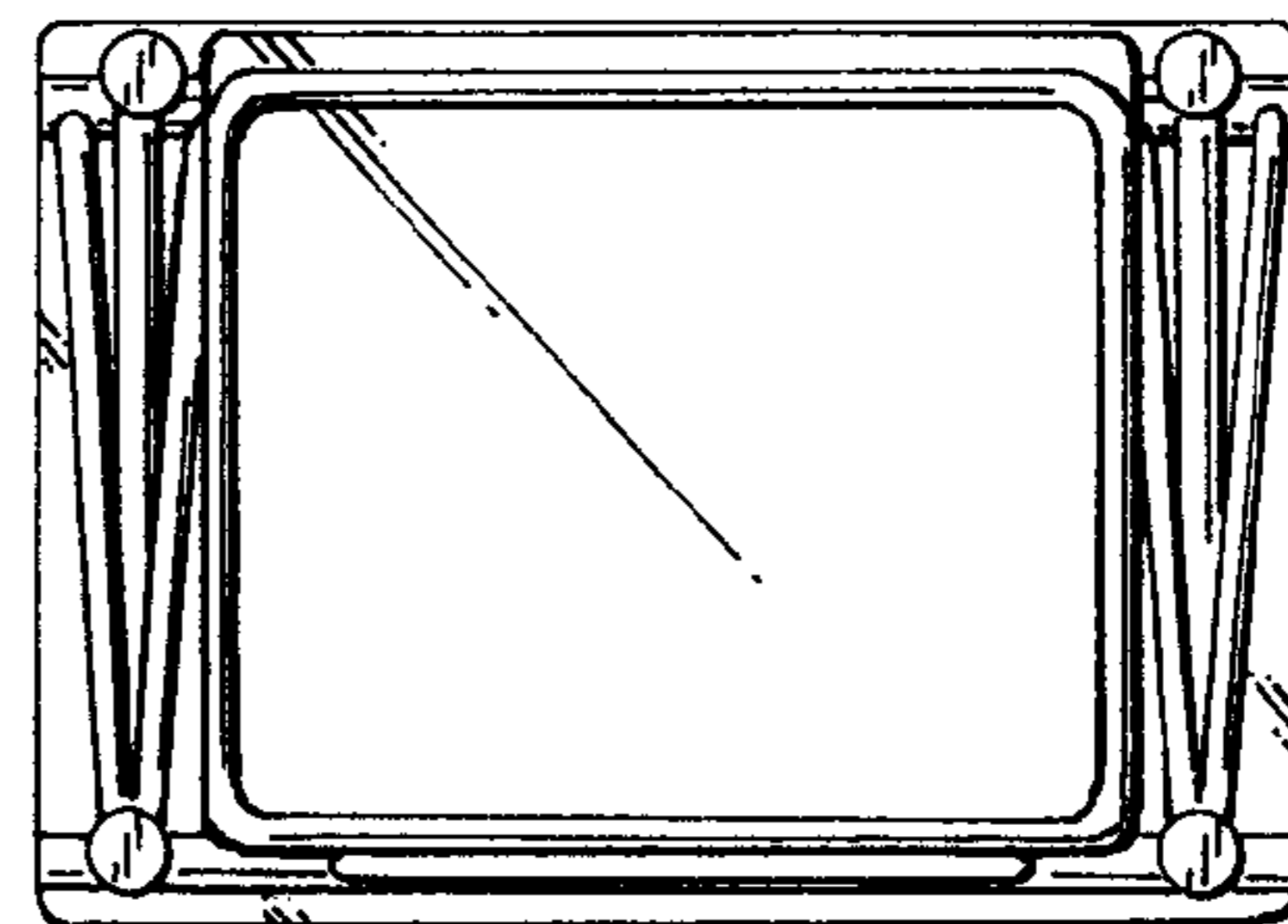


FIG. 14