



US00D519751S

(12) **United States Design Patent**  
**Etter**

(10) **Patent No.:** **US D519,751 S**

(45) **Date of Patent:** **\*\* May 2, 2006**

- (54) **DISPENSER DISPLAY**
- (75) Inventor: **Lisa B. Etter**, Zionsville, IN (US)
- (73) Assignee: **Solo Cup Operating Corporation**, Highland Park, IL (US)
- (\*\*) Term: **14 Years**
- (21) Appl. No.: **29/183,244**
- (22) Filed: **Jun. 9, 2003**
- (51) **LOC (8) Cl.** ..... **06-04**
- (52) **U.S. Cl.** ..... **D6/449**
- (58) **Field of Classification Search** ..... D6/408, D6/411, 459, 450, 456, 462, 467, 468, 469, D6/466, 465, 479, 475, 476, 510, 511, 517, D6/627, 629, 630; D14/251, 253; 211/13.1, 211/85.1, 85.2, 85.6, 26.1, 39-36, 40, 41.1, 211/41.12, 51, 74, 59.3, 85, 85.18, 85.23, 211/87.01, 90.01, 164, 199, 119.003  
See application file for complete search history.

- 5,265,738 A 11/1993 Yablans et al.
- 5,542,552 A 8/1996 Yablans et al.
- 5,992,652 A 11/1999 Springs
- 5,992,653 A 11/1999 Anderson et al.
- 6,409,027 B1 6/2002 Chang et al.
- 6,484,891 B1 \* 11/2002 Burke ..... 211/59.3
- 2003/0217980 A1 \* 11/2003 Johnson et al. .... 211/59.3
- 2004/0079715 A1 \* 4/2004 Richter et al. .... 211/59.3

\* cited by examiner

*Primary Examiner*—Caron D. Veynar  
*Assistant Examiner*—Sydney R. Buffalow  
(74) *Attorney, Agent, or Firm*—Wallenstein Wagner & Rockey, Ltd.

(57) **CLAIM**

The ornamental design of a dispenser display, as shown and described.

**DESCRIPTION**

FIG. 1 is a perspective view of the present dispenser display having an elongated recess.  
FIG. 2 is a rear view of the dispenser display shown in FIG. 1.  
FIG. 3 is a front view of the dispenser display shown in FIG. 1.  
FIG. 4 is a side elevation view of the dispenser display shown in FIG. 1, the opposed side elevation view being identical thereto; and,  
FIG. 5 is a top view of the dispenser display shown in FIG. 1.  
The broken lines in FIGS. 1-5 are for illustrative purposes only and form no part of the claimed design.

**1 Claim, 3 Drawing Sheets**

(56) **References Cited**

**U.S. PATENT DOCUMENTS**

- 4,020,946 A 5/1977 Gardner et al.
- 4,364,481 A 12/1982 Ricci
- 4,706,821 A 11/1987 Kohls et al.
- 4,923,070 A 5/1990 Jackle et al.
- 5,024,336 A 6/1991 Spamer
- 5,111,942 A 5/1992 Bernardin
- 5,123,551 A 6/1992 King
- D330,121 S \* 10/1992 Wear et al. .... D6/408
- 5,190,186 A 3/1993 Yablans et al.
- 5,203,463 A 4/1993 Gold

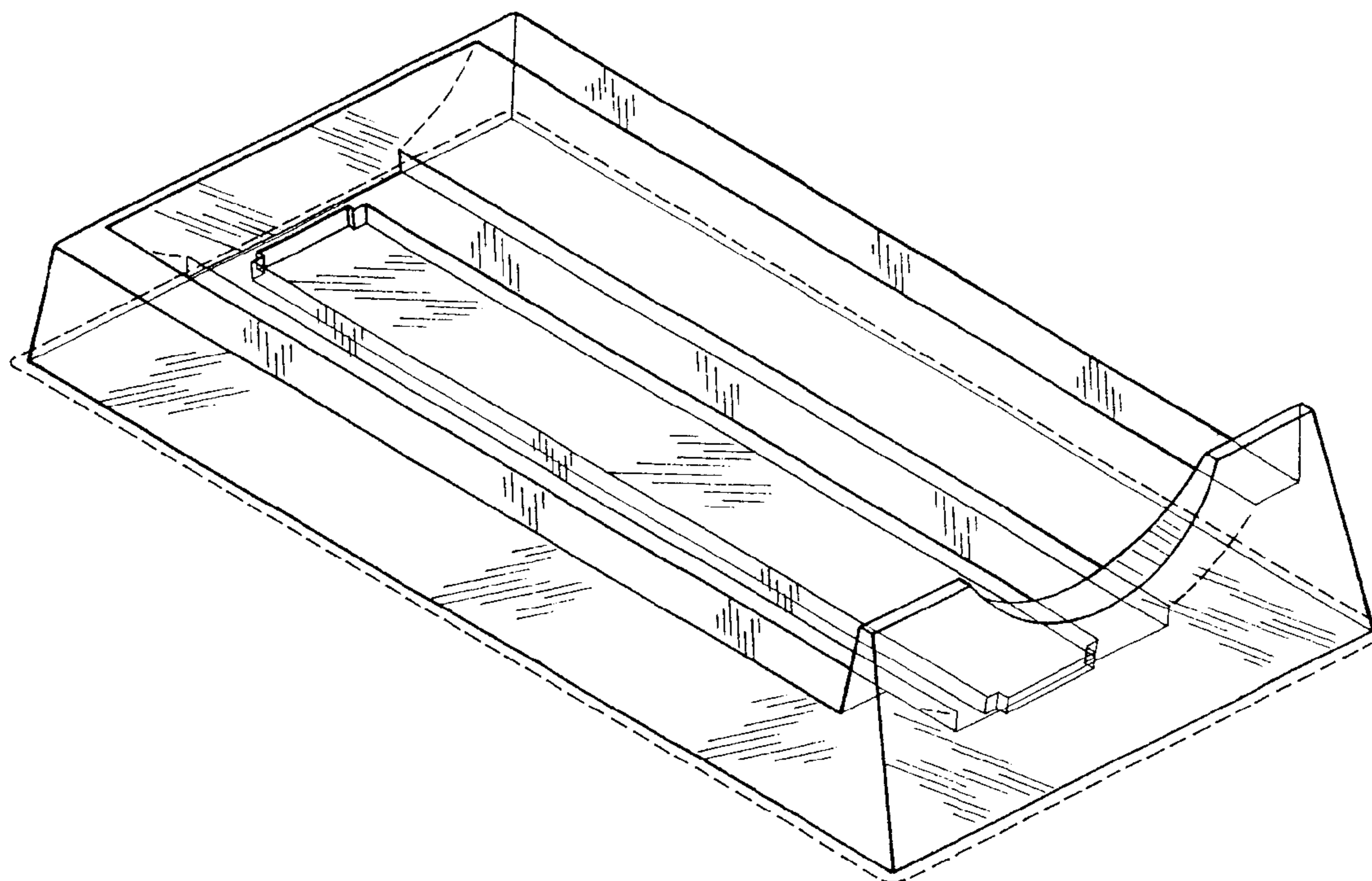


FIG. 1

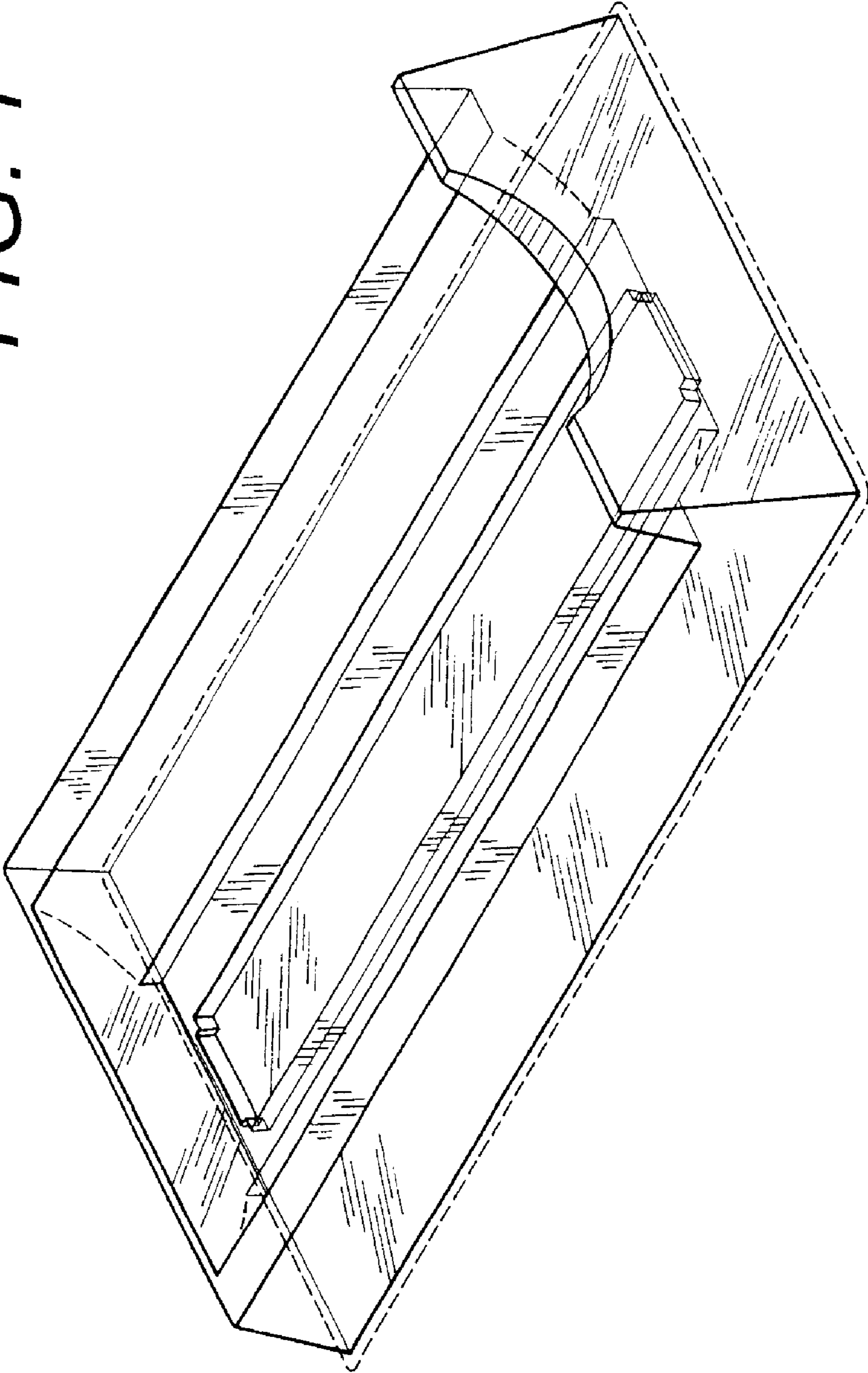


FIG. 2

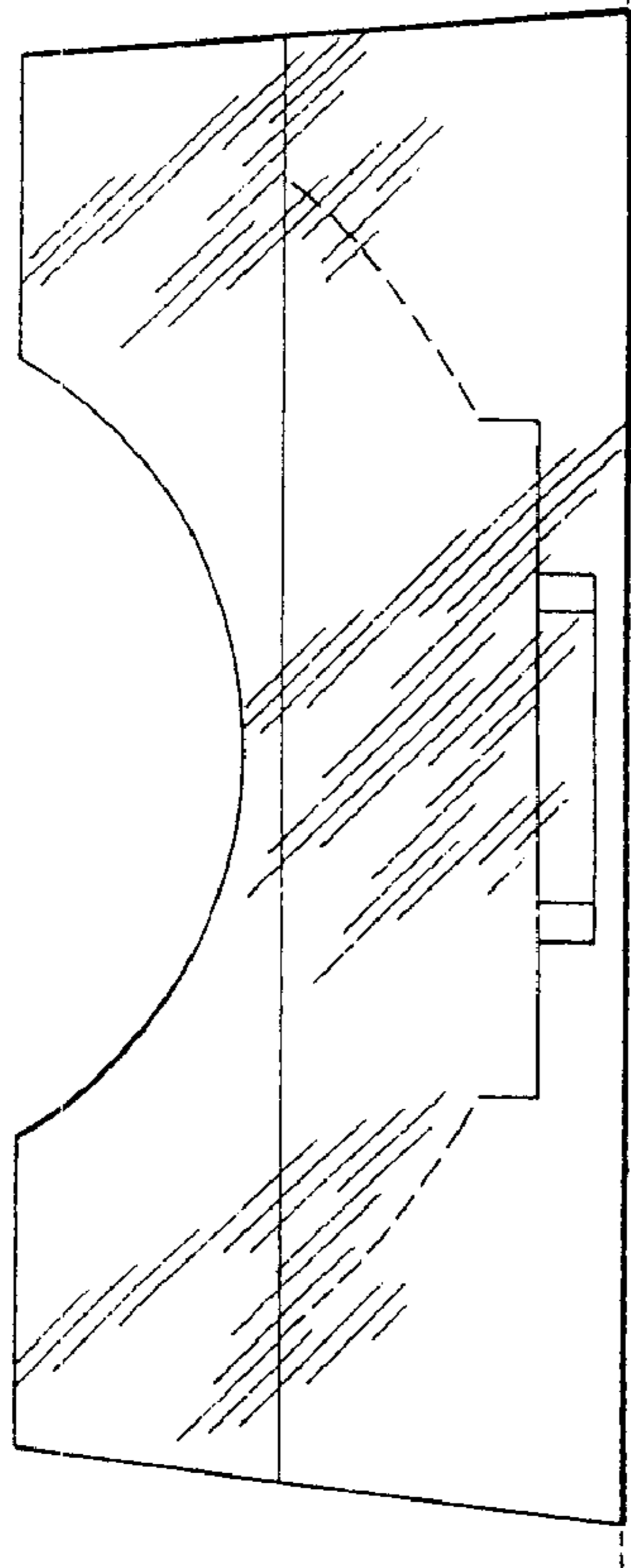


FIG. 3

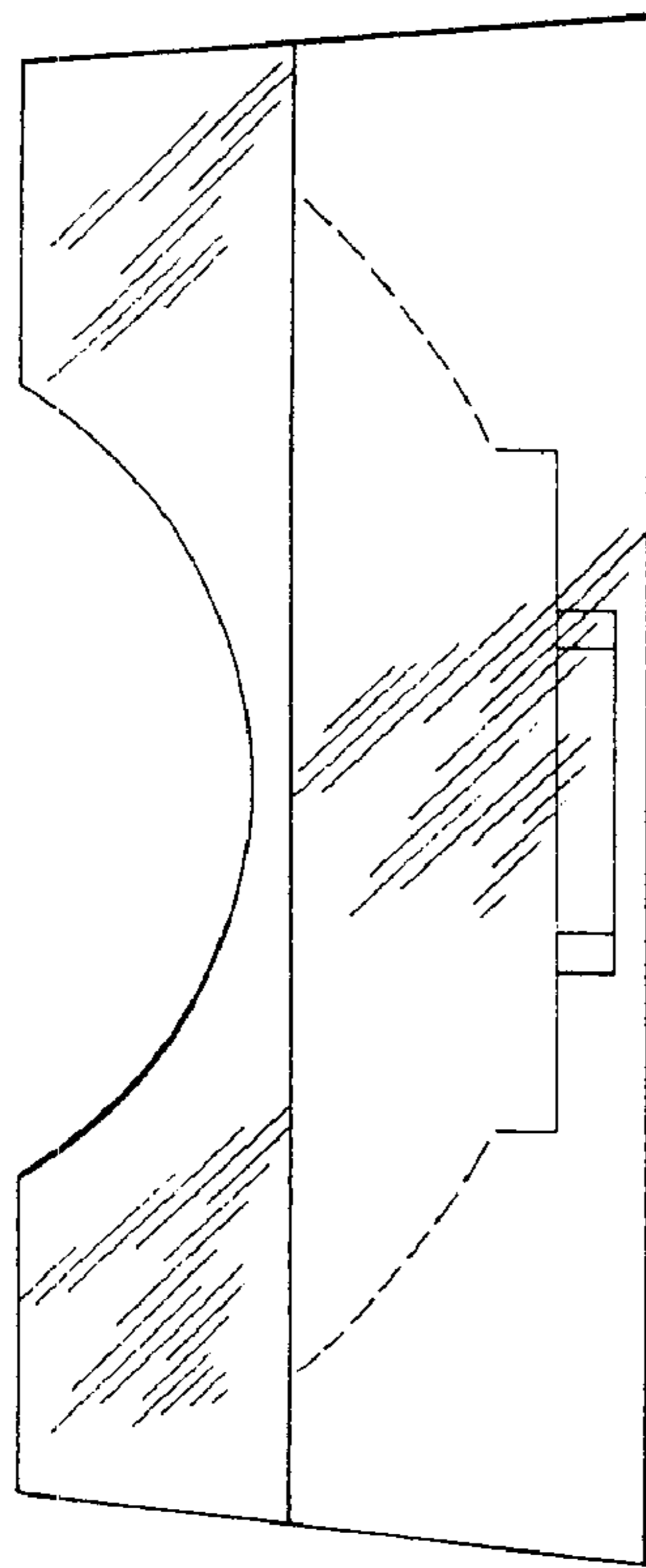


FIG. 4

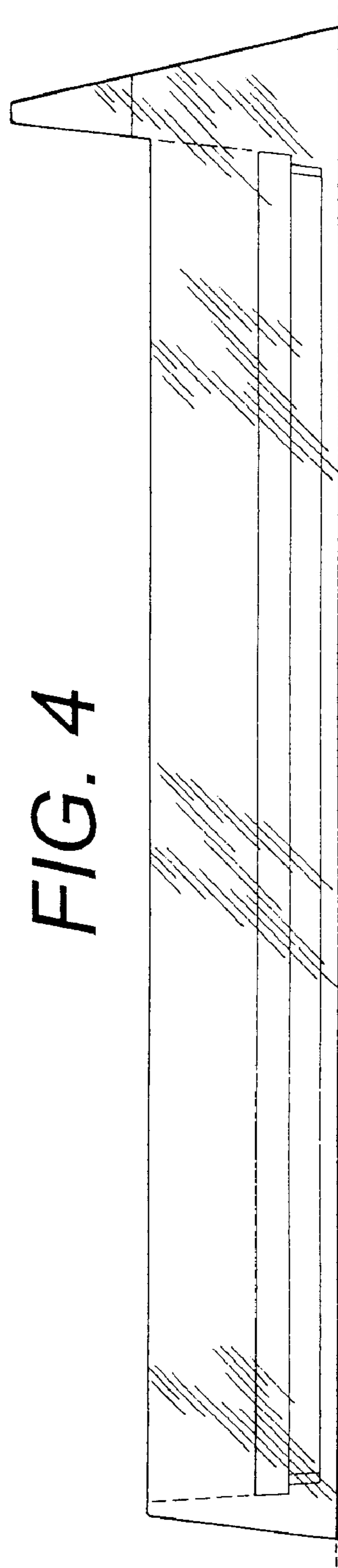


FIG. 5

