



US00D519746S

(12) **United States Design Patent**  
**Ng et al.**

(10) **Patent No.:** **US D519,746 S**  
(45) **Date of Patent:** **\*\* May 2, 2006**

(54) **CIRCULAR PUZZLE TABLE SET**  
(75) Inventors: **Edward Ng**, 931 Massachusetts Ave.,  
Suite 604, Cambridge, MA (US) 02139;  
**Achyut Kantawala**, Cambridge, MA  
(US)

(73) Assignee: **Edward Ng**, Cambridge, MA (US)

(\*\*) Term: **14 Years**

(21) Appl. No.: **29/222,611**

(22) Filed: **Feb. 2, 2005**

(51) **LOC (8) Cl.** ..... **06-03**

(52) **U.S. Cl.** ..... **D6/397; D6/480; D21/480**

(58) **Field of Classification Search** ..... D21/334,  
D21/338, 339-341, 362, 392, 395, 397, 398,  
D21/404, 405, 468, 470, 475, 478-480, 519,  
D21/522; D6/384, 396, 397, 429, 449, 458,  
D6/462, 466, 475, 476, 480-490; D19/59,  
D19/61; 446/69, 71, 75, 85, 118, 482; 108/11,  
108/14, 25, 26, 27, 28, 50.11, 144.11, 147.19,  
108/151, 153.1, 154-156, 157.1, 157.16,  
108/159, 158.11, 158.12; 273/148 R, 148 A,  
273/309, 294, 153 R, 156, 157 R; 434/128,  
434/393, 403, 429, 432

See application file for complete search history.

(56) **References Cited**

**U.S. PATENT DOCUMENTS**

D26,317 S \* 11/1896 Kloman ..... D21/480  
D31,157 S \* 7/1899 Stover ..... D6/511  
D35,728 S \* 2/1902 Estes ..... D6/488  
D38,502 S \* 4/1907 Wright ..... D21/338  
2,476,535 A \* 7/1949 Bernhardt et al. .... 273/309

2,859,080 A \* 11/1958 Botnick ..... 108/139  
4,026,559 A \* 5/1977 Carlton ..... 273/157 R  
4,440,394 A \* 4/1984 Hicks et al. .... 273/157 R  
D351,300 S \* 10/1994 Cox ..... D6/487  
D357,149 S \* 4/1995 Uselman ..... D6/511  
5,440,857 A \* 8/1995 Shanok et al. .... 52/716.8  
D382,144 S \* 8/1997 Lo ..... D6/480  
6,626,678 B1 \* 9/2003 Forbes et al. .... 434/247

\* cited by examiner

*Primary Examiner*—Catherine Tuttle

(57) **CLAIM**

The ornamental design for the circular puzzle table set, as shown and described.

**DESCRIPTION**

FIG. 1 is a top perspective view showing the table, puzzle pieces and short leg elements of our new design for a circular puzzle table set in an assembled state;

FIG. 2 is a top plan view of the puzzle piece elements of the set in a separated state, the bottom plan view being a mirror image;

FIG. 3 is a perspective view of FIG. 2;

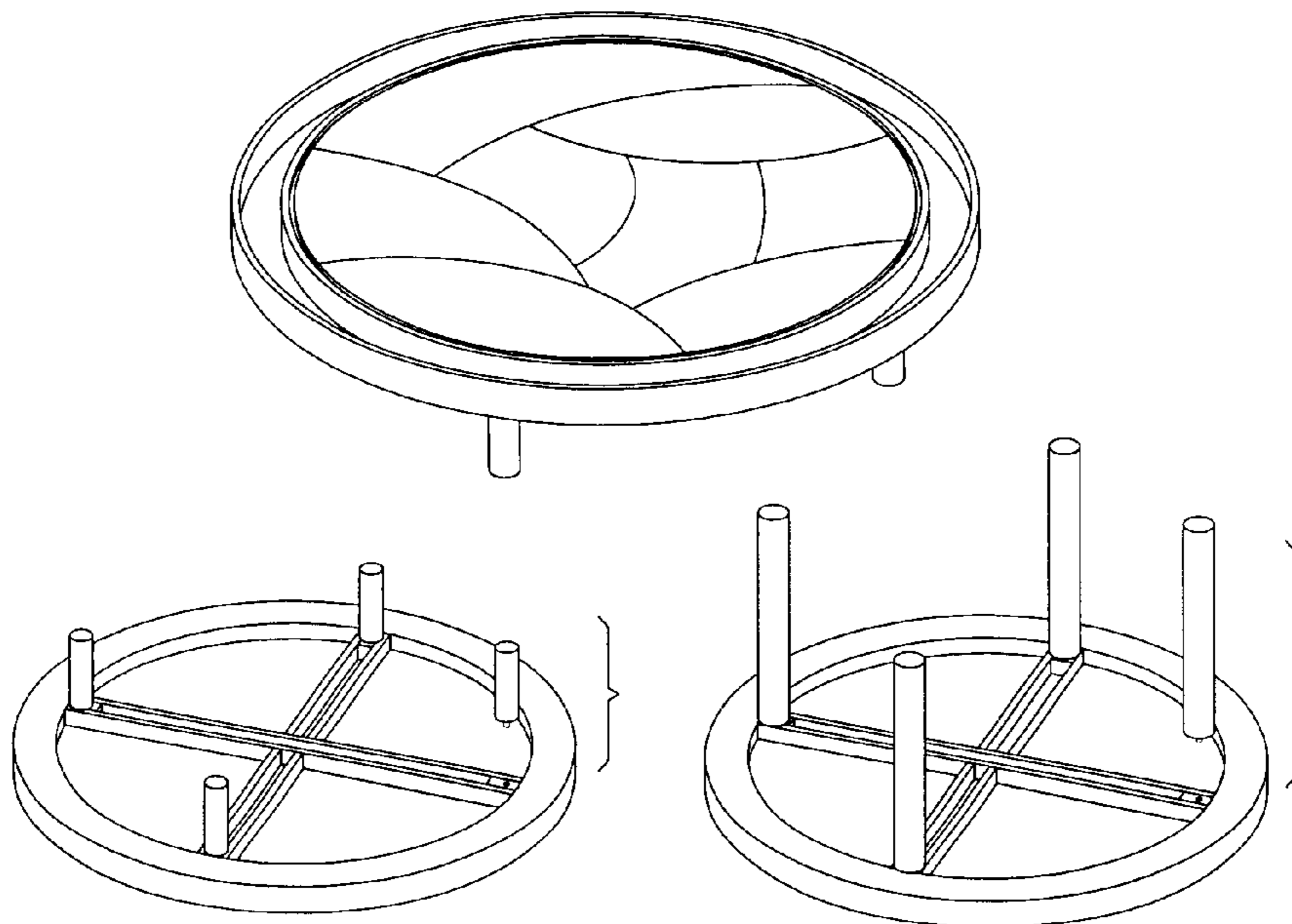
FIG. 4 is a bottom perspective view of the table and short leg elements of the set, showing one leg detached;

FIG. 5 is a bottom perspective view of the table and long leg elements of the set, showing one leg detached;

FIG. 6 is a top perspective view showing the table, puzzle pieces and long leg elements of the set with some of the puzzles pieces removed; and,

FIG. 7 is a top perspective view showing the table and long leg elements with all the puzzle pieces removed in order to disclose the underlying table top configuration.

**1 Claim, 2 Drawing Sheets**



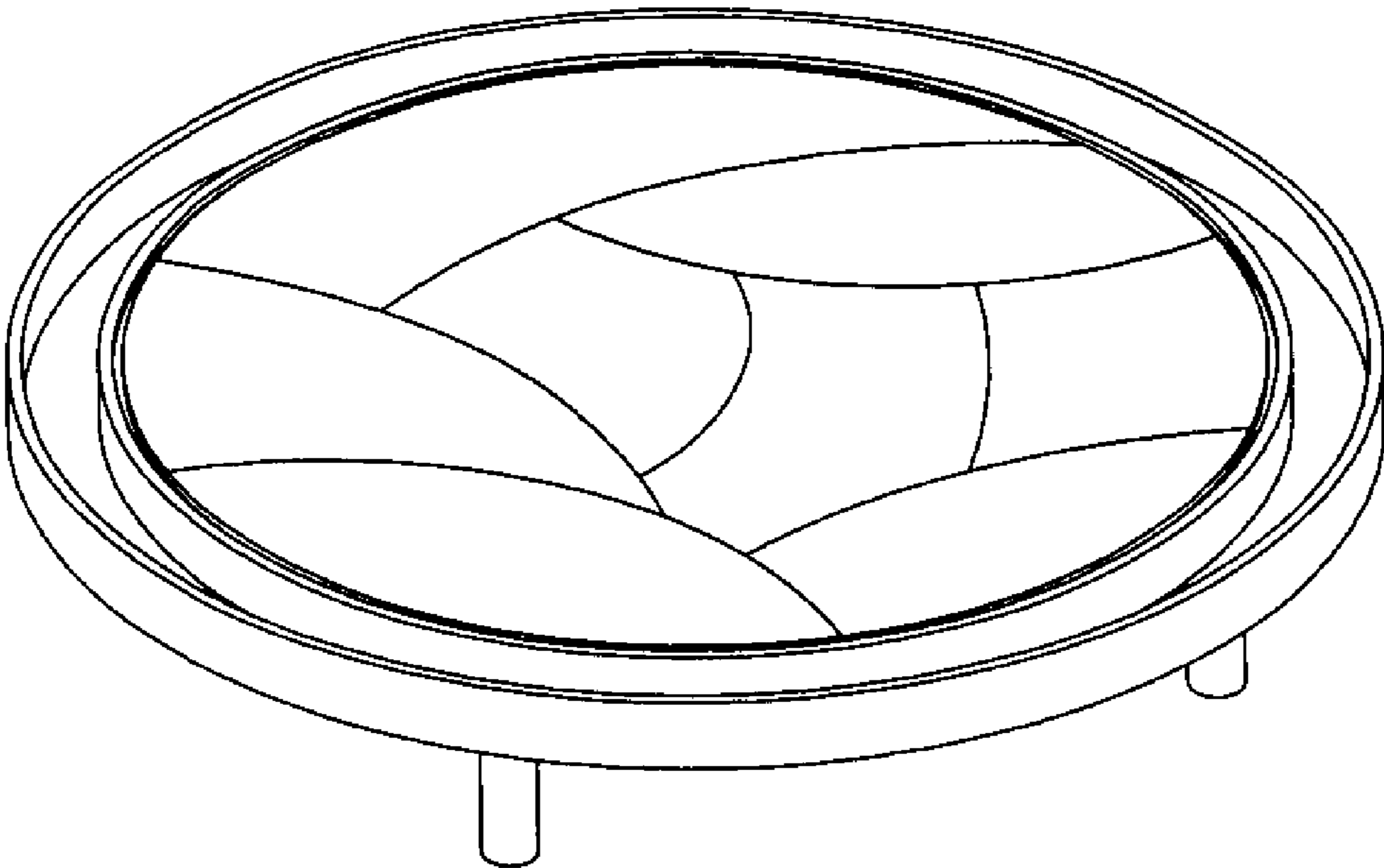


Fig. 1

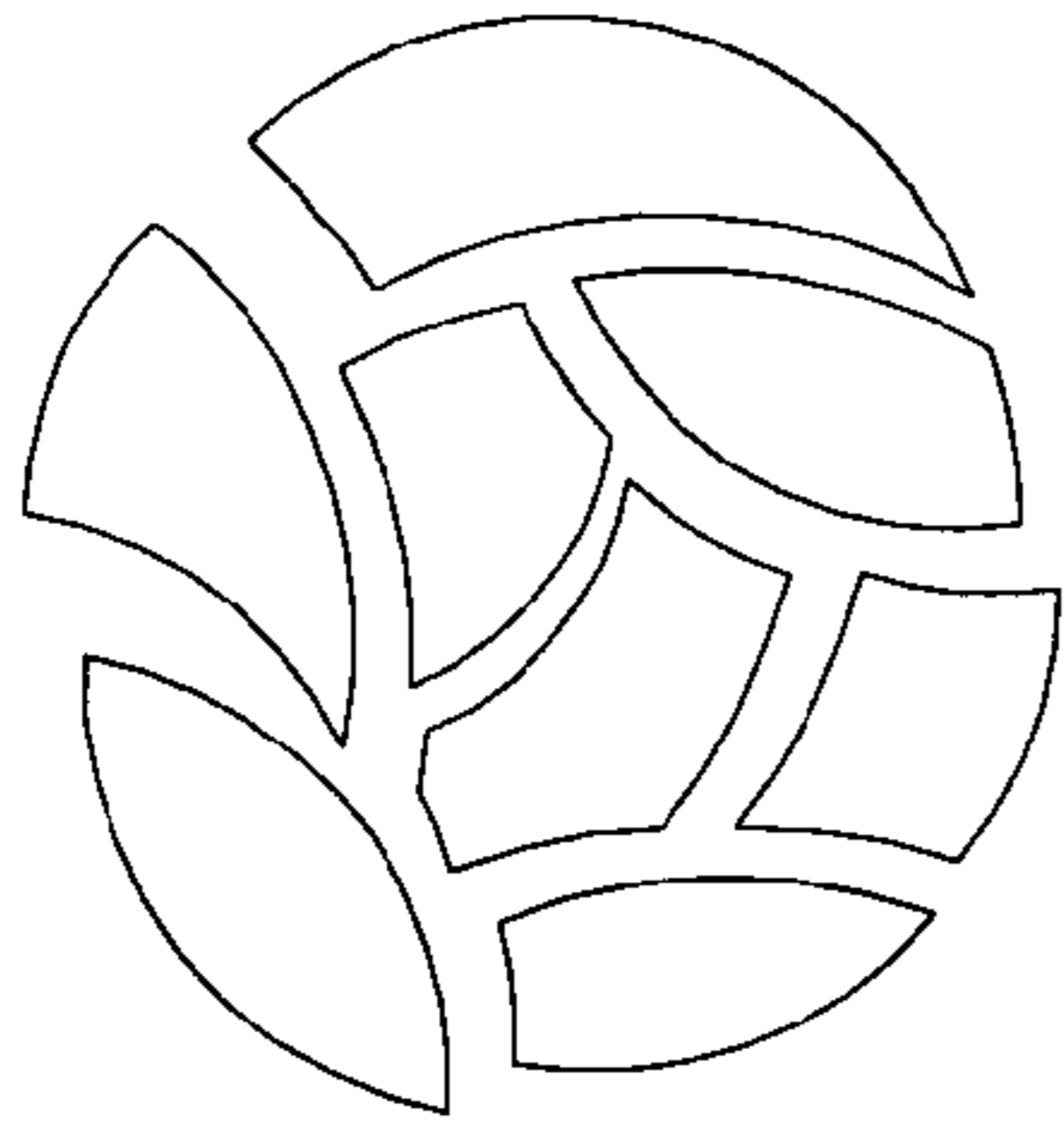


Fig. 2

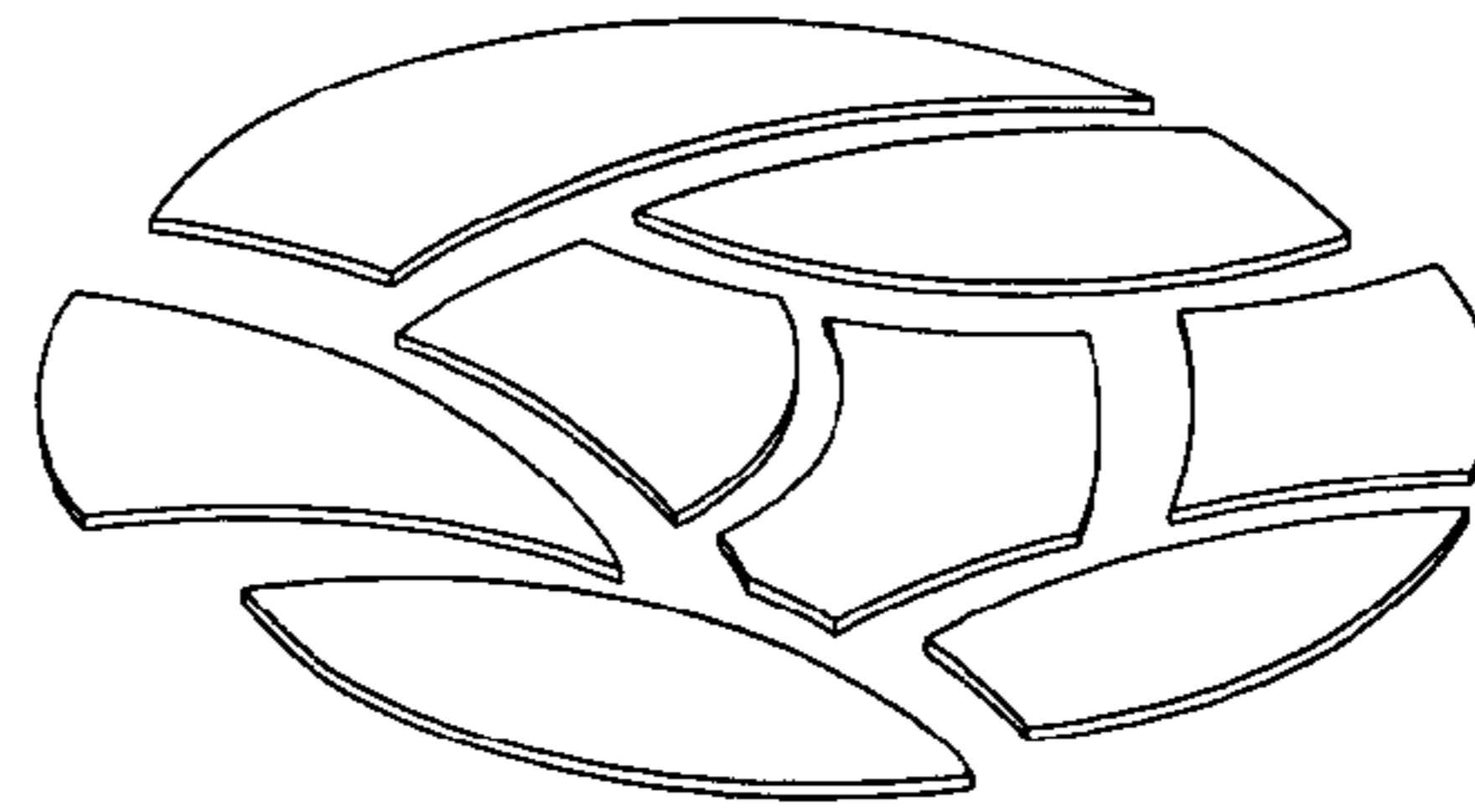


Fig. 3

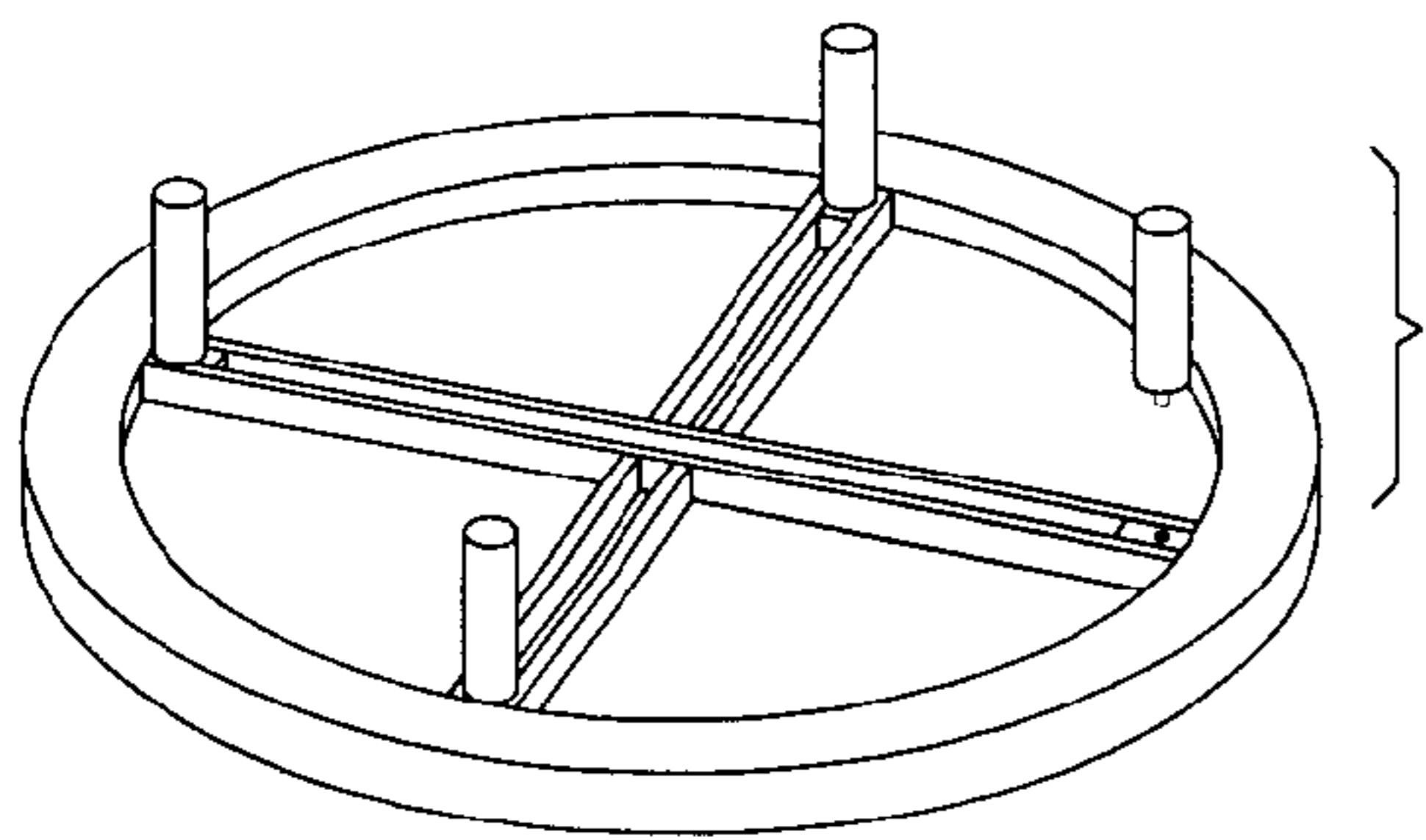


Fig. 4

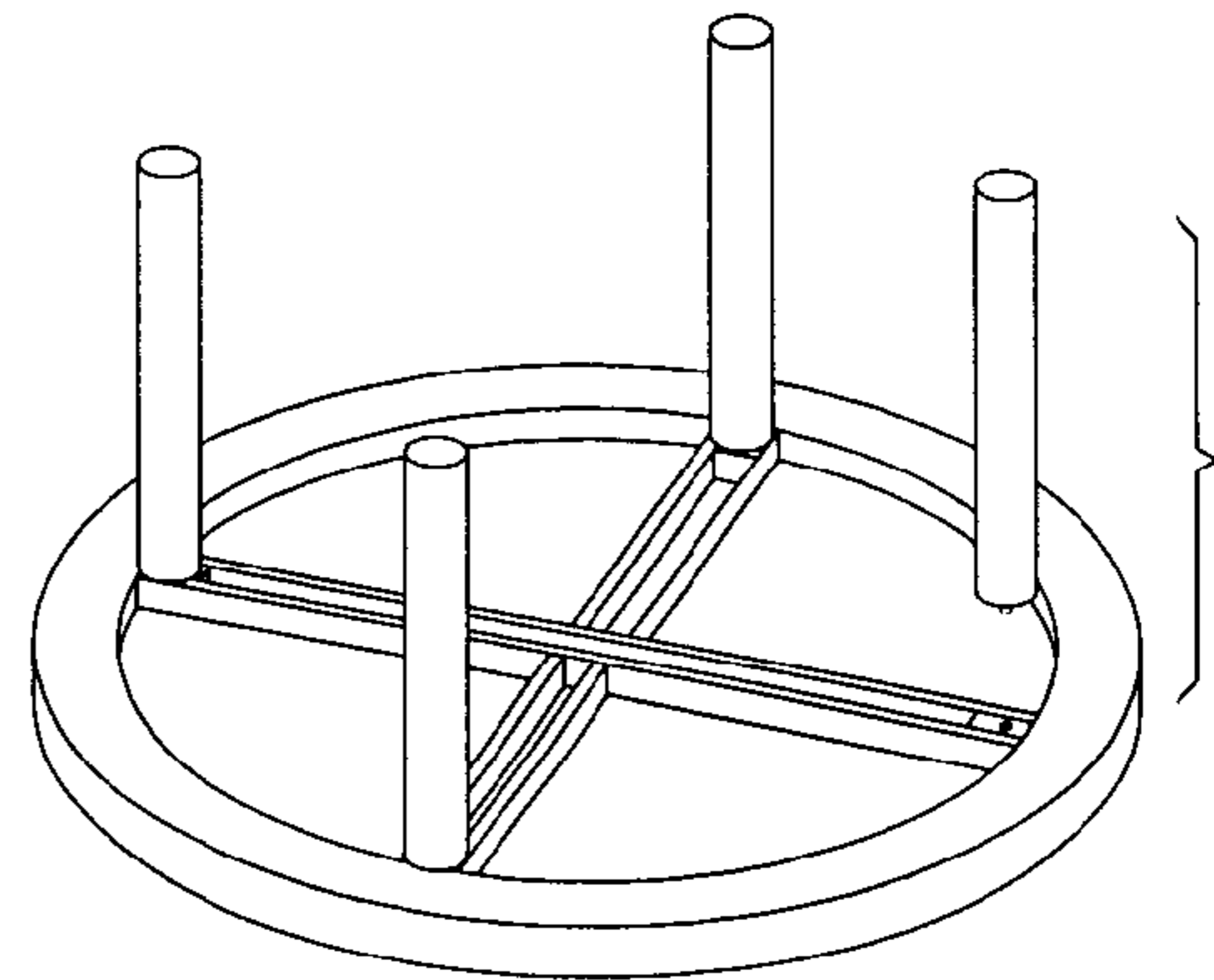


Fig. 5

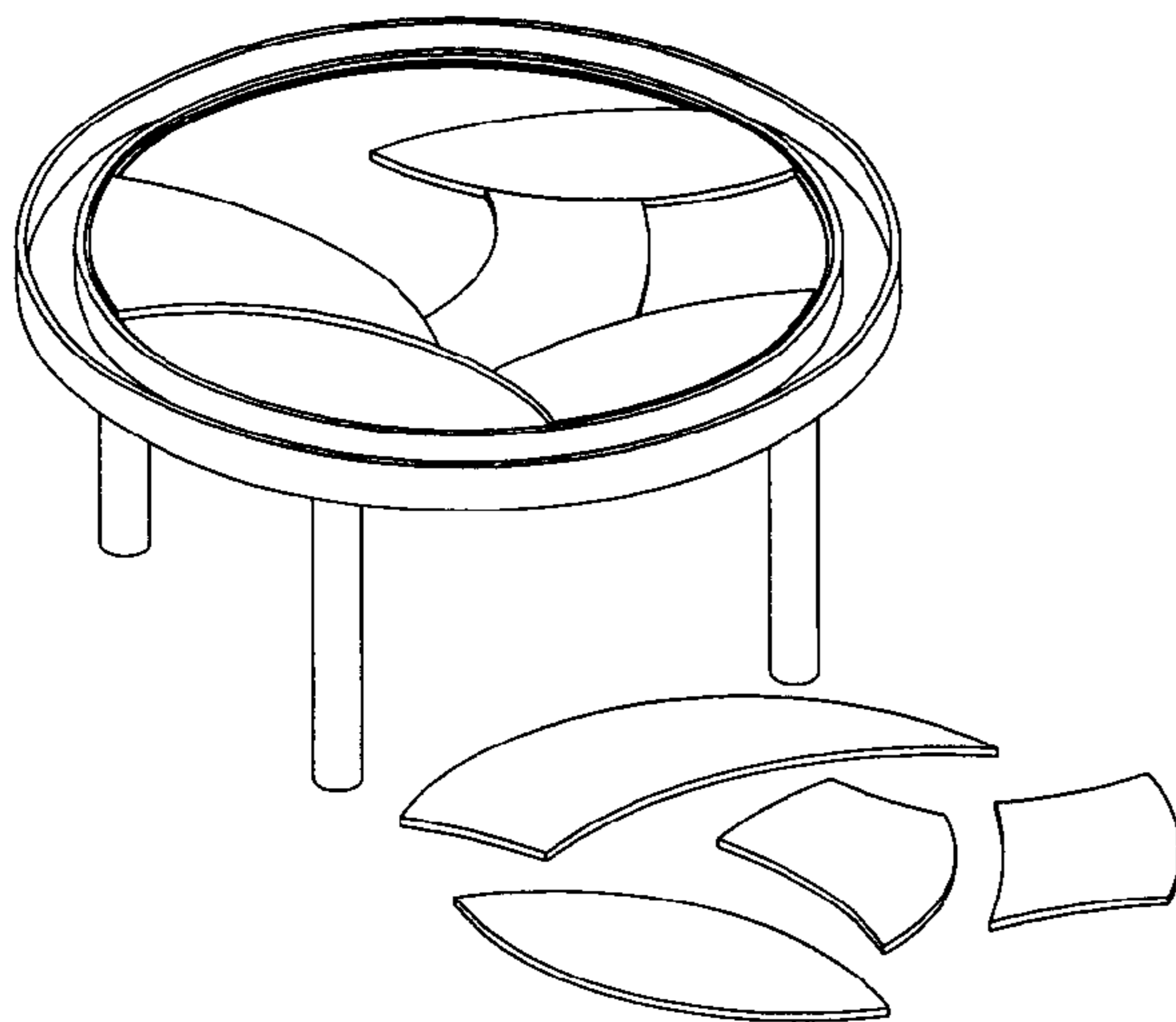


Fig. 6

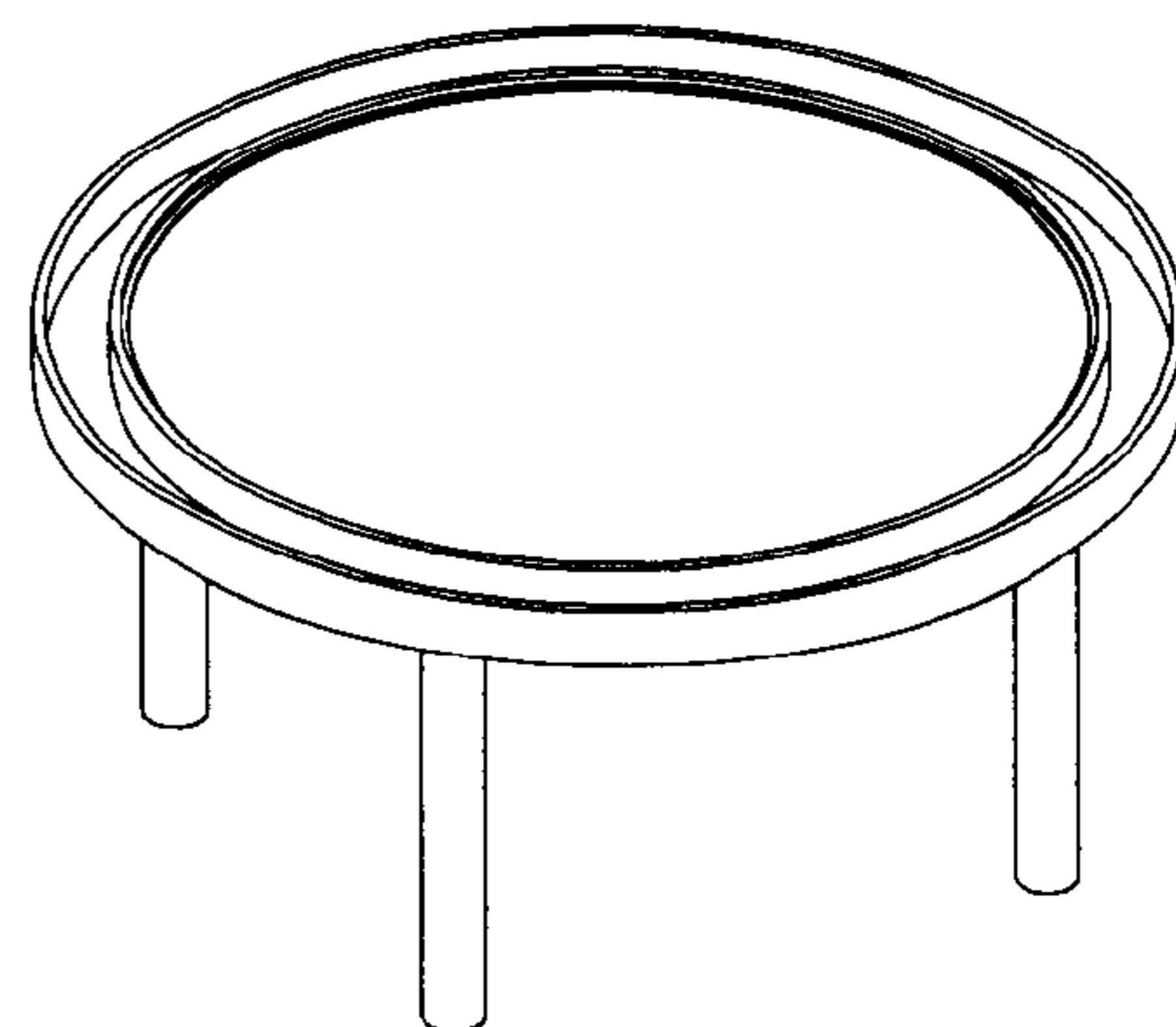


Fig. 7