



US00D519745S

(12) **United States Design Patent**
Stanton

(10) **Patent No.:** **US D519,745 S**

(45) **Date of Patent:** **** May 2, 2006**

(54) **BEDSTEAD**

(75) Inventor: **Shawn C. Stanton**, High Point, NC (US)

(73) Assignee: **Thomasville Furniture Industries, Inc.**, Thomasville, NC (US)

(**) Term: **14 Years**

(21) Appl. No.: **29/214,610**

(22) Filed: **Oct. 6, 2004**

(51) **LOC (8) Cl.** **06-01**

(52) **U.S. Cl.** **D6/389; D6/505**

(58) **Field of Classification Search** D6/382,
D6/388, 389, 393–395, 505–508; 5/53.1,
5/279.1, 280, 281, 310, 907

See application file for complete search history.

(56) **References Cited**

U.S. PATENT DOCUMENTS

D293,048 S	*	12/1987	Mann	D6/505
D376,054 S	*	12/1996	Bergelin	D6/389
D421,855 S	*	3/2000	McDaniel et al.	D6/393
D441,980 S	*	5/2001	McDaniel et al.	D6/393
D461,069 S		8/2002	Keller	D6/479
D488,014 S	*	4/2004	Stanton	D6/505
D502,021 S	*	2/2005	Christian	D6/393

OTHER PUBLICATIONS

Poster Bed, Cordova Collection brochure, Thomasville Furniture Industries, Inc., p. 2, 1999.

Renaissance Canopy Bed, Renaissance Collection brochure, Thomasville Furniture Industries, Inc., p. 4, 1996.

Acadia Poster Bed, River Roads Collection brochure, Thomasville Furniture Industries, Inc., p. 15, 2001.

Poster Bed, Trafalger Square Collection brochure, Thomasville Furniture Industries, Inc., p. 3, 2001.

Panel Headboard, Villa Soleil Collection brochure, Thomasville Furniture Industries, Inc., p. 11, 2003.

Bed, Theodore Alexander International Inc, date unknown, available as of the filing date.

Bed, Tuscany Collection, Julia Gray Ltd., date unknown, available as of the filing date.

* cited by examiner

Primary Examiner—Janice E. Seeger

(74) *Attorney, Agent, or Firm*—Womble Carlyle Sandridge & Rice, PLLC

(57) **CLAIM**

The ornamental design for a bedstead, as shown and described.

DESCRIPTION

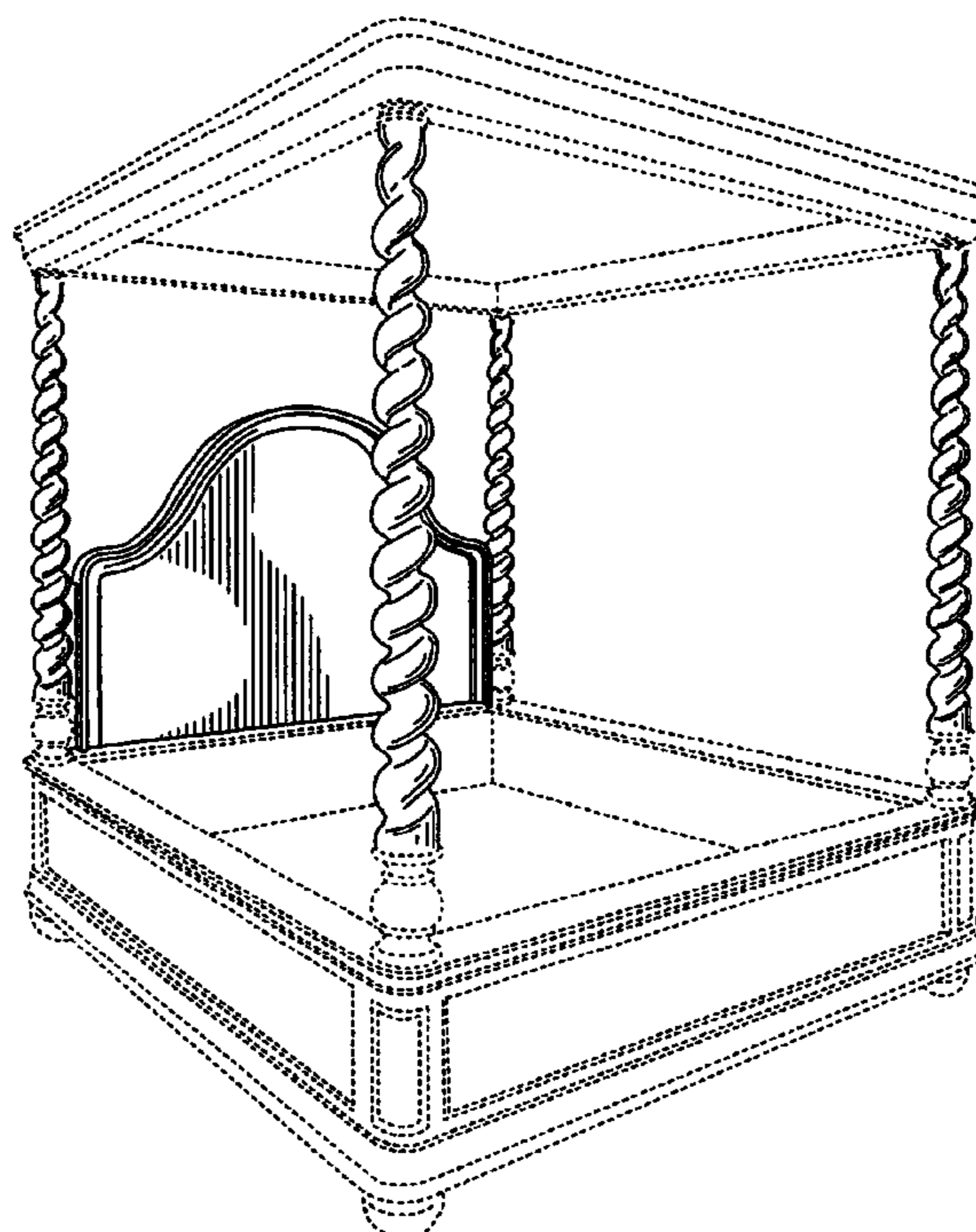
FIG. 1 is a perspective view of a bedstead showing my new design with a canopy in dashed lines;

FIG. 2 is a front elevational view thereof, with the finials in dashed lines; and,

FIG. 3 is a side elevational view, the opposite side being a mirror image thereof, with the finials in dashed lines.

The views of the bedstead not shown form no part of the claimed design. The broken lines depicting a canopy, finials, feet and the bed base represent environmental elements only and form no part of the claimed design.

1 Claim, 3 Drawing Sheets



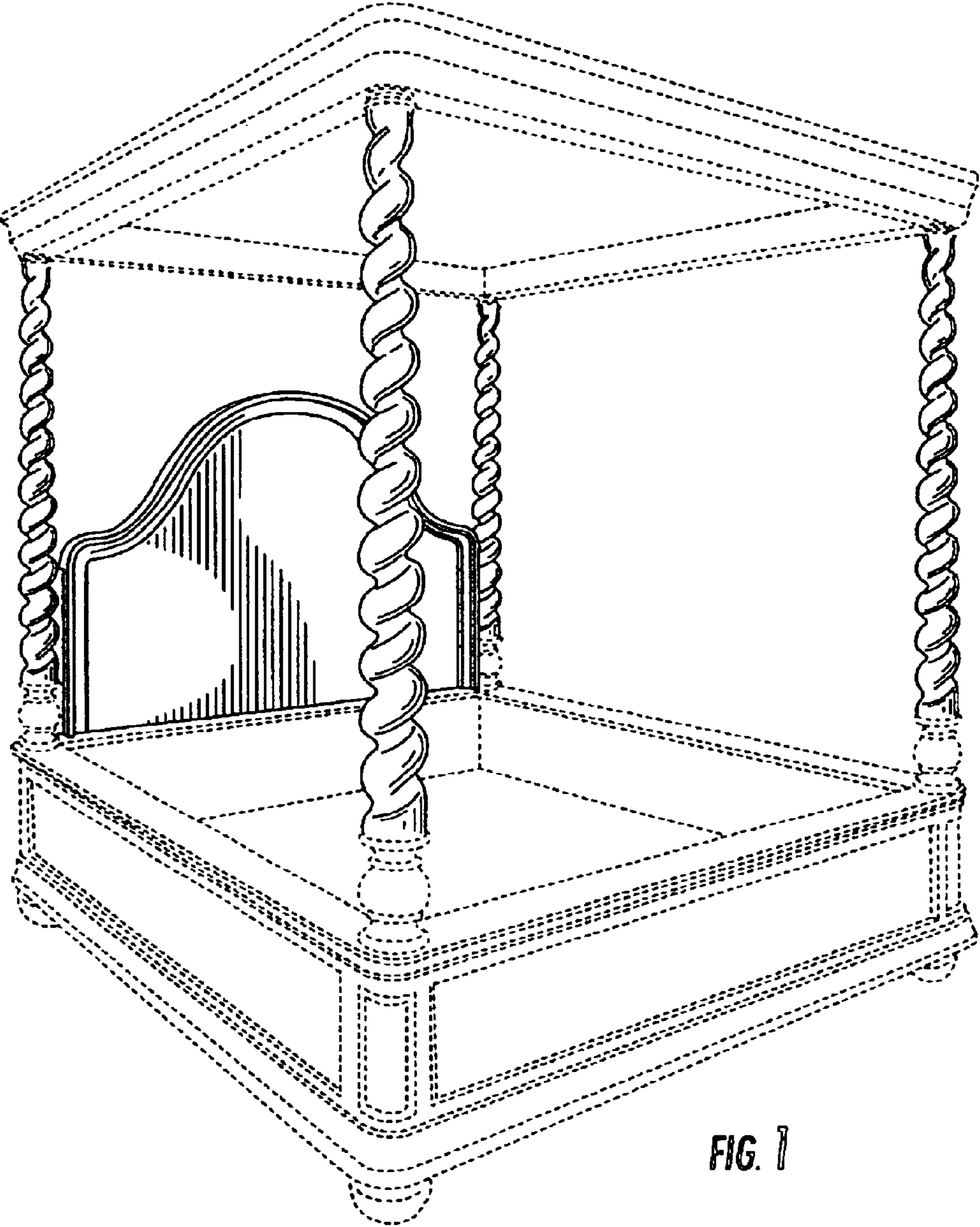


FIG. 1

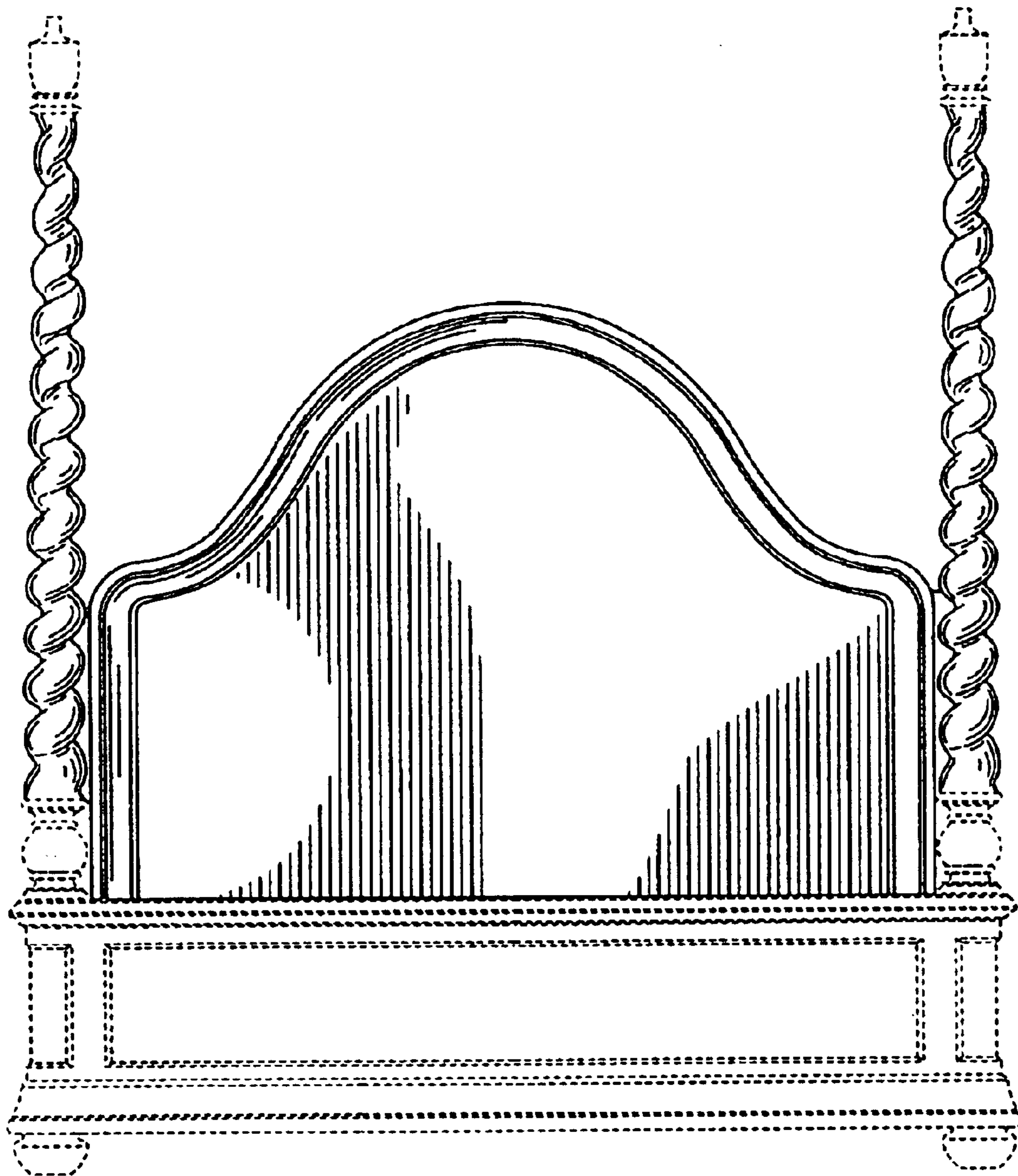


FIG. 2

