



US00D519743S

(12) **United States Design Patent**
Suzuki et al.

(10) **Patent No.:** **US D519,743 S**

(45) **Date of Patent:** **** May 2, 2006**

(54) **SOFA**

(75) Inventors: **Masaru Suzuki**, Brooklyn, NY (US);
Jennifer Hutton, New York, NY (US)

(73) Assignee: **Donghia Furniture/Textiles Ltd.**, New York, NY (US)

(**) Term: **14 Years**

(21) Appl. No.: **29/203,251**

(22) Filed: **Apr. 12, 2004**

(51) **LOC (8) Cl.** **06-01**

(52) **U.S. Cl.** **D6/381**

(58) **Field of Classification Search** D6/334-336,
D6/381, 364, 500-502, 371; 297/232, 445.1,
297/446.1; 5/12.1

See application file for complete search history.

(56) **References Cited**

U.S. PATENT DOCUMENTS

D338,567 S	8/1993	Hutton	D6/381
D339,246 S	* 9/1993	Hutton	D6/377
D382,129 S	* 8/1997	Lewis	D6/381
D388,630 S	* 1/1998	Lowman et al.	D6/381
D390,029 S	* 2/1998	Hutton	D6/377
D403,167 S	* 12/1998	Hutton	D6/334
D404,212 S	1/1999	Hutton	D6/381
D422,159 S	* 4/2000	Lewis	D6/381
D423,244 S	* 4/2000	Hutton	D6/381

D427,445 S	* 7/2000	Gomez	D6/377
D427,448 S	* 7/2000	Natuzzi et al.	D6/381
D431,381 S	* 10/2000	Gomez	D6/361
D437,502 S	2/2001	Hutton	D6/381
D439,071 S	* 3/2001	D'Urso et al.	D6/381
D459,605 S	* 7/2002	Greene	D6/381
D459,606 S	* 7/2002	Gibson	D6/381
D490,630 S	* 6/2004	Pesso	D6/492
D499,568 S	* 12/2004	Ricci	D6/381

* cited by examiner

Primary Examiner—Sandra S. Snapp

(74) *Attorney, Agent, or Firm*—Heslin Rothenberg Farley & Mesiti P.C.

(57) **CLAIM**

The ornamental design for a sofa, as shown and described.

DESCRIPTION

FIG. 1 is a perspective view of a sofa comprising the new design;

FIG. 2 is a top view thereof;

FIG. 3 is a front view thereof;

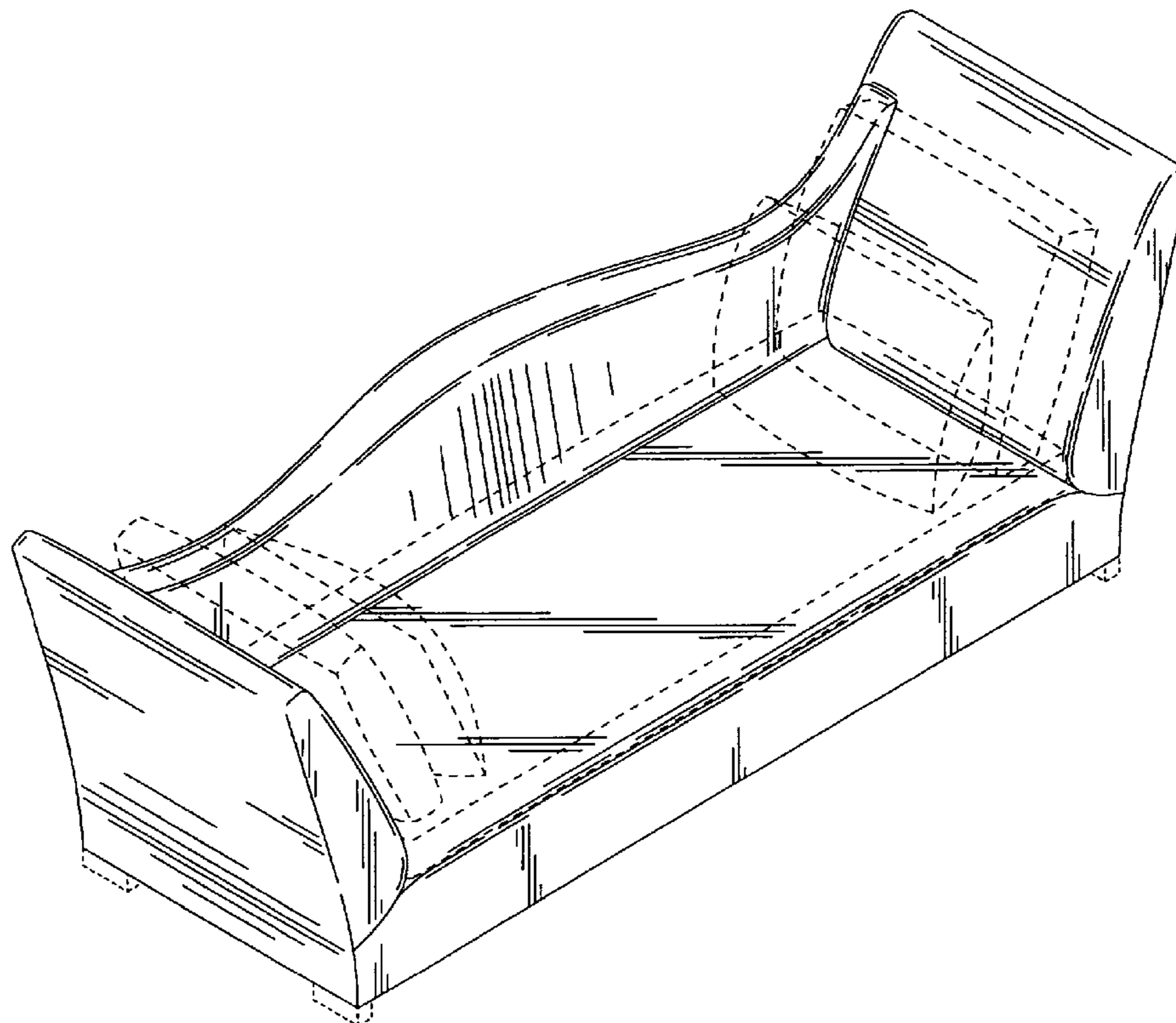
FIG. 4 is a right side view thereof;

FIG. 5 is a rear view thereof; and,

FIG. 6 is a front view of an alternative embodiment of said new design having an indeterminable width.

The broken lines in the figures are for illustrative purposes only and form no part of the claimed invention.

1 Claim, 6 Drawing Sheets



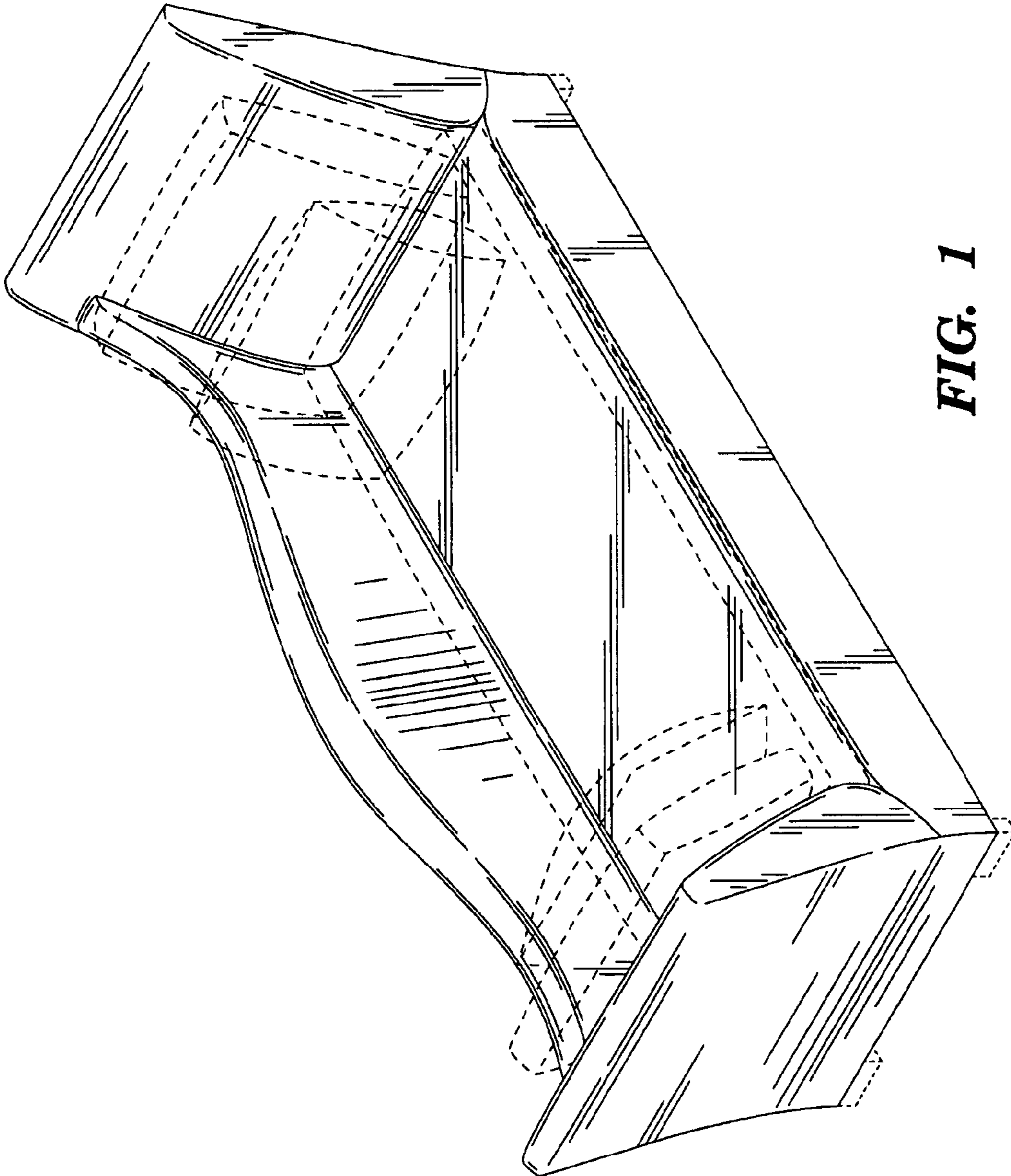


FIG. 1

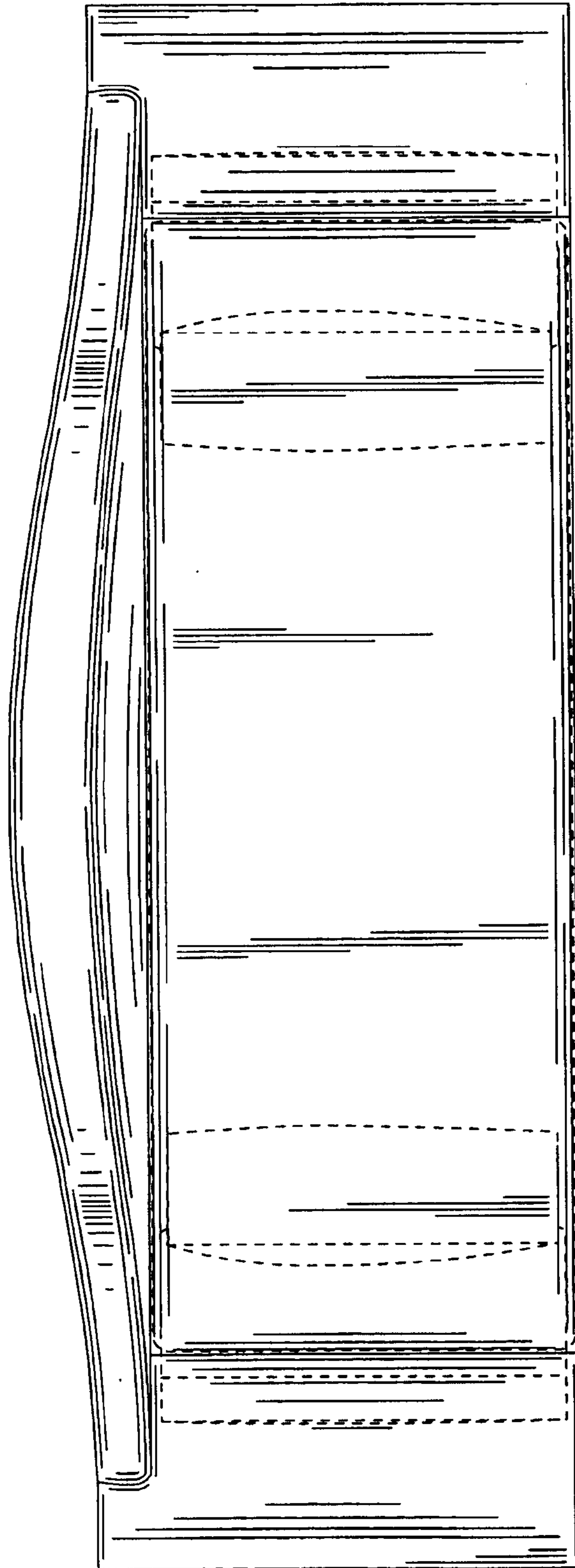


FIG. 2

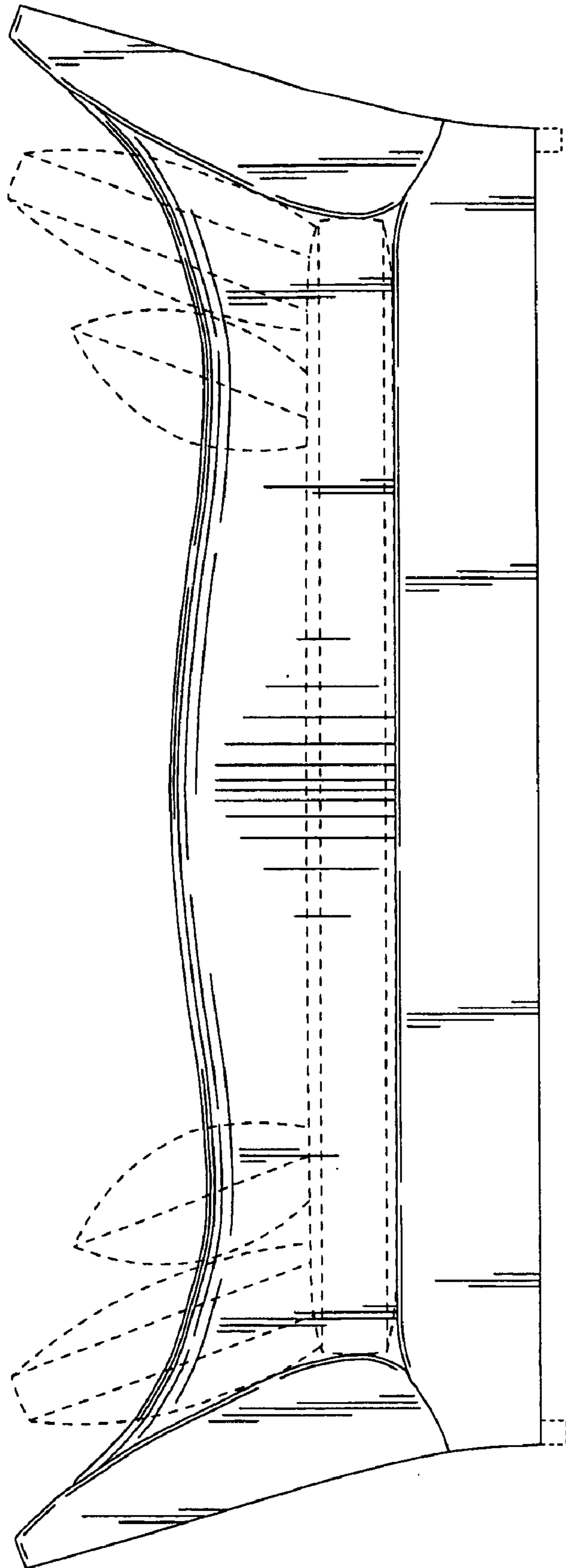


FIG. 3

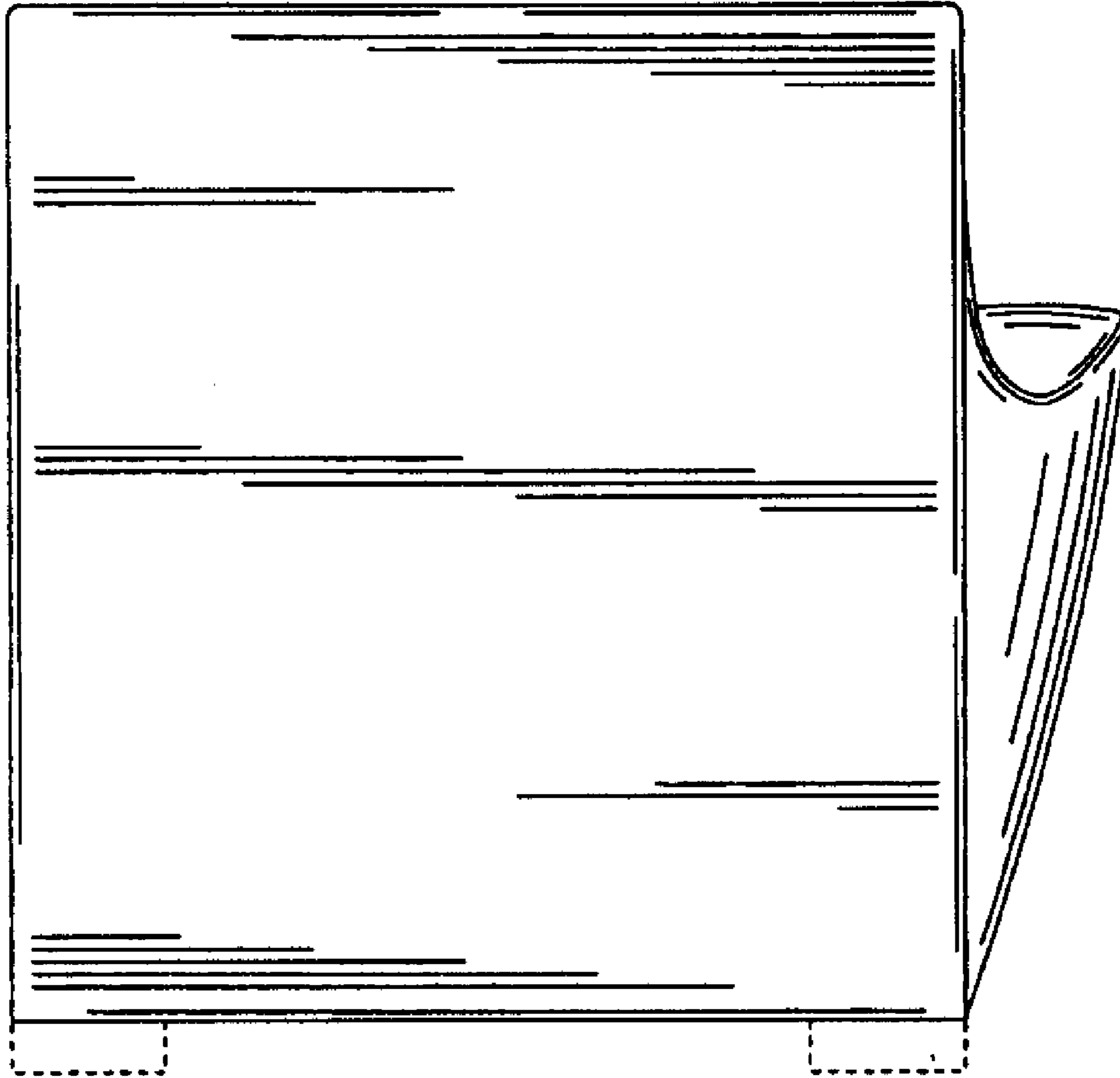


FIG. 4

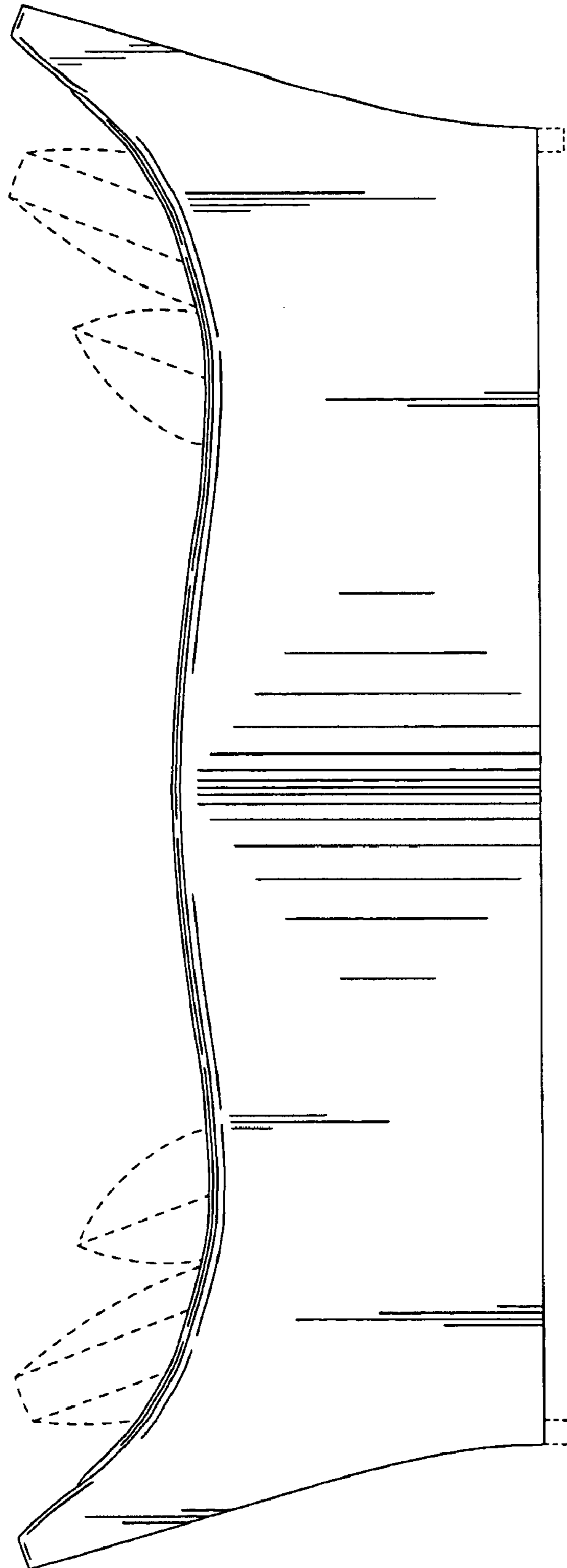


FIG. 5

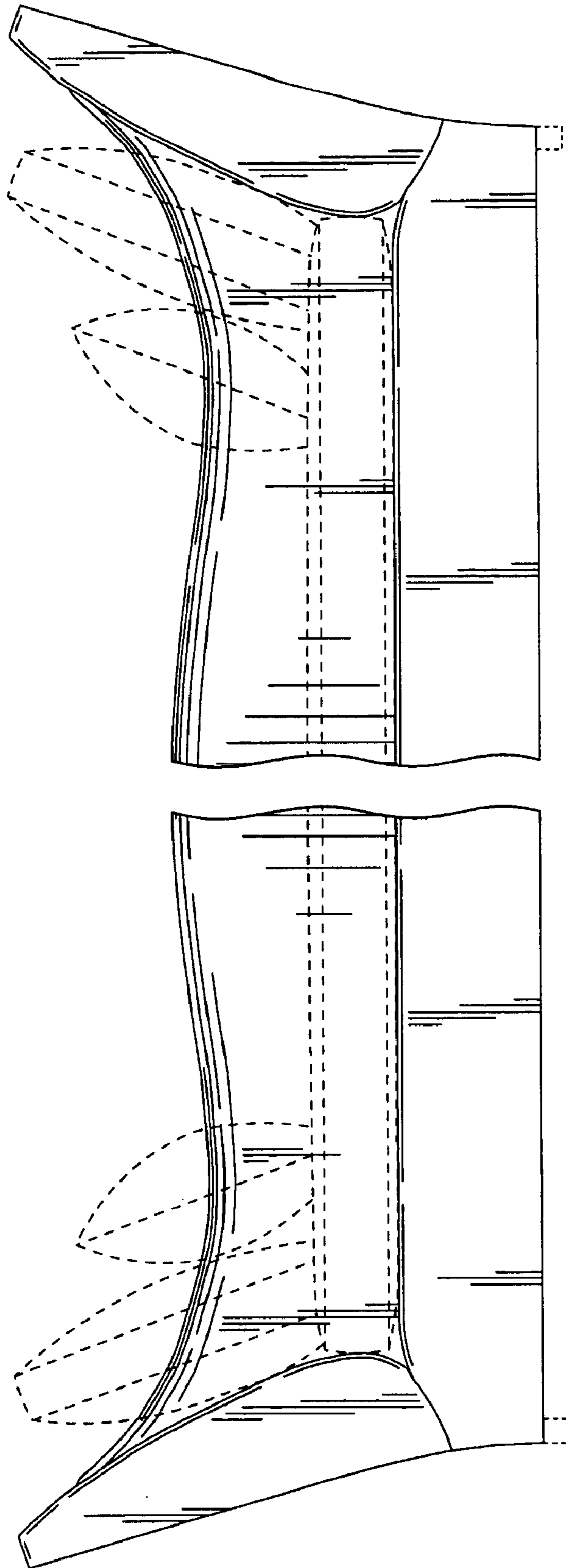


FIG. 6