



US00D519738S

(12) **United States Design Patent**
Baertschi

(10) **Patent No.:** **US D519,738 S**

(45) **Date of Patent:** **** May 2, 2006**

(54) **FOLDING TRAVEL TOOTHBRUSH HANDLE**

DESCRIPTION

(75) Inventor: **Armin Baertschi**, Winznau (CH)

(73) Assignee: **Colgate-Palmolive Company**, New York, NY (US)

(**) Term: **14 Years**

(21) Appl. No.: **29/180,129**

(22) Filed: **Apr. 18, 2003**

(51) **LOC (8) Cl.** **04-02**

(52) **U.S. Cl.** **D4/108; D4/121**

(58) **Field of Classification Search** D4/104-112,
D4/121, 132, 134, 138; 15/143.1, 159.1,
15/167.1, 167.2, 184, 185; 16/430; 132/308,
132/309, 311

See application file for complete search history.

(56) **References Cited**

U.S. PATENT DOCUMENTS

1,296,186	A	3/1919	Hines	
D53,453	S	6/1919	Lloyd	
2,168,689	A	8/1939	Smith et al.	
2,247,003	A *	6/1941	Smith et al.	15/185 X
2,505,547	A	4/1950	Howard	
3,763,869	A	10/1973	Sanders	
D300,690	S	4/1989	Ambasz	
4,924,547	A *	5/1990	Wachtel et al.	15/185

(Continued)

FOREIGN PATENT DOCUMENTS

DE	29914169	U1 *	6/2000
EP	56069	A1 *	7/1982
FR	279018		2/1927
GB	1 396 634		6/1975
IT	558243		2/1957

Primary Examiner—Alan P. Douglas

Assistant Examiner—Lavone D. Tabor

(74) *Attorney, Agent, or Firm*—Harris A. Wolin

(57) **CLAIM**

The ornamental design for a folding travel toothbrush handle, as shown and described.

FIG. 1 is a front elevation view of a folding travel toothbrush handle of my new design, shown in a completely open configuration;

FIG. 2 is a left side elevation view thereof, the right side being a mirror image thereof;

FIG. 3 is a back elevation view thereof;

FIG. 4 is a top view thereof;

FIG. 5 is a bottom view thereof;

FIG. 6 is front, left side perspective view thereof, as seen from the bottom end thereof;

FIG. 7 is a back, right side perspective view thereof, as seen from the bottom end thereof;

FIG. 8 is a front elevation view of the travel toothbrush handle of my new design, shown in the configuration for brushing the teeth.

FIG. 9 is a left side elevation view thereof, the right side being a mirror image thereof;

FIG. 10 is a back elevation view thereof;

FIG. 11 is a top view thereof;

FIG. 12 is a bottom view thereof;

FIG. 13 is front, left side perspective view thereof, as seen from the bottom thereof.

FIG. 14 is back, right side perspective view thereof, as seen from the bottom thereof.

FIG. 15 is a front elevation view of the travel toothbrush handle of my new design, shown in the closed configuration used for traveling.

FIG. 16 is a left side elevation view thereof, the right side being a mirror image thereof;

FIG. 17 is a back elevation view thereof;

FIG. 18 is a top view thereof;

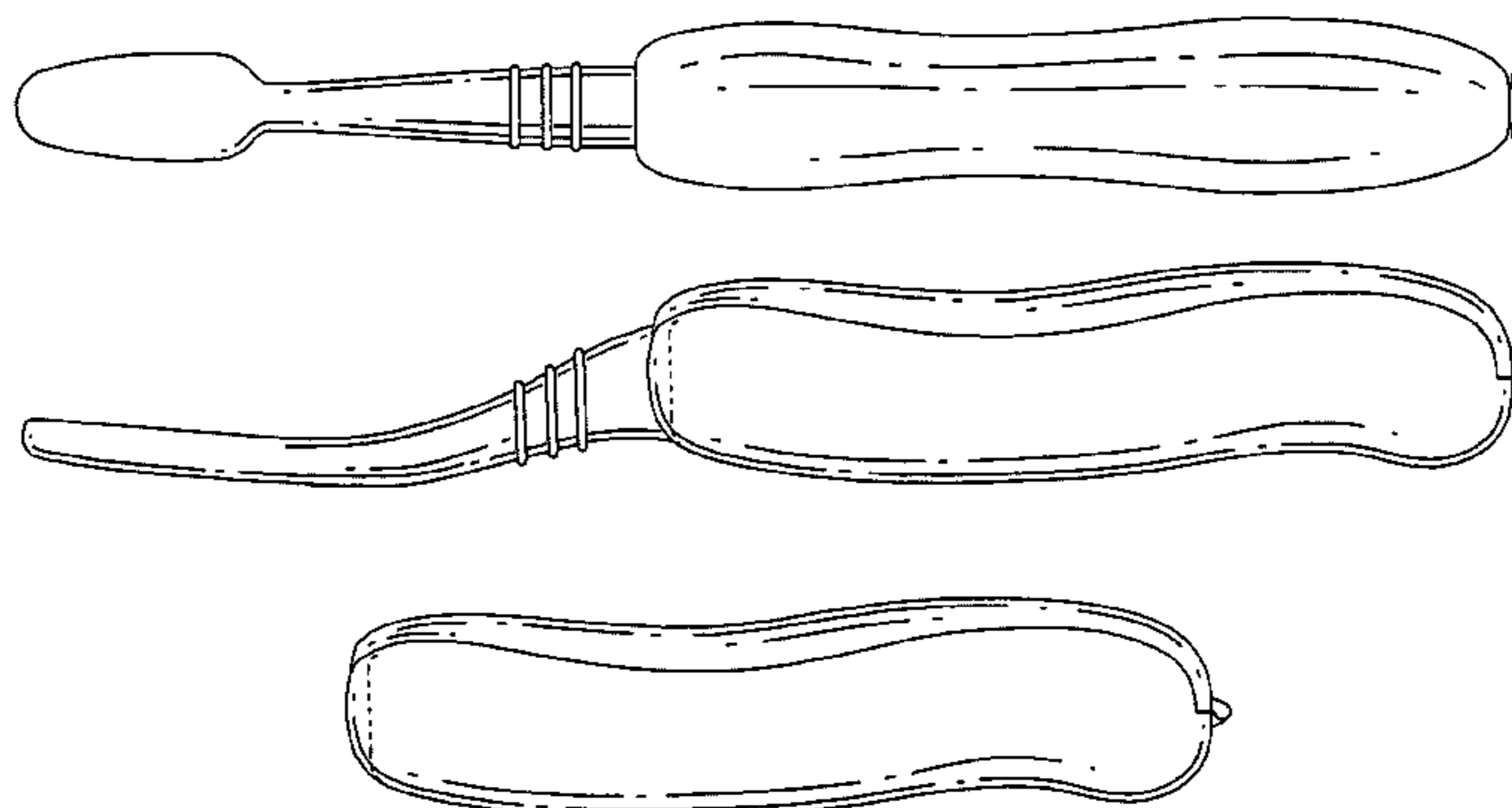
FIG. 19 is a bottom view thereof;

FIG. 20 is front, left side perspective view thereof, as seen from the bottom thereof; and,

FIG. 21 is back, right side perspective view thereof, as seen from the bottom thereof.

The broken lines shown near the proximal end of the grip portion in some of the views are for illustrative purposes only and form no part of the claimed design.

1 Claim, 9 Drawing Sheets



US D519,738 S

Page 2

U.S. PATENT DOCUMENTS		5,735,298 A * 4/1998	Mayne et al.	132/309
D333,919 S *	3/1993 Perry	D4/108		
D346,496 S	5/1994 Berghash et al.			
D381,809 S	8/1997 Chee et al.			
				* cited by examiner

FIG. 1

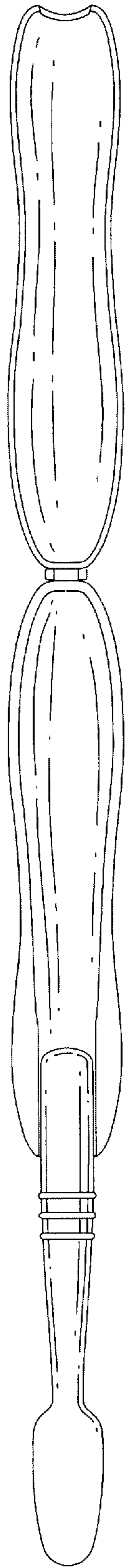


FIG. 2



FIG. 3

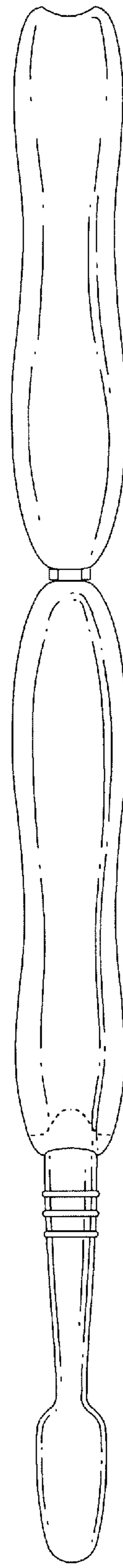


FIG. 5

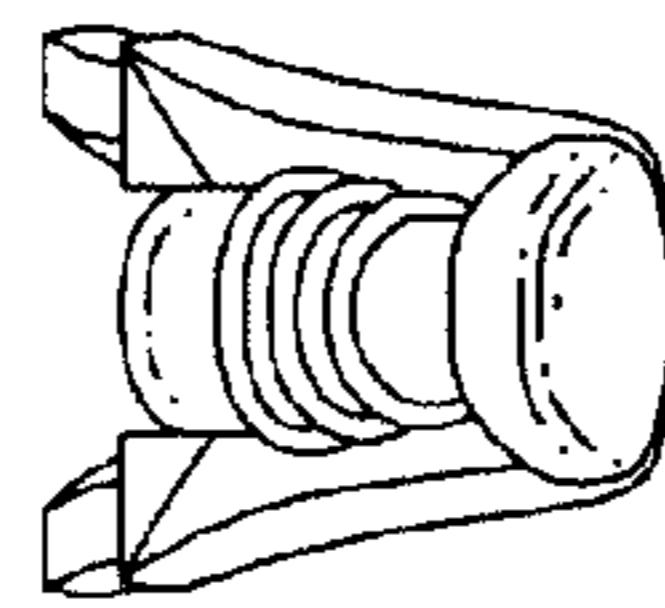
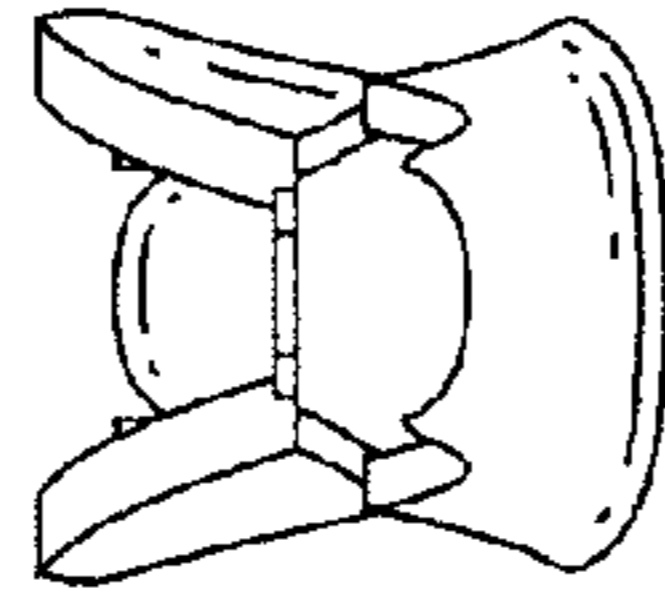


FIG. 4

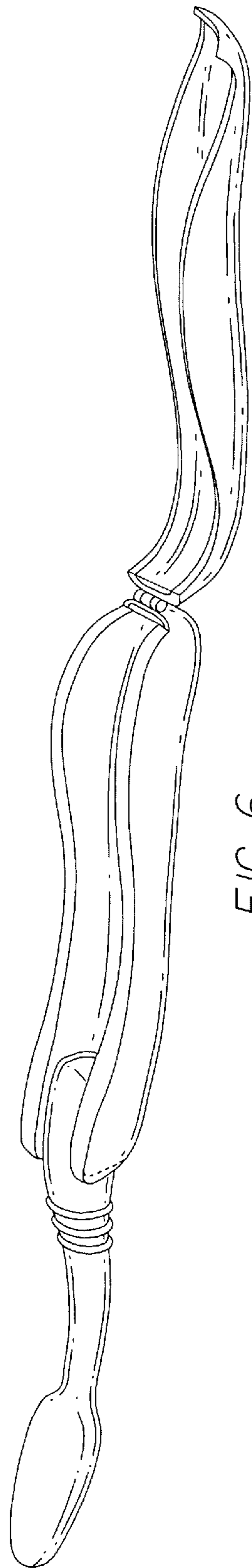


FIG. 6

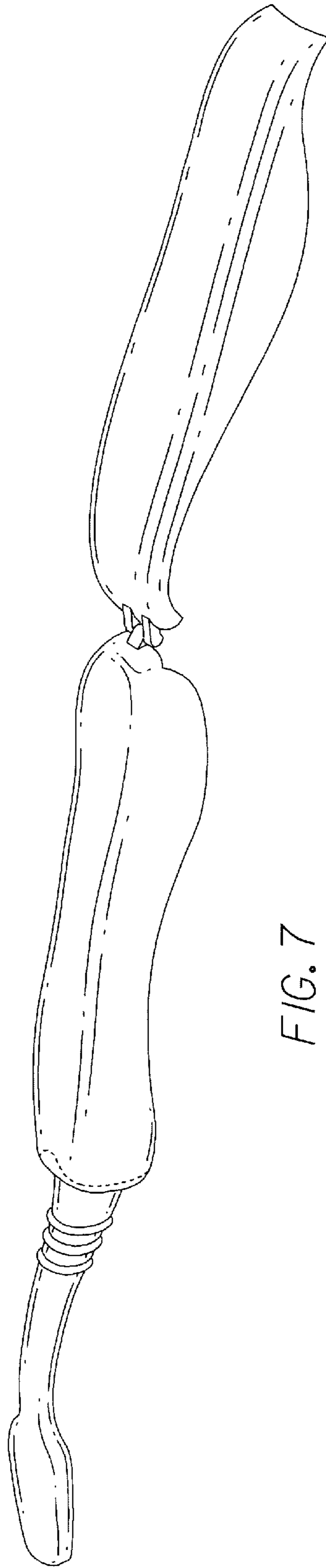


FIG. 7

FIG. 8

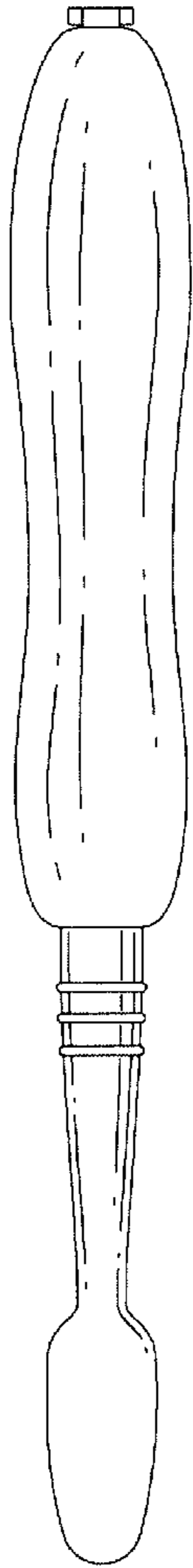


FIG. 9

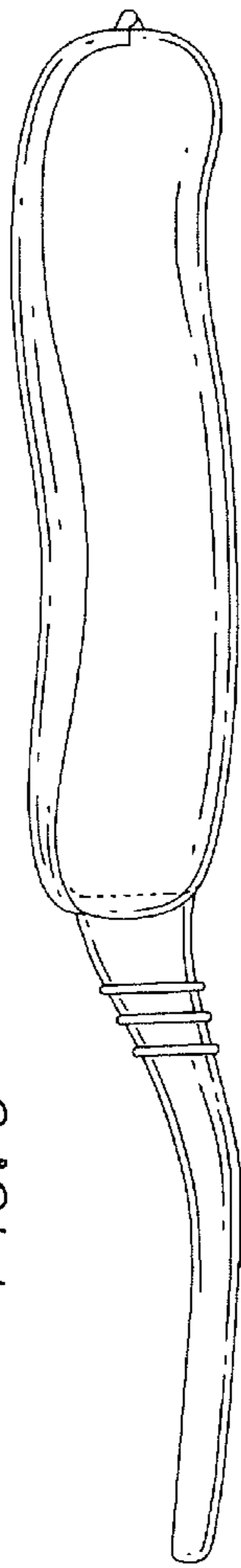


FIG. 10



FIG. 12

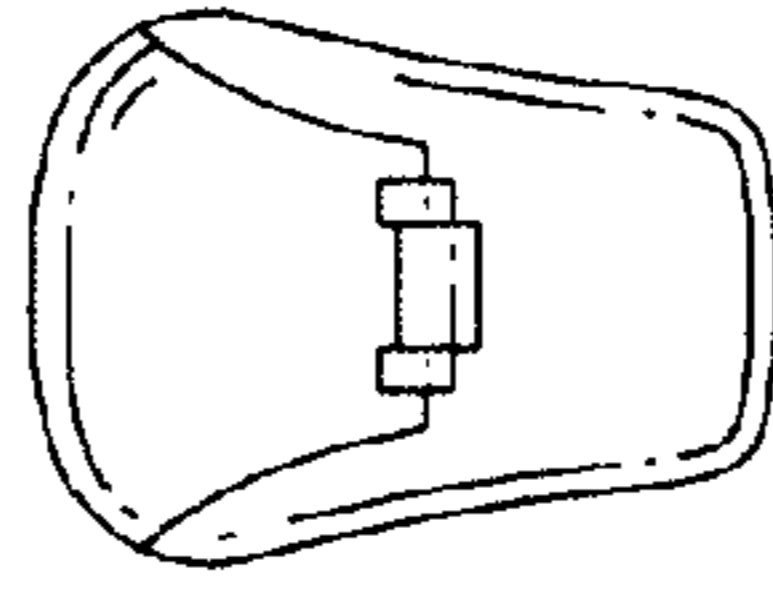
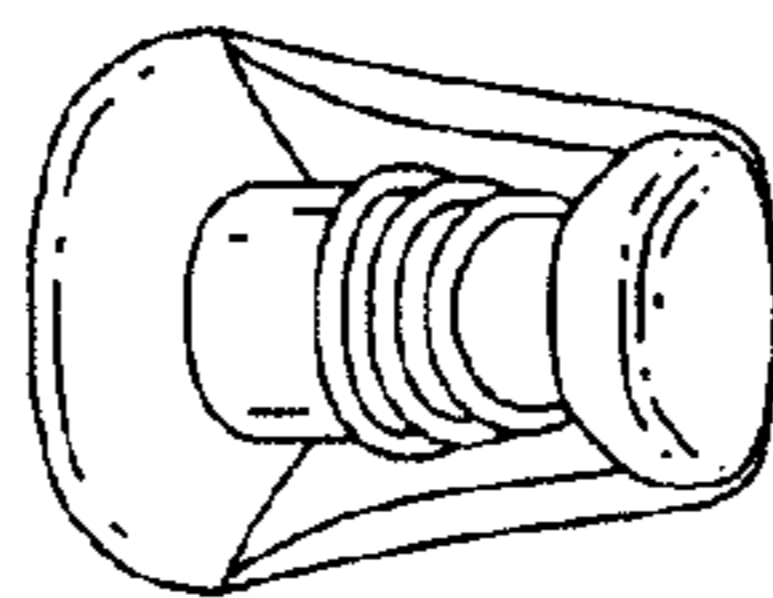


FIG. 11



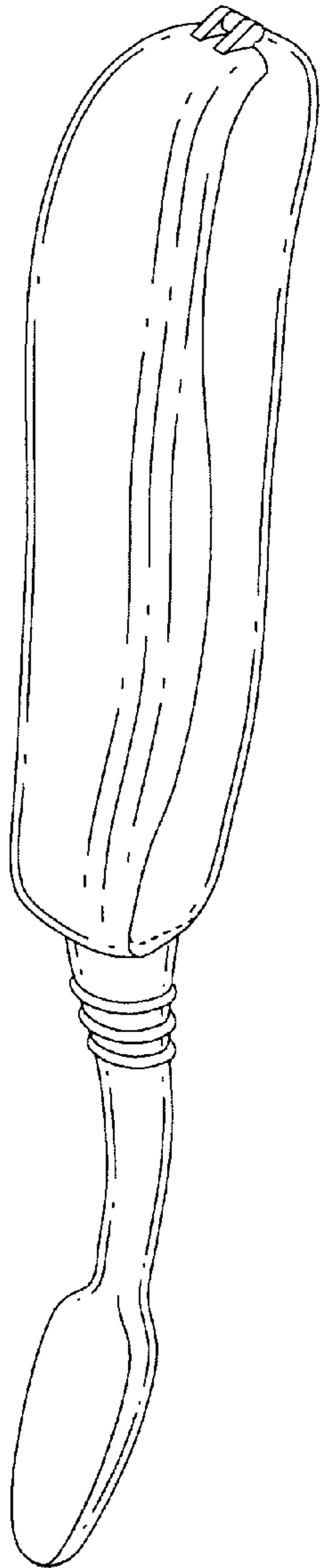


FIG. 13

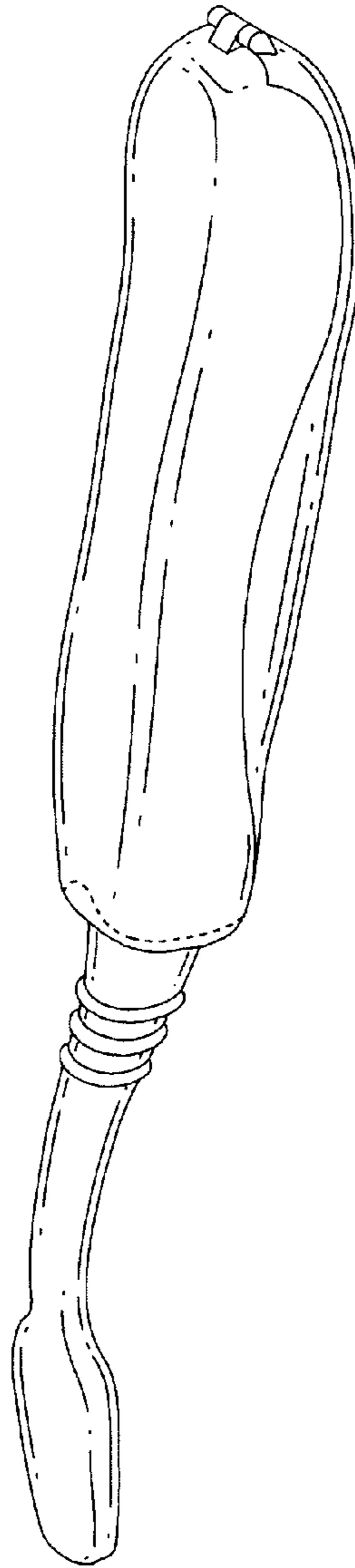


FIG. 14

FIG. 15



FIG. 16



FIG. 17

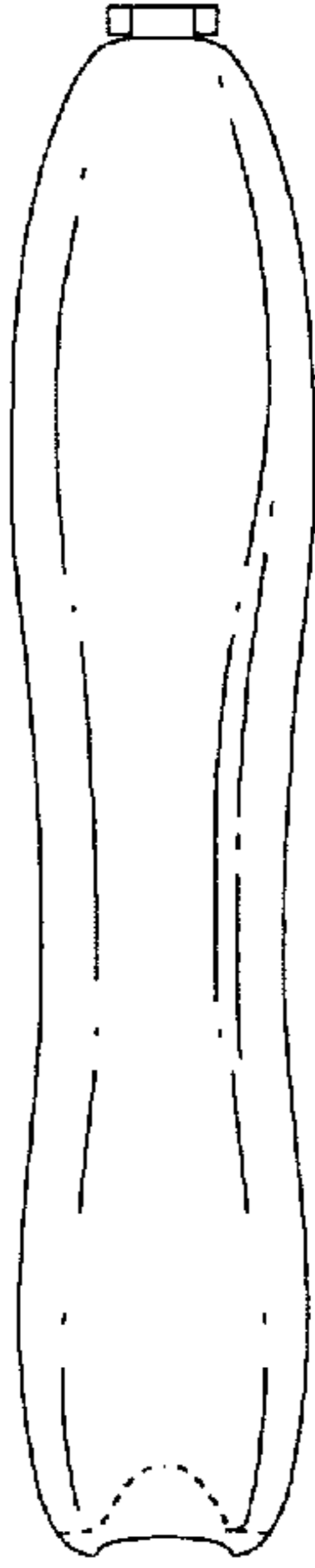


FIG. 19

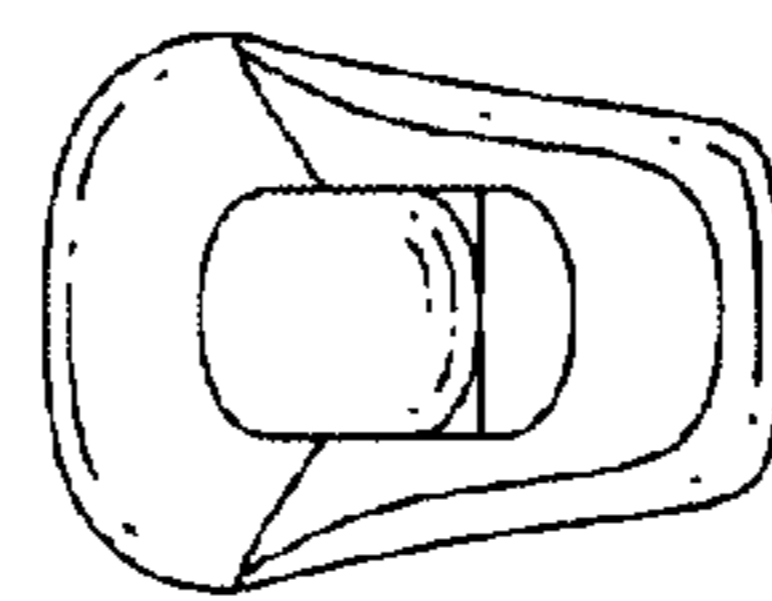
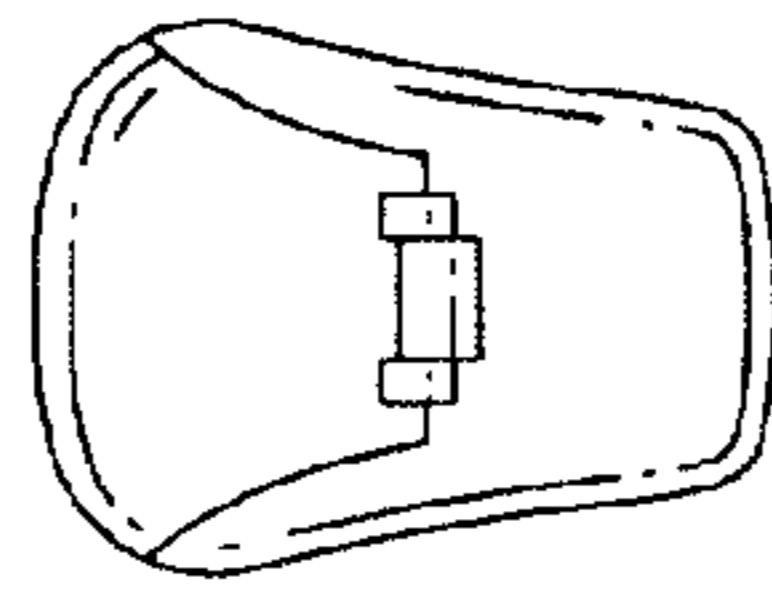


FIG. 18

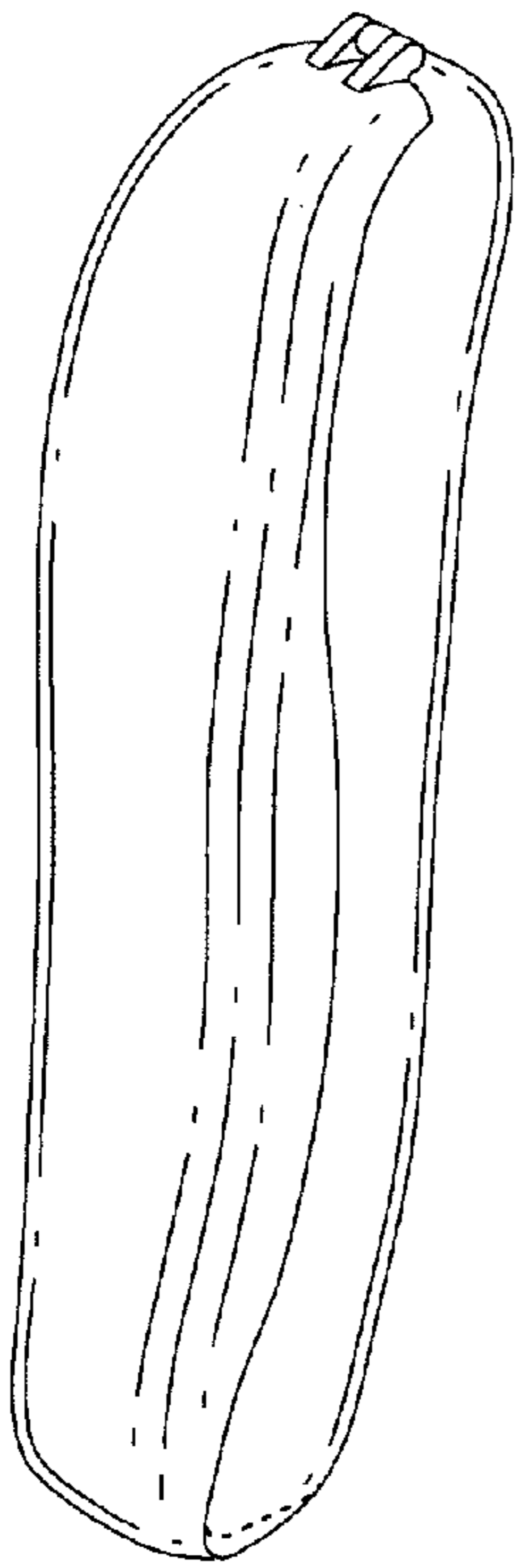


FIG. 20

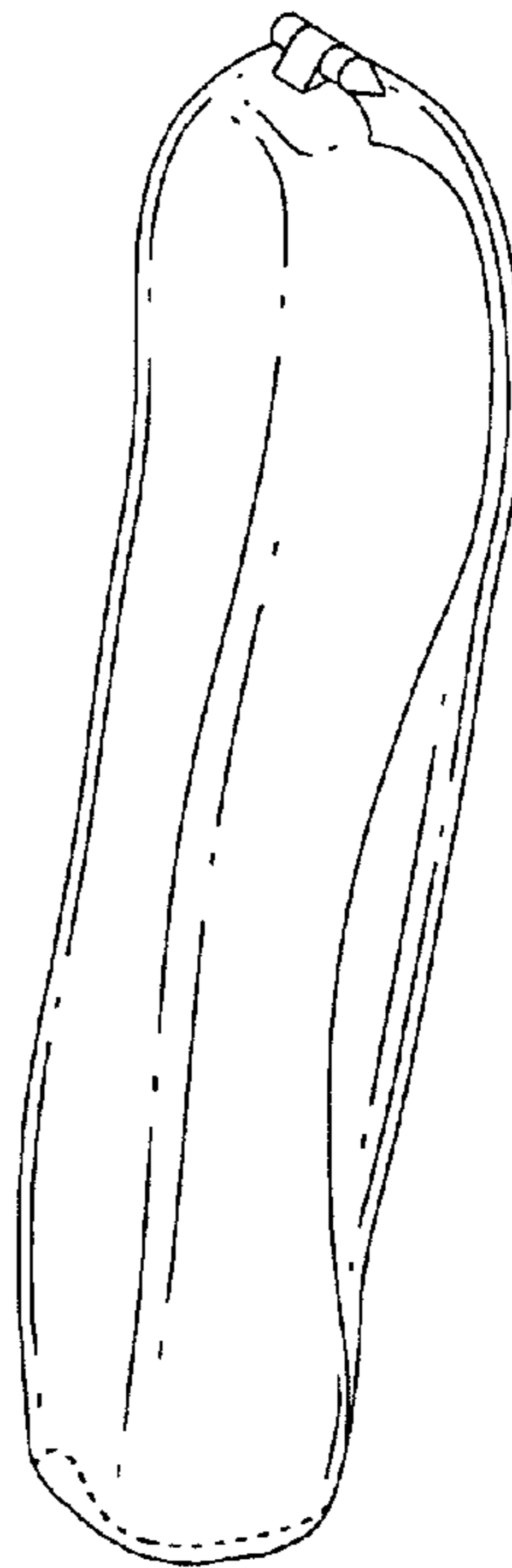


FIG. 21