



US00D519736S

(12) **United States Design Patent**
Jones

(10) **Patent No.:** **US D519,736 S**

(45) **Date of Patent:** **** May 2, 2006**

(54) **CRATE**

(76) **Inventor:** **David M. Jones, 230 4th Ave., NE., DeMotte, IN (US) 46310**

(**) **Term:** **14 Years**

(21) **Appl. No.:** **29/217,773**

(22) **Filed:** **Nov. 22, 2004**

(51) **LOC (8) Cl.** **03-01**

(52) **U.S. Cl.** **D3/311**

(58) **Field of Classification Search** D3/201,
D3/304-315; D6/525; 206/201, 203, 503,
206/509, 511, 512, 429, 139, 519; 220/515-519,
220/DIG. 2, DIG. 15, 488

See application file for complete search history.

(56) **References Cited**

U.S. PATENT DOCUMENTS

D147,028 S	*	7/1947	Waldrop	D3/311
D153,277 S	*	4/1949	Gerber	D3/311
2,947,462 A	*	8/1960	Bostock	229/117.17
3,240,378 A	*	3/1966	Fox	220/510
4,190,172 A	*	2/1980	Box	220/510
D255,094 S	*	5/1980	Wright	D3/311

D260,603 S	*	9/1981	O'Donnal	D3/311
D261,193 S	*	10/1981	Cornou	D3/311
D446,392 S	*	8/2001	Overholt et al.	D3/307
D468,634 S		1/2003	Hammett		
D483,946 S		12/2003	Koefeld		
D487,634 S		3/2004	Apps et al.		

* cited by examiner

Primary Examiner—Louis S. Zarfes

Assistant Examiner—John Windmuller

(74) *Attorney, Agent, or Firm*—Brinks Hofer Gilson & Lione

(57) **CLAIM**

The ornamental design for a crate, as shown and described.

DESCRIPTION

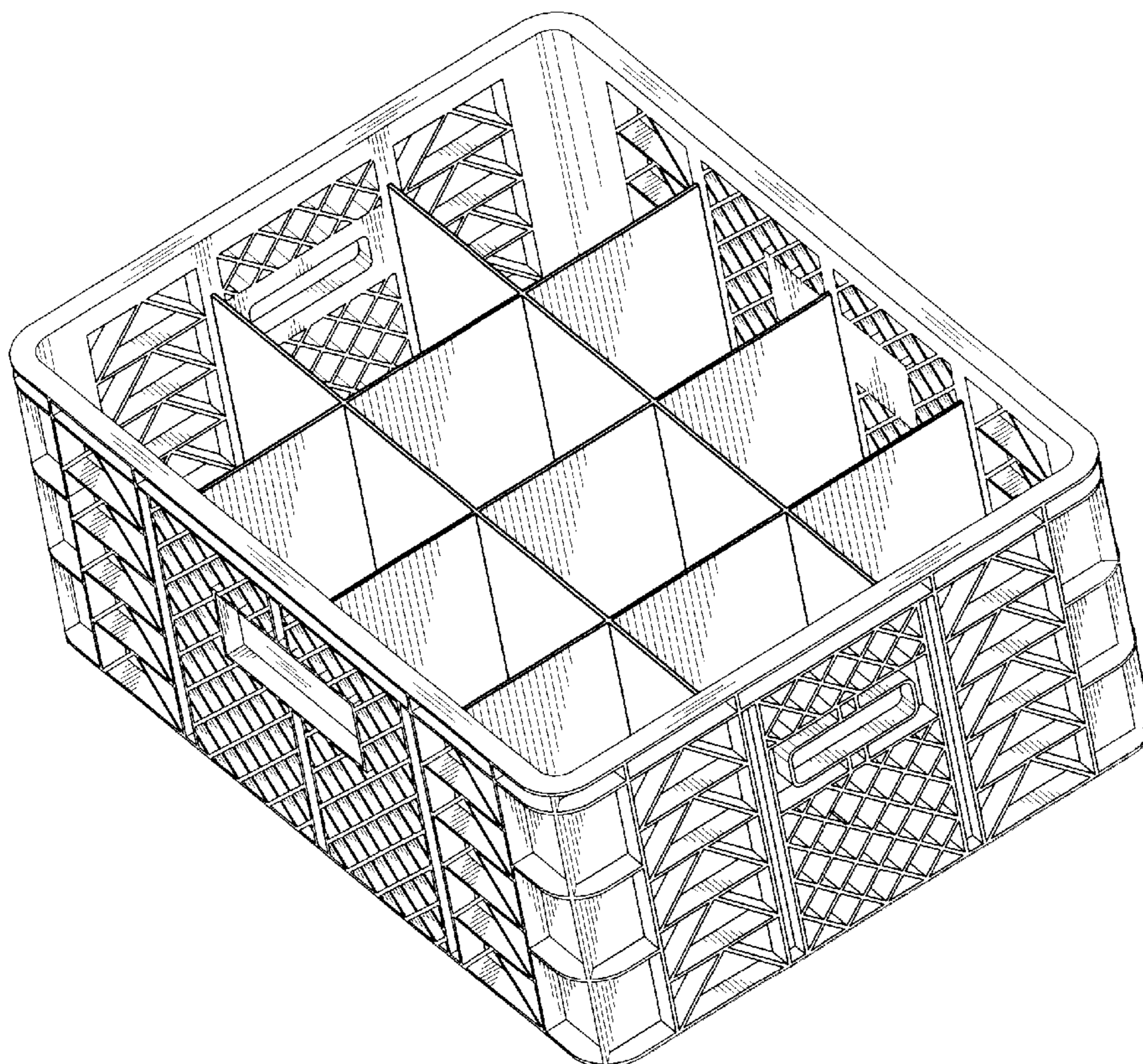
FIG. 1 is a perspective view of the crate.

FIG. 2 is a front elevational view of the crate shown in FIG. 1, the rear elevational view being identical.

FIG. 3 is a side elevational view of the crate shown in FIG. 1, the other side elevational view being identical.

FIG. 4 is a top plan view of the crate shown in FIG. 1; and, FIG. 5 is a bottom plan view of the crate shown in FIG. 1.

1 Claim, 5 Drawing Sheets



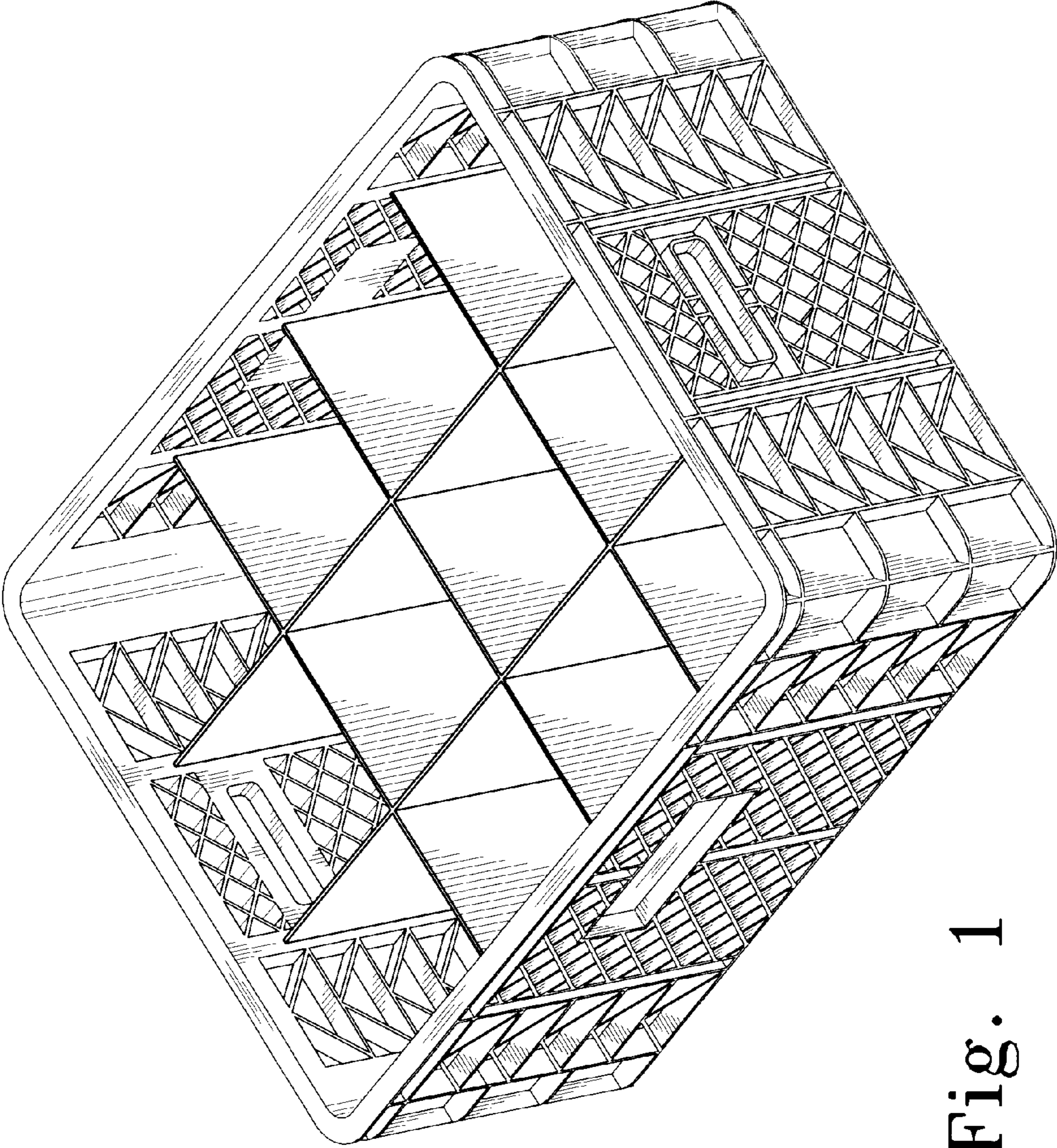


Fig. 1

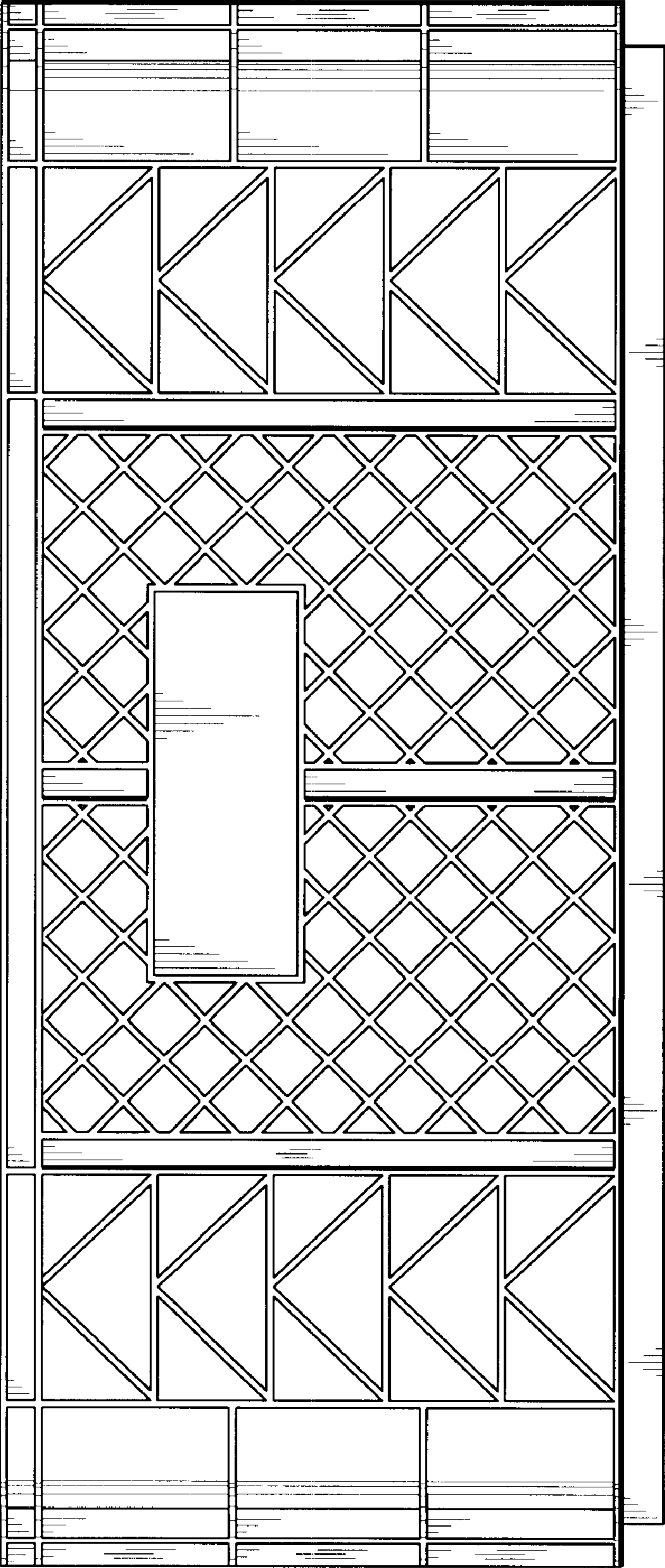


Fig. 2

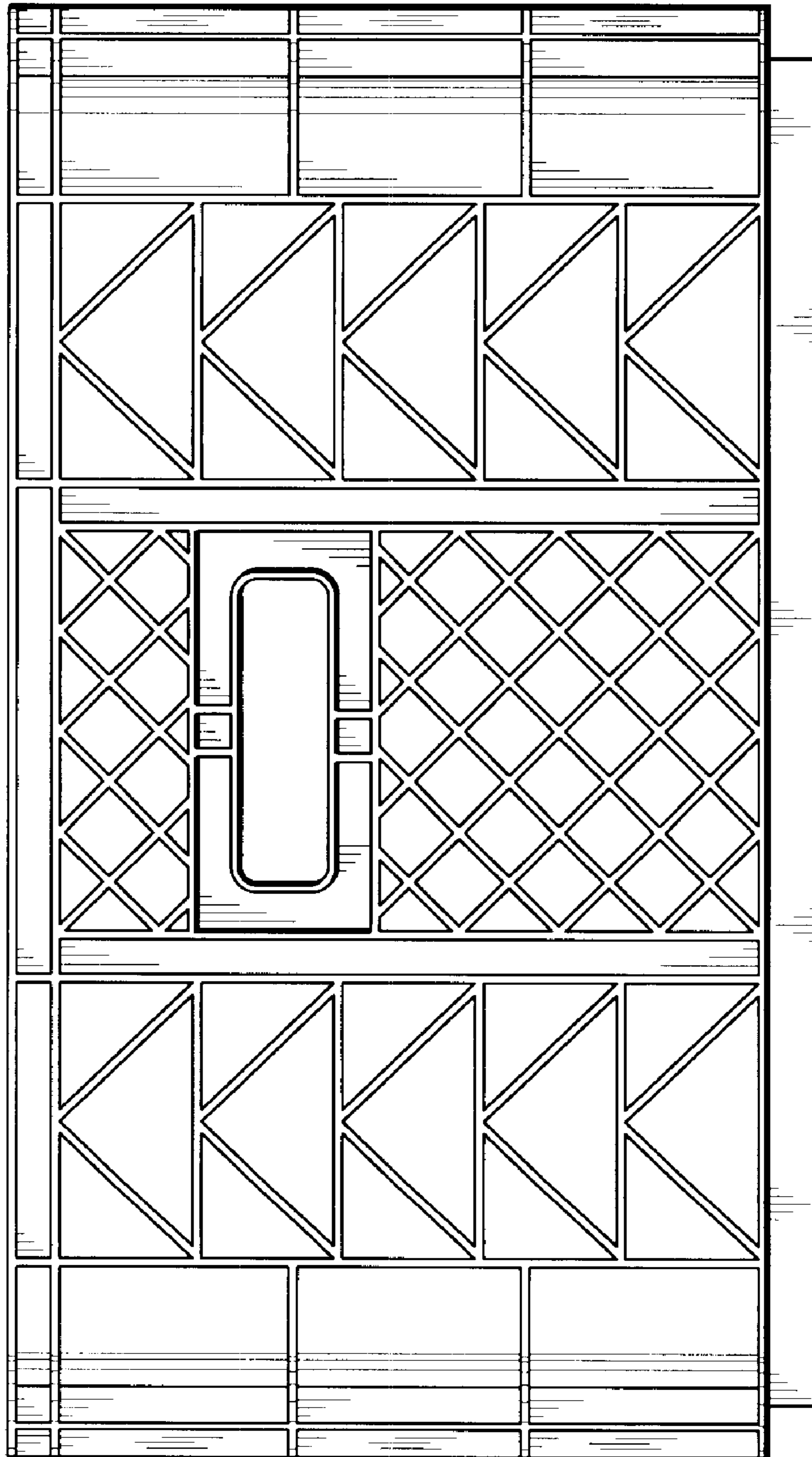


Fig. 3

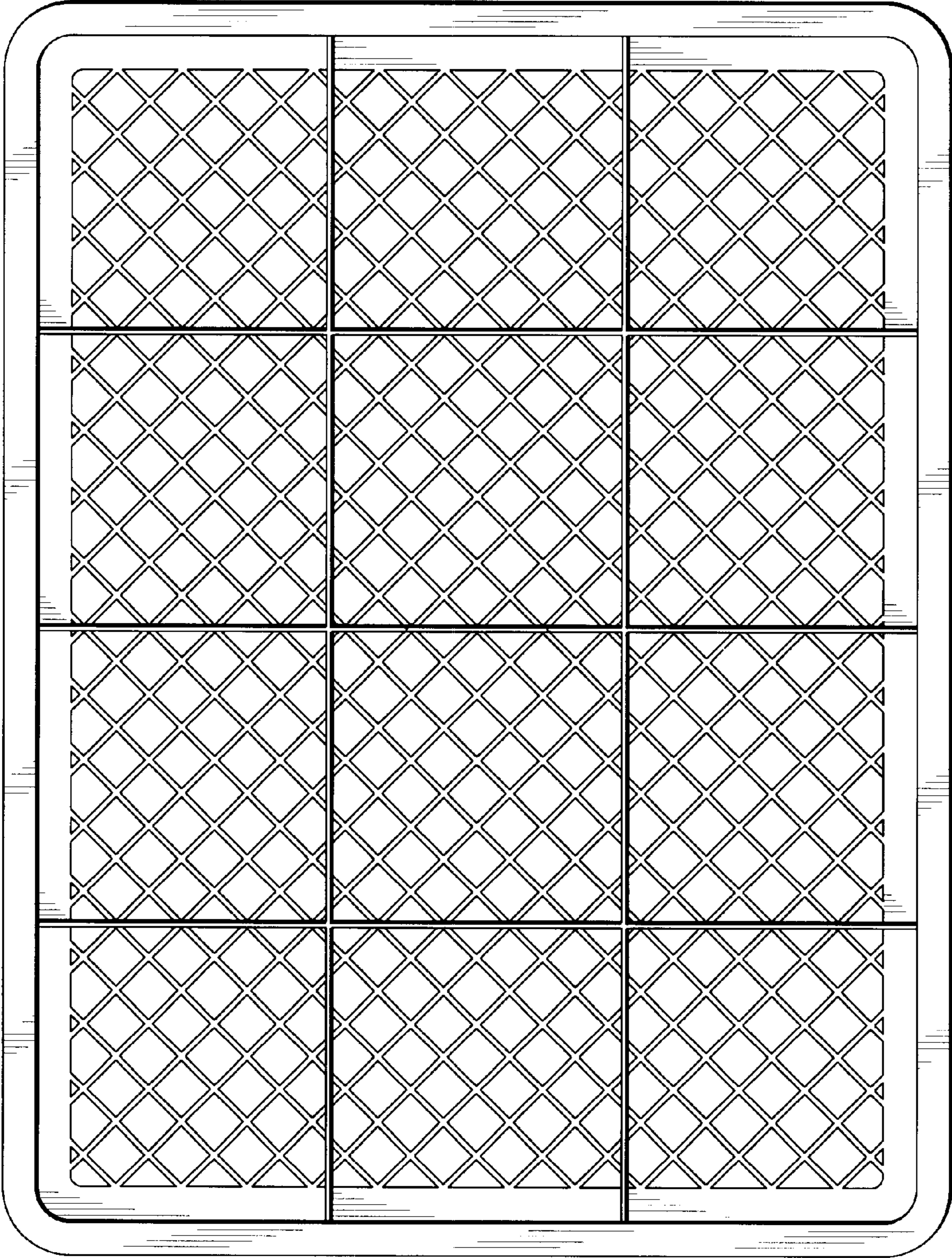


Fig. 4

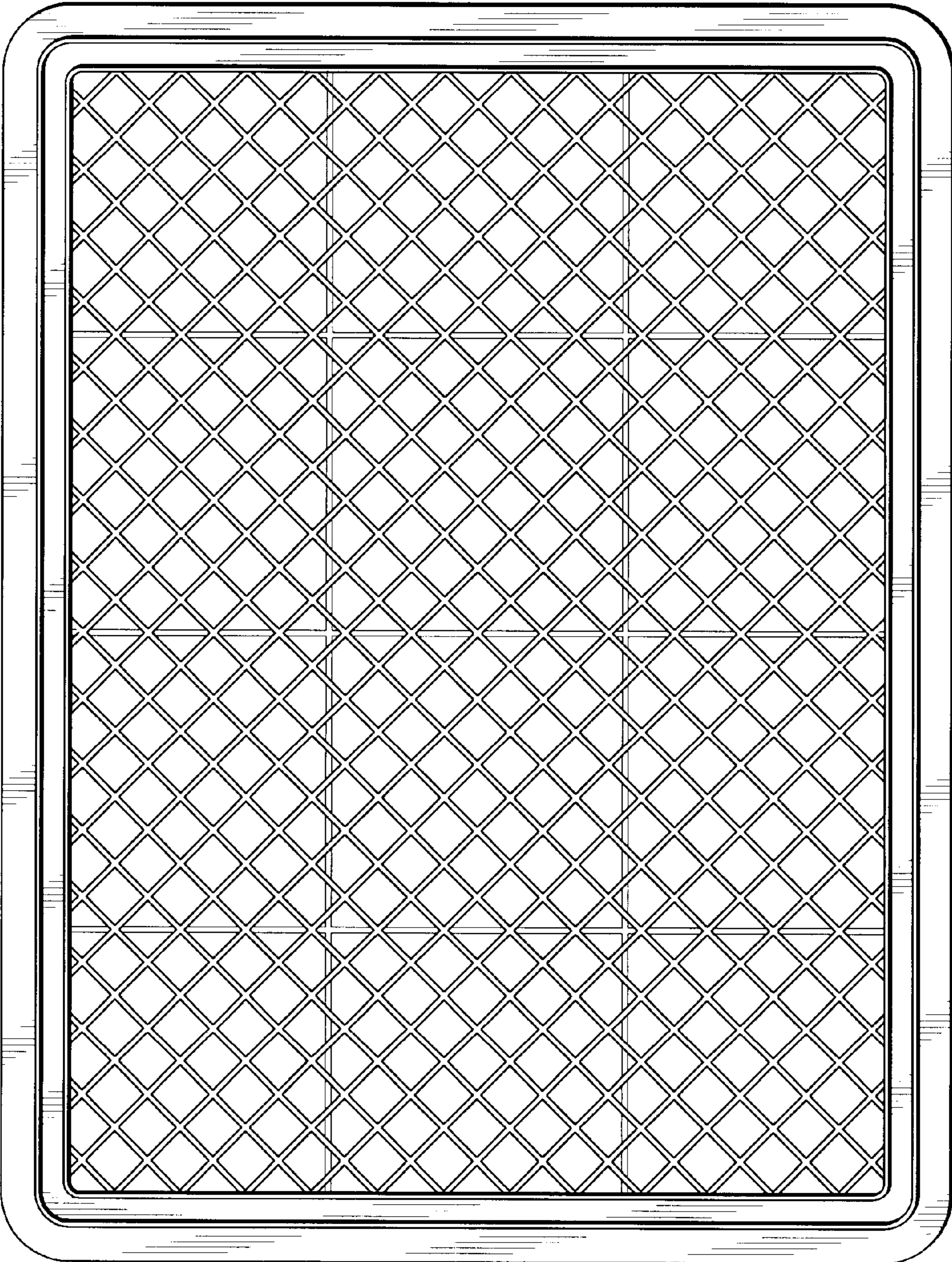


Fig. 5