



US00D519734S

(12) **United States Design Patent**
Richardson et al.

(10) **Patent No.:** **US D519,734 S**

(45) **Date of Patent:** **** May 2, 2006**

(54) **STORAGE BIN WITH SPLIT LID**
(75) Inventors: **Jed Richardson**, Batavia, IL (US);
Torrence Anderson, Overland Park, KS
(US)

6,041,931 A * 3/2000 Jacques 206/505
D448,166 S * 9/2001 Zimmerman D3/273
6,318,586 B1 * 11/2001 Frankenberg 220/826
D480,560 S * 10/2003 Tanji D3/294
D493,282 S * 7/2004 Dubois et al. D3/273

(73) Assignee: **Suncast Corporation**, Batavia, IL (US)

* cited by examiner

(**) Term: **14 Years**

Primary Examiner—Philip S. Hyder

(74) *Attorney, Agent, or Firm*—McHale & Slavin, P.A.

(21) Appl. No.: **29/206,316**

(57) **CLAIM**

(22) Filed: **May 28, 2004**

The ornamental design for a storage bin with split lid, as shown and described.

(51) **LOC (8) Cl.** **03-01**

(52) **U.S. Cl.** **D3/294; D3/273**

(58) **Field of Classification Search** D3/273,
D3/294, 272, 276, 302; D9/420, 423, 424;
206/349, 503, 505, 508, 509, 513, 518; 220/826,
220/843, 770

DESCRIPTION

See application file for complete search history.

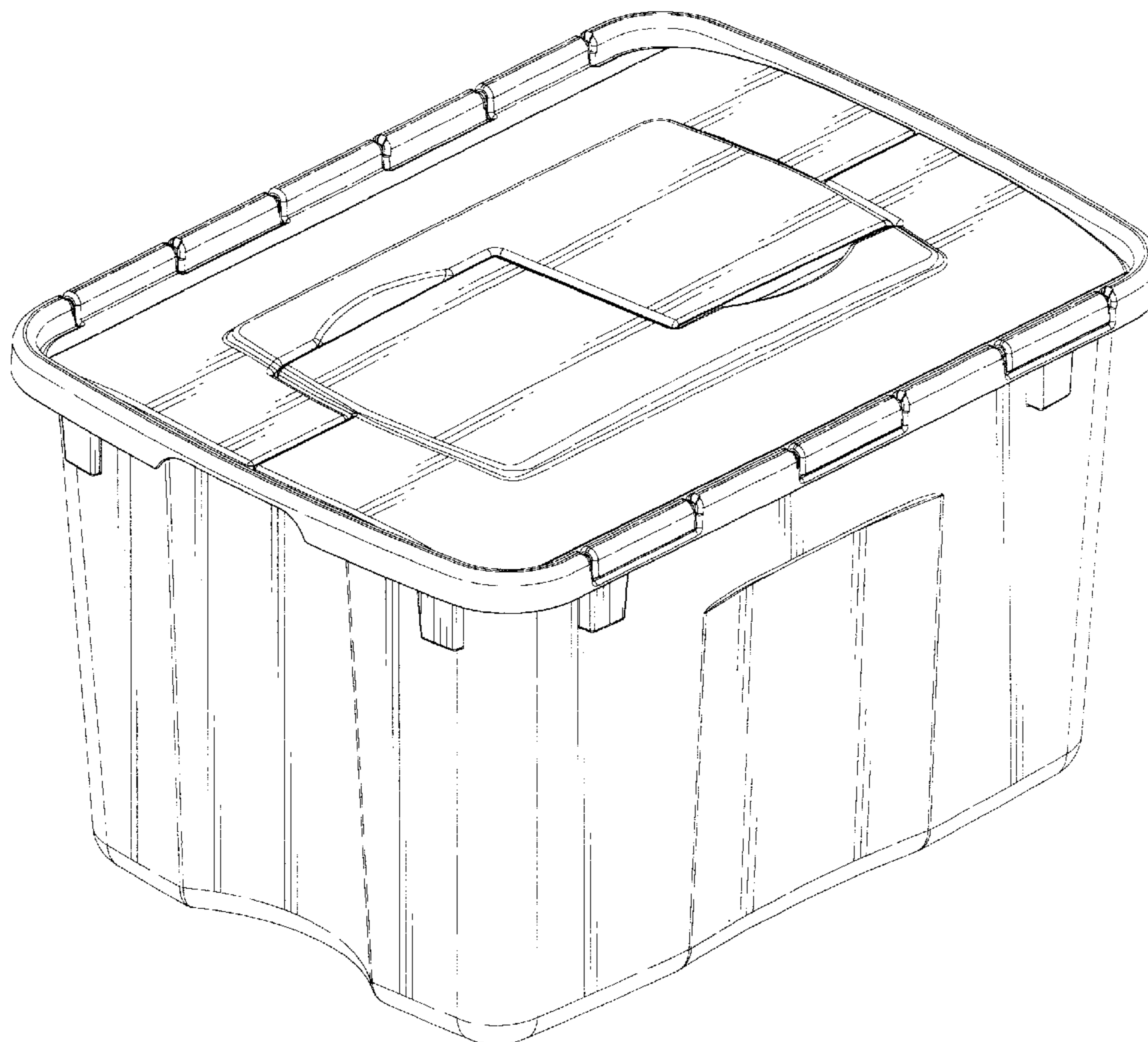
FIG. 1 is a perspective view of the storage bin with split lid of the instant invention;
FIG. 2 is a lower perspective view thereof;
FIG. 3 is a front end view thereof;
FIG. 4 is a back end view thereof;
FIG. 5 is a right side view thereof;
FIG. 6 is a left side view thereof;
FIG. 7 is top view thereof;
FIG. 8 is a bottom view thereof; and,
FIG. 9 is a perspective view with the split lid in an open position.

(56) **References Cited**

U.S. PATENT DOCUMENTS

D257,528 S * 11/1980 Cherry D9/431
4,765,480 A * 8/1988 Malmanger 206/506
5,328,048 A * 7/1994 Stein 220/826
5,673,791 A * 10/1997 Jamison 206/508
6,000,576 A * 12/1999 Liu 220/826

1 Claim, 7 Drawing Sheets



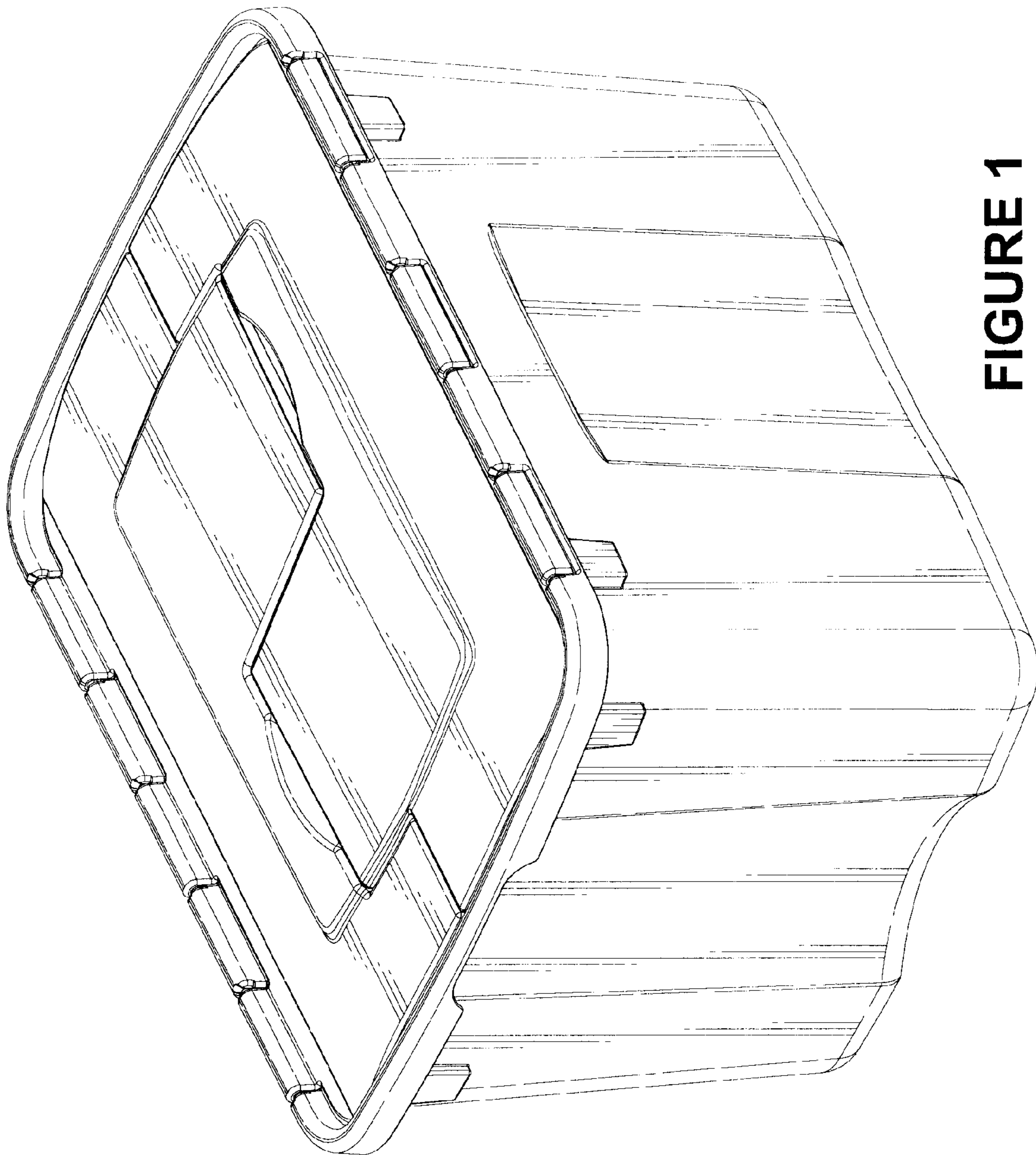


FIGURE 1

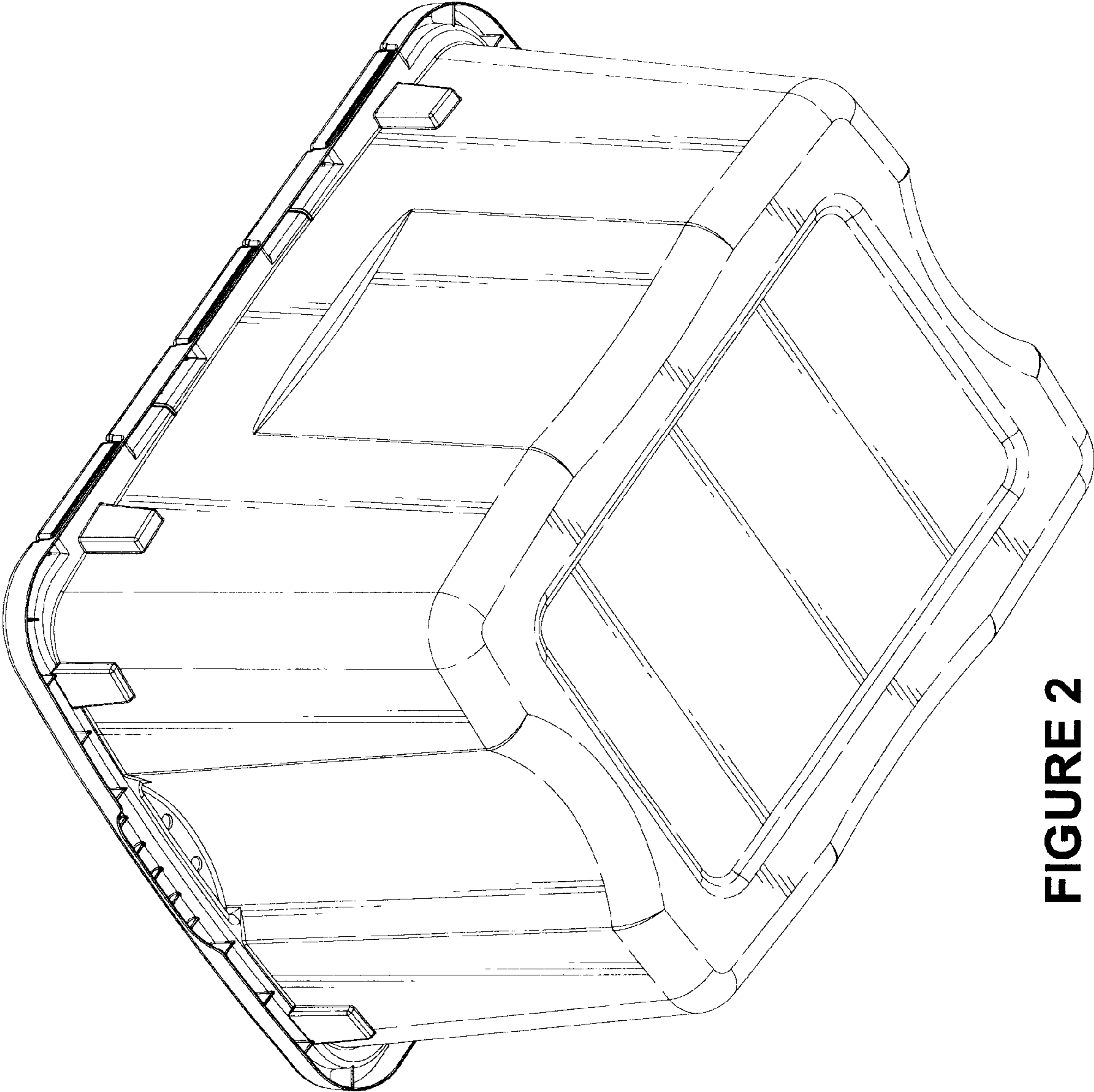


FIGURE 2

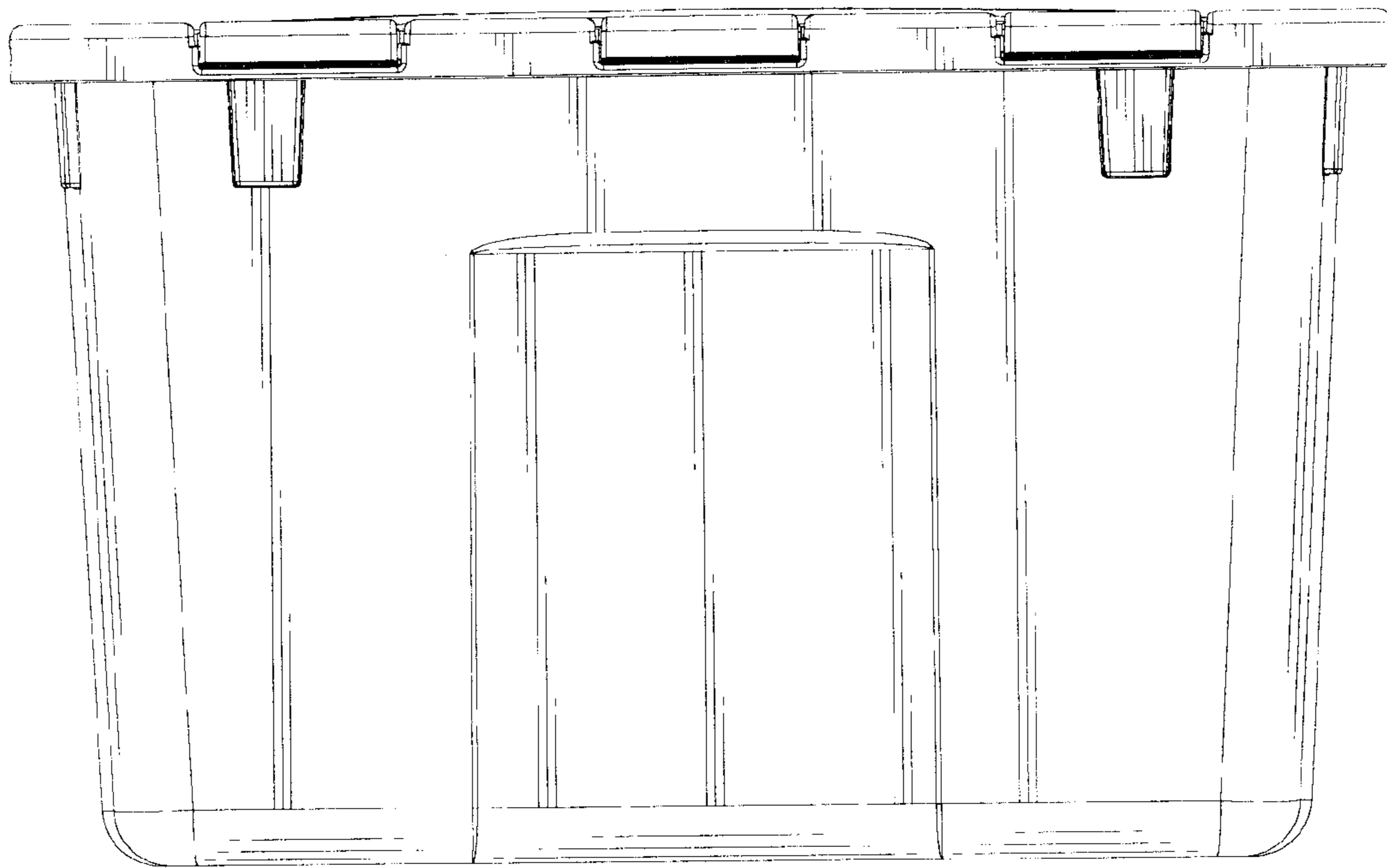


FIGURE 3

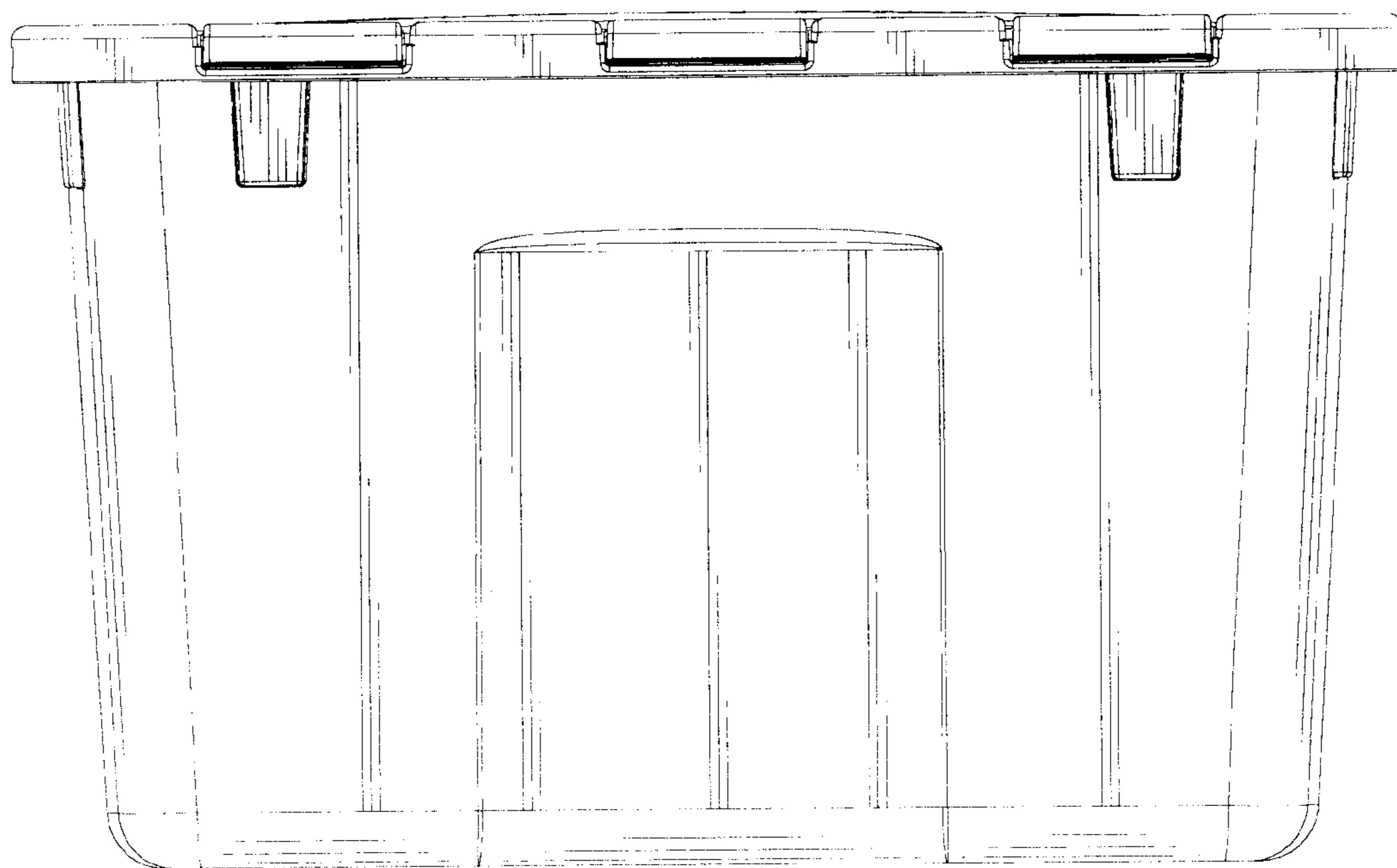


FIGURE 4

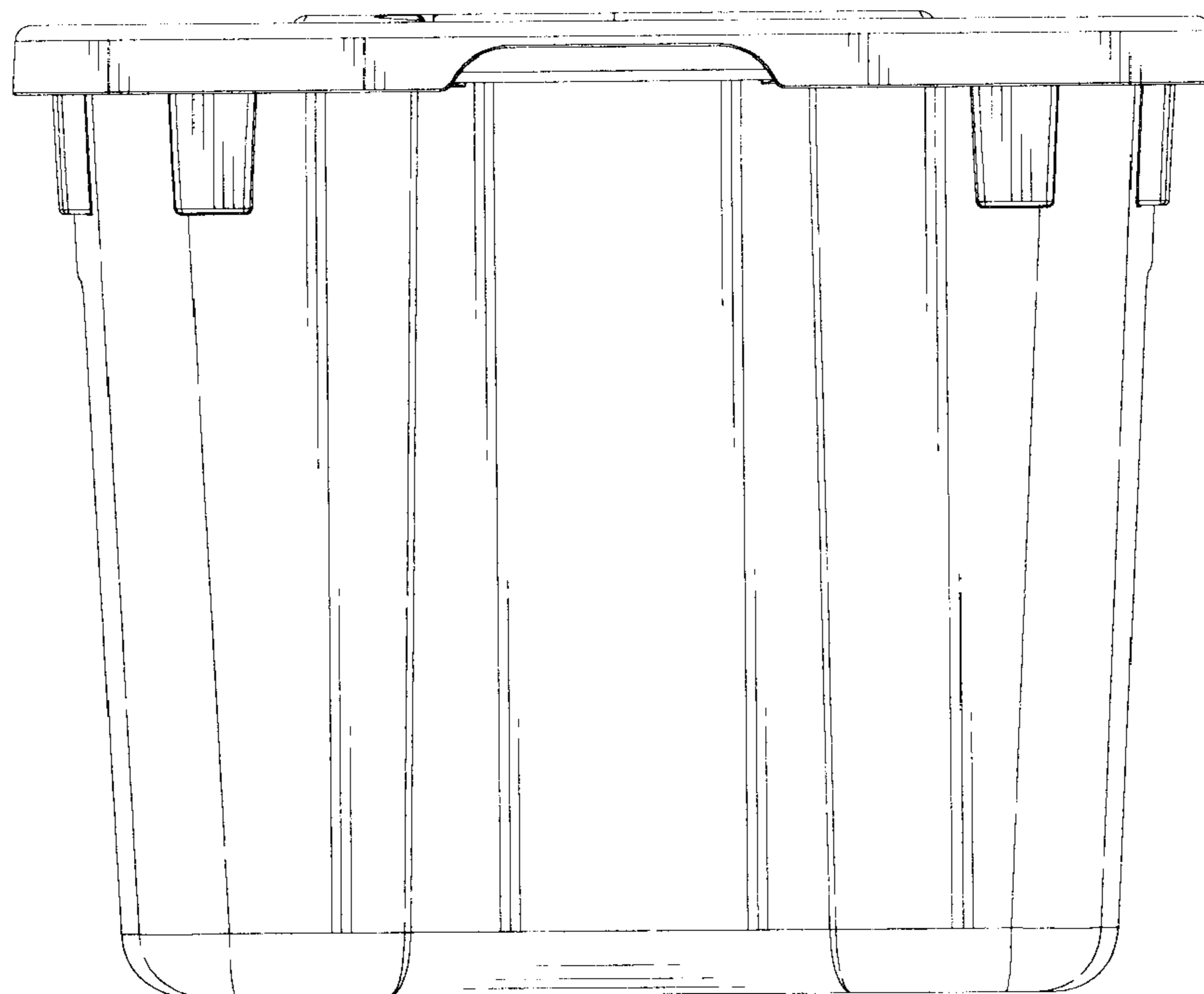


FIGURE 5

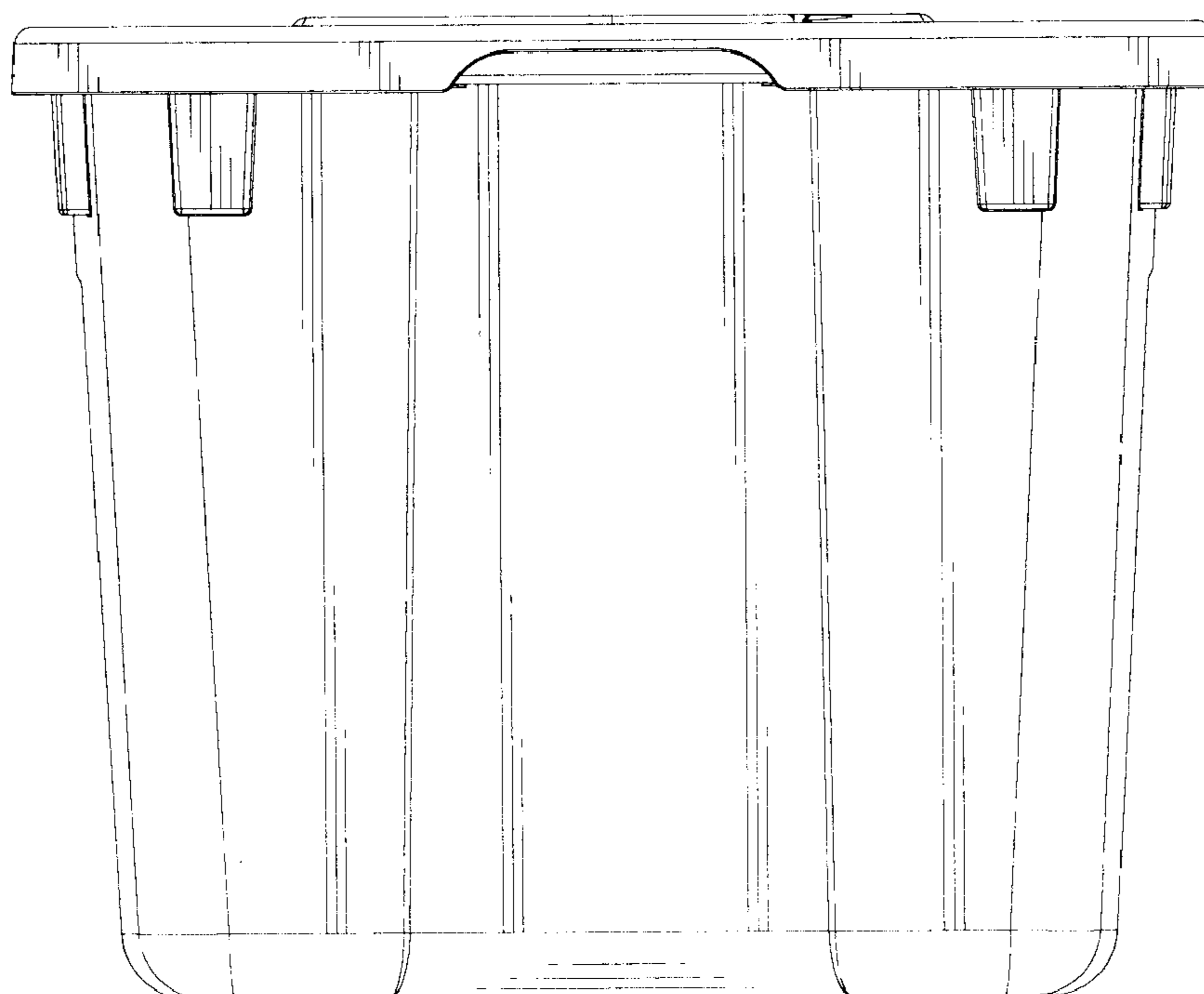


FIGURE 6

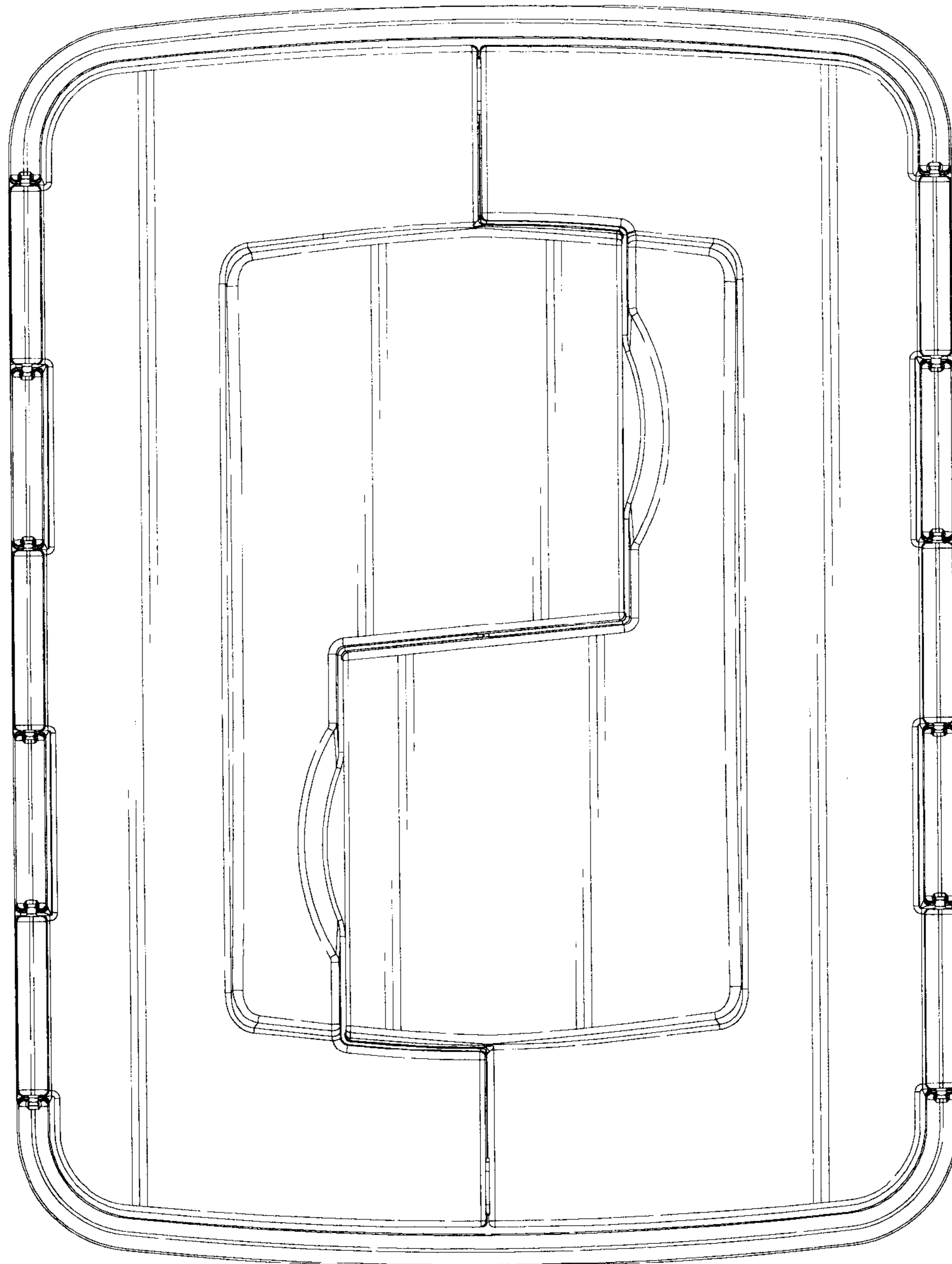


FIGURE 7

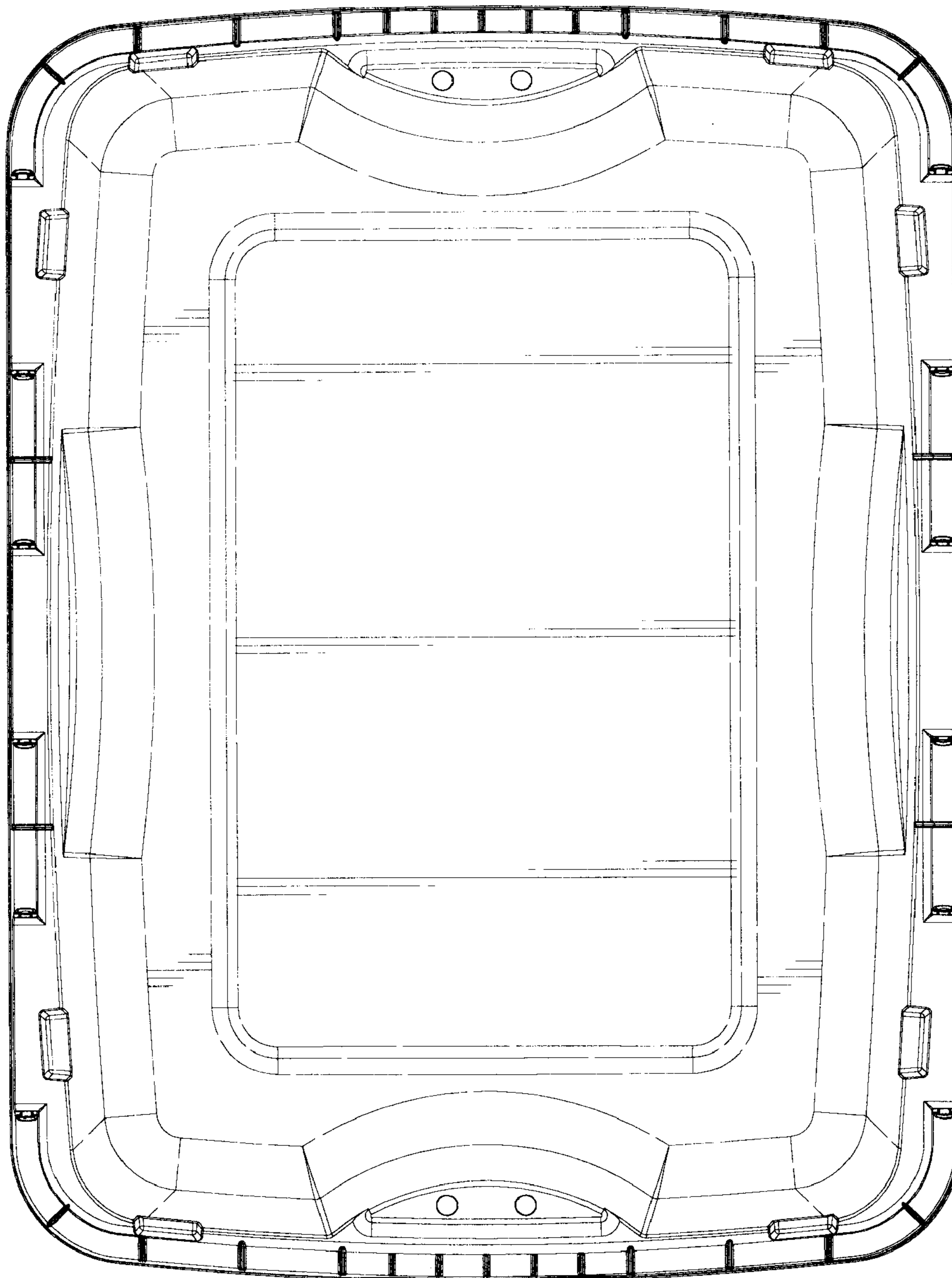


FIGURE 8

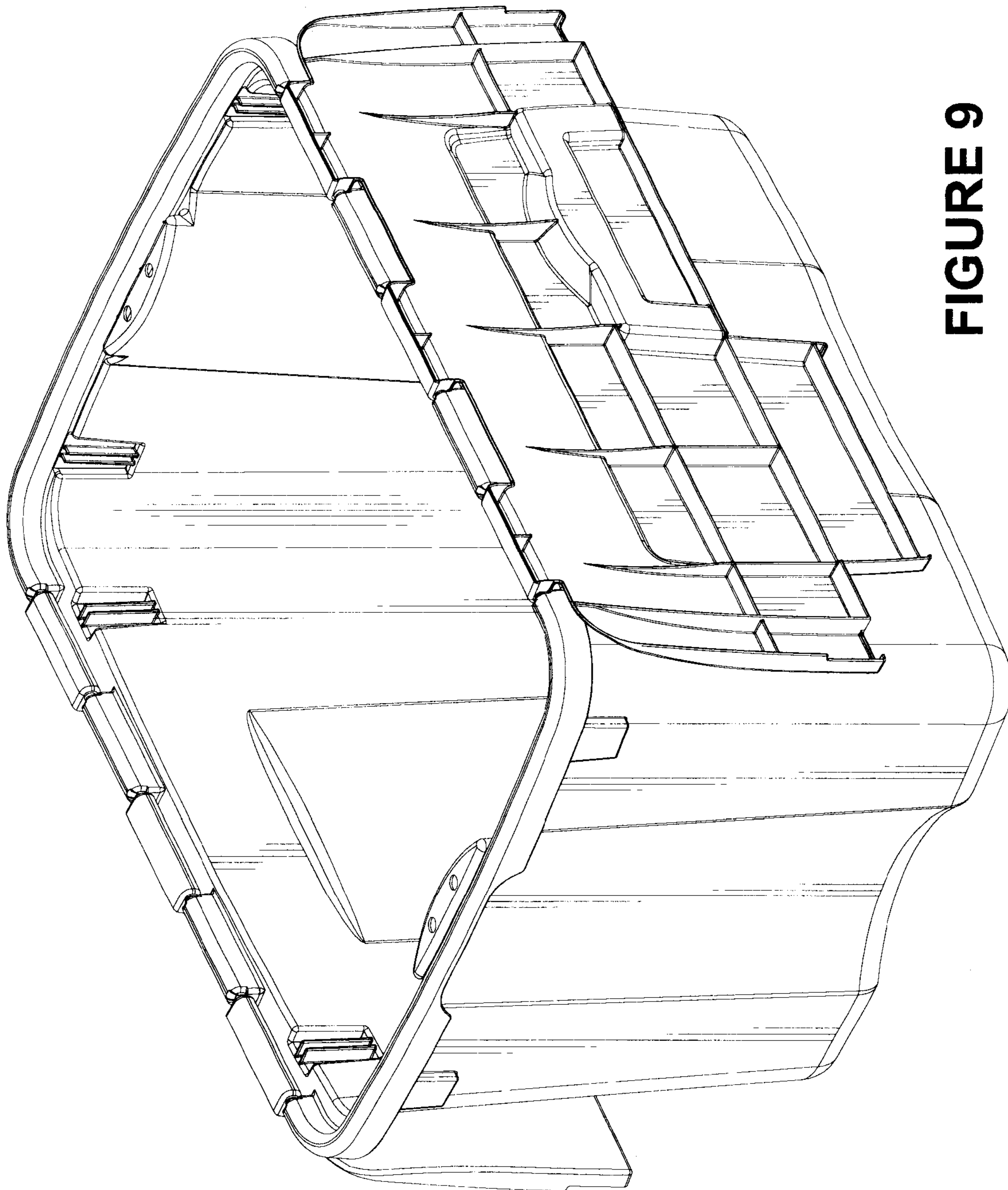


FIGURE 9