



US00D519733S

(12) **United States Design Patent**  
**Chen**

(10) **Patent No.:** **US D519,733 S**

(45) **Date of Patent:** **\*\* May 2, 2006**

(54) **TOOL BOX**

(76) **Inventor:** **Chang-Ying Chen**, 235 Chung-Ho Box  
8-24, Taipei (TW)

(\*\*) **Term:** **14 Years**

(21) **Appl. No.:** **29/208,245**

(22) **Filed:** **Jun. 28, 2004**

(51) **LOC (8) Cl.** ..... **03-01**

(52) **U.S. Cl.** ..... **D3/293; D34/905**

(58) **Field of Classification Search** ..... D3/273,  
D3/294, 295, 905, 282; D9/415, 418, 423;  
206/349, 372, 373, 374; 220/810, 825, 836;  
312/902

See application file for complete search history.

(56) **References Cited**

**U.S. PATENT DOCUMENTS**

D373,901 S \* 9/1996 Bergstedt ..... D3/294  
D400,709 S \* 11/1998 Chang ..... D3/294  
6,283,291 B1 \* 9/2001 Vasudeva et al. .... 206/373

D466,296 S \* 12/2002 Hellenberg-Hubar ..... D3/295  
D468,531 S \* 1/2003 Hsu ..... D3/282  
D475,853 S \* 6/2003 Chen ..... D3/294  
D477,464 S \* 7/2003 Cang ..... D3/295

\* cited by examiner

*Primary Examiner*—Philip S. Hyder  
*Assistant Examiner*—RoseLynne Ulm

(57) **CLAIM**

The ornamental design for a tool box, as shown and described.

**DESCRIPTION**

FIG. 1 is a perspective view of a tool box showing my new design.

FIG. 2 is a front elevational view thereof.

FIG. 3 is a rear elevational view thereof.

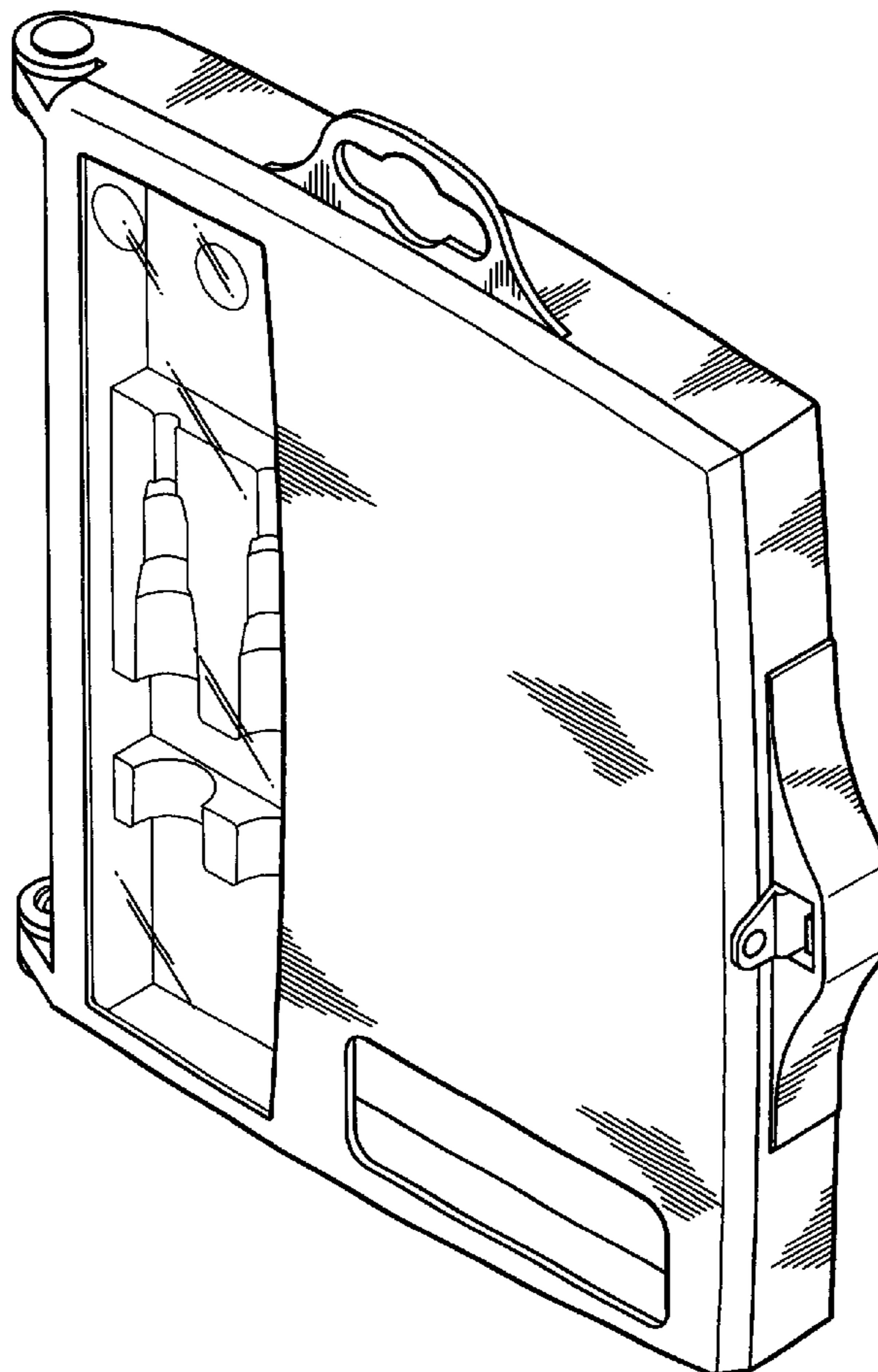
FIG. 4 is a left side view thereof.

FIG. 5 is a right side view thereof.

FIG. 6 is a top plan view thereof; and,

FIG. 7 is a bottom plan view thereof.

**1 Claim, 5 Drawing Sheets**



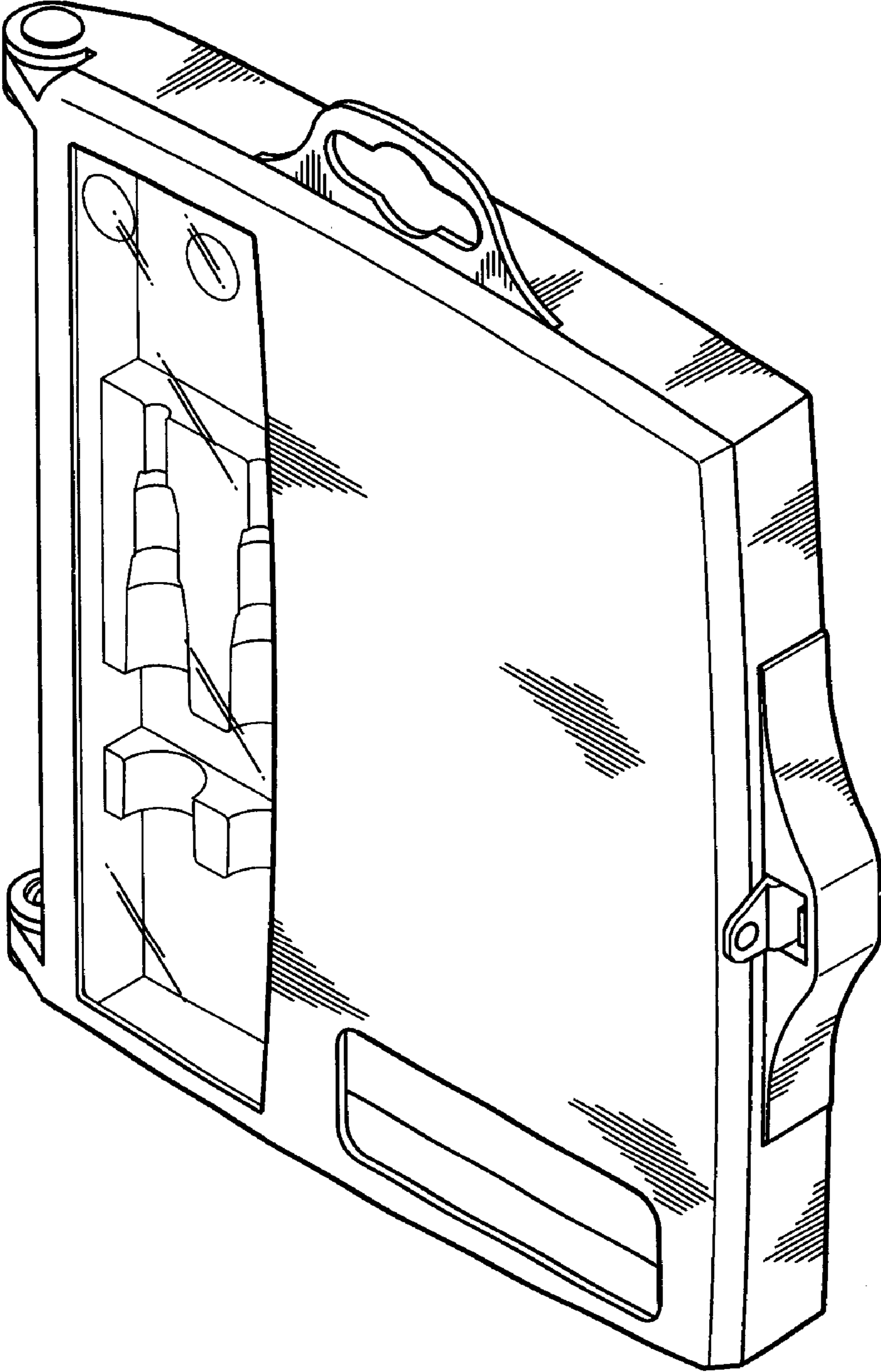


Fig. 1

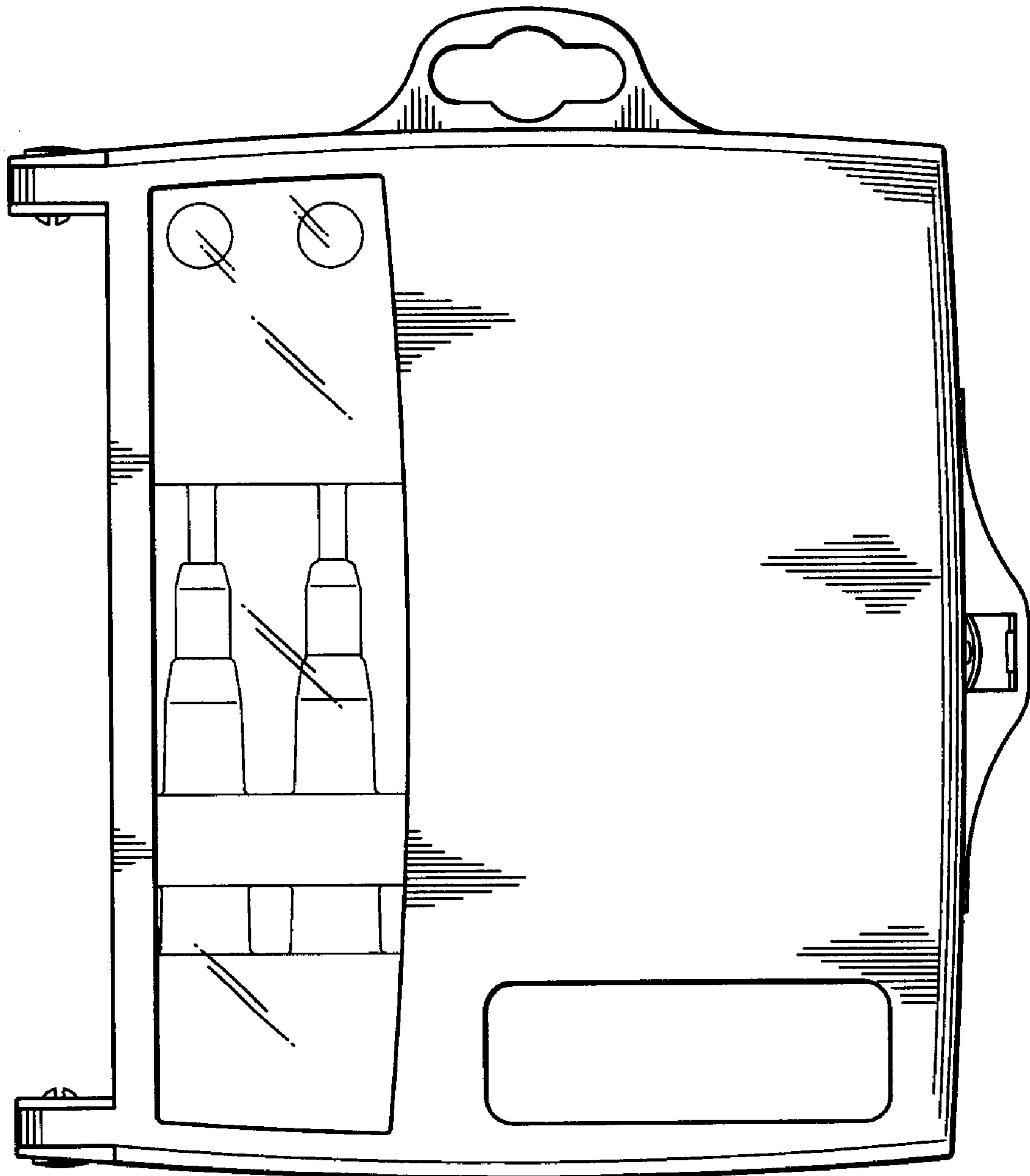


Fig. 2

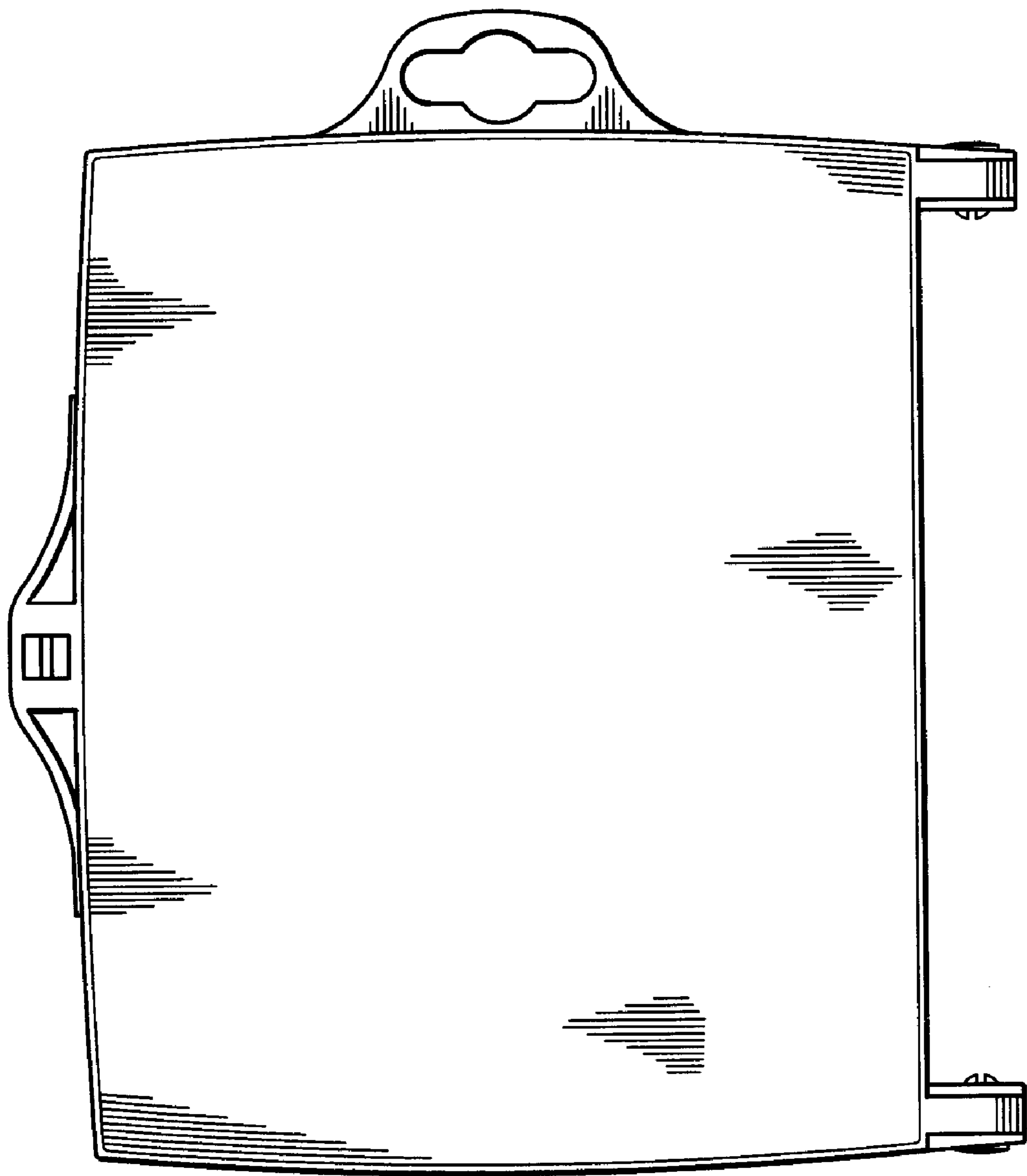


Fig. 3

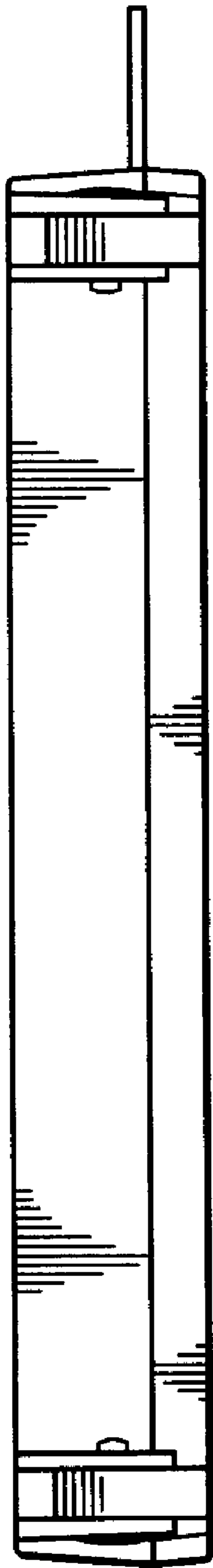


Fig. 4

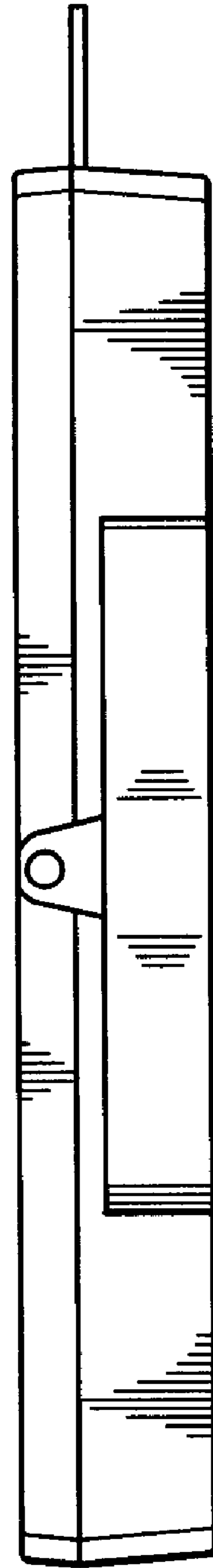


Fig. 5

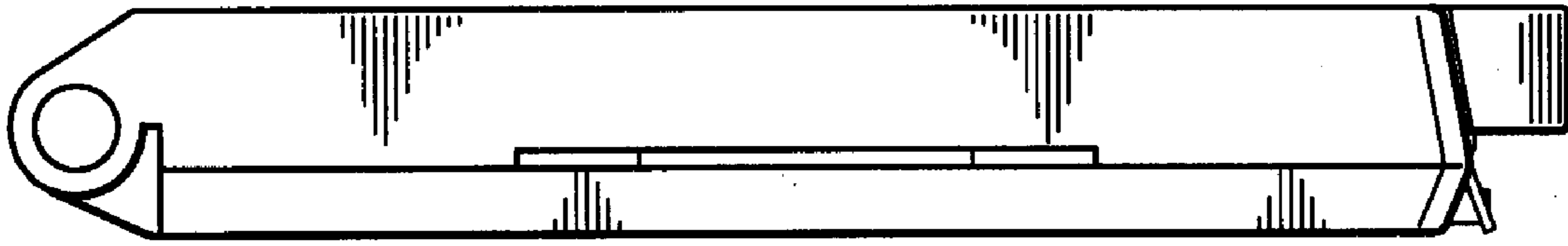


Fig. 6

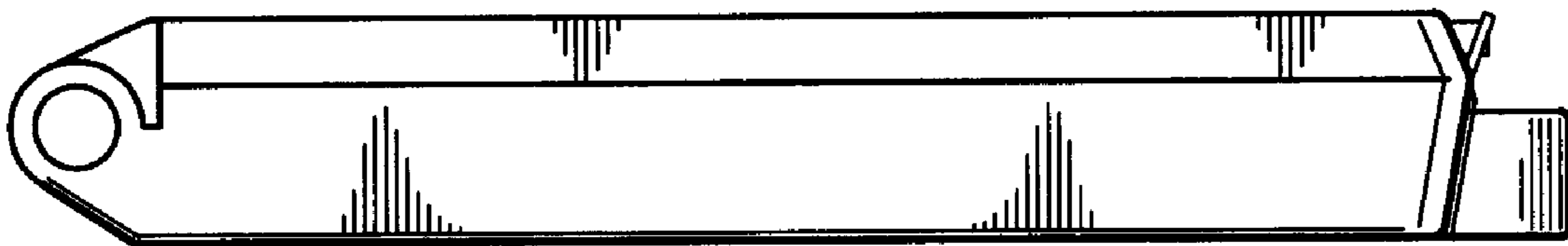


Fig. 7