



US00D519732S

(12) **United States Design Patent** (10) **Patent No.:** **US D519,732 S**
Gonzalez (45) **Date of Patent:** **** May 2, 2006**

(54) **HANDBAG**

D501,998 S * 2/2005 Gonzalez D3/326
D502,813 S * 3/2005 Gonzalez D3/326

(75) Inventor: **Alvaro Gonzalez**, Florence (IT)

OTHER PUBLICATIONS

(73) Assignee: **J. Choo (Jersey) Limited**, Jersey (GB)

J. Choo (Jersey) Limited, Tulita Flap Hobo, Jimmy Choo Cruise 2003 Catalog, United States.

(**) Term: **14 Years**

U.S. Trademark Application Serial No. 76/584,973, filed Apr. 2, 2004.

(21) Appl. No.: **29/221,736**

* cited by examiner

(22) Filed: **Jan. 18, 2005**

(30) **Foreign Application Priority Data**

Primary Examiner—Louis S. Zarfes

Assistant Examiner—Melanie Levy

Aug. 4, 2004 (EM) 000213830-002

(74) *Attorney, Agent, or Firm*—Fross Zelnick Lehrman & Zissu, P.C.; Lawrence E. Apolzon, Esq.

Aug. 4, 2004 (EM) 0002213830-001

(51) **LOC (8) Cl.** **03-01**

(57) **CLAIM**

(52) **U.S. Cl.** **D3/243**

The ornamental design for a handbag, as shown and described.

(58) **Field of Classification Search** D3/232–247,
D3/303, 305, 318, 322, 324; 150/100, 107,
150/108, 110, 109, 118, 130, 900, 190, 121;
383/907

DESCRIPTION

See application file for complete search history.

FIG. 1 is a front perspective view of a handbag showing my handbag design;

FIG. 2 is a front view of the handbag shown in FIG. 1;

FIG. 3 is a rear view of the handbag shown in FIG. 1;

FIG. 4 is a right side view of the handbag shown in FIG. 1 (the left side view being a mirror image);

FIG. 5 is a bottom view of the handbag shown in FIG. 1;

FIG. 6 is a top view of the handbag shown in FIG. 1;

FIG. 7 is a front perspective view of an alternative embodiment of the handbag shown in FIG. 1; and,

FIG. 8 is a right side view of the alternative embodiment of the handbag shown in FIG. 7 (the left side view being a mirror image).

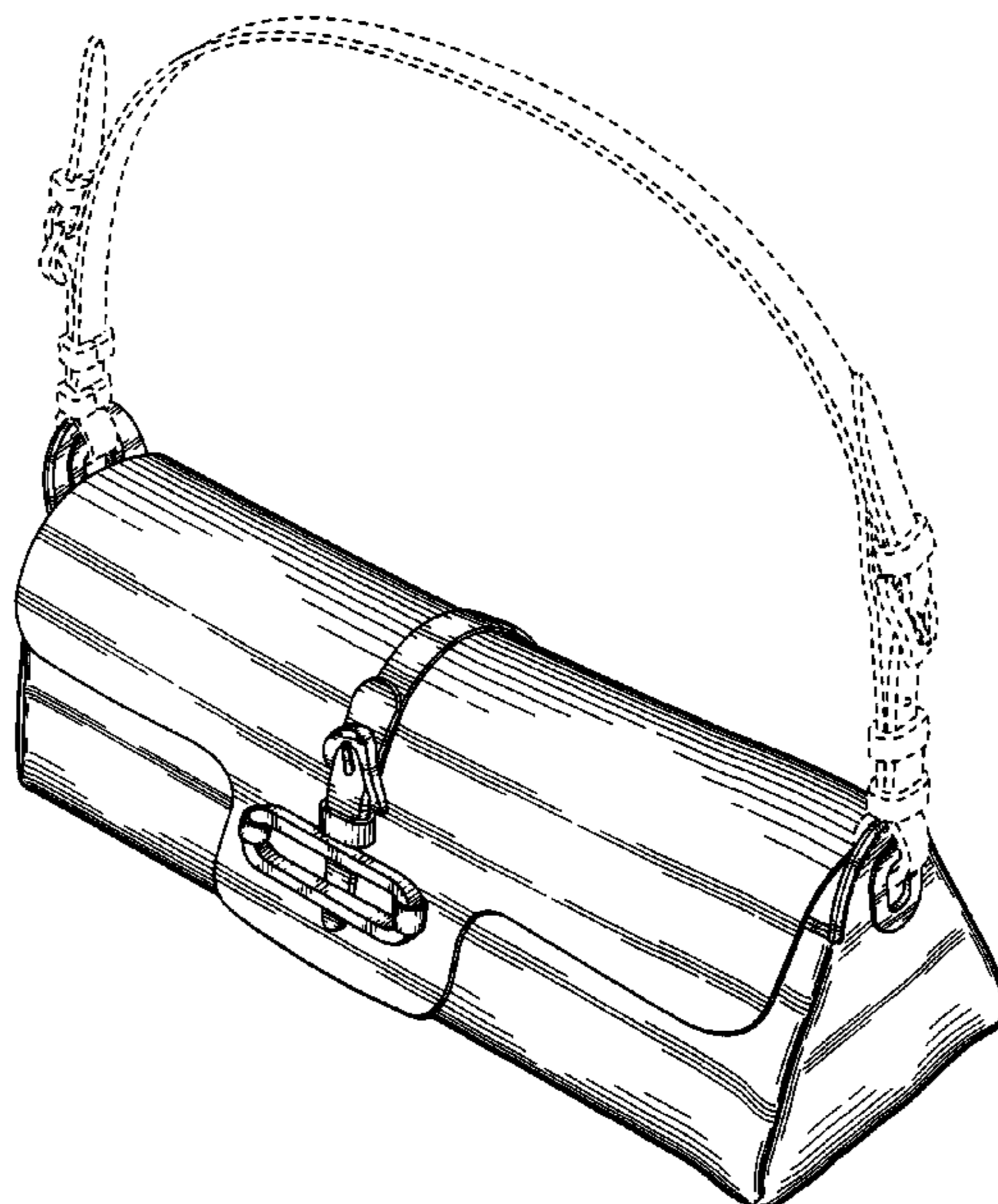
The broken line showing of the straps and buckles is for illustrative purposes only and forms no part of the claimed design.

(56) **References Cited**

U.S. PATENT DOCUMENTS

| | | | | | |
|-------------|---|---------|-----------------|-------|---------|
| D137,864 S | * | 5/1944 | Jolles | | D3/243 |
| D163,726 S | | 6/1951 | Wiggin | | |
| D164,621 S | * | 9/1951 | Bienen | | D3/233 |
| D213,745 S | | 4/1969 | D'Elia | | |
| D332,006 S | * | 12/1992 | Ross | | D3/243 |
| 5,503,204 A | * | 4/1996 | Byers et al. | | 150/118 |
| D418,976 S | * | 1/2000 | du Sartel | | D3/243 |
| D422,405 S | * | 4/2000 | du Sartel | | D3/243 |
| D434,219 S | * | 11/2000 | Haapala | | D3/246 |
| D471,707 S | | 3/2003 | Galliano | | |
| D485,680 S | * | 1/2004 | Hasenfrantz | | D3/232 |
| D492,482 S | * | 7/2004 | Hanley | | D3/243 |
| D497,248 S | * | 10/2004 | Anderson et al. | | D3/238 |
| D498,360 S | * | 11/2004 | de Baschmakoff | | D3/243 |

1 Claim, 8 Drawing Sheets



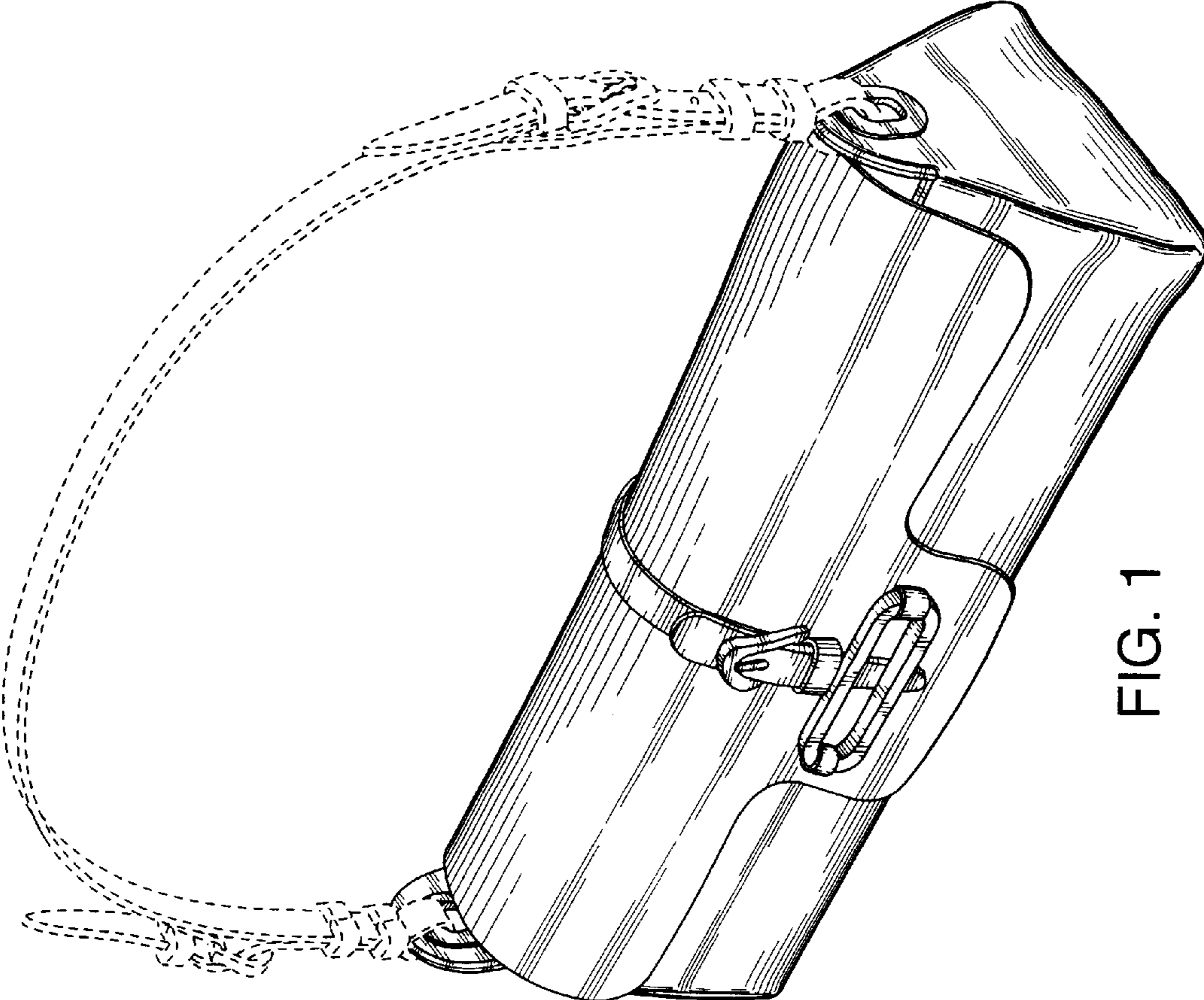


FIG. 1

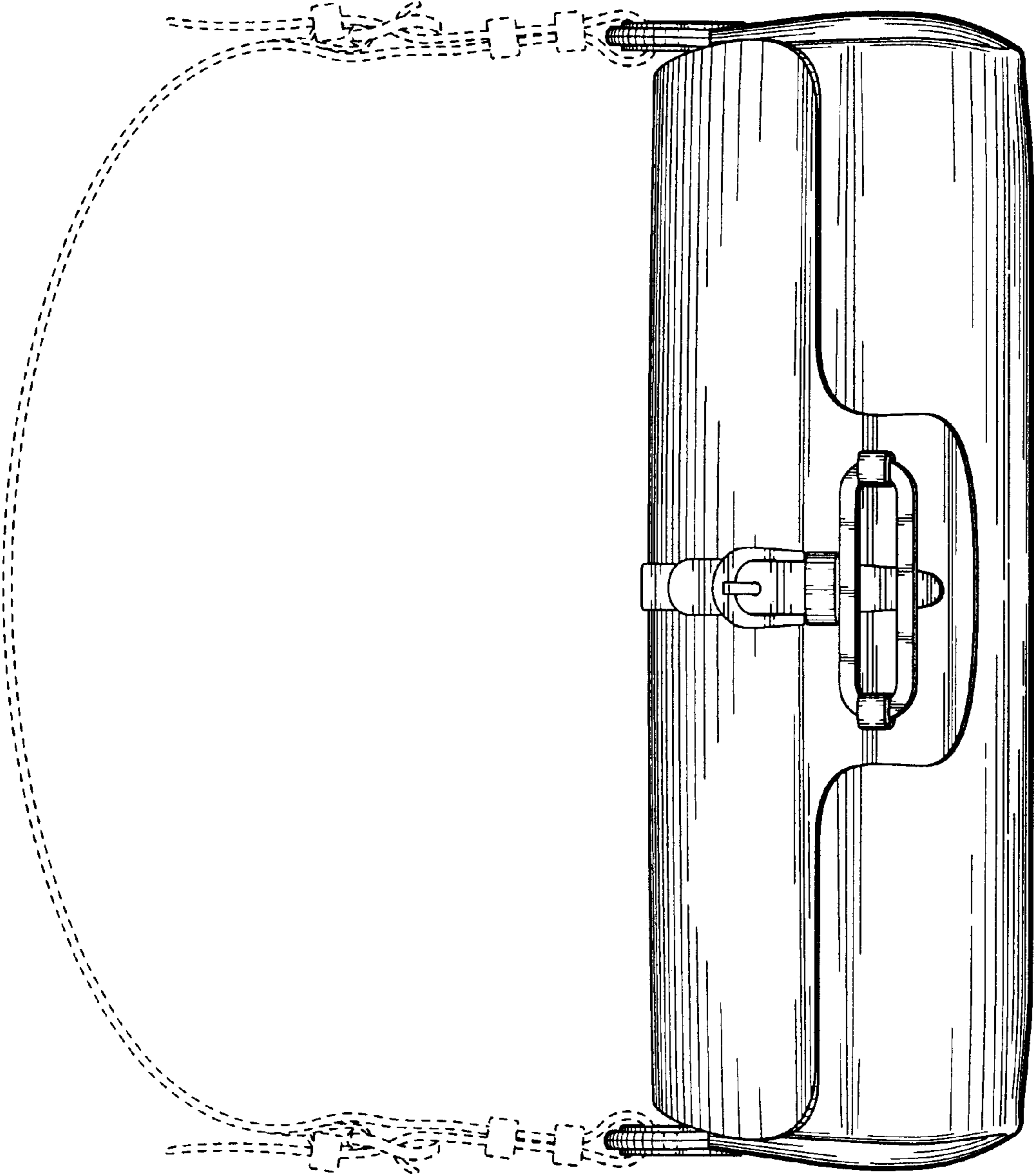


FIG. 2

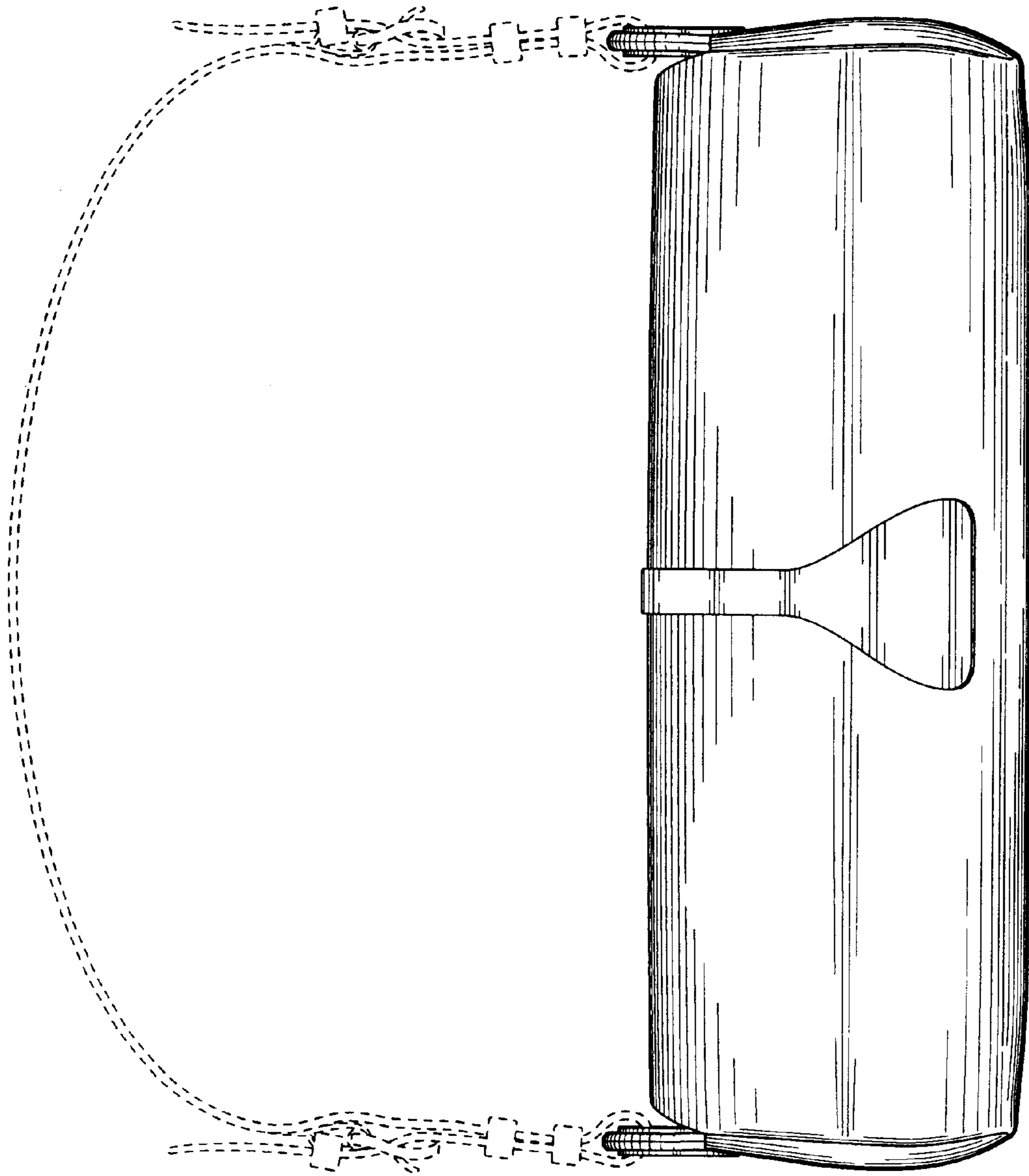


FIG. 3

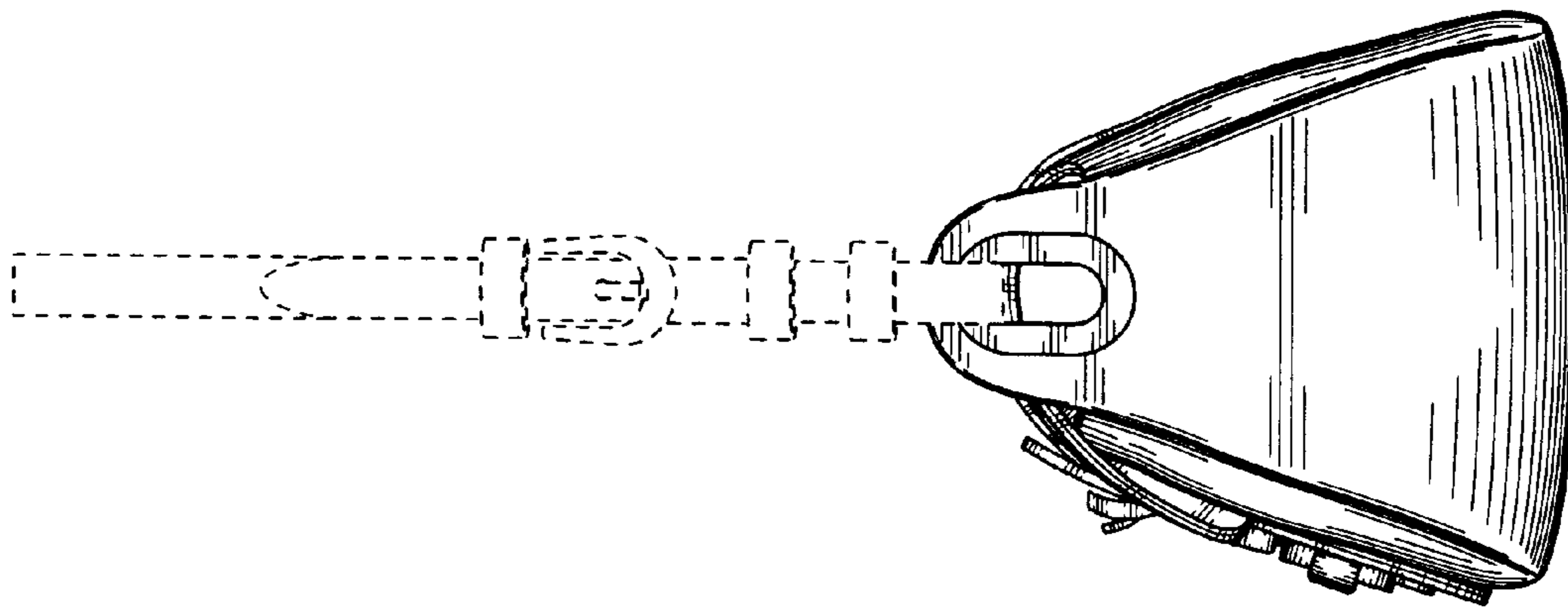


FIG. 4

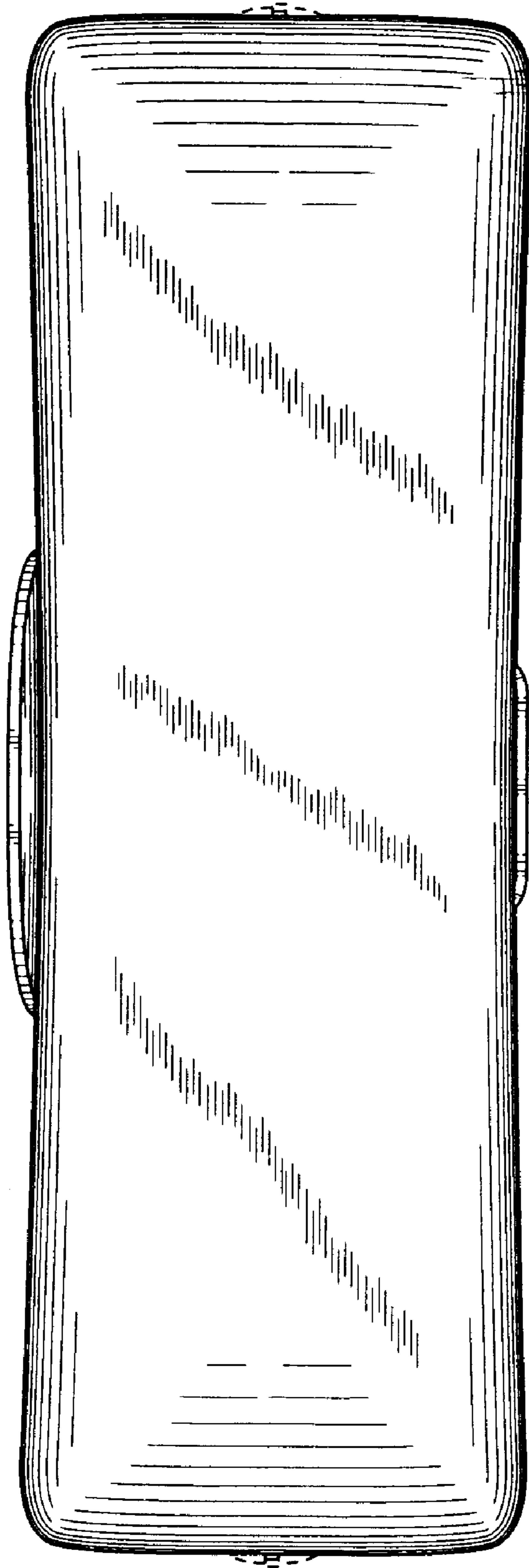


FIG. 5

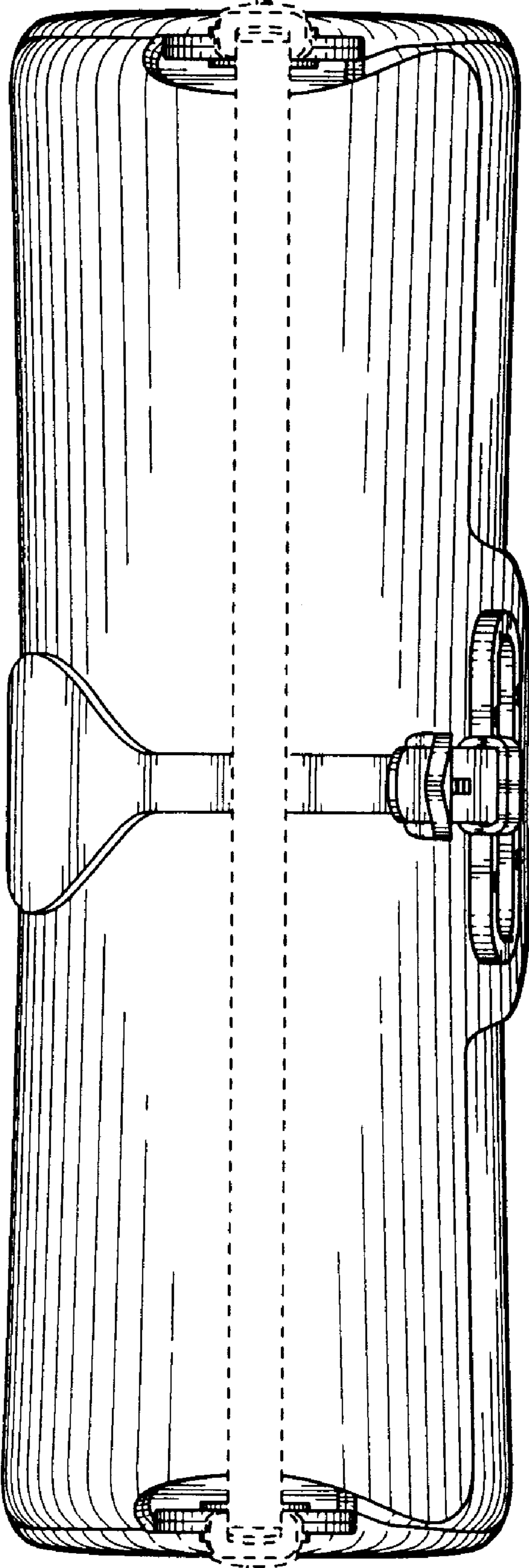


FIG. 6

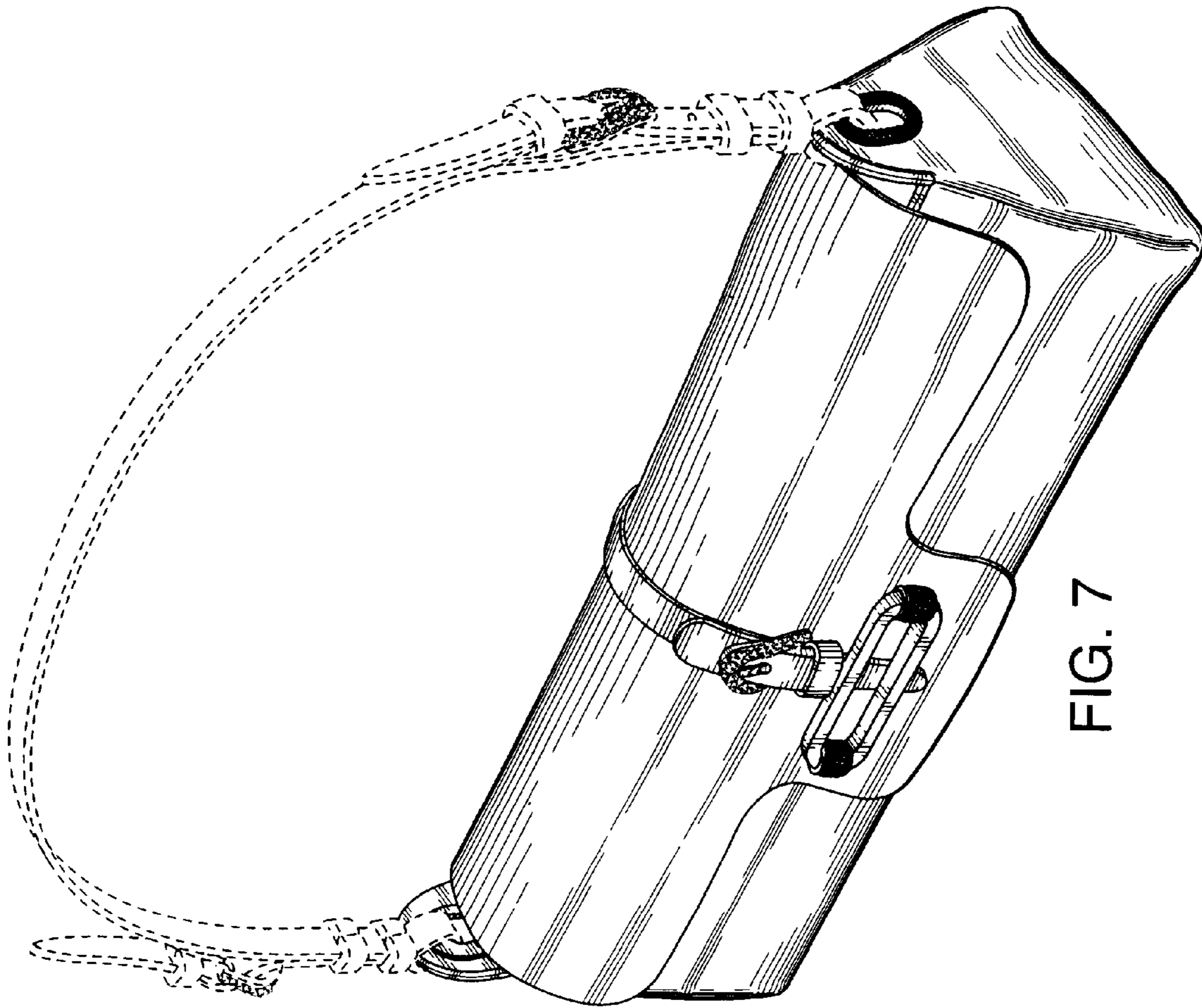


FIG. 7

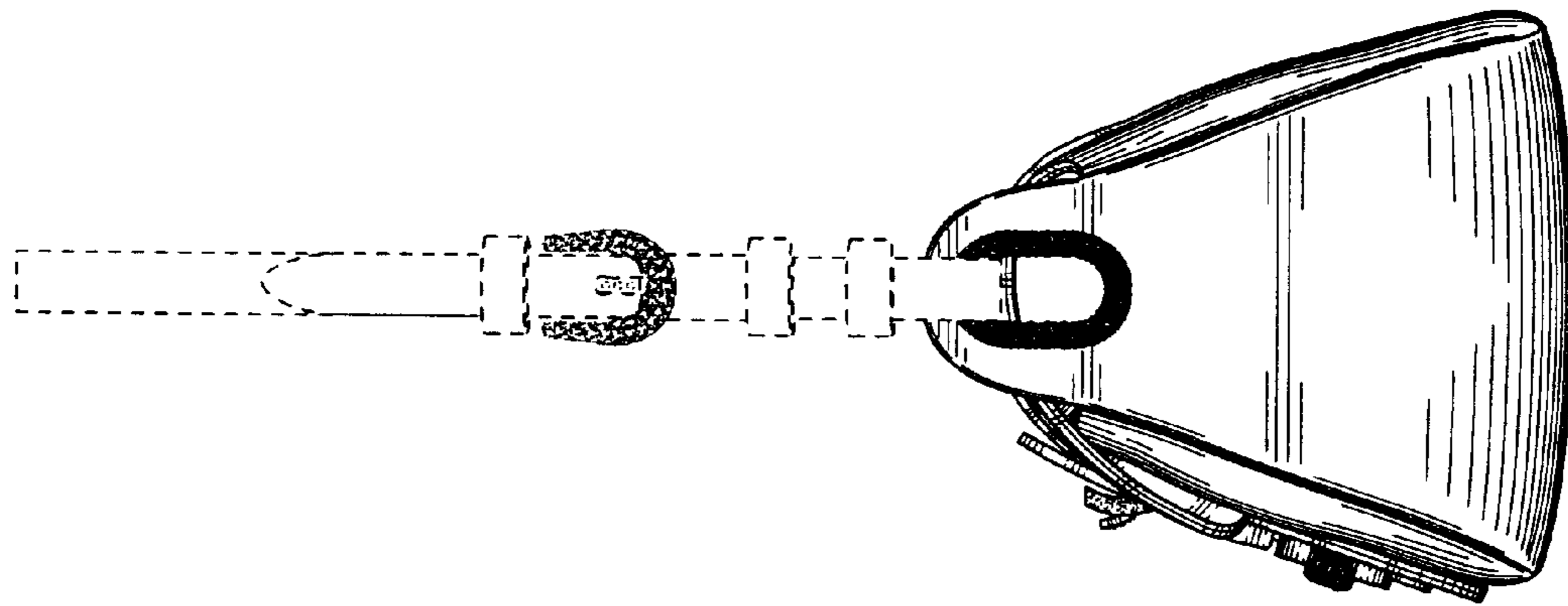


FIG. 8