



US00D519731S

(12) **United States Design Patent**
Andre et al.

(10) **Patent No.:** **US D519,731 S**

(45) **Date of Patent:** **** May 2, 2006**

- (54) **ELECTRONIC DEVICE HOLDER**
- (75) Inventors: **Bartley K. Andre**, Menlo Park, CA (US); **Daniel J. Coster**, San Francisco, CA (US); **Daniele De Iuliis**, San Francisco, CA (US); **Richard P. Howarth**, San Francisco, CA (US); **Jonathan P. Ive**, San Francisco, CA (US); **Duncan Robert Kerr**, San Francisco, CA (US); **Shin Nishibori**, San Francisco, CA (US); **Matthew Dean Rohrbach**, San Francisco, CA (US); **Douglas B. Satzger**, Menlo Park, CA (US); **Calvin Q. Seid**, Palo Alto, CA (US); **Christopher J. Stringer**, Pacifica, CA (US); **Eugene Anthony Whang**, San Francisco, CA (US)

(73) Assignee: **Apple Computer, Inc.**, Cupertino, CA (US)

(**) Term: **14 Years**

(21) Appl. No.: **29/230,848**

(22) Filed: **May 27, 2005**

Related U.S. Application Data

(62) Division of application No. 29/196,833, filed on Jan. 5, 2004, now Pat. No. Des. 503,532.

(51) **LOC (8) Cl.** **03-01**

(52) **U.S. Cl.** **D3/218**

(58) **Field of Classification Search** D3/218,
D3/215, 219, 230, 299, 201-205; 224/901,
224/904, 236, 240, 914; 206/305; 379/419-420,
379/454-455

See application file for complete search history.

(56) **References Cited**

U.S. PATENT DOCUMENTS

D171,247 S	1/1954	Charnota	D3/226
D306,654 S	3/1990	Brown	D3/218
D345,646 S	4/1994	Knapp	D3/218

D348,981 S	7/1994	Dill et al.	D3/218
D354,677 S	1/1995	Troyer	D8/396
D370,559 S	6/1996	Arndt	D3/229
D373,241 S	9/1996	Chavez et al.	D3/218
D375,197 S	11/1996	Laherty	D3/218
D392,097 S	3/1998	Pottala et al.	D3/218
D393,744 S	4/1998	Wandt et al.	D3/218
D418,119 S	12/1999	Rowell	D14/114
D426,701 S	6/2000	Edwards et al.	D3/218
D431,250 S	9/2000	Richter	D14/447
D434,898 S	12/2000	Jokinen et al.	D3/218
D457,309 S	* 5/2002	Tanaka	D3/218
D465,646 S	11/2002	Hendrickson	D3/218

(Continued)

OTHER PUBLICATIONS

U.S. Appl. No. 29/208,315, filed Jun. 24, 2004.

U.S. Appl. No. 29/227,456, filed Apr. 11, 2005.

Primary Examiner—Catherine R. Oliver

(74) *Attorney, Agent, or Firm*—Beyer Weaver & Thomas, LLP

(57) **CLAIM**

We claim the ornamental design for an electronic device holder, substantially as shown and described.

DESCRIPTION

FIG. 1 is a perspective view of an electronic device holder showing our new design;

FIG. 2 is a front view for the electronic device holder shown in FIG. 1.

FIG. 3 is a rear view for the electronic device holder shown in FIG. 1.

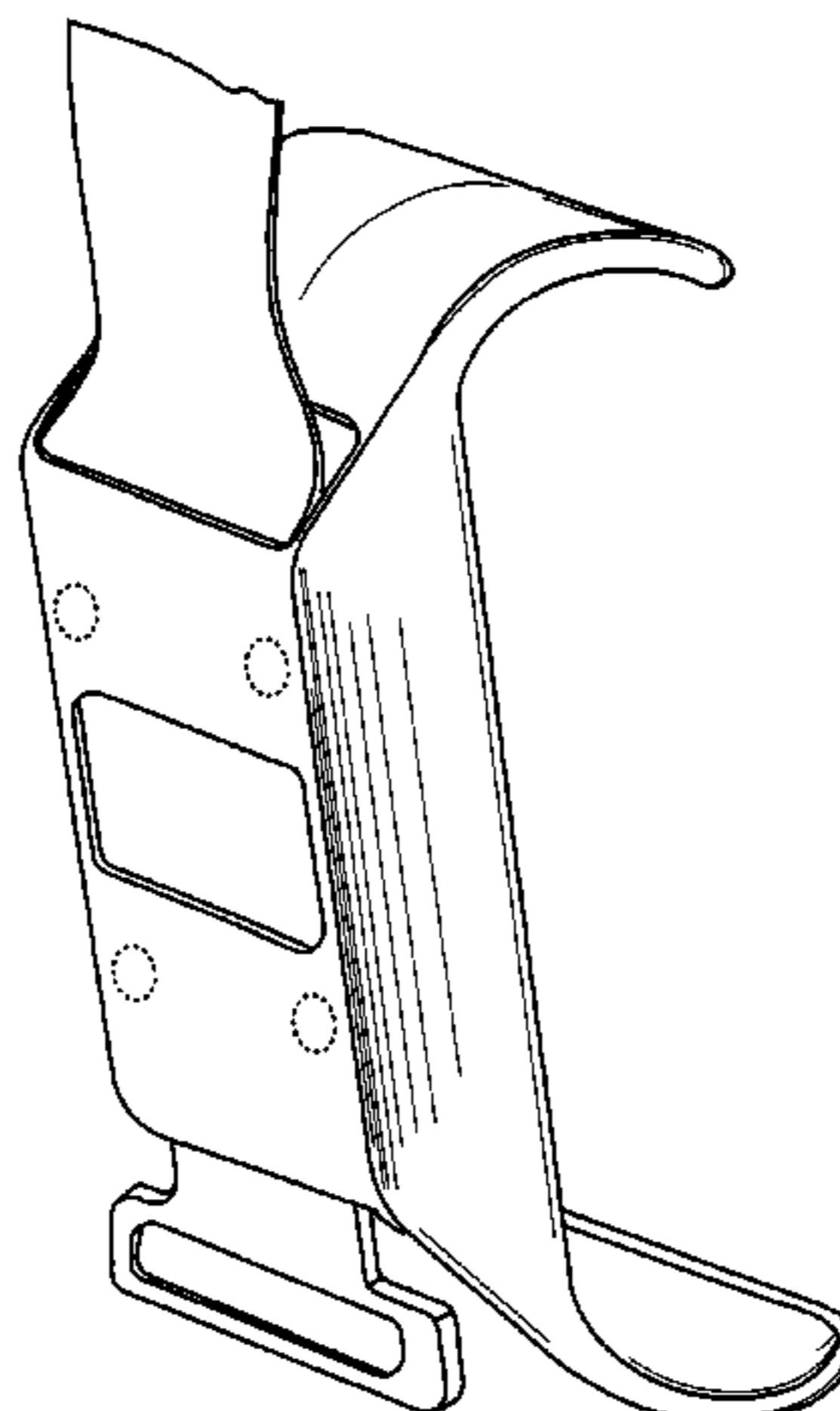
FIG. 4 is a left side view for the electronic device holder shown in FIG. 1.

FIG. 5 is a right side view for the electronic device holder shown in FIG. 1.

FIG. 6 is a top view for the electronic device holder shown in FIG. 1; and,

FIG. 7 is a bottom view for the electronic device holder shown in FIG. 1.

1 Claim, 4 Drawing Sheets



US D519,731 S

Page 2

U.S. PATENT DOCUMENTS

D466,287 S	12/2002	Tanaka	D3/218	D495,871 S	9/2004	Moffitt et al.	D3/215
D468,525 S	1/2003	Boyle et al.	D3/218	D501,309 S *	2/2005	Sterns	D3/203.2
D475,850 S	6/2003	Andre et al.	D3/218	D502,313 S *	3/2005	Lodato et al.	D3/218
D476,149 S	6/2003	Andre et al.	D3/218	D503,532 S	4/2005	Andre et al.	D3/218
D478,418 S *	8/2003	Badillo et al.	D3/218	D508,313 S *	8/2005	Cullen et al.	D3/215
D485,060 S	1/2004	DeCotis	D3/215				

* cited by examiner

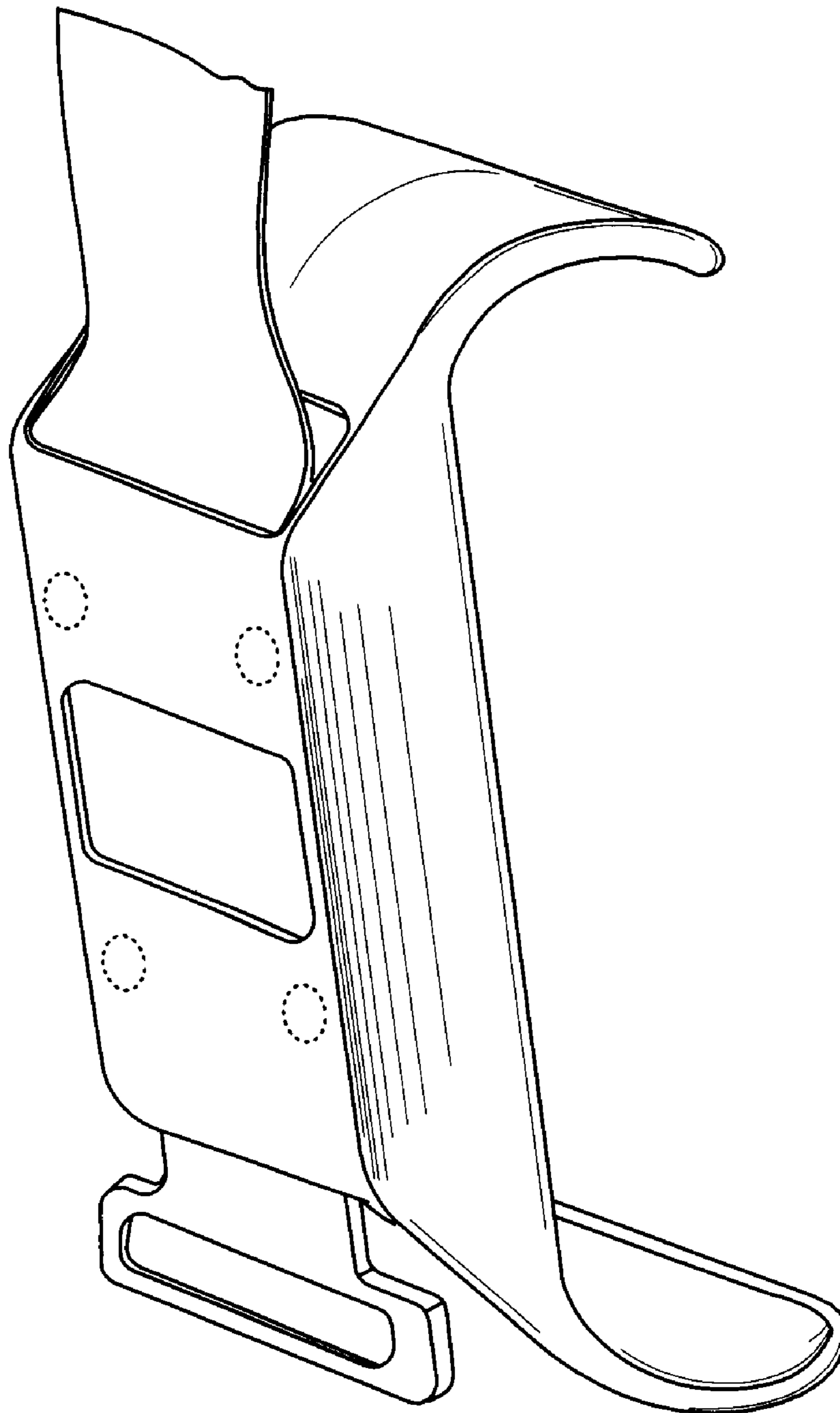


FIG. 1

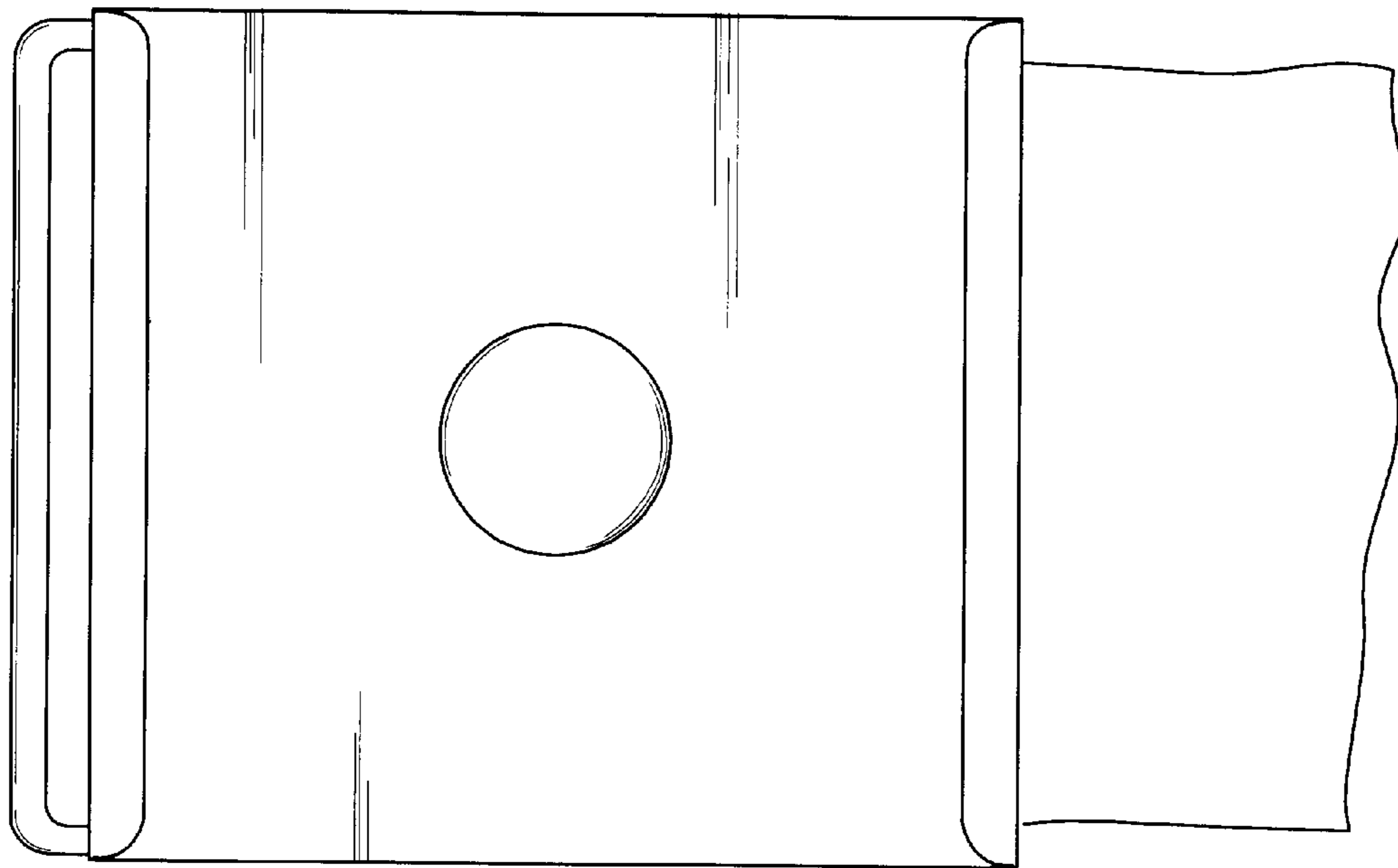


FIG. 2

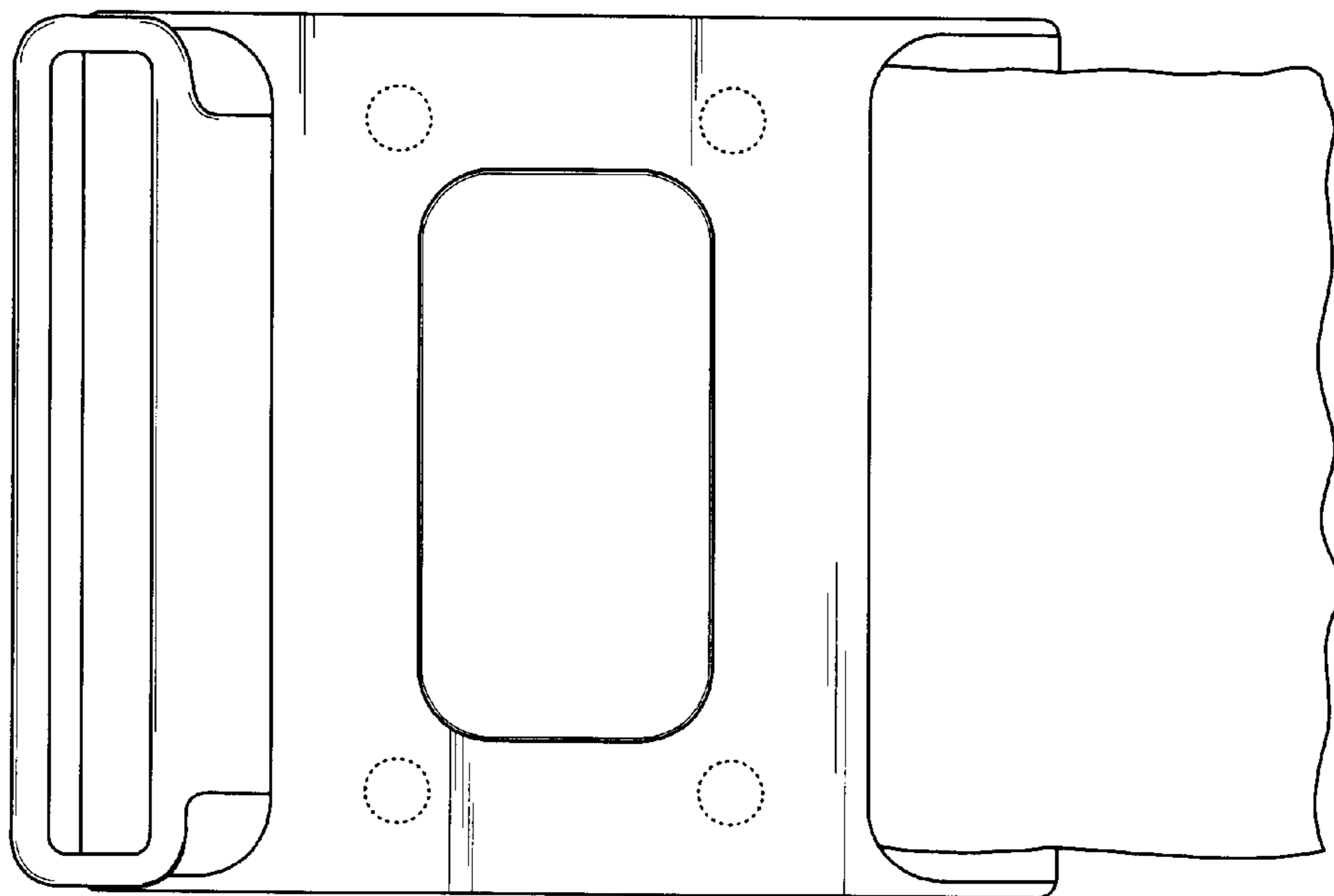


FIG. 3

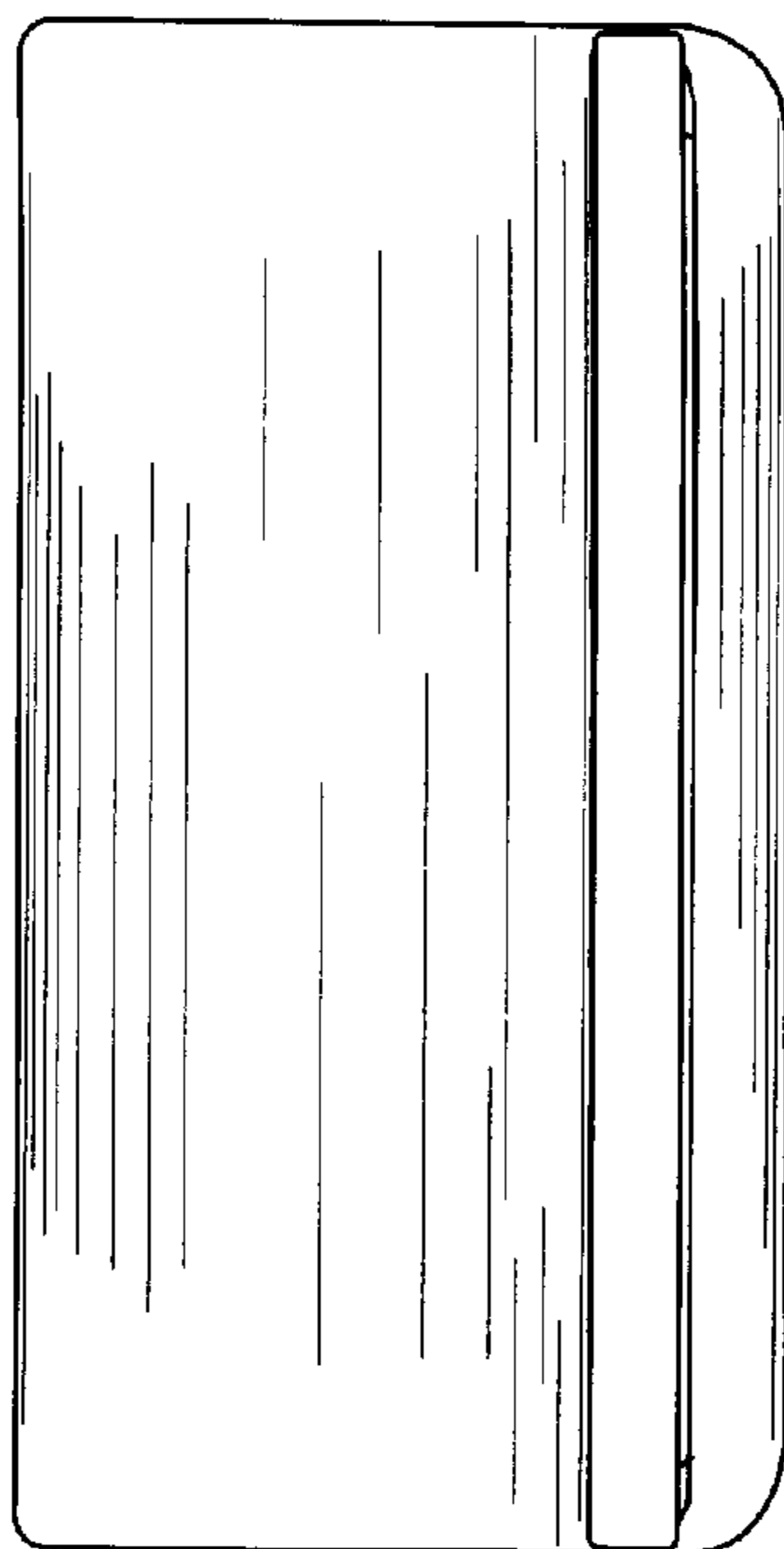


FIG. 4

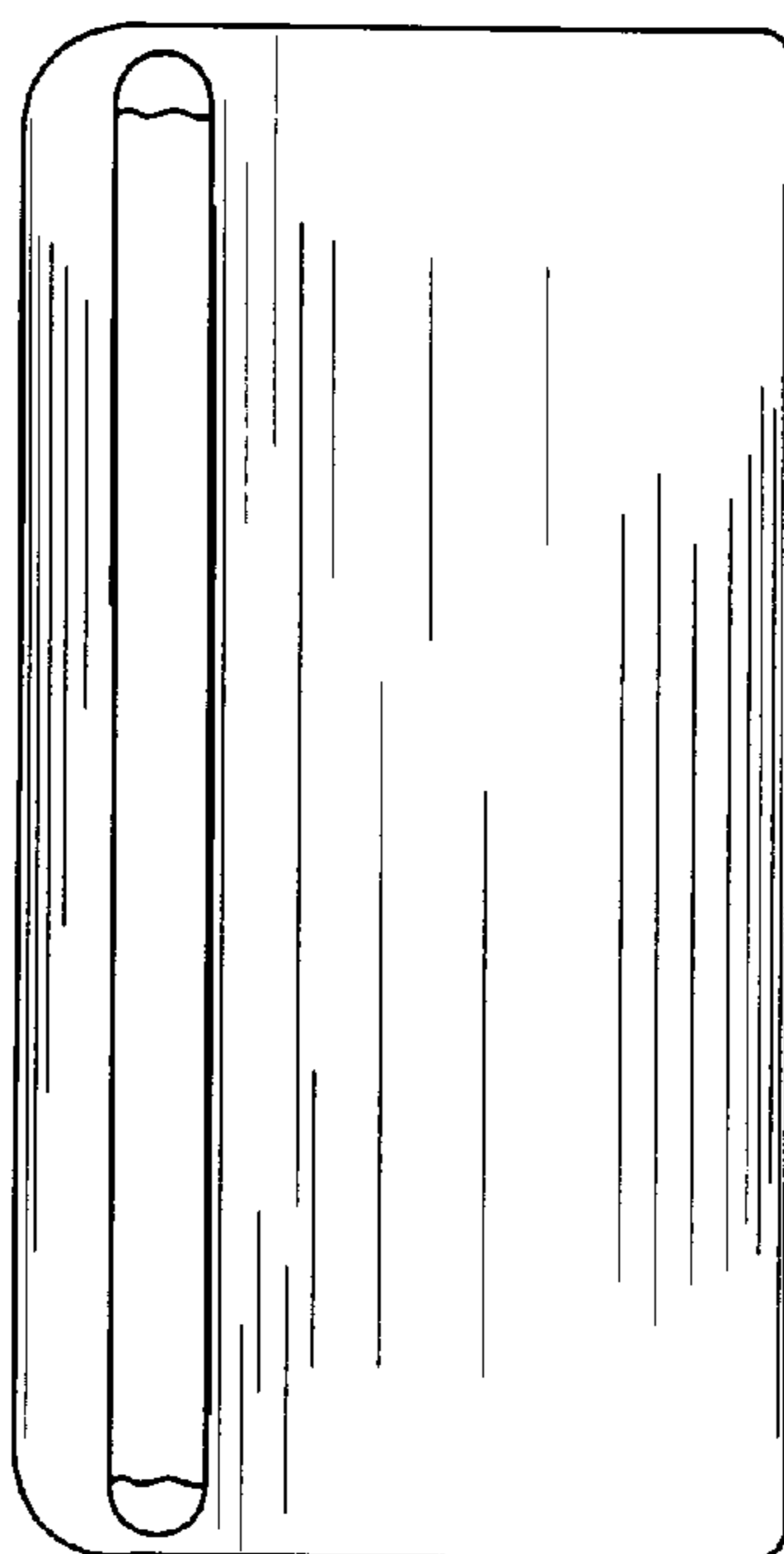


FIG. 5

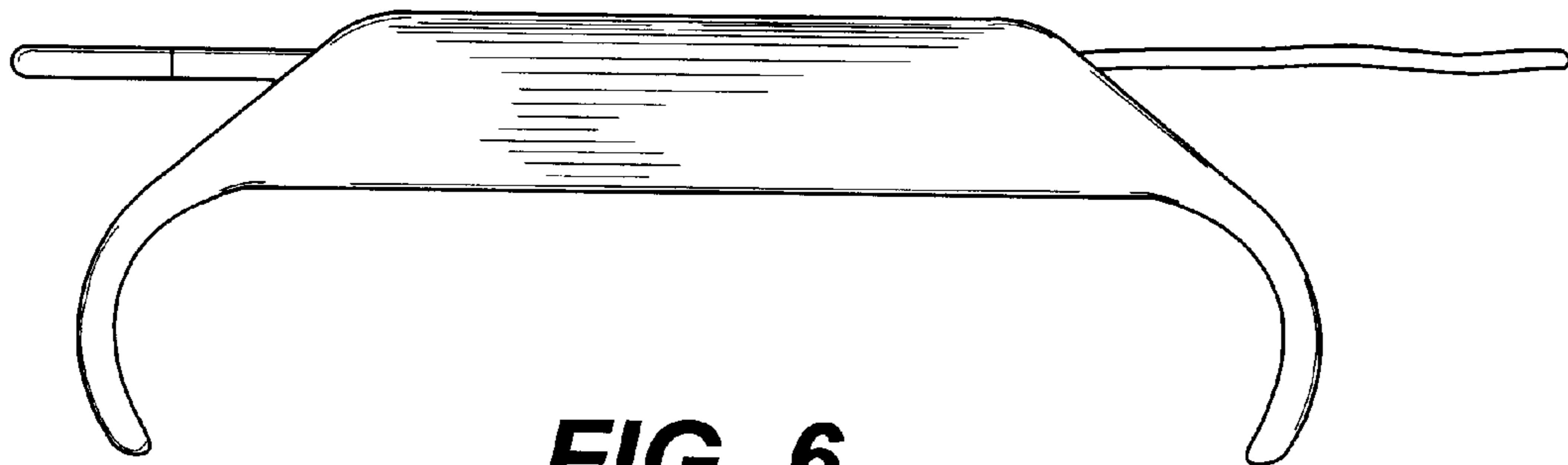


FIG. 6

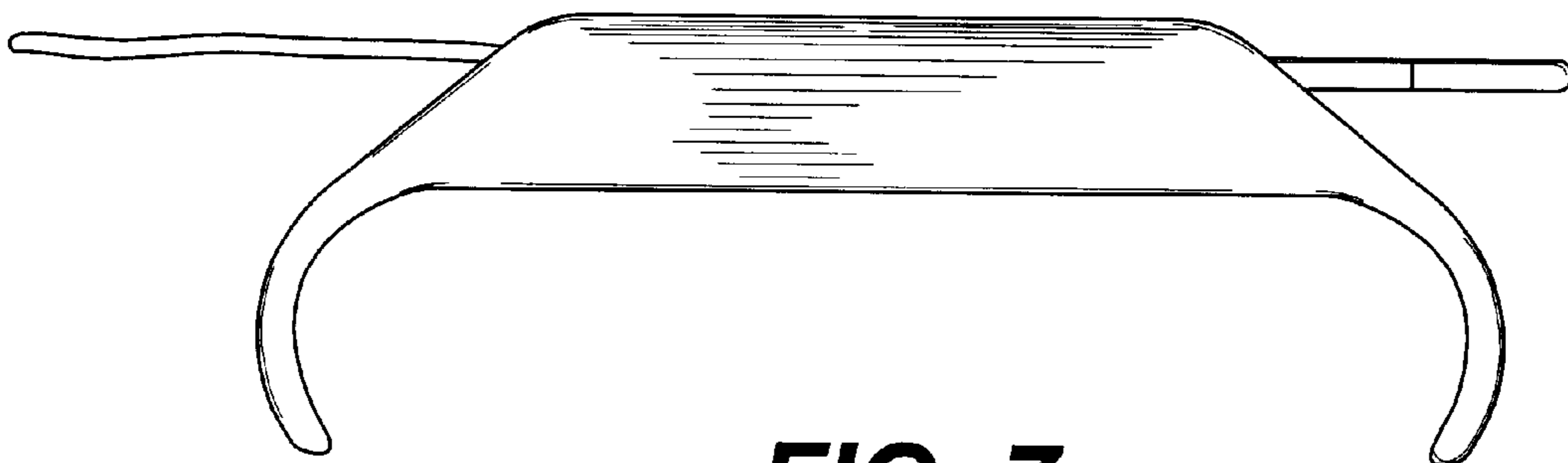


FIG. 7