



US00D519721S

(12) **United States Design Patent**
Castillo

(10) **Patent No.:** **US D519,721 S**

(45) **Date of Patent:** **** May 2, 2006**

(54) **SHOE COVER**

(76) **Inventor:** **Lunetta H Castillo**, 1200 S. 15th Ave.,
Maywood, IL (US) 60153

(**) **Term:** **14 Years**

(21) **Appl. No.:** **29/208,904**

(22) **Filed:** **Jul. 8, 2004**

(51) **LOC (8) Cl.** **02-04**

(52) **U.S. Cl.** **D2/909**

(58) **Field of Classification Search** D2/902,
D2/896, 907, 911, 915, 919, 923-925, 939,
D2/969; 36/3 A, 7.1 R, 113, 97
See application file for complete search history.

3,399,470 A	9/1968	Schofield	
4,583,304 A	* 4/1986	Spalding	36/113
5,056,240 A	10/1991	Sherril	
5,425,186 A	* 6/1995	Hoyt	36/97
D388,592 S	* 1/1998	Minden	D2/919
D500,191 S	* 12/2004	Belley et al.	D2/969

* cited by examiner

Primary Examiner—Stella Reid

Assistant Examiner—Rashida C. McCoy

(74) *Attorney, Agent, or Firm*—Crossley Patent Law; Mark
Ashley Crossley

(57) **CLAIM**

The ornamental design for a shoe cover, as shown and
described.

DESCRIPTION

FIG. 1 is a side view of a shoe cover showing my new
design;

FIG. 2 is a back view thereof;

FIG. 3 is a front view thereof;

FIG. 4 is a top plan view thereof; and,

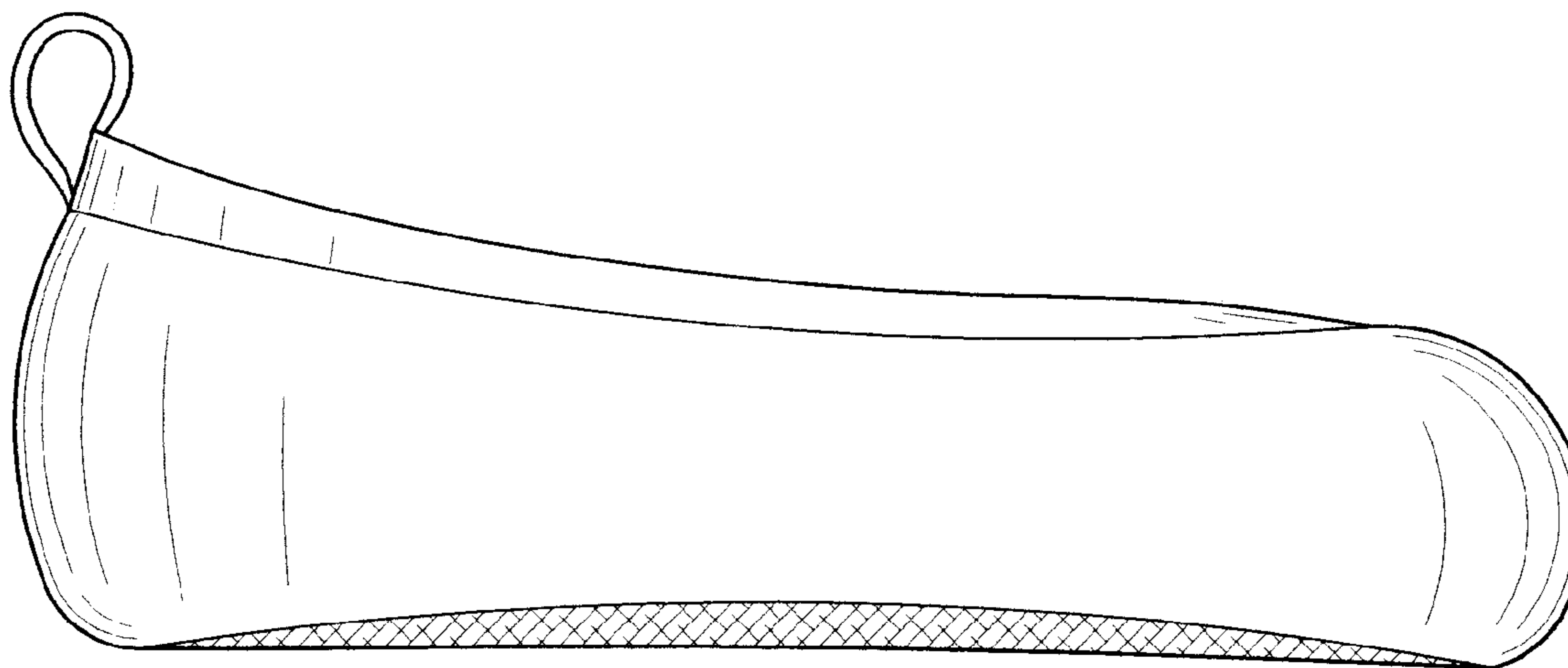
FIG. 5 is a bottom view thereof.

1 Claim, 2 Drawing Sheets

(56) **References Cited**

U.S. PATENT DOCUMENTS

22,421 A	* 12/1858	Bruckman	292/91
1,537,778 A	* 5/1925	Nyhagen	36/7.3
1,746,019 A	* 2/1930	Tilton	12/142 P
1,844,885 A	* 2/1932	Harris	36/8.3
D133,819 S	* 9/1942	Harris	D2/939
2,799,951 A	7/1957	Rogers	
D205,755 S	9/1966	Slade	



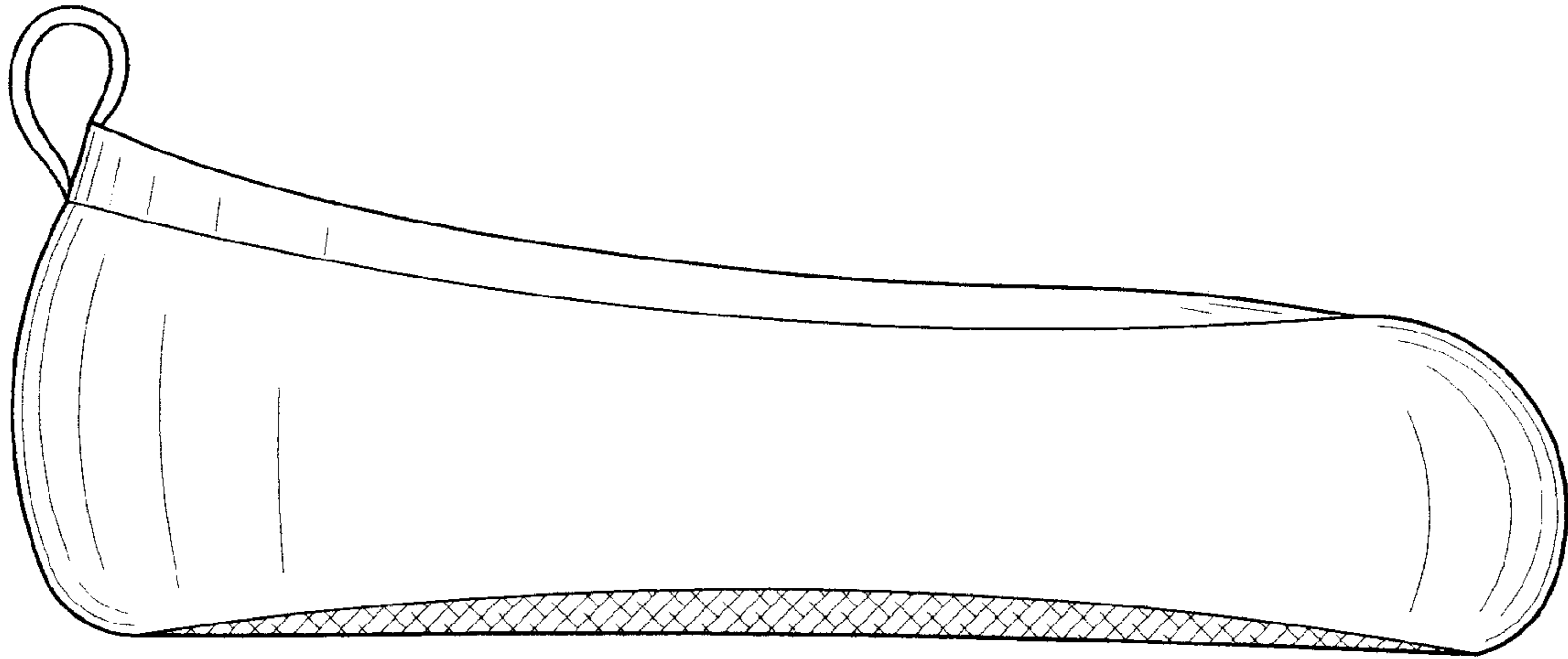


FIG. 1

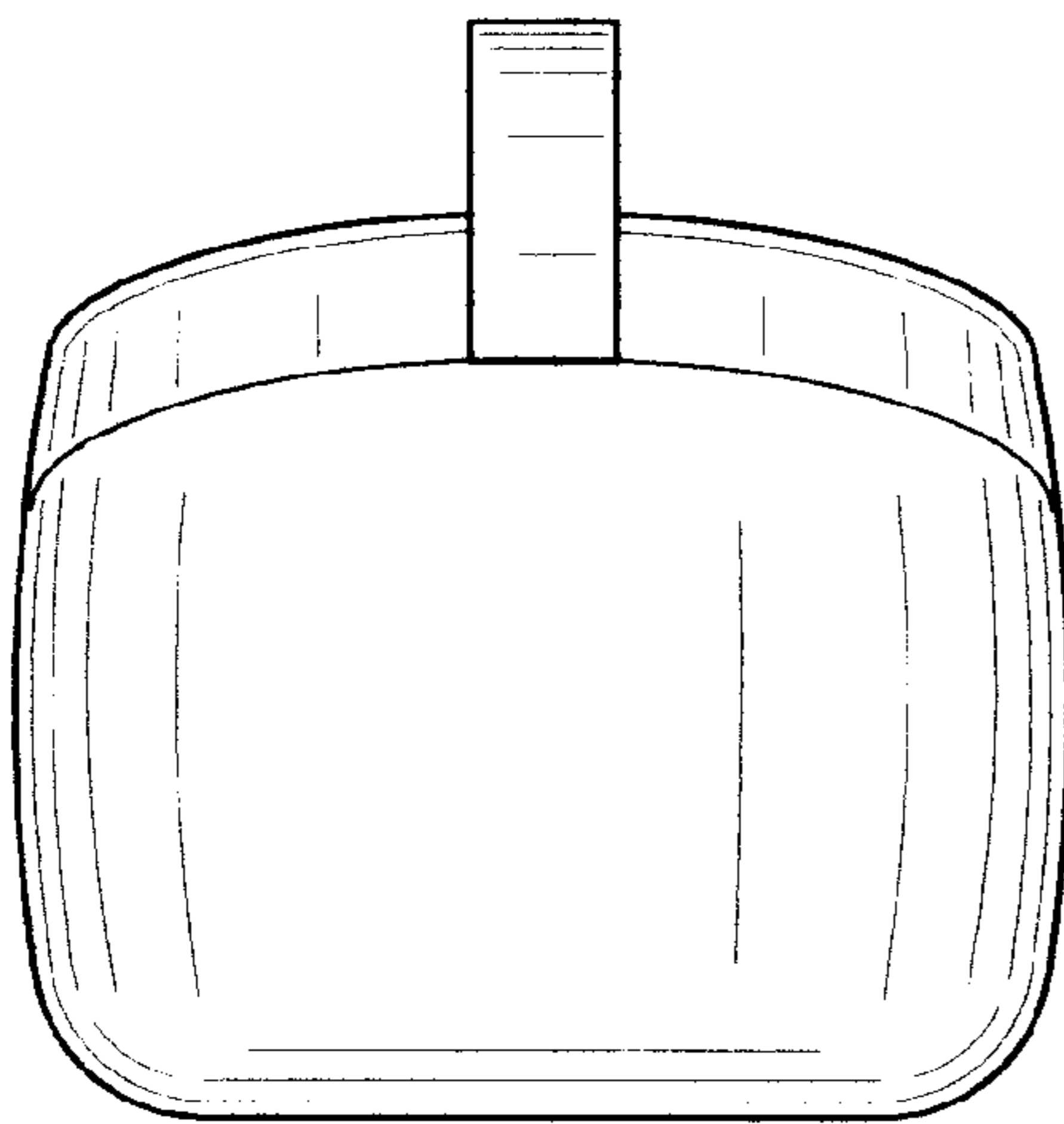


FIG. 2

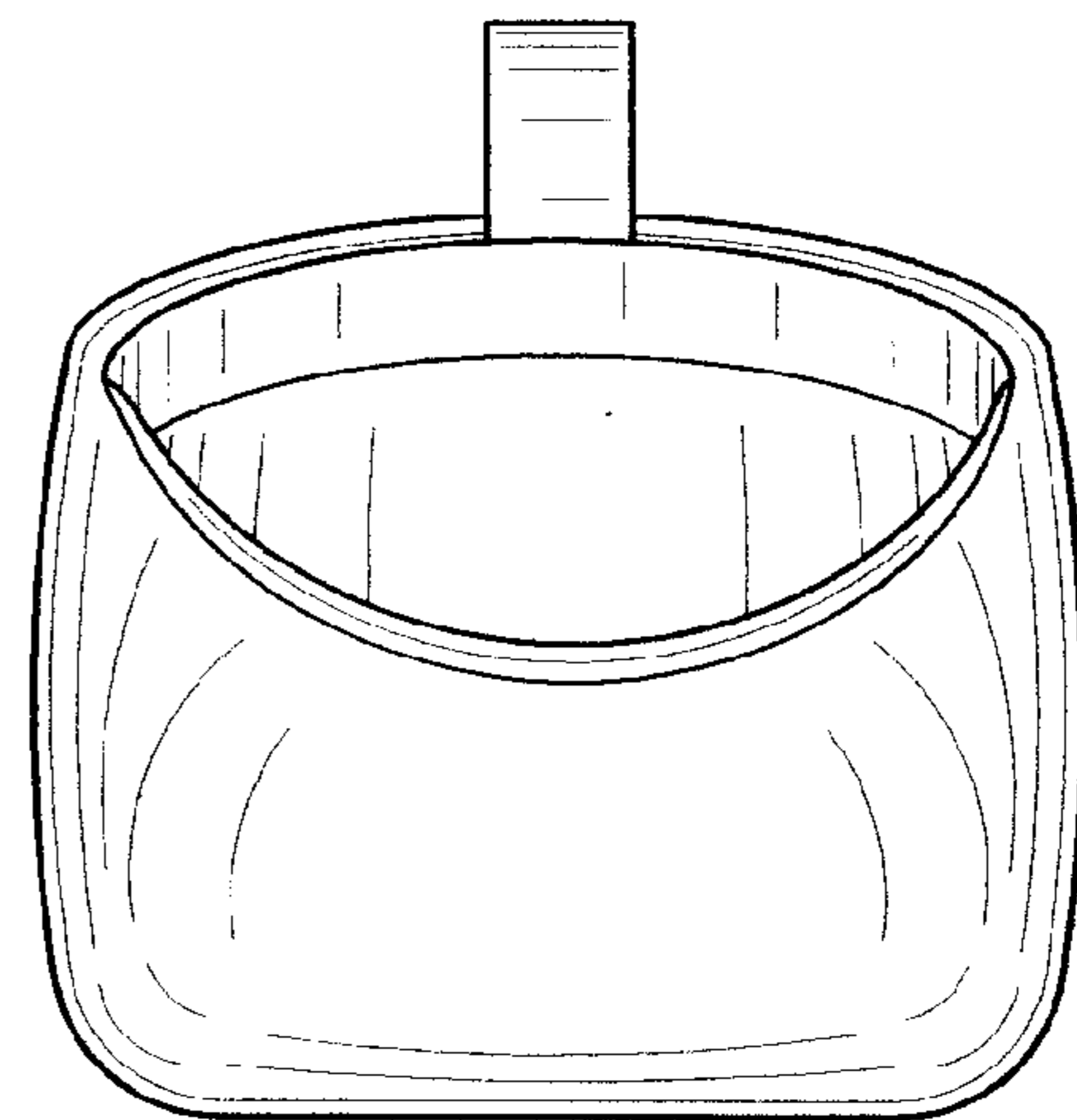


FIG. 3

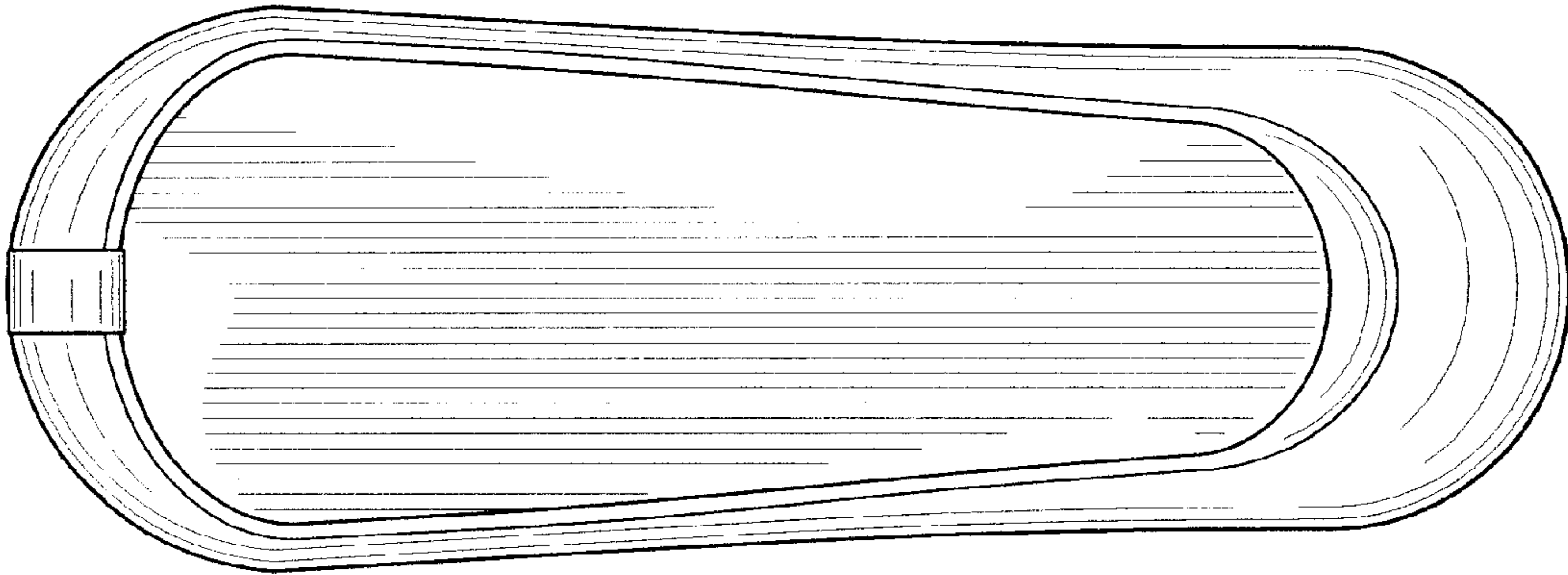


FIG. 4

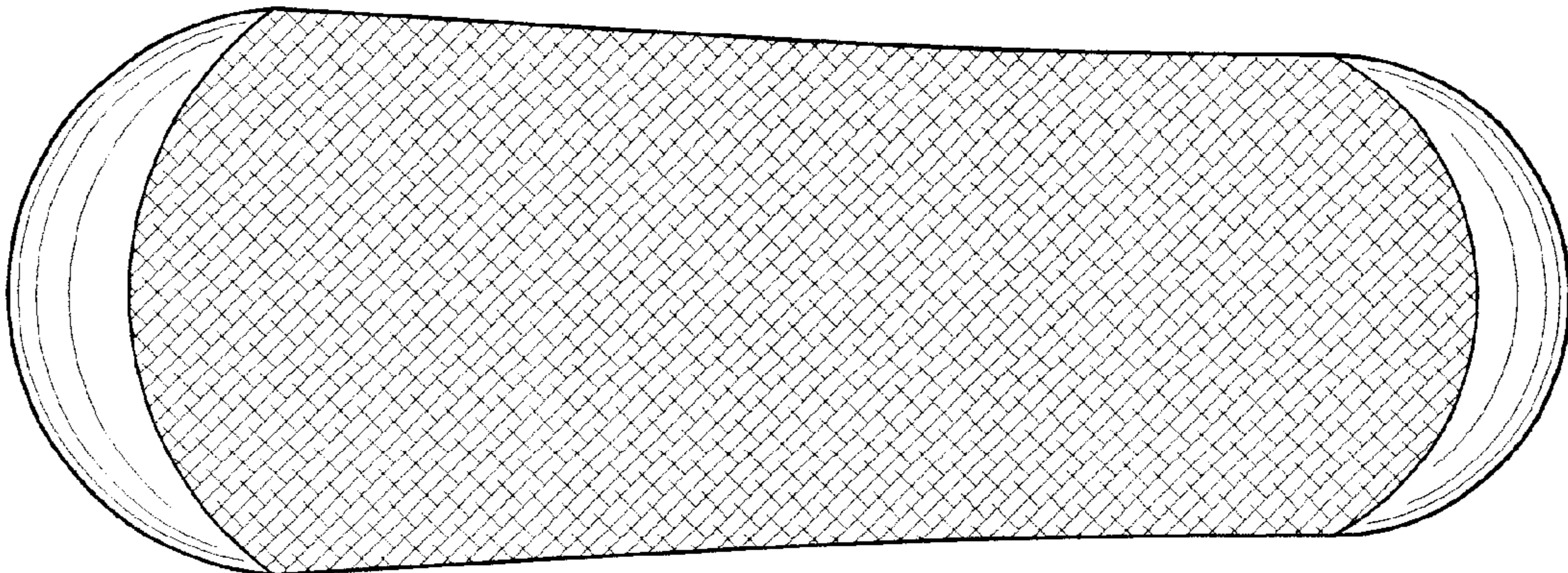


FIG. 5