



US00D519717S

(12) **United States Design Patent**
Kim

(10) **Patent No.:** **US D519,717 S**
(45) **Date of Patent:** **** May 2, 2006**

(54) **SLITTED CAP**

(75) Inventor: **Sang Hoon Kim**, Seoul (KR)

(73) Assignee: **Dada Corp.**, Seoul (KR)

(**) Term: **14 Years**

(21) Appl. No.: **29/210,837**

(22) Filed: **Aug. 9, 2004**

(51) **LOC (8) Cl.** **02-03**

(52) **U.S. Cl.** **D2/893**

(58) **Field of Classification Search** D2/230,
D2/231, 882-884, 886, 868, 876, 879, 865,
D2/866, 869, 893, 872, 873; 2/10, 12, 171,
2/174, 410, 452, 906, 909, 181, 195.1, 195.7,
2/195, 209.12, 20, 183; 362/106

See application file for complete search history.

(56) **References Cited**

U.S. PATENT DOCUMENTS

4,549,316	A	10/1985	Johnson	
D289,700	S	* 5/1987	Burns	D2/884
5,450,629	A	9/1995	Gilstrap	
D367,158	S	* 2/1996	Baker	D2/882
5,669,071	A	9/1997	Vu	
5,676,449	A	* 10/1997	Newsome	362/106
D391,741	S	* 3/1998	Baker	D2/882
D396,942	S	* 8/1998	Toscani	D2/882

D403,140	S	* 12/1998	Goranovic	D2/872
D429,404	S	* 8/2000	DeChambeau	D2/866
6,163,888	A	* 12/2000	Park	2/183
D453,608	S	* 2/2002	Park	D2/866
6,357,051	B1	* 3/2002	Lee	2/195.1
D455,247	S	* 4/2002	DeChambeau	D2/866
6,560,785	B1	5/2003	Taguchi	
D493,607	S	* 8/2004	Park	D2/893
D494,341	S	* 8/2004	Park	D2/876

* cited by examiner

Primary Examiner—Robert M. Spear
Assistant Examiner—Mary Ann Calabrese

(57) **CLAIM**

The ornamental design for a slitted cap, as shown and described.

DESCRIPTION

FIG. 1 is a perspective view of a slitted cap showing my new design;

FIG. 2 is a front elevational view thereof;

FIG. 3 is a right elevational view thereof;

FIG. 4 is a bottom elevational view thereof; and,

FIG. 5 is perspective thereof, showing my design in an alternate environment.

The broken line showing of the crown is for illustrative purpose only and forms no part of the claimed design.

1 Claim, 3 Drawing Sheets

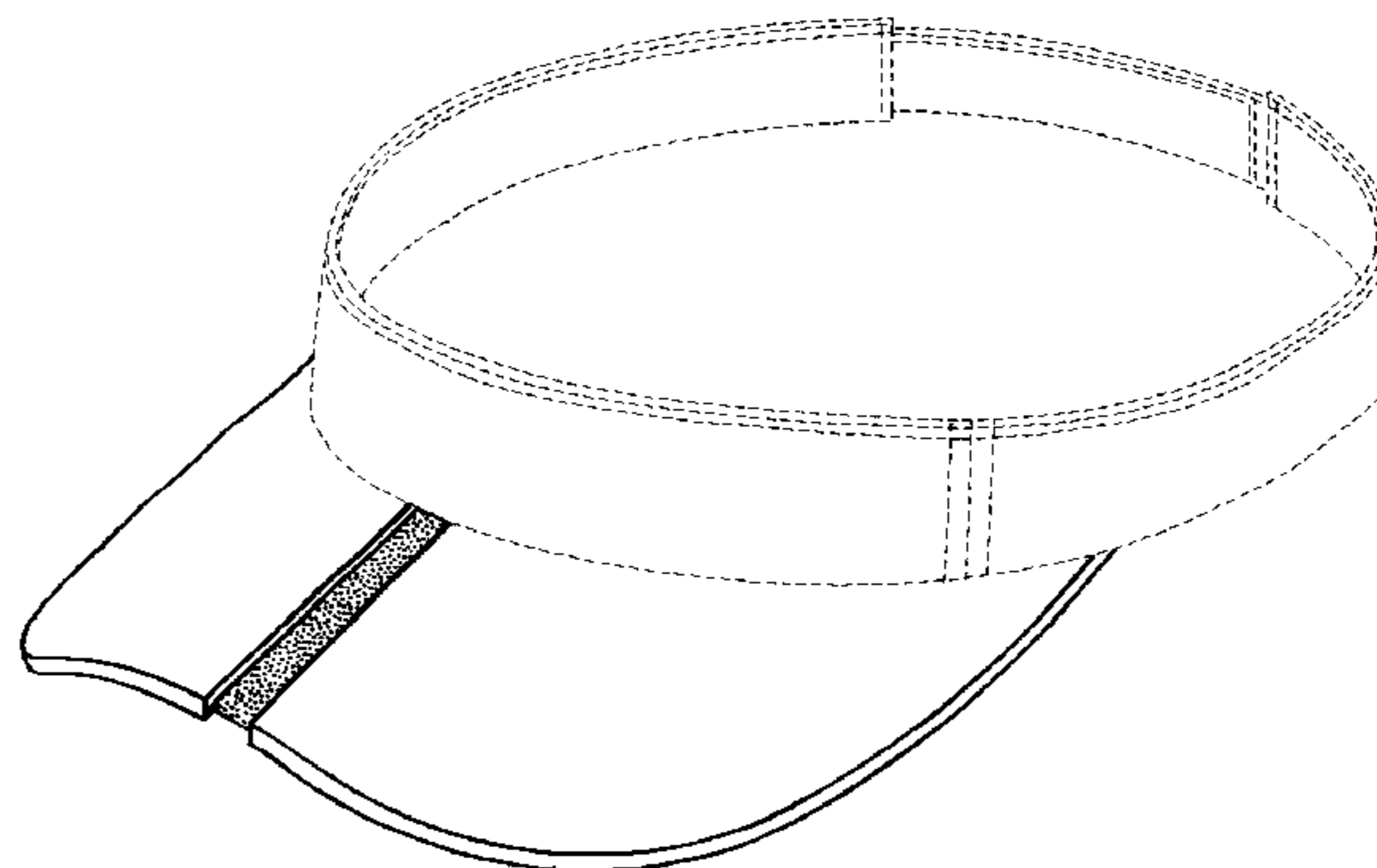
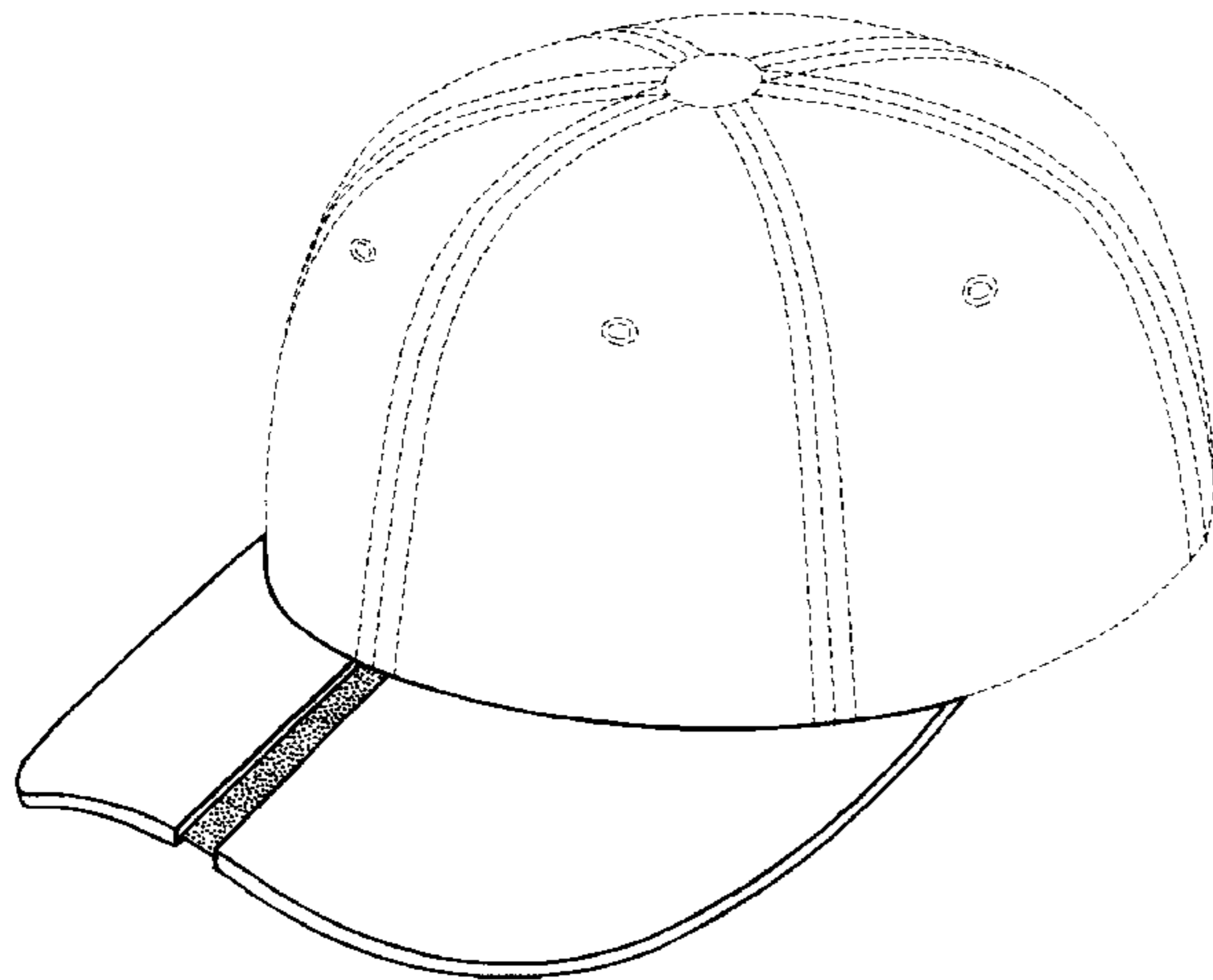


FIG. 1

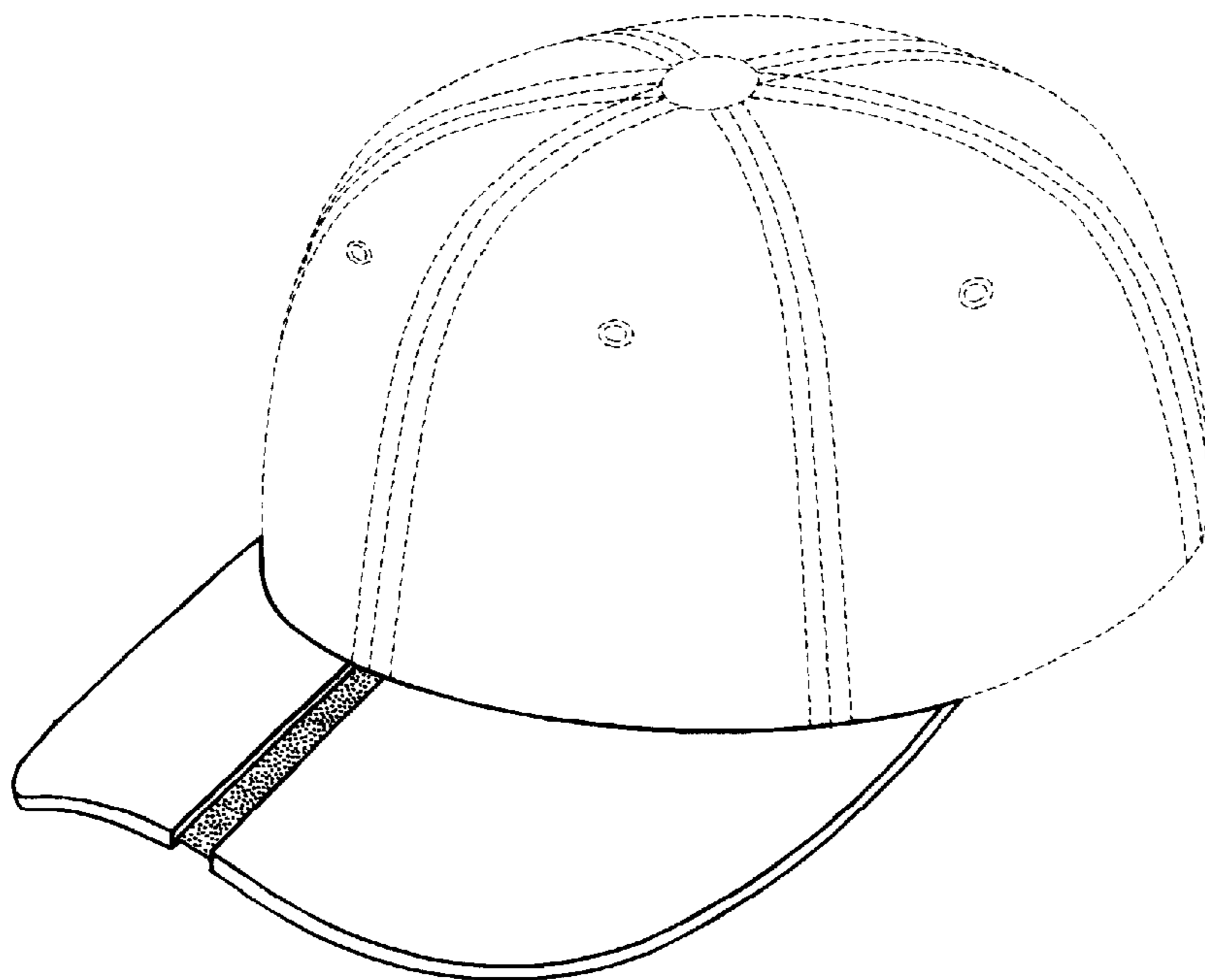


FIG. 2

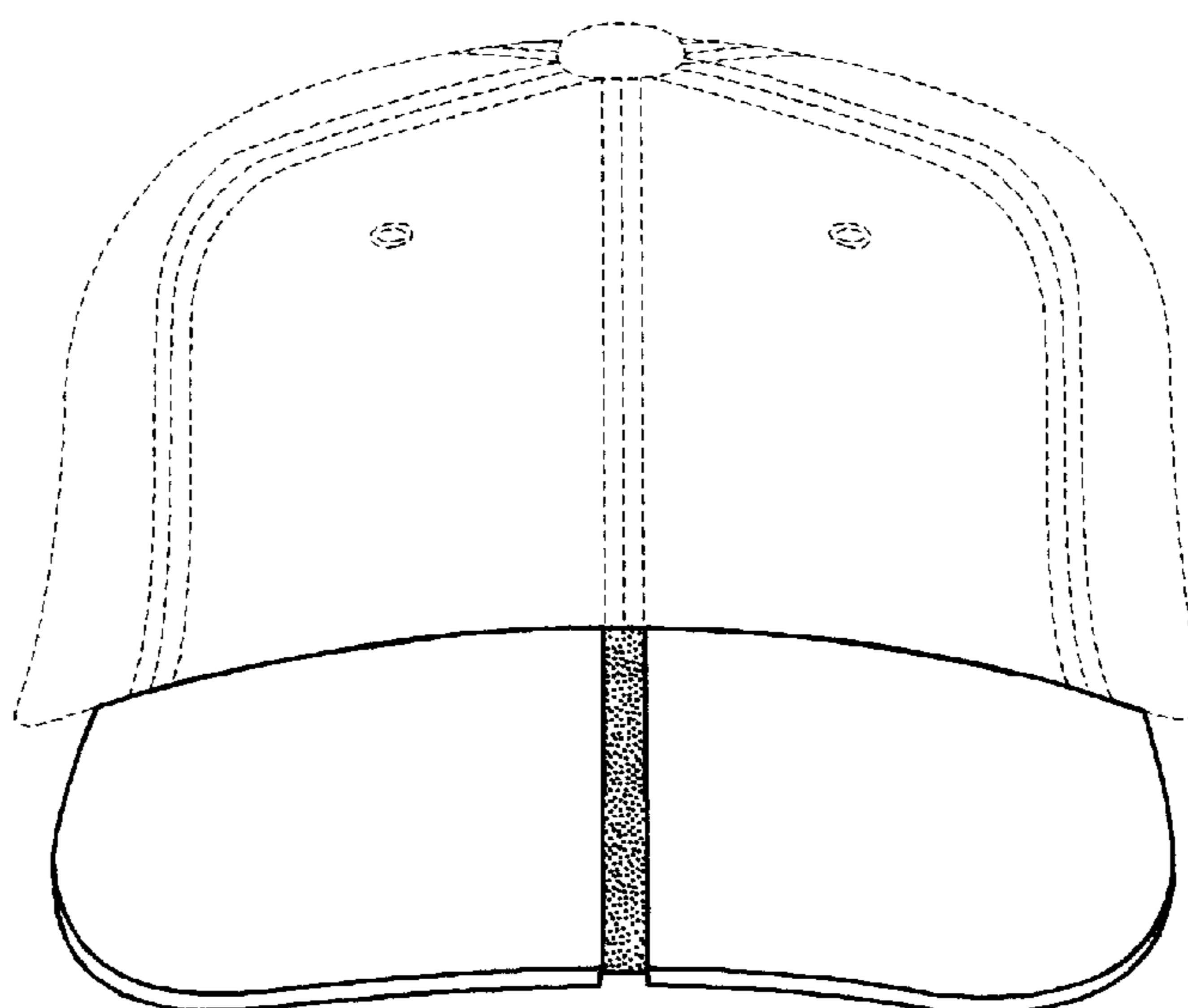


FIG. 3

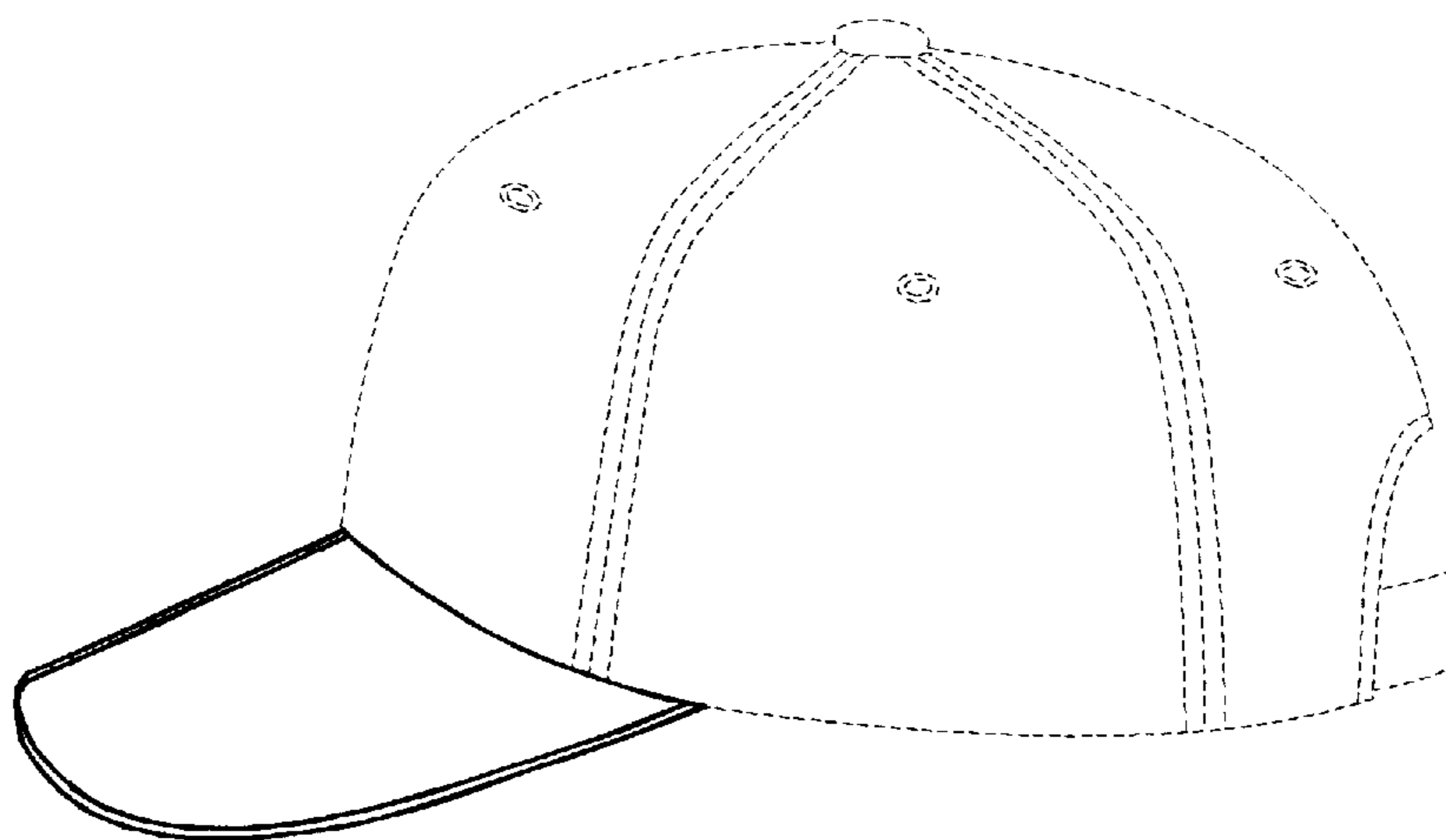


FIG. 4

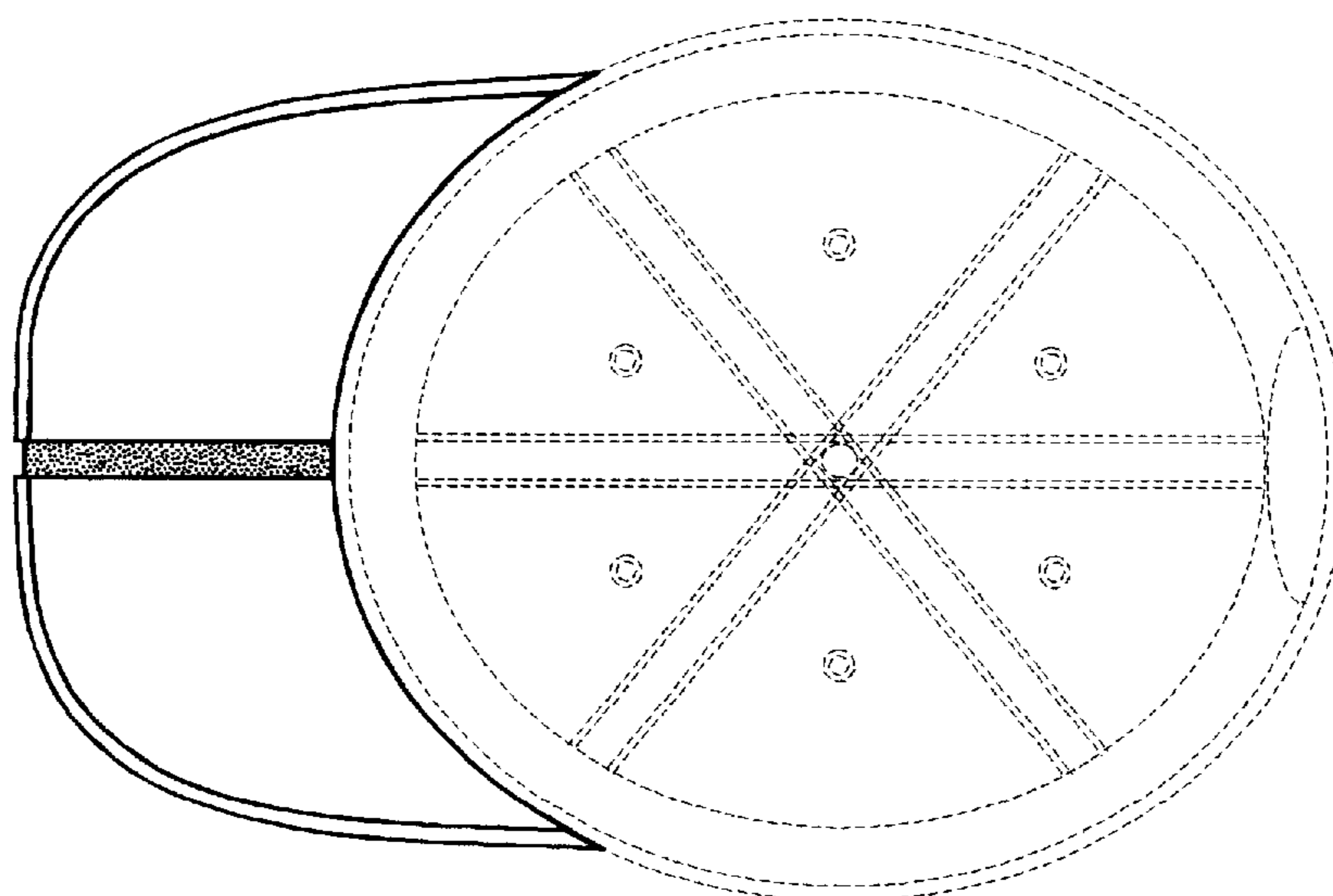


FIG. 5

