



US00D519716S

(12) **United States Design Patent**  
**Smith**

(10) **Patent No.:** **US D519,716 S**

(45) **Date of Patent:** **\*\* May 2, 2006**

(54) **BANDANA-SIMULATED HEAD GARMENT**  
(75) Inventor: **Dorian E Smith**, 3100 River Exchange  
Dr., Apartment 335, Norcross, GA (US)  
30092

(73) Assignee: **Dorian E Smith**, Norcross, GA (US)

(\*\*) Term: **14 Years**

(21) Appl. No.: **29/210,399**

(22) Filed: **Aug. 2, 2004**

(51) **LOC (8) Cl.** ..... **02-03**

(52) **U.S. Cl.** ..... **D2/875**

(58) **Field of Classification Search** ..... D2/865,  
D2/871, 875, 894, 877; 2/174, 170, 202,  
2/411, 209.3, 171, 209.12, 181, 181.6, 184,  
2/209.4, 195.3; D29/108; 239/34, 36; 132/200,  
132/213; 359/518

See application file for complete search history.

(56) **References Cited**

**U.S. PATENT DOCUMENTS**

4,499,741	A	2/1985	Harris	
4,517,685	A *	5/1985	Lesley	359/518
4,521,922	A	6/1985	Miychell et al.	
4,918,758	A *	4/1990	Rendina	2/171
D316,774	S *	5/1991	Falk	D2/875
5,033,122	A *	7/1991	Smith	2/209.3
5,058,211	A	10/1991	Hanks	
5,146,630	A	9/1992	Richard	

5,293,884	A *	3/1994	Chapman et al.	132/200
5,377,360	A	1/1995	Fleitman	
D377,241	S *	1/1997	Kenner	D29/108
D402,091	S *	12/1998	Bratcher	D2/894
5,954,063	A *	9/1999	Pomaro	132/213
6,266,826	B1 *	7/2001	Alfano	2/411
6,295,992	B1 *	10/2001	Sapp	132/200
D463,899	S	10/2002	Young et al.	
6,643,848	B1 *	11/2003	May	2/209.12
6,701,532	B1 *	3/2004	Glassberg et al.	2/170
6,712,286	B1 *	3/2004	Baxter et al.	239/36

\* cited by examiner

*Primary Examiner*—Robert M. Spear

*Assistant Examiner*—Mary Ann Calabrese

(74) *Attorney, Agent, or Firm*—Law Office of Ashkan Najafi, P.A.

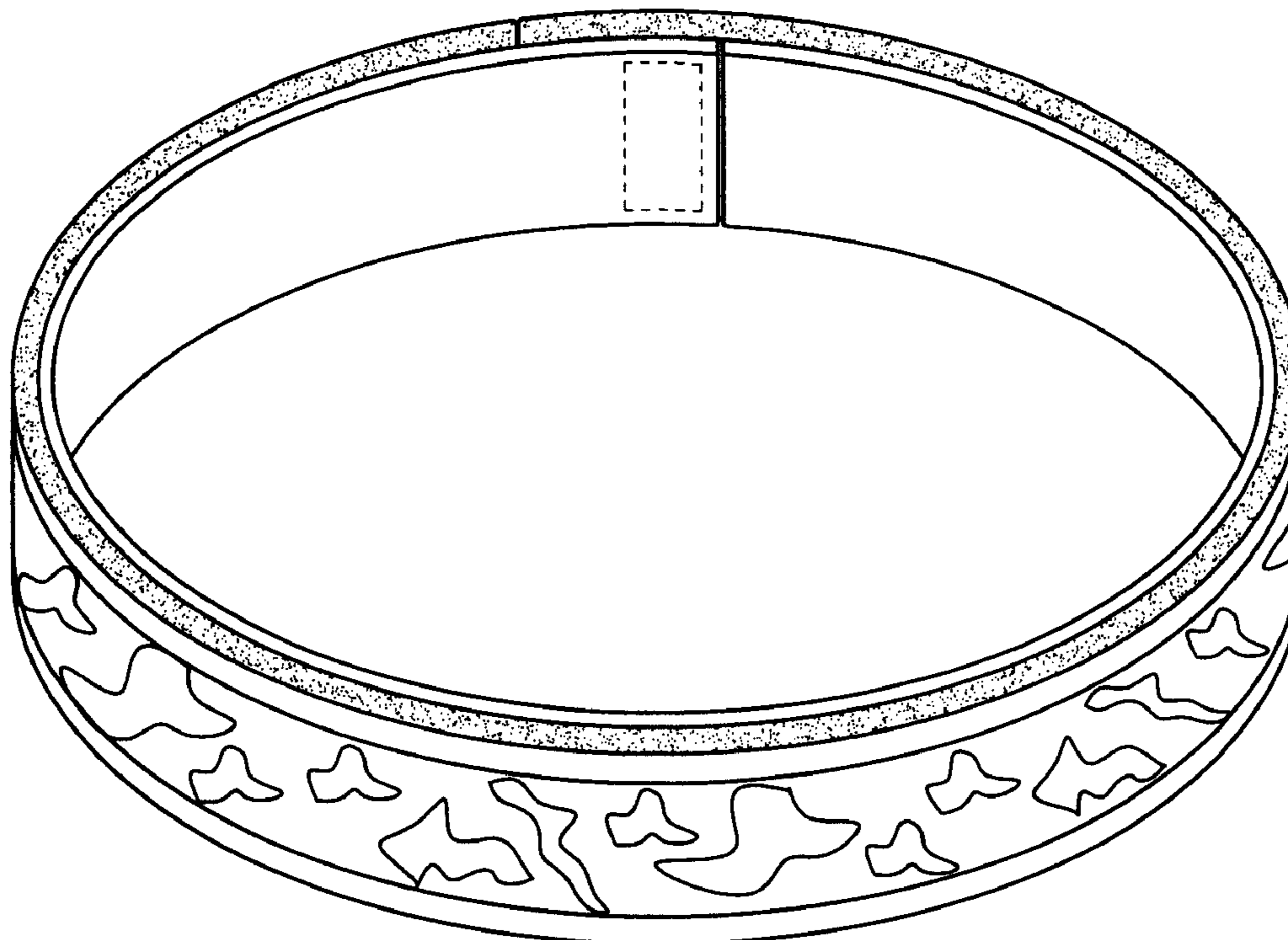
(57) **CLAIM**

The ornamental design for a bandana-simulated head garment, as shown and described.

**DESCRIPTION**

FIG. 1 is a front elevational view of a bandana-simulated head garment showing my new design; FIG. 2 is a rear elevational view thereof; FIG. 3 is a top plan view thereof; and, FIG. 4 is a perspective view thereof. In the drawings, the broken lines represent environmental structure forming no part of the claimed design.

**1 Claim, 3 Drawing Sheets**



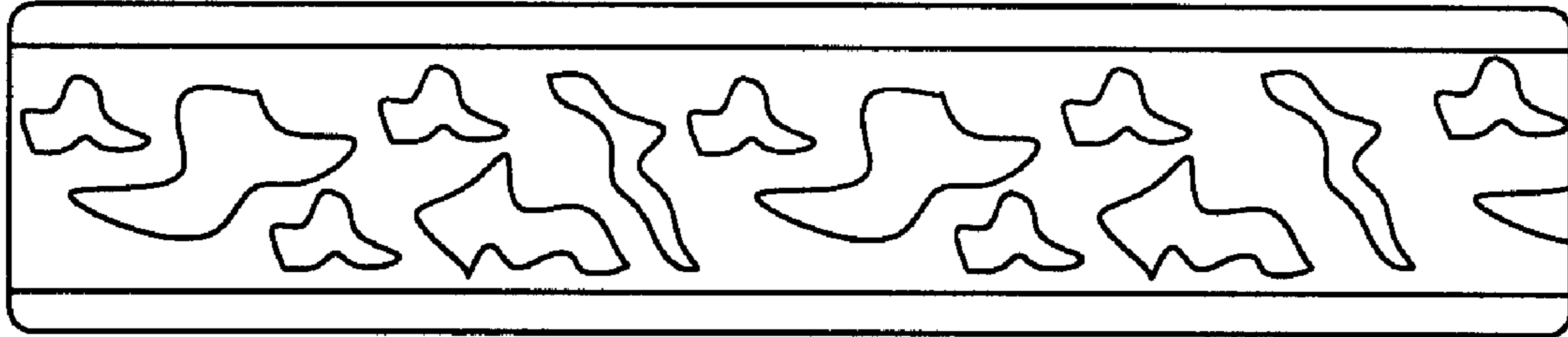


FIG. 1

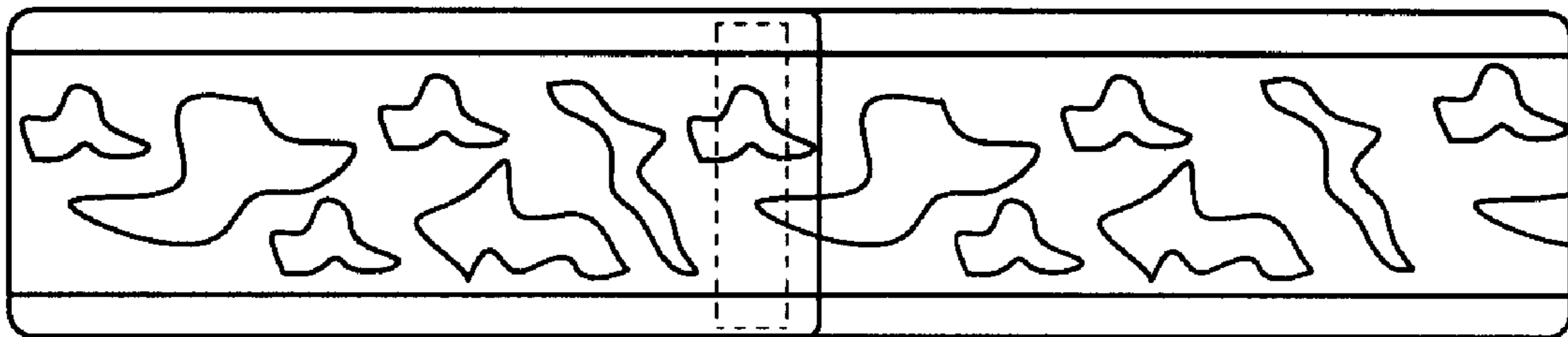


FIG. 2

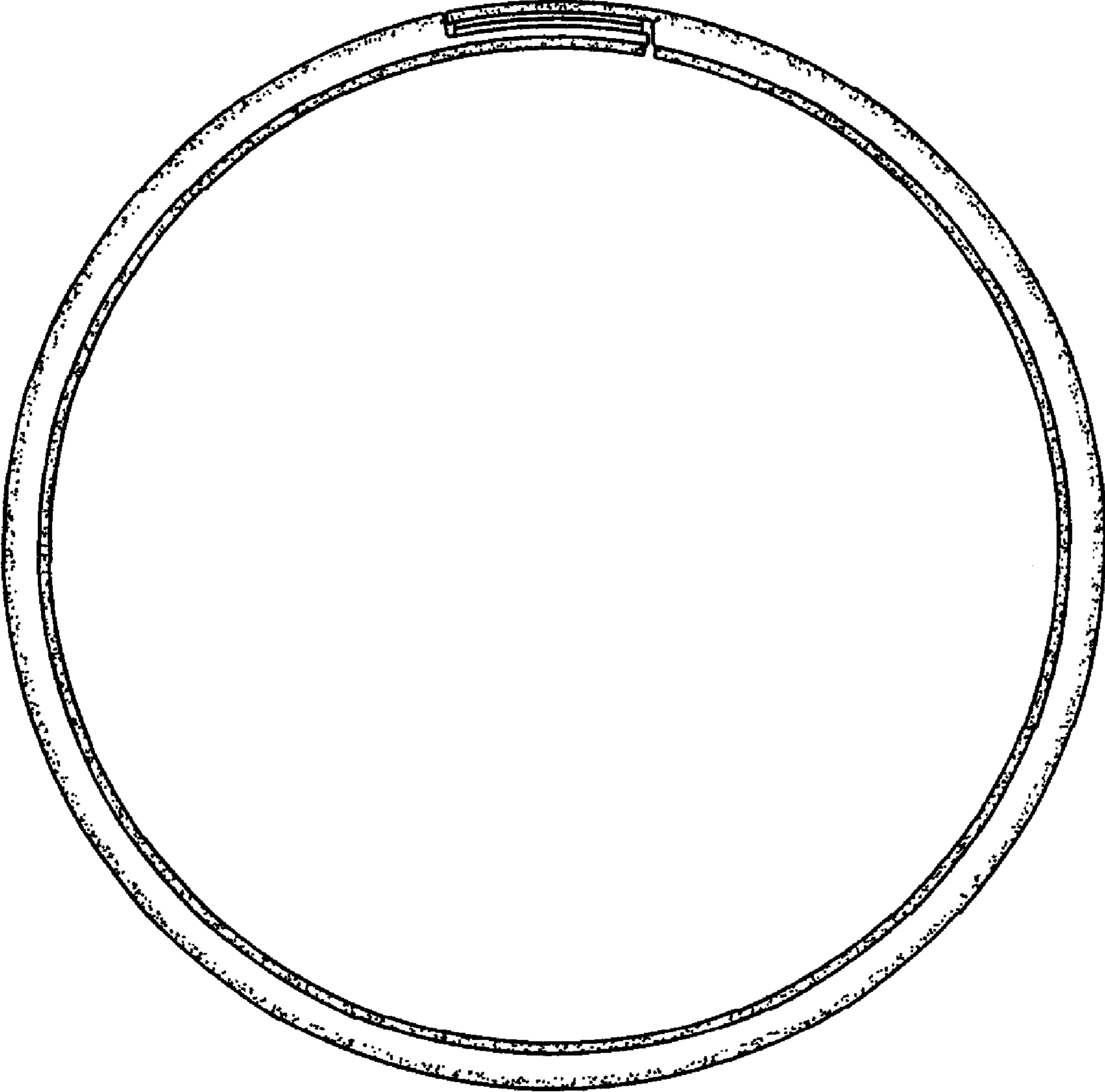


FIG.3

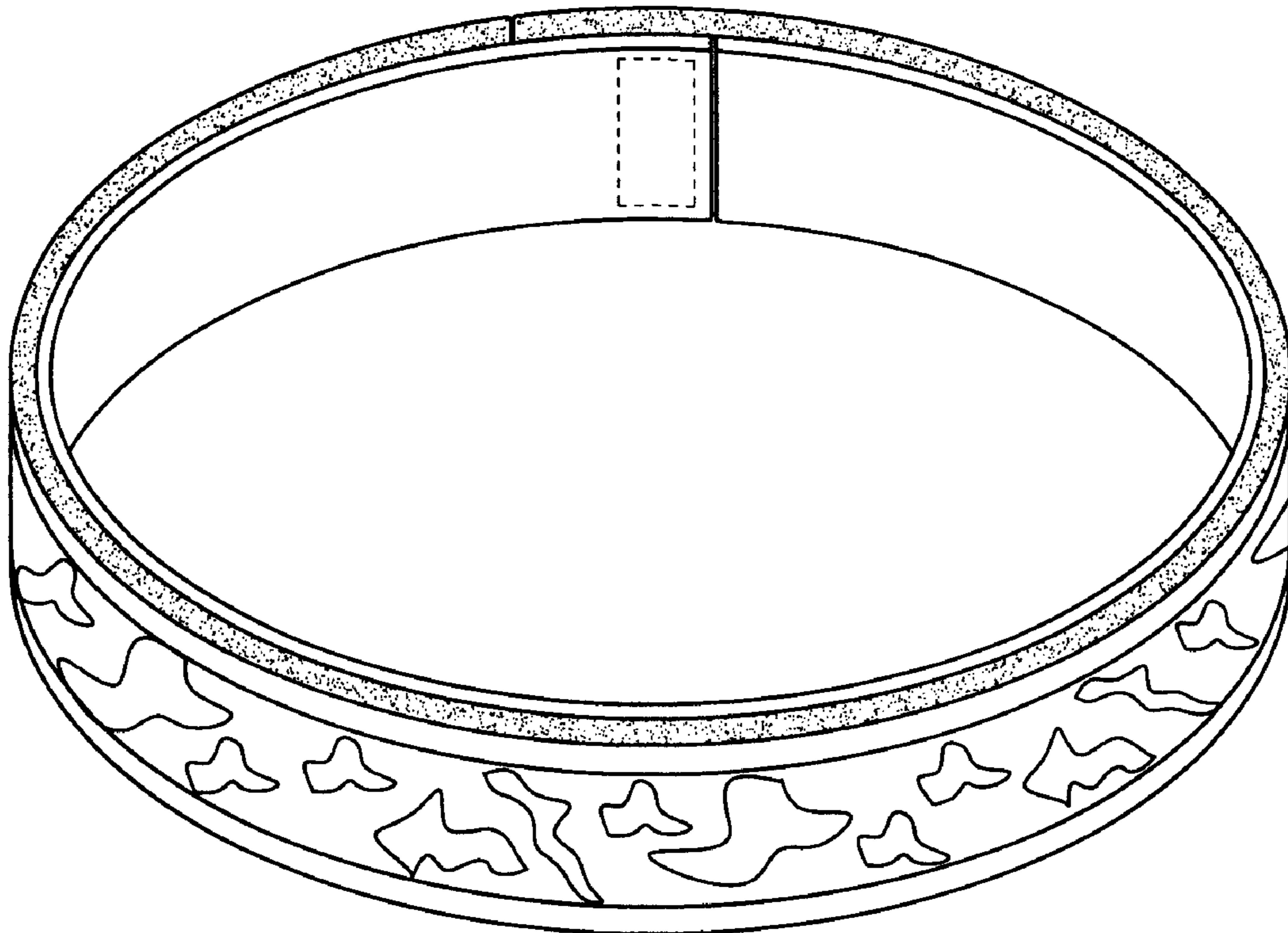


FIG.4