



US00D519705S

(12) **United States Design Patent**
Kong et al.

(10) **Patent No.:** **US D519,705 S**

(45) **Date of Patent:** **** Apr. 25, 2006**

- (54) **MOTORCYCLE JACK ADAPTER**
- (75) Inventors: **Zhaogeng Kong**, Shang Tian (CN);
Lingyu Song, Shang Tian (CN);
Yaquan Zhu, Shang Tian (CN); **Yahua Song**, Shang Tian (CN)
- (73) Assignee: **Zong Hua Nanfang Machinery Manufacture Co. Ltd.**, Zhejiang Province (CN)
- (**) Term: **14 Years**

D345,843 S	*	4/1994	Collins	D34/31
D346,255 S	*	4/1994	Francis et al.	D34/31
D384,473 S	*	9/1997	Thole	D34/31
D384,474 S	*	9/1997	White	D34/31
D388,926 S	*	1/1998	Sorensen	D34/31
D421,516 S	*	3/2000	Hung	D34/31
6,089,545 A	*	7/2000	Norman et al.	254/134
D452,597 S	*	12/2001	Hung	D34/31
6,357,724 B1	*	3/2002	Hung	254/8 B
D472,029 S		3/2003	Ji et al.	D34/31
D482,838 S		11/2003	Tsai	D34/31
D485,039 S	*	1/2004	Hussaini et al.	D34/31
D485,412 S	*	1/2004	Hung	D34/31
6,769,668 B1	*	8/2004	Siglock	254/124

(21) Appl. No.: **29/201,299**

(22) Filed: **Mar. 12, 2004**

(30) **Foreign Application Priority Data**

Sep. 16, 2003 (CN) 03 3 66000.X

(51) **LOC (8) Cl.** **12-05**

(52) **U.S. Cl.** **D34/31**

(58) **Field of Classification Search** D34/31,
D34/28; 254/8 B, 134, 126, 22, 93 H, 93 R,
254/420, 2 R, 8 R, 133 R; D12/115
See application file for complete search history.

(56) **References Cited**

U.S. PATENT DOCUMENTS

D216,034 S	*	11/1969	Gaarder	D34/31
4,018,421 A		4/1977	Tallman	254/8 B
D253,696 S		12/1979	Suzuki	D34/31
4,241,900 A		12/1980	Okuda	254/8 B
4,277,048 A		7/1981	Okuda	254/8 B
D276,988 S		1/1985	Shedden	D12/115
D285,854 S		9/1986	Persson	D34/31
D285,855 S		9/1986	Persson	D34/31
4,955,450 A	*	9/1990	Deinlein-Kalb et al.	180/199
5,211,376 A		5/1993	Anderson	254/134

* cited by examiner

Primary Examiner—Cynthia E. Ramirez

(74) *Attorney, Agent, or Firm*—Lumen Intellectual Property Services, Inc.

(57) **CLAIM**

The ornamental design for a motorcycle jack adapter, as shown and described.

DESCRIPTION

FIG. 1 is a front view of a motorcycle jack adapter showing my new design.

FIG. 2 is a left side view of the embodiment of FIG. 1.

FIG. 3 is a right side view of the embodiment of FIG. 1.

FIG. 4 is a top view of the embodiment of FIG. 1.

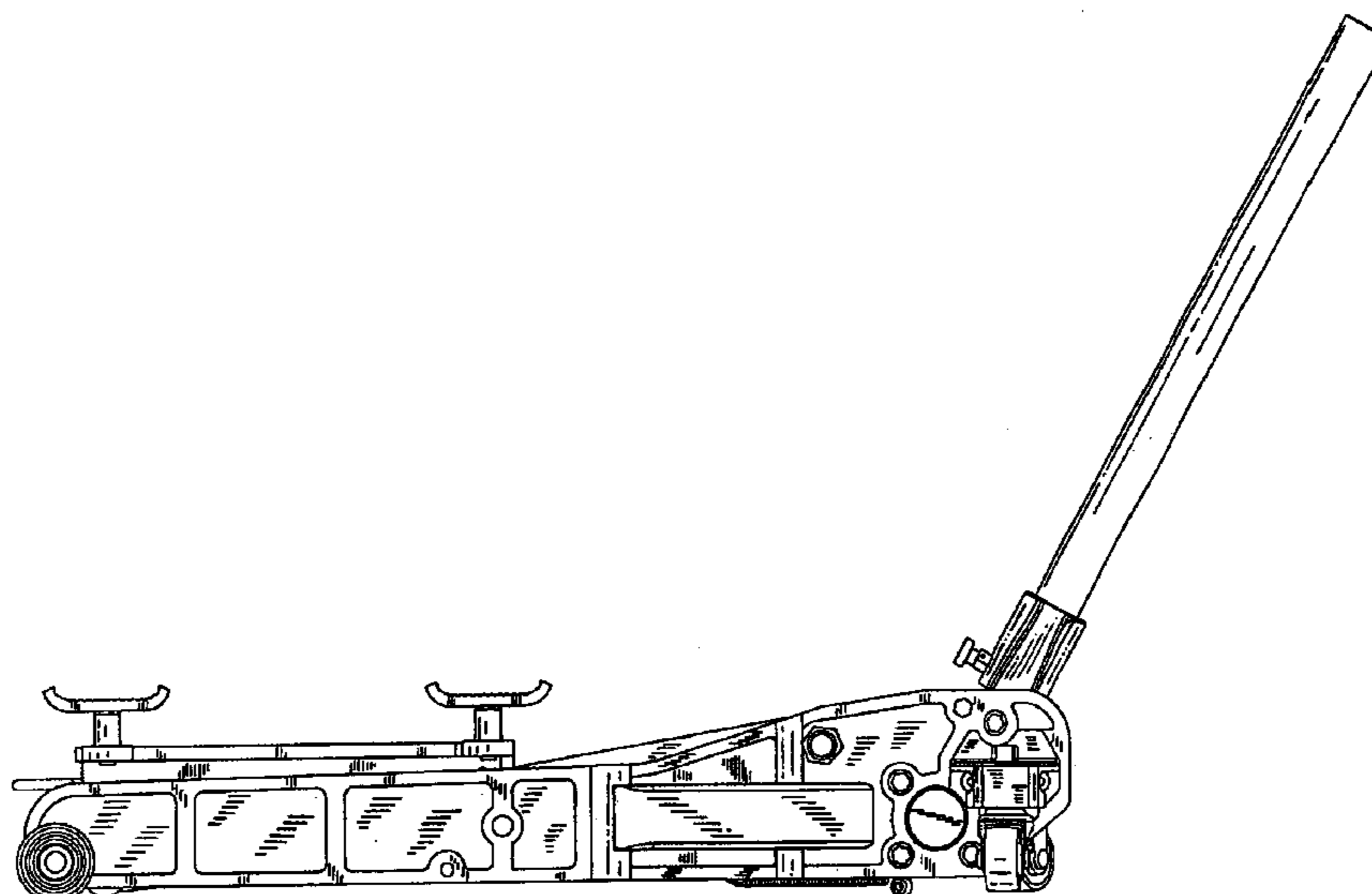
FIG. 5 is a bottom view of the embodiment of FIG. 1.

FIG. 6 is a perspective view of the embodiment of FIG. 1, in a raised position.

FIG. 7 is a second front view of the embodiment of FIG. 1, in a raised position; and,

FIG. 8 is a third front view of the embodiment of FIG. 1, in a raised position.

1 Claim, 8 Drawing Sheets



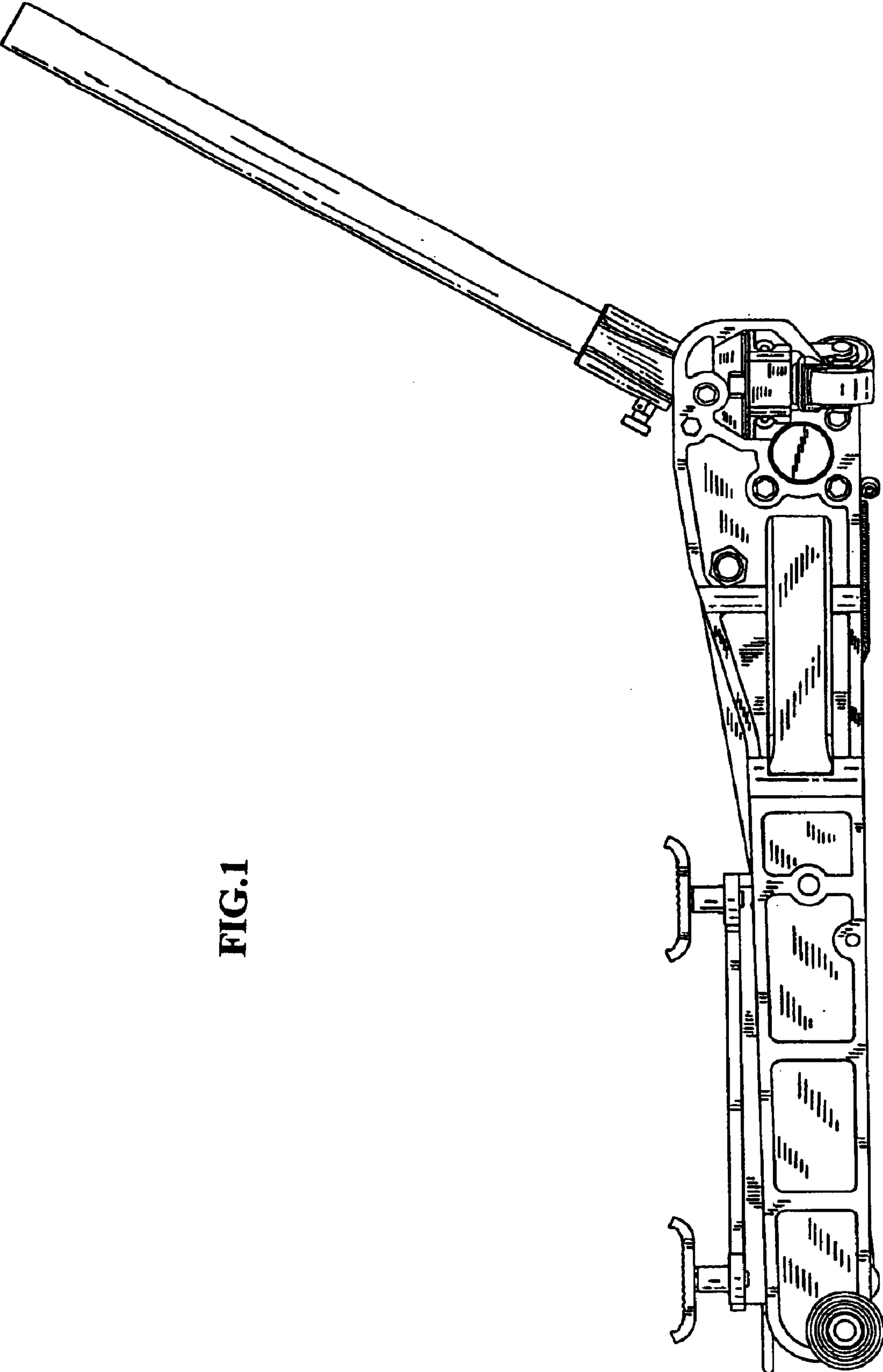


FIG.1

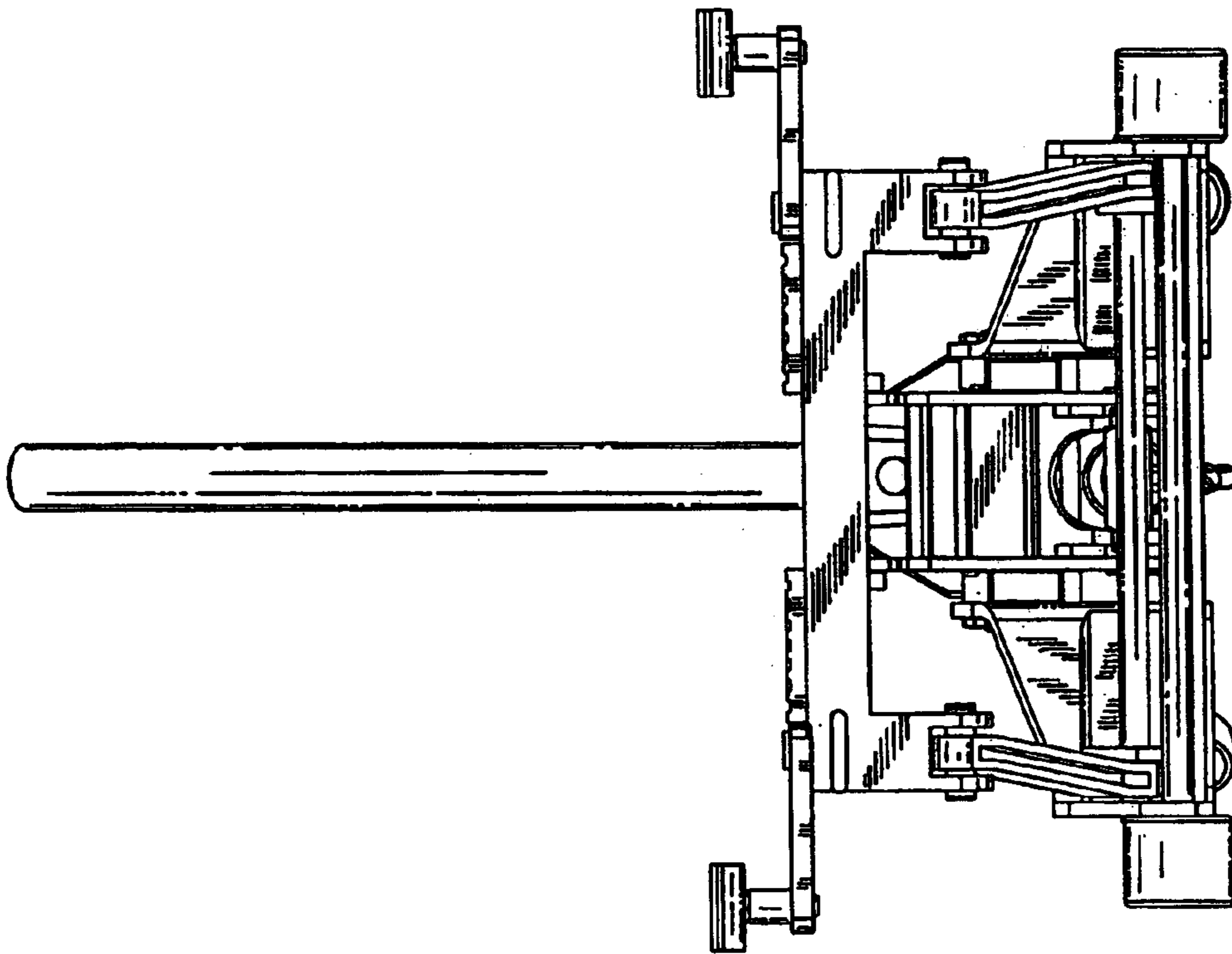


FIG. 2

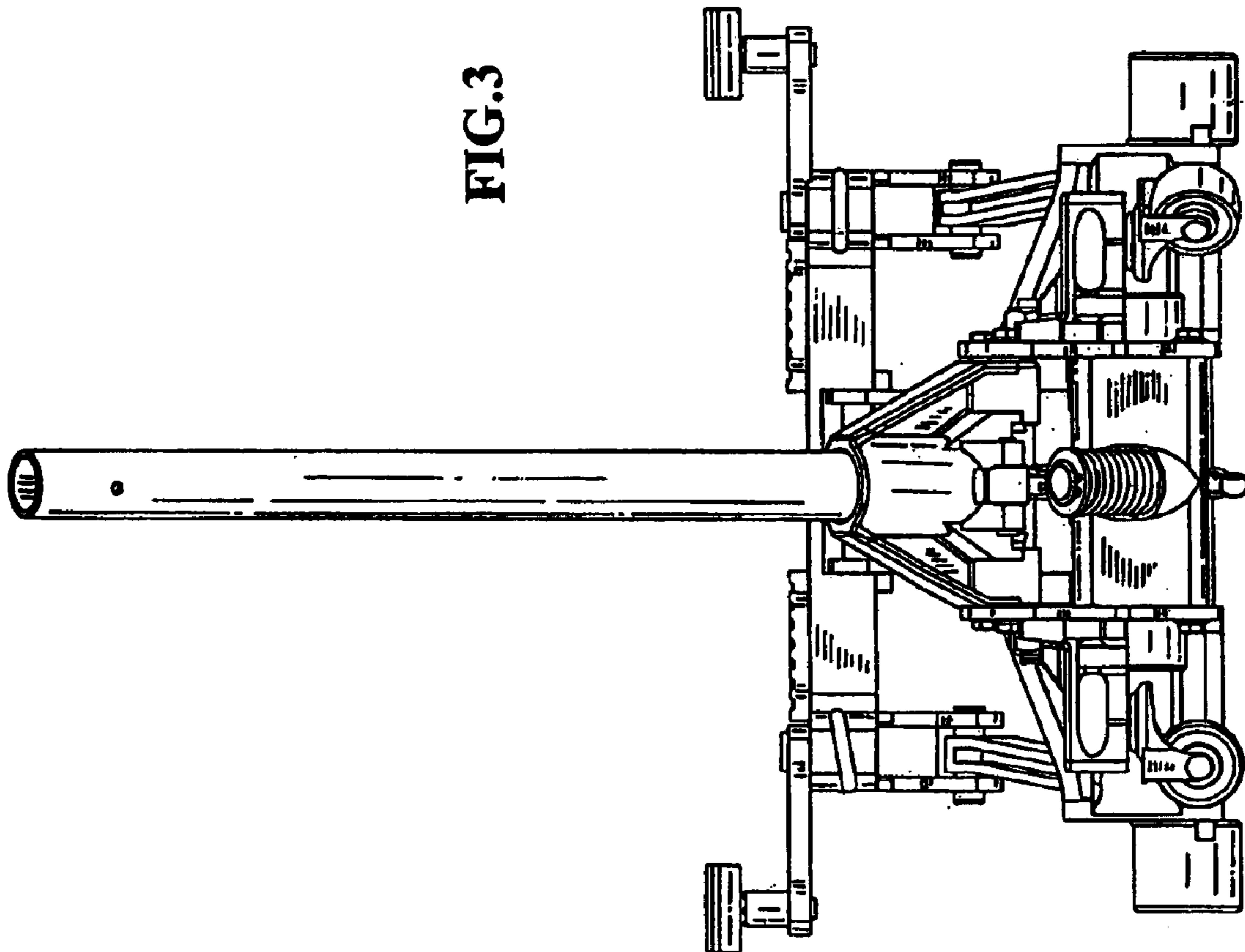


FIG.4

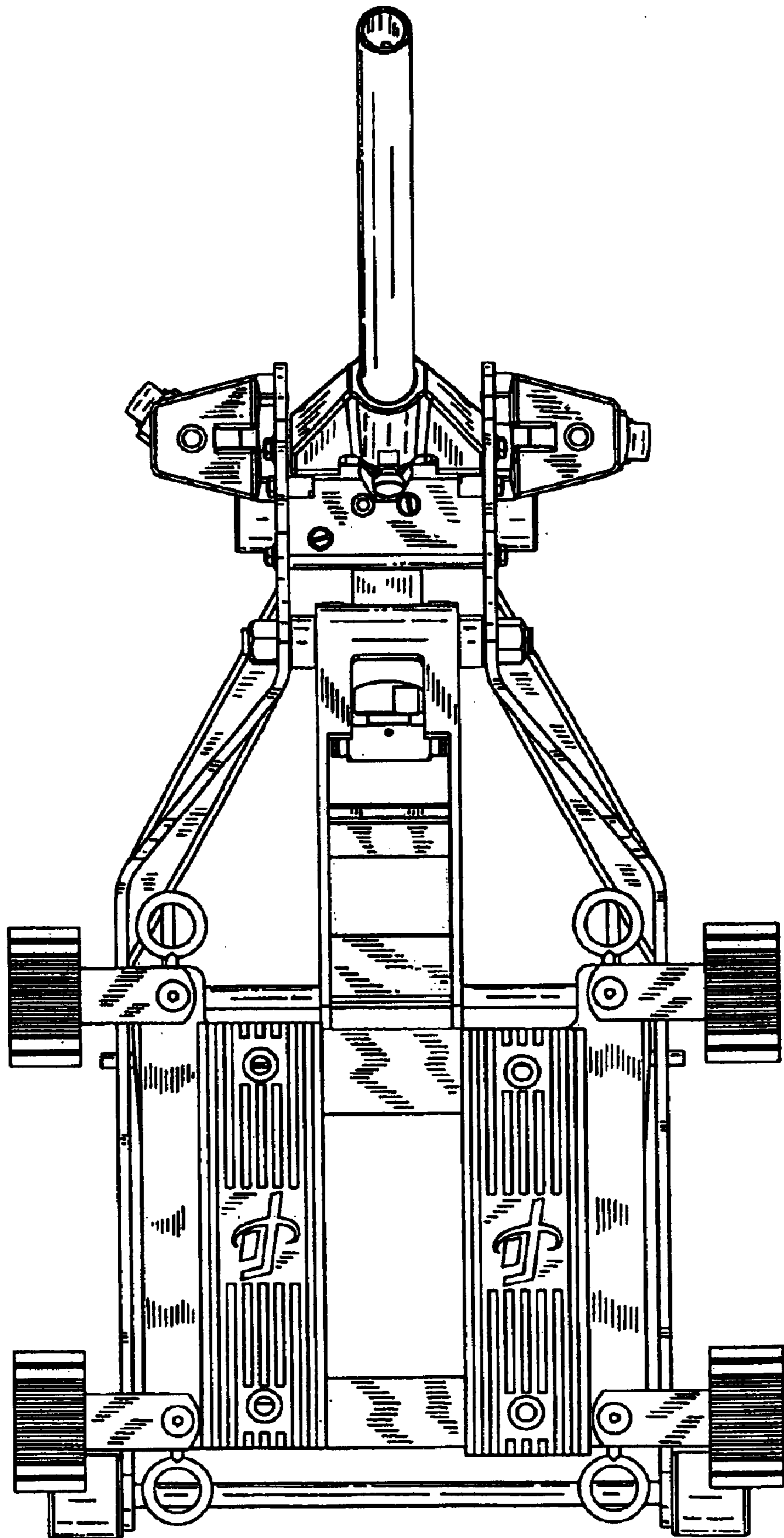


FIG. 5

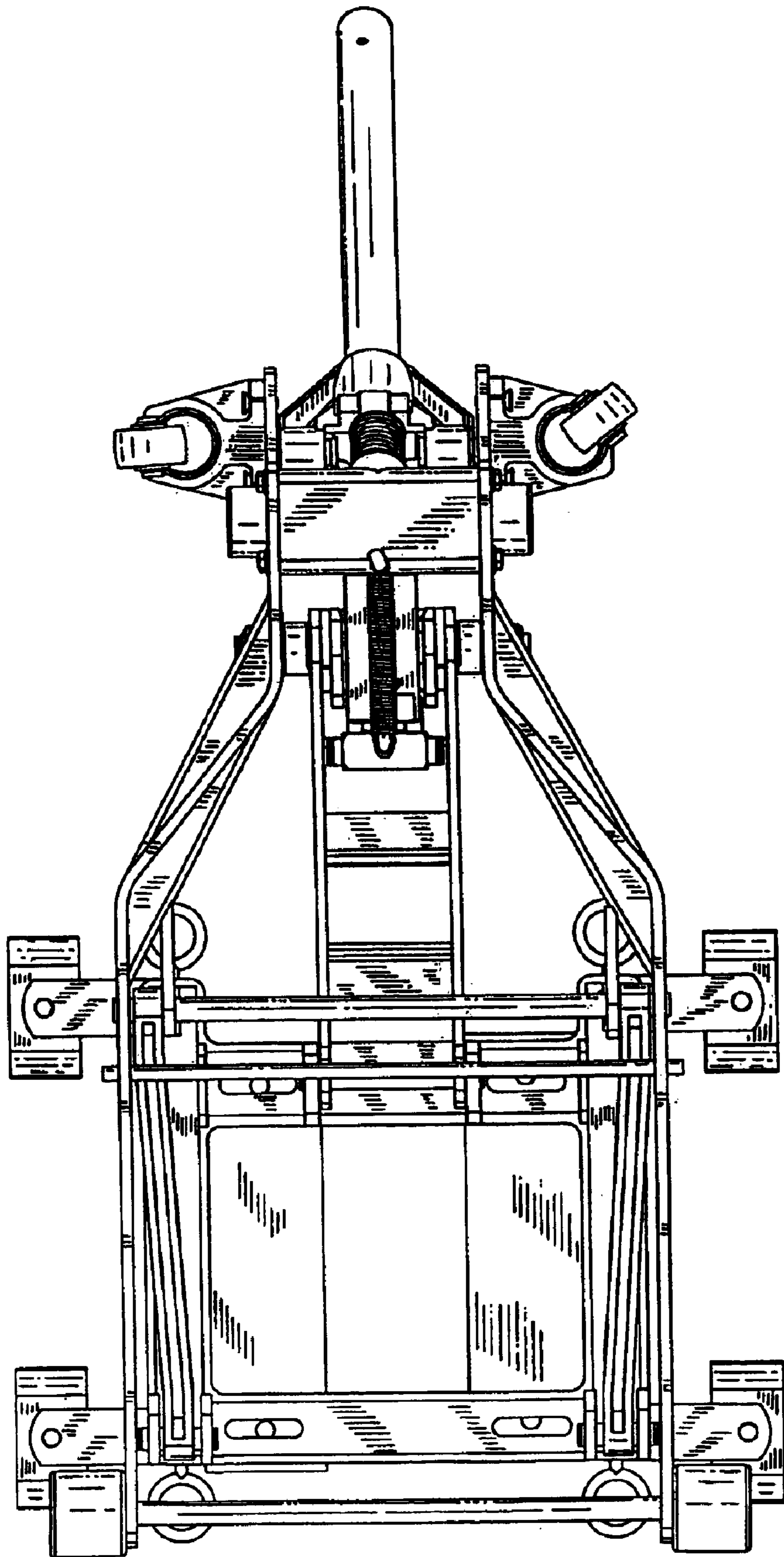
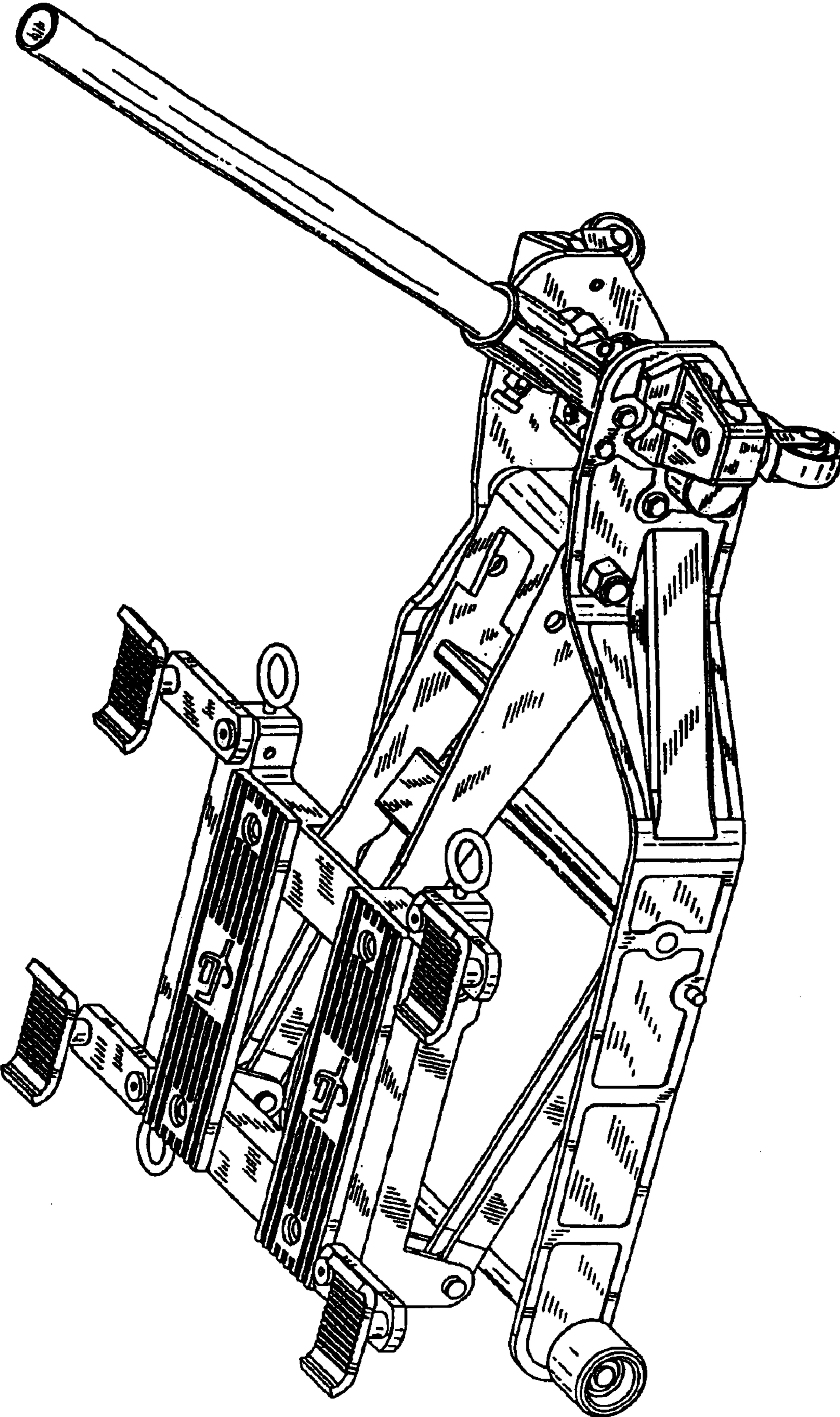


FIG.6



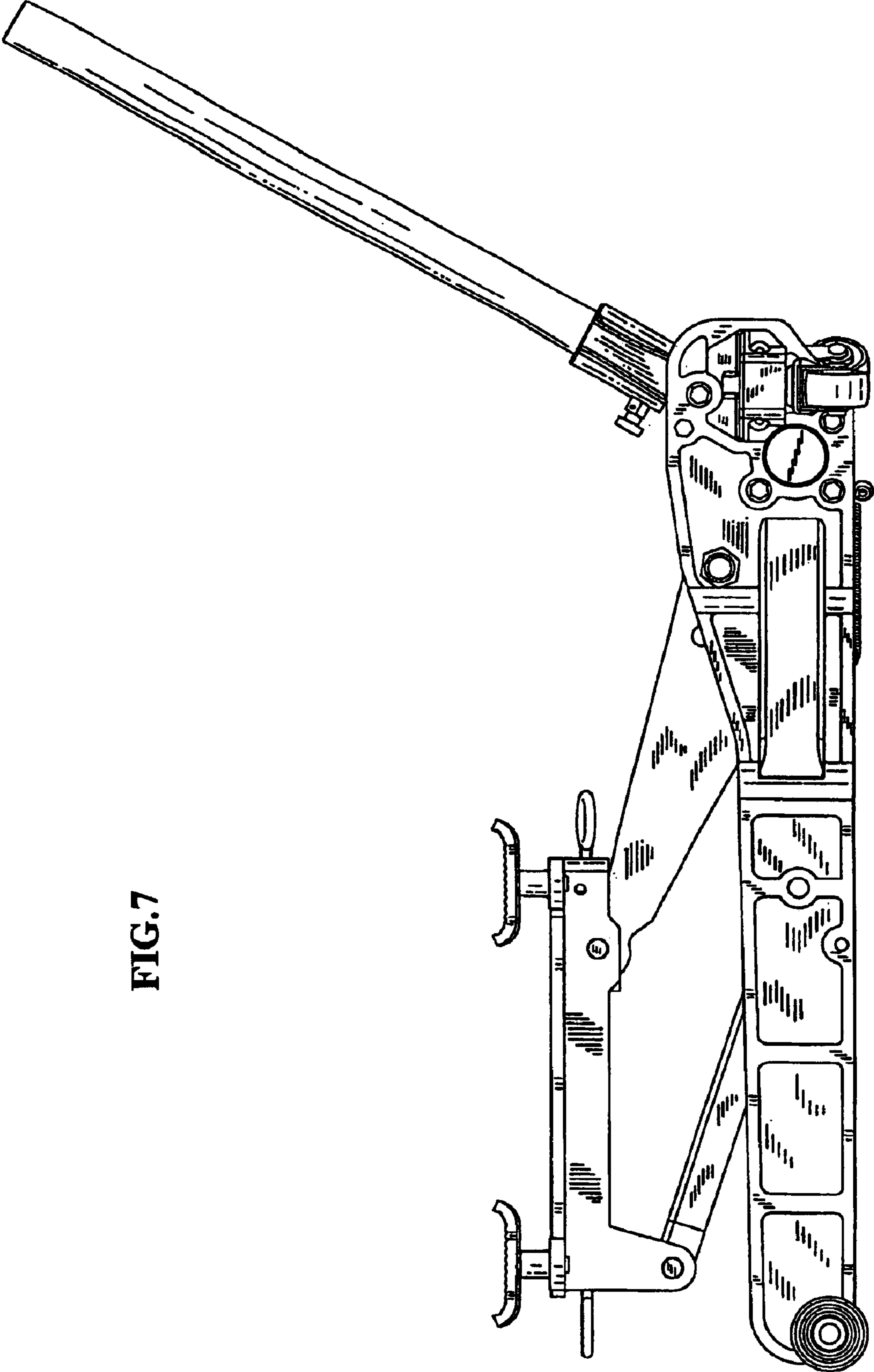


FIG.7

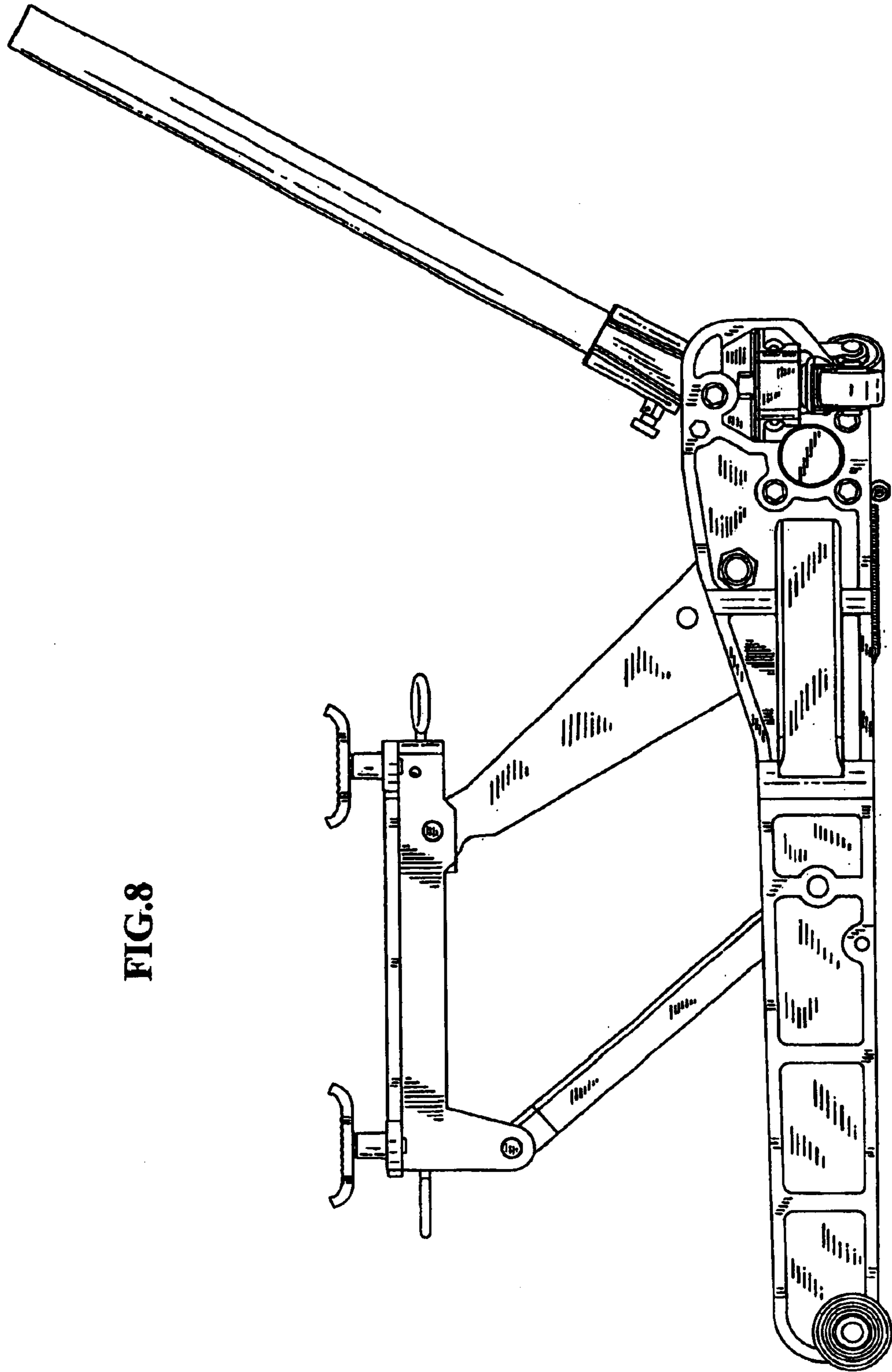


FIG.8

UNITED STATES PATENT AND TRADEMARK OFFICE
CERTIFICATE OF CORRECTION

PATENT NO. : Des. 519,705 S
APPLICATION NO. : 29/201299
DATED : April 25, 2006
INVENTOR(S) : Zhaogeng Kong et al.

Page 1 of 1

It is certified that error appears in the above-identified patent and that said Letters Patent is hereby corrected as shown below:

On Title Page Item (75) Col. 1, should read,

Inventors:

Zhaogeng Kong, Zhejiang (CN)

Lingyu Song, Zhejiang (CN)

Yaquan Zhu, Zhejiang (CN)

Yahua Song, Zhejiang (CN)

On Title Page, Item (73) Col. 1 should read,

Assignee: Feng Hua Nanfang Machinery Manufacture Co. Ltd.

Signed and Sealed this

Twenty-first Day of November, 2006

A handwritten signature in black ink on a dotted background. The signature reads "Jon W. Dudas" in a cursive style.

JON W. DUDAS

Director of the United States Patent and Trademark Office