



US00D519704S

(12) **United States Design Patent**  
**Wu**

(10) **Patent No.:** **US D519,704 S**

(45) **Date of Patent:** **\*\* Apr. 25, 2006**

(54) **GOLF CART**

(75) Inventor: **Fang-Li Wu**, Tainan Hsien (TW)

(73) Assignee: **Sports World Enterprise Co., Ltd.**,  
Tainan Hsien (TW)

(\*\*) Term: **14 Years**

(21) Appl. No.: **29/234,429**

(22) Filed: **Jul. 19, 2005**

(51) **LOC (8) Cl.** ..... **12-13**

(52) **U.S. Cl.** ..... **D34/15**

(58) **Field of Classification Search** ..... D34/15;  
280/33.991-4, 47.17, 47.18, 47.24, 47.26,  
280/47.34, 47.39, 47.4, 47.131, 645, 651,  
280/652, 654, 655; 211/70.2; 180/19.1, 19.3,  
180/215, 216, 907; 248/96, 98, 128, 129;  
224/274

See application file for complete search history.

(56) **References Cited**

**U.S. PATENT DOCUMENTS**

D362,103 S \* 9/1995 Schnoll ..... D34/15

D423,170 S \* 4/2000 Chan ..... D34/15  
6,209,892 B1 \* 4/2001 Schaaf et al. .... 280/33.993  
D450,168 S \* 11/2001 Liao ..... D34/15  
D482,170 S \* 11/2003 Yang ..... D34/15

\* cited by examiner

*Primary Examiner*—Freda Nunn

*Assistant Examiner*—Kevin Rudzinski

(74) *Attorney, Agent, or Firm*—Rosenberg, Klein & Lee

(57) **CLAIM**

The ornamental design for a golf cart, as shown and described.

**DESCRIPTION**

FIG. 1 is a perspective view of a golf cart showing my new design;

FIG. 2 is a front elevational view thereof;

FIG. 3 is a rear elevational view thereof;

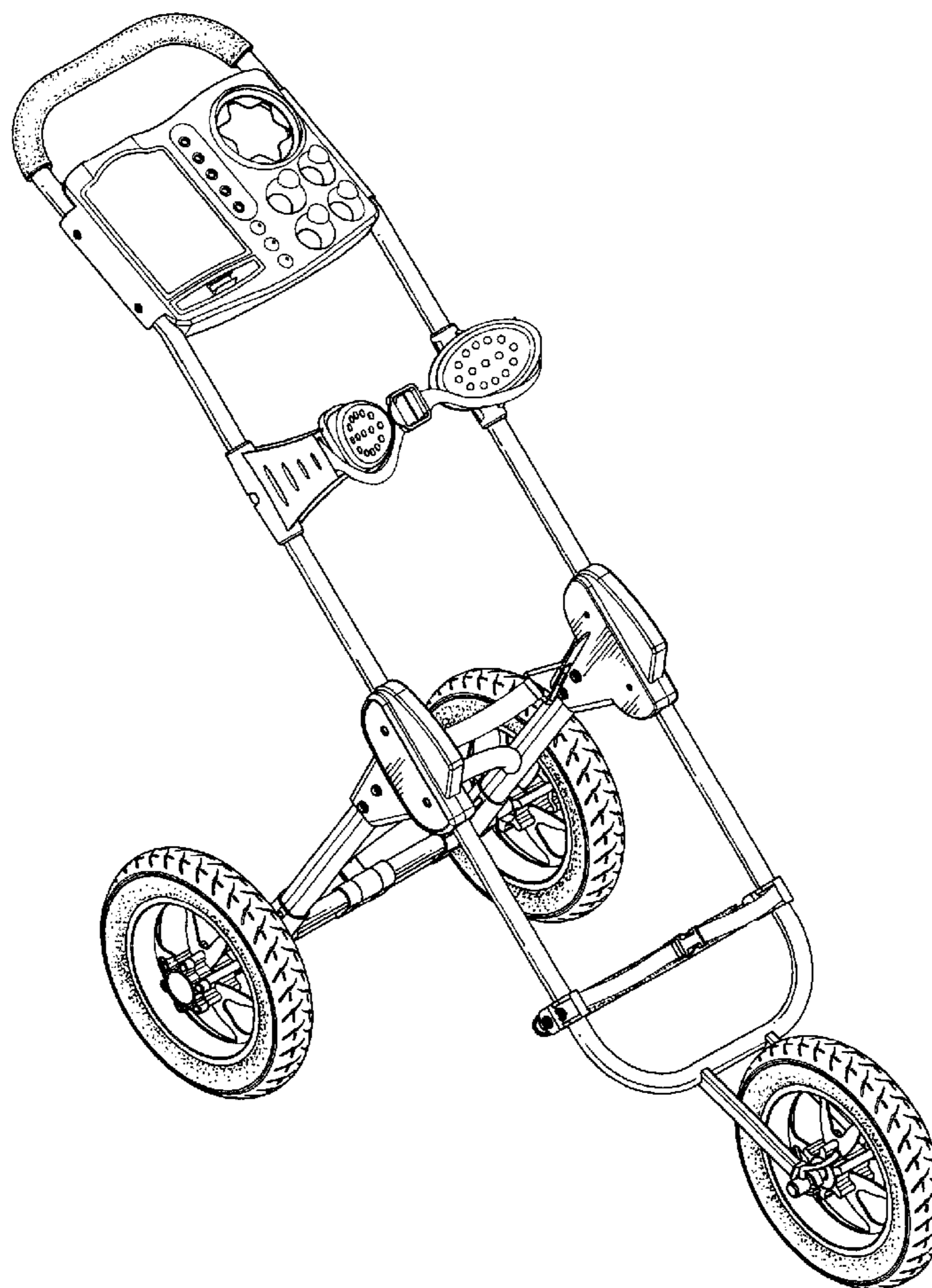
FIG. 4 is a left side elevational view thereof;

FIG. 5 is a right side elevational view thereof;

FIG. 6 is a top plan view thereof; and,

FIG. 7 is a bottom plan view thereof.

**1 Claim, 6 Drawing Sheets**



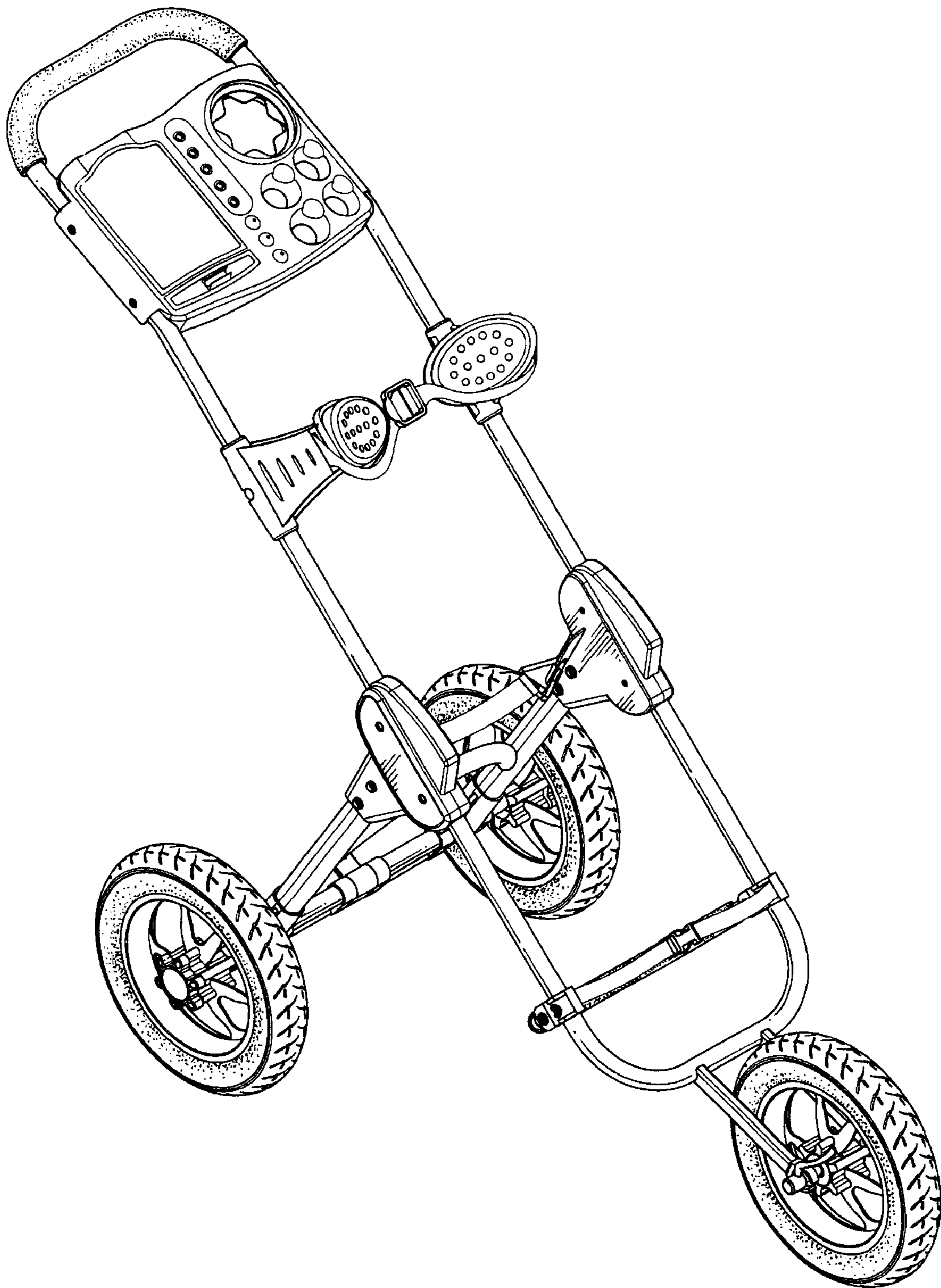


FIG. 1

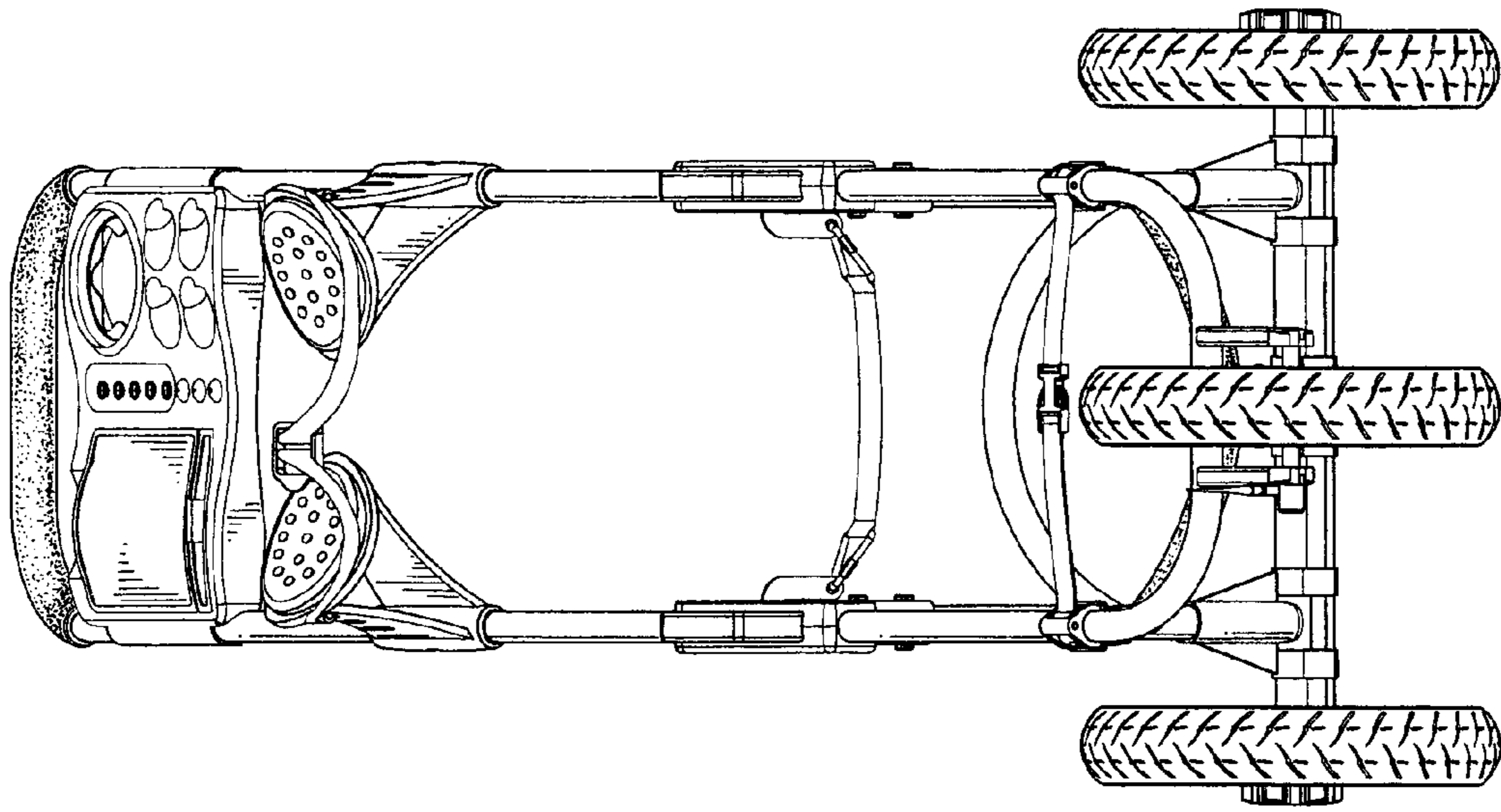


FIG. 2

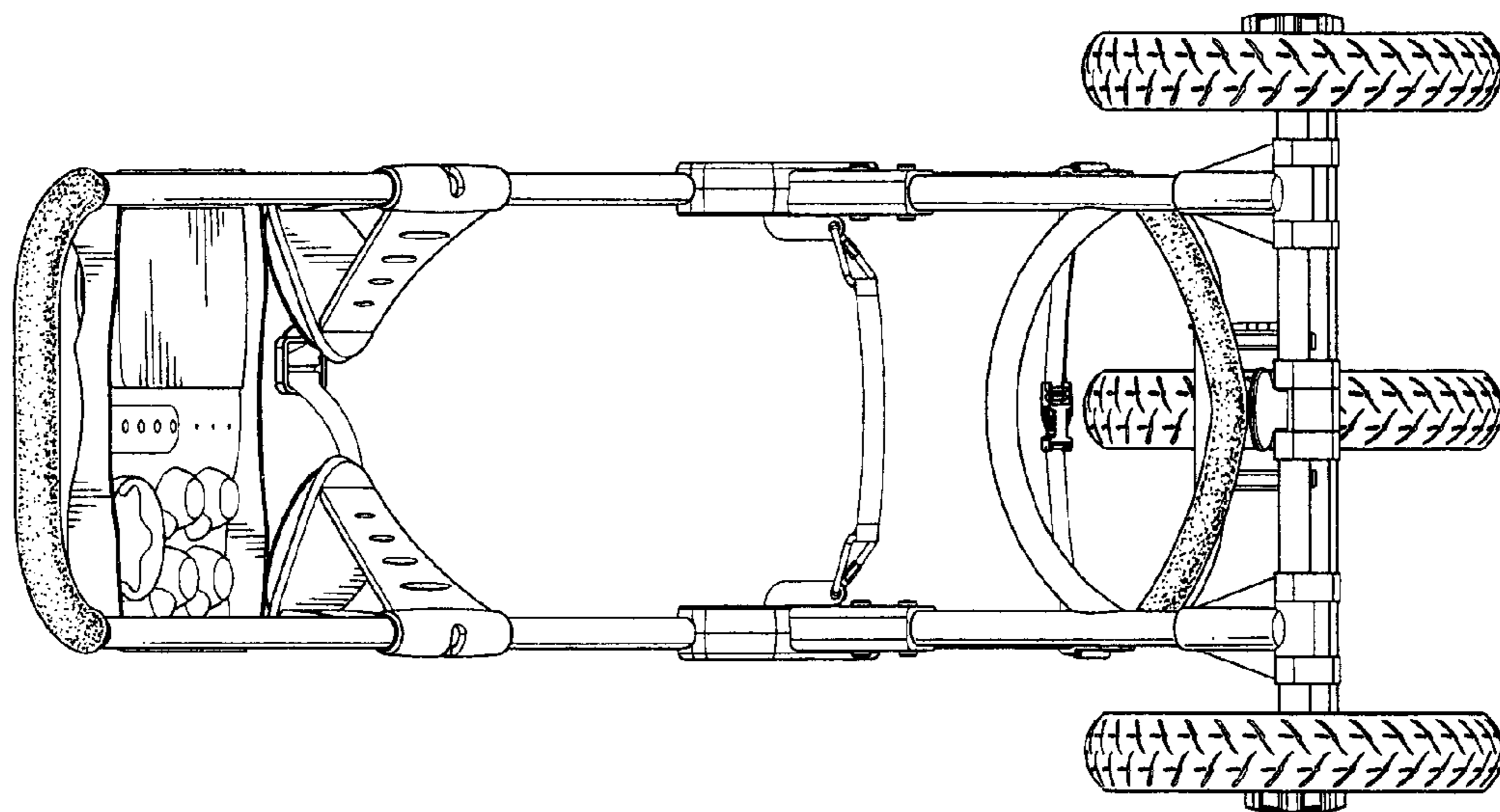


FIG. 3

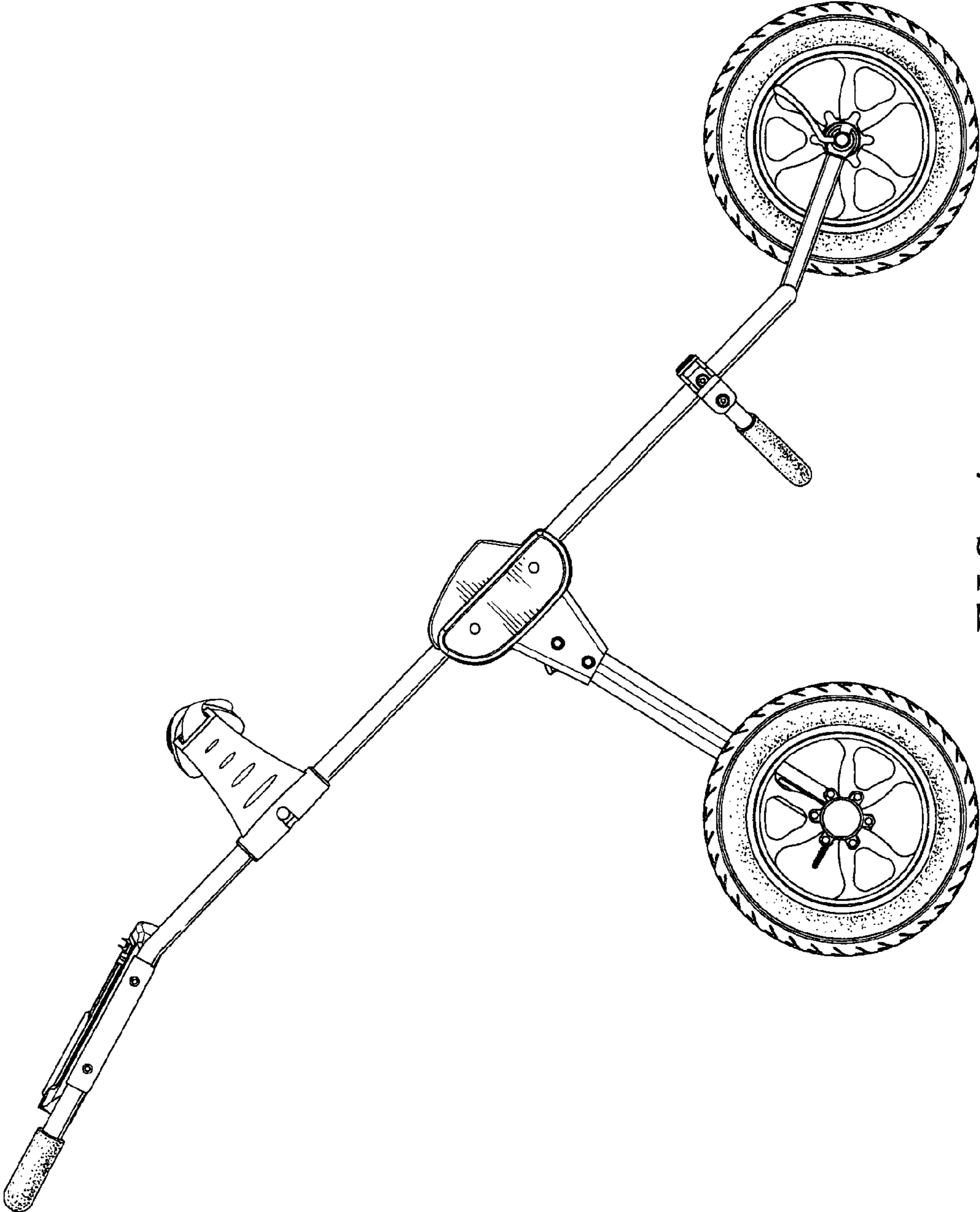


FIG. 4

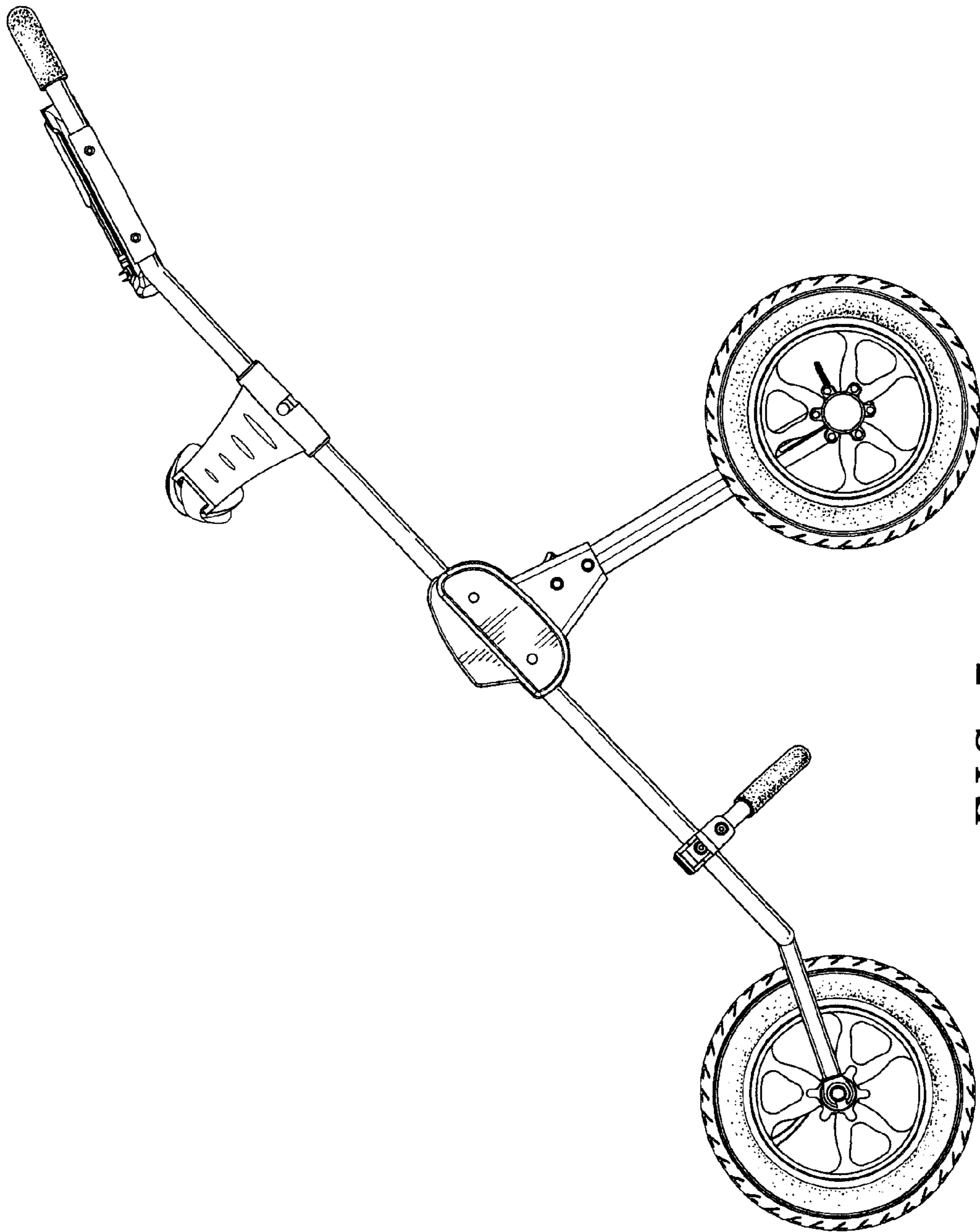


FIG. 5

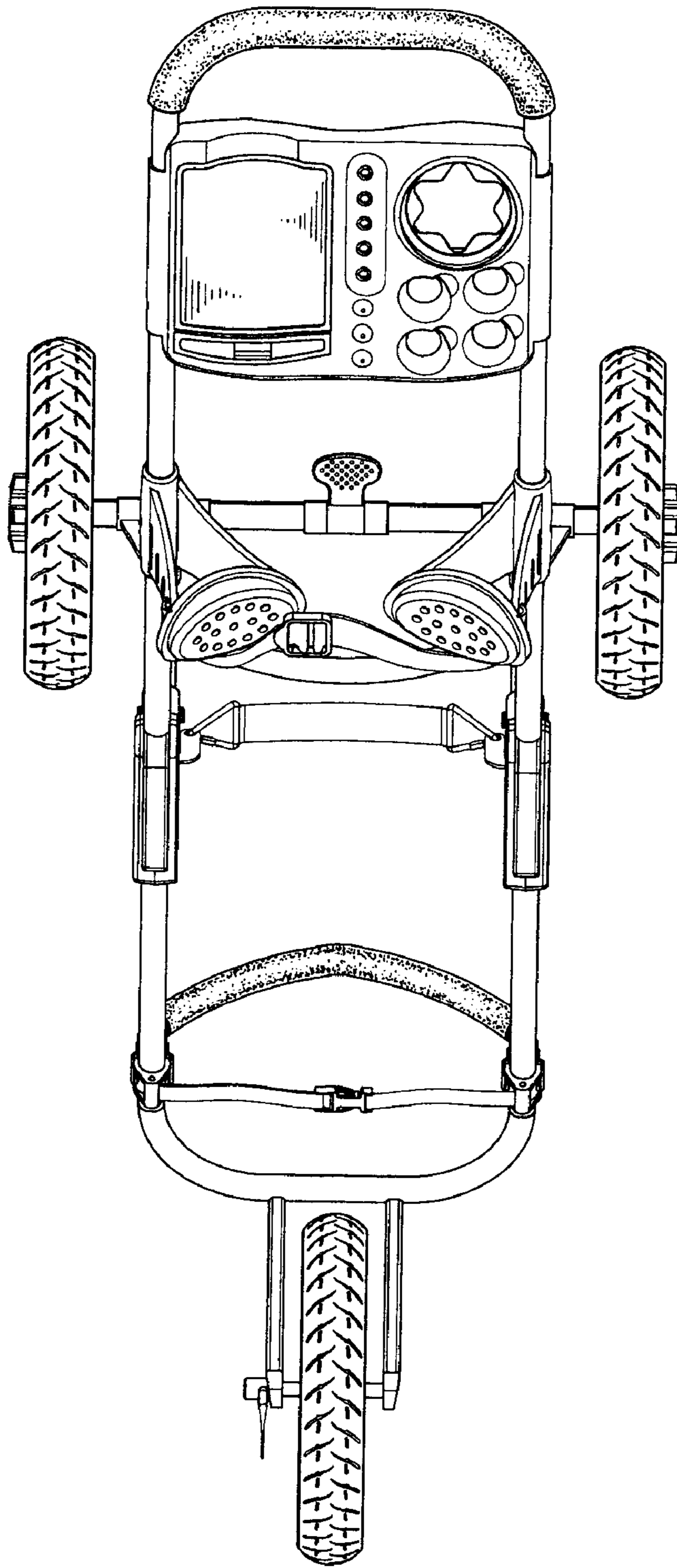


FIG. 6

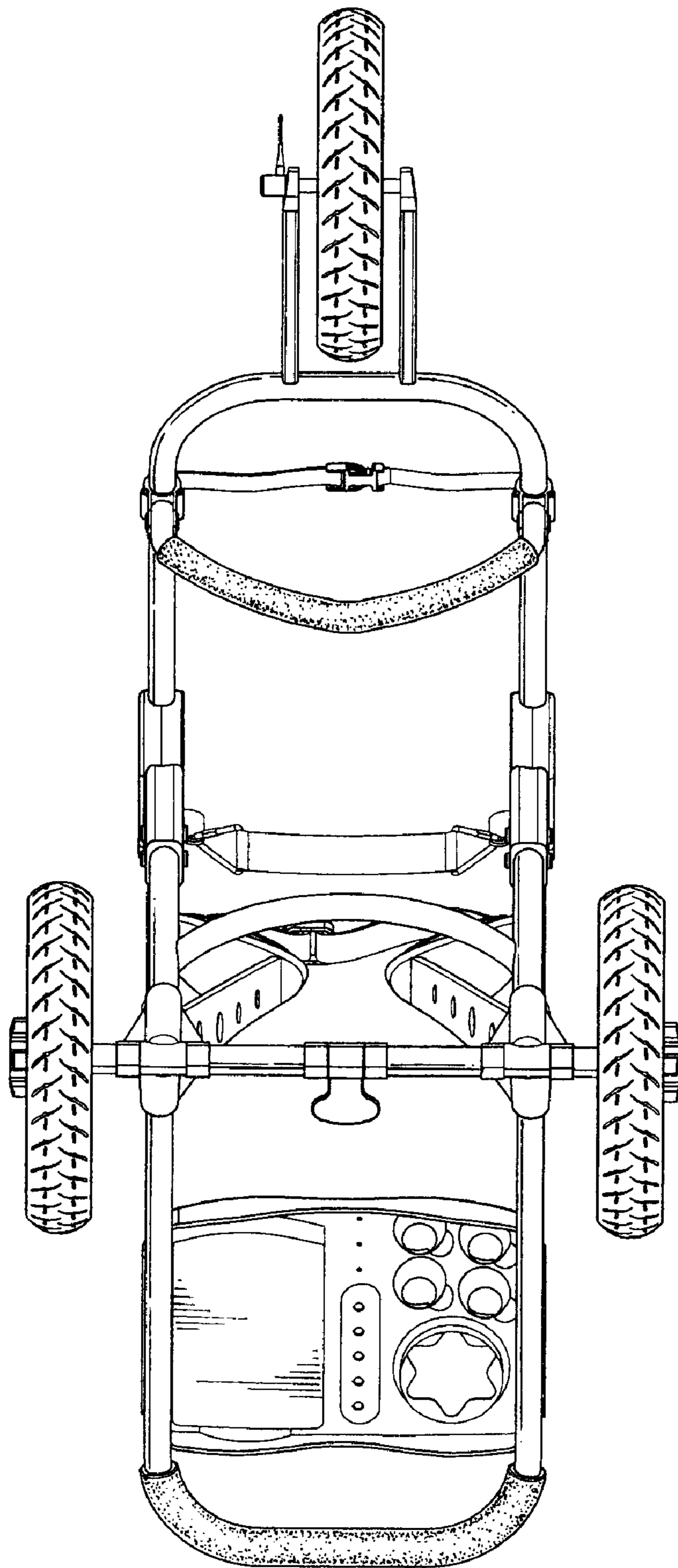


FIG. 7



US00D519704C1

(12) **EX PARTE REEXAMINATION CERTIFICATE** (6511th)  
**United States Patent**  
**Wu**

(10) **Number:** **US D519,704 C1**  
(45) **Certificate Issued:** **Nov. 4, 2008**

(54) **GOLF CART**

(58) **Field of Classification Search** ..... None  
See application file for complete search history.

(75) **Inventor:** **Fang-Li Wu**, Tainan Hsien (TW)

(73) **Assignee:** **Sports World Enterprise Co., Ltd.**,  
Quei Jen Hsiang, Tainan Hsien (TW)

(56) **References Cited**

**U.S. PATENT DOCUMENTS**

**Reexamination Request:**

No. 90/008,942, Dec. 31, 2007

2,482,018 A	9/1949	McDonald	
6,059,158 A	5/2000	Hsu	
6,120,053 A	9/2000	DeAngelis	
6,126,184 A	10/2000	Liao	
D450,902 S	11/2001	Liao	
D468,510 S	1/2003	Jacobs	
D548,420 S	* 8/2007	Liao	..... D34/15

**Reexamination Certificate for:**

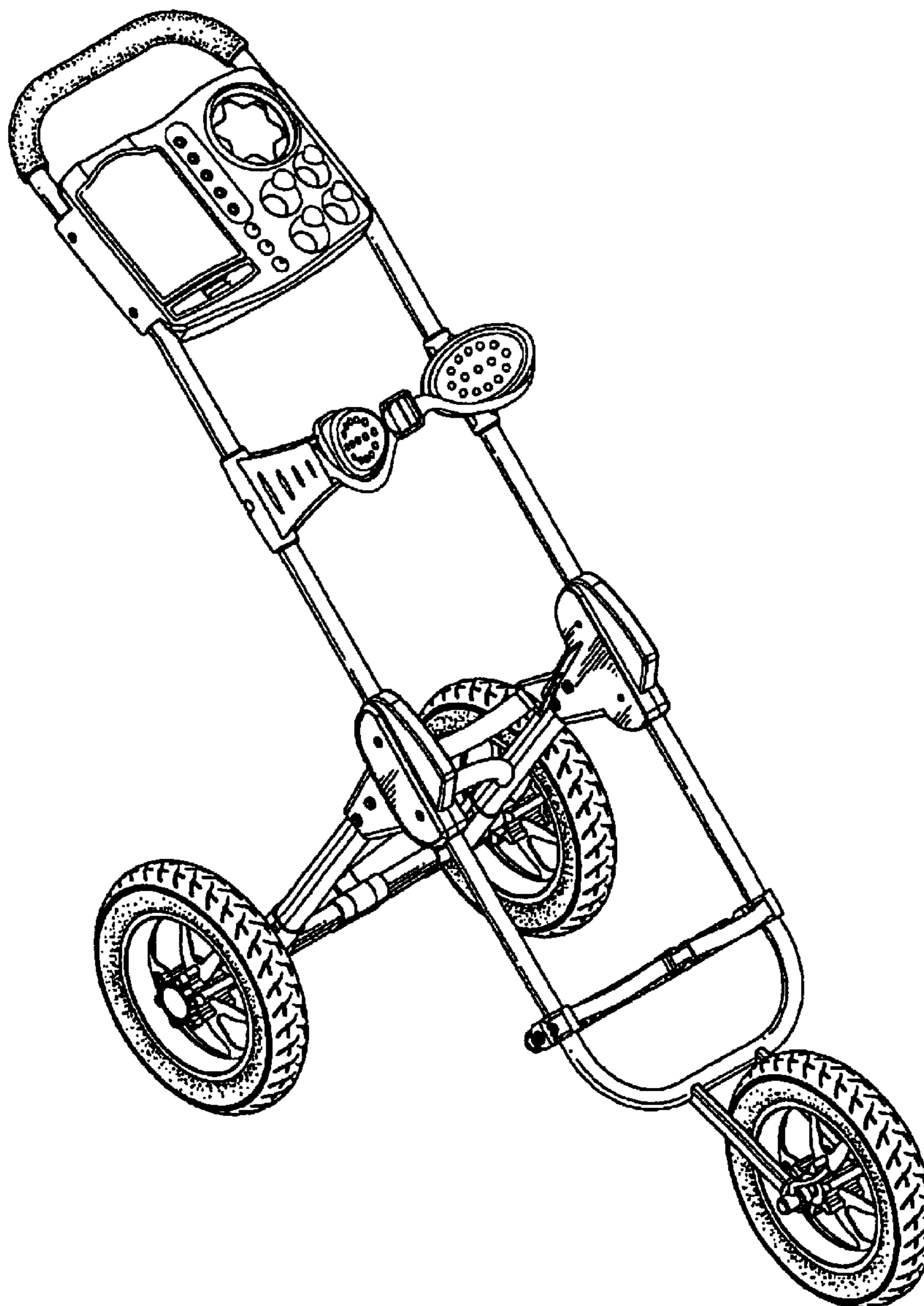
**Patent No.:** **Des. 519,704**  
**Issued:** **Apr. 25, 2006**  
**Appl. No.:** **29/234,429**  
**Filed:** **Jul. 19, 2005**

\* cited by examiner

(51) **LOC (8) Cl.** ..... **12-13**

(52) **U.S. Cl.** ..... **D34/15**

*Primary Examiner*—Robert M. Spear





**EX PARTE**  
**REEXAMINATION CERTIFICATE**  
**ISSUED UNDER 35 U.S.C. 307**  
AS A RESULT OF REEXAMINATION, IT HAS BEEN  
DETERMINED THAT:

The patentability claim 1 is confirmed.

1. The ornamental design for a golf cart, as shown and described.

\* \* \* \* \*