



US00D519703S

(12) **United States Design Patent**
Wu

(10) **Patent No.:** **US D519,703 S**

(45) **Date of Patent:** **** Apr. 25, 2006**

(54) **GOLF CART**

6,641,228 B1 * 11/2003 Liu 301/111.06
6,789,808 B1 * 9/2004 Yang 280/47.24

(76) **Inventor:** **David Wu**, No. 35-1, Jih Hsin Street,
Tu Cheng City, Taipei Hsien (TW)

* cited by examiner

(**) **Term:** **14 Years**

Primary Examiner—Freda Nunn

Assistant Examiner—Kevin Rudzinski

(21) **Appl. No.:** **29/230,008**

(74) *Attorney, Agent, or Firm*—Troxell Law Office, PLLC

(22) **Filed:** **May 17, 2005**

(57) **CLAIM**

The ornamental design for golf cart, as shown and described.

(51) **LOC (8) Cl.** **12-13**

(52) **U.S. Cl.** **D34/15**

(58) **Field of Classification Search** D34/12-27;
280/651, 652, 47.39, 47.24, 47.131, 47.17,
280/47.34, 47.26, 47.18, 47.4, 645, 654,
280/655, 33.991-4; 180/19.1, 19.3, 215,
180/216, 907; 248/96, 98, 128, 129; 224/274
See application file for complete search history.

DESCRIPTION

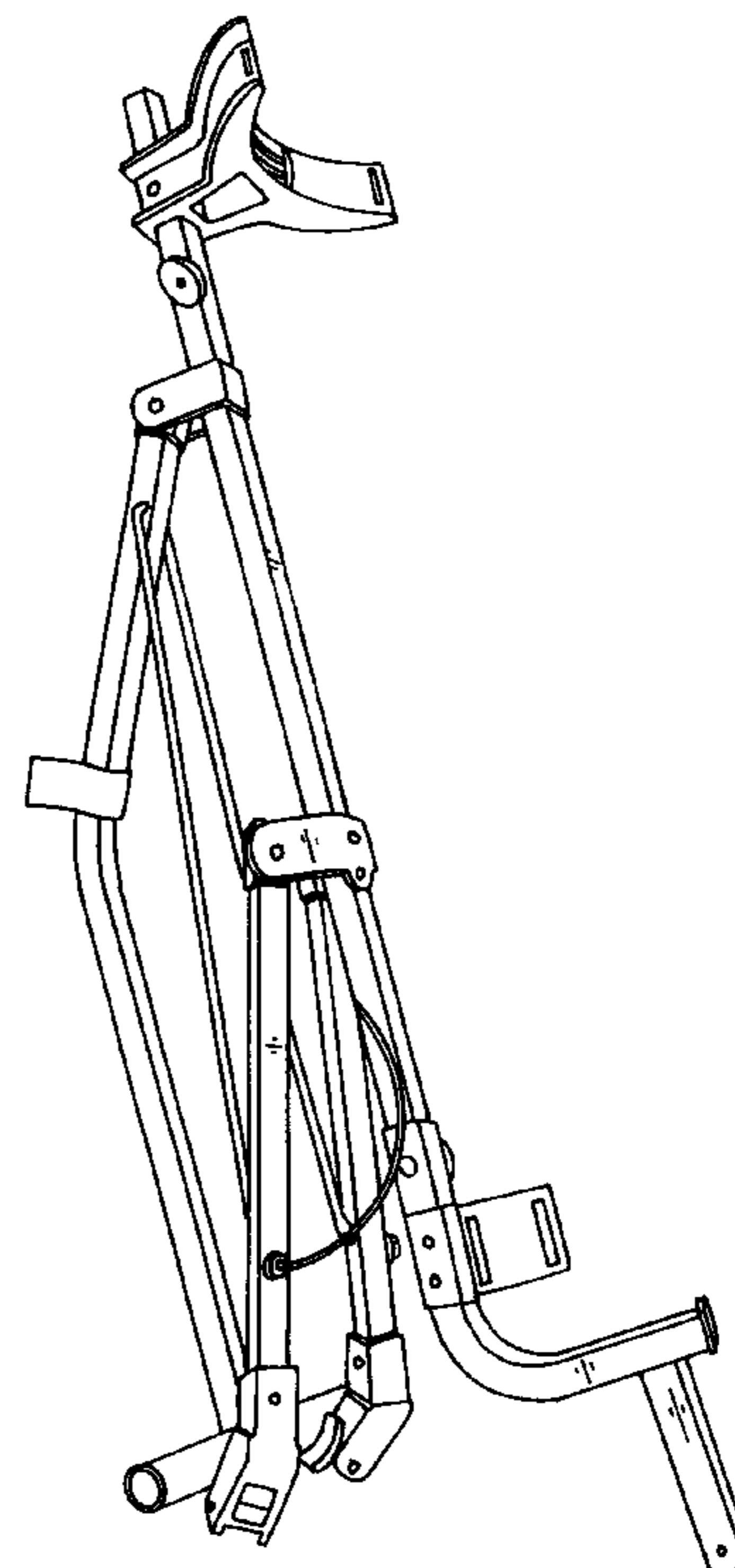
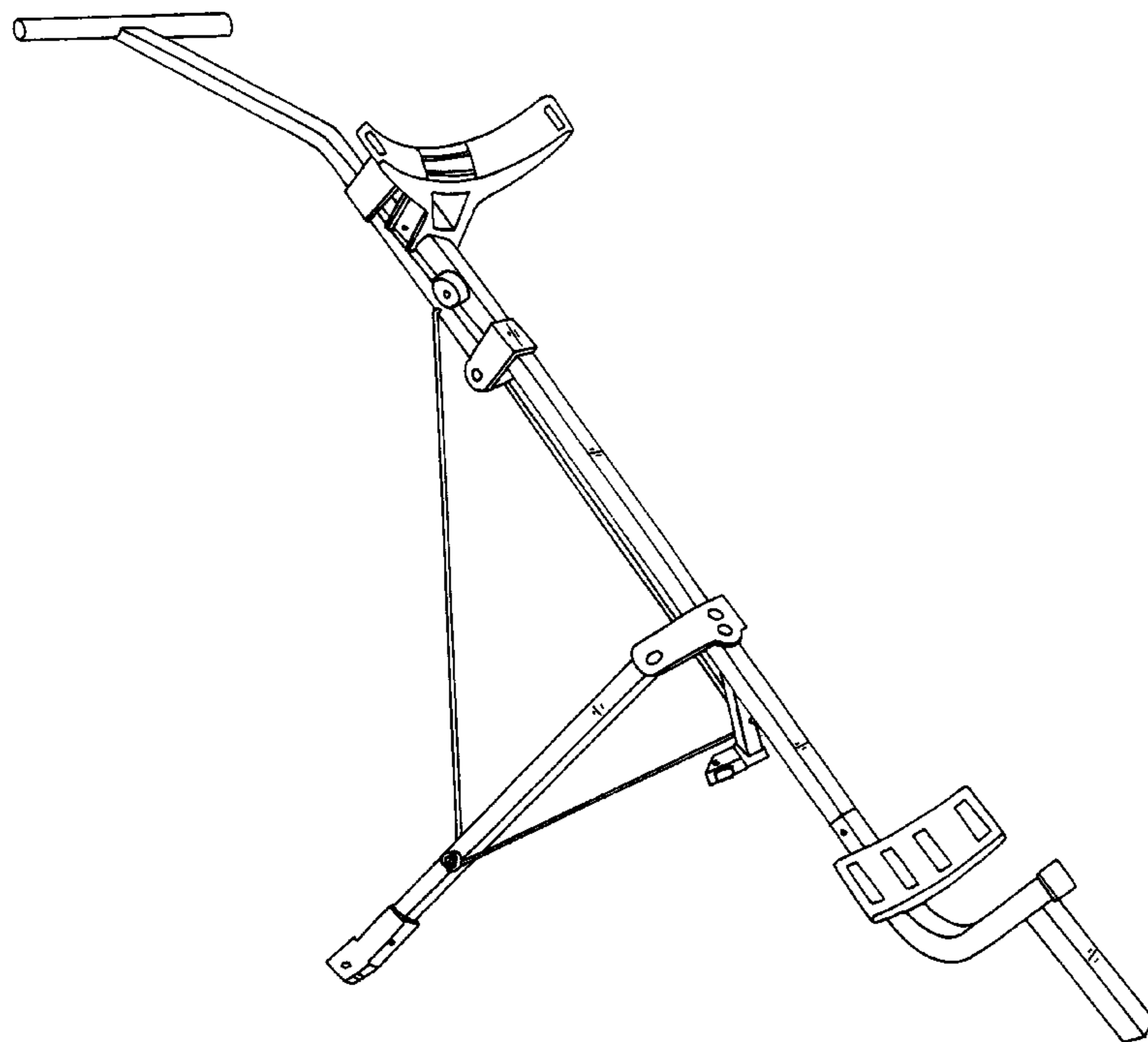
FIG. 1 is a perspective view of a golf cart showing my new design;
FIG. 2 is a front elevational view thereof;
FIG. 3 is a rear elevational view thereof;
FIG. 4 is a top plan view thereof;
FIG. 5 is a bottom plan view thereof;
FIG. 6 is a left side elevational view thereof;
FIG. 7 is a right side elevational view thereof;
FIG. 8 is a rear perspective view thereof; and,
FIG. 9 is a perspective view thereof in its folded condition.

(56) **References Cited**

U.S. PATENT DOCUMENTS

5,180,184 A * 1/1993 Chiu 280/646
5,201,540 A * 4/1993 Wu 280/646
5,765,857 A * 6/1998 Hsiao 280/646

1 Claim, 9 Drawing Sheets



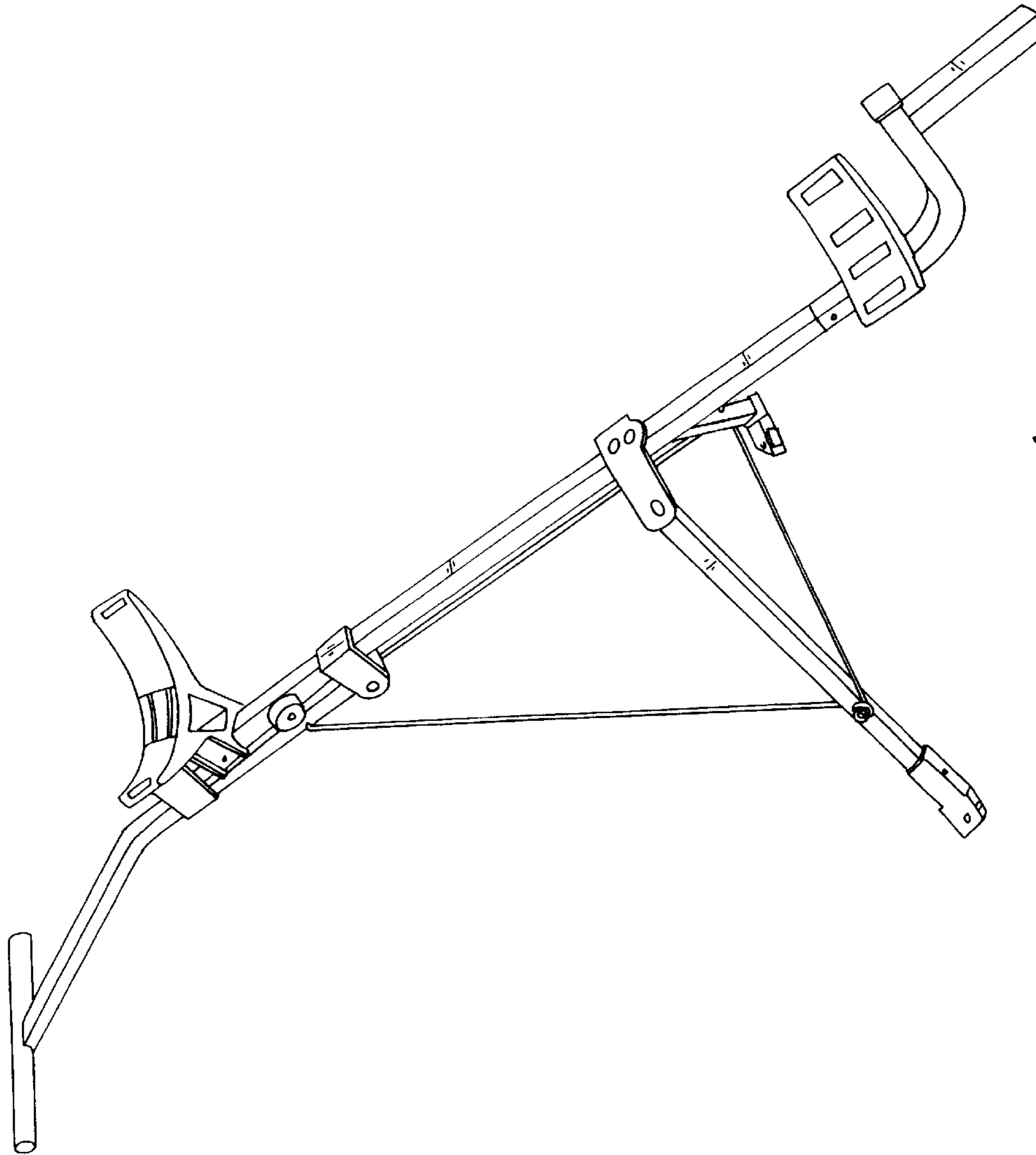


Fig. 1

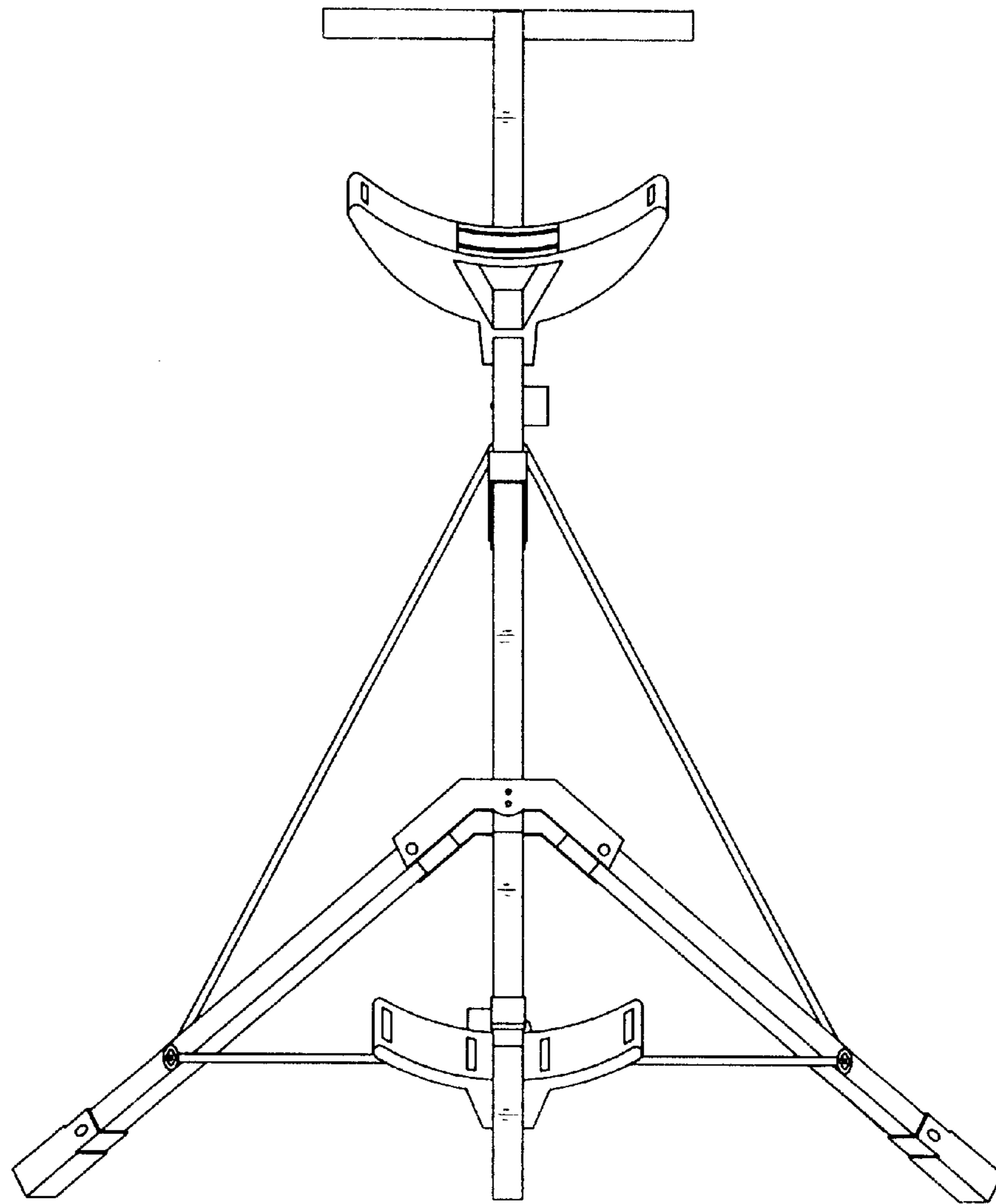


Fig. 2

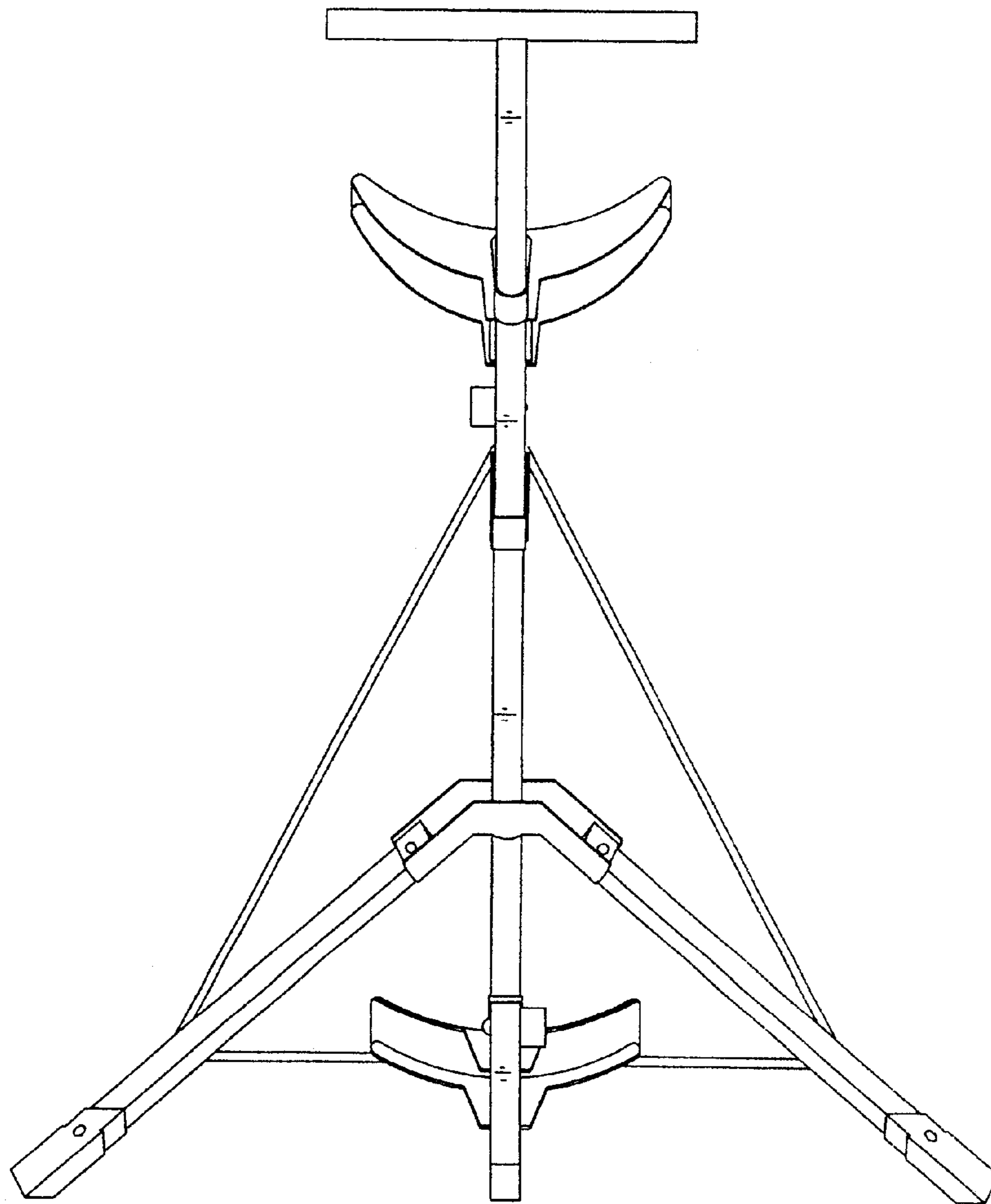


Fig. 3

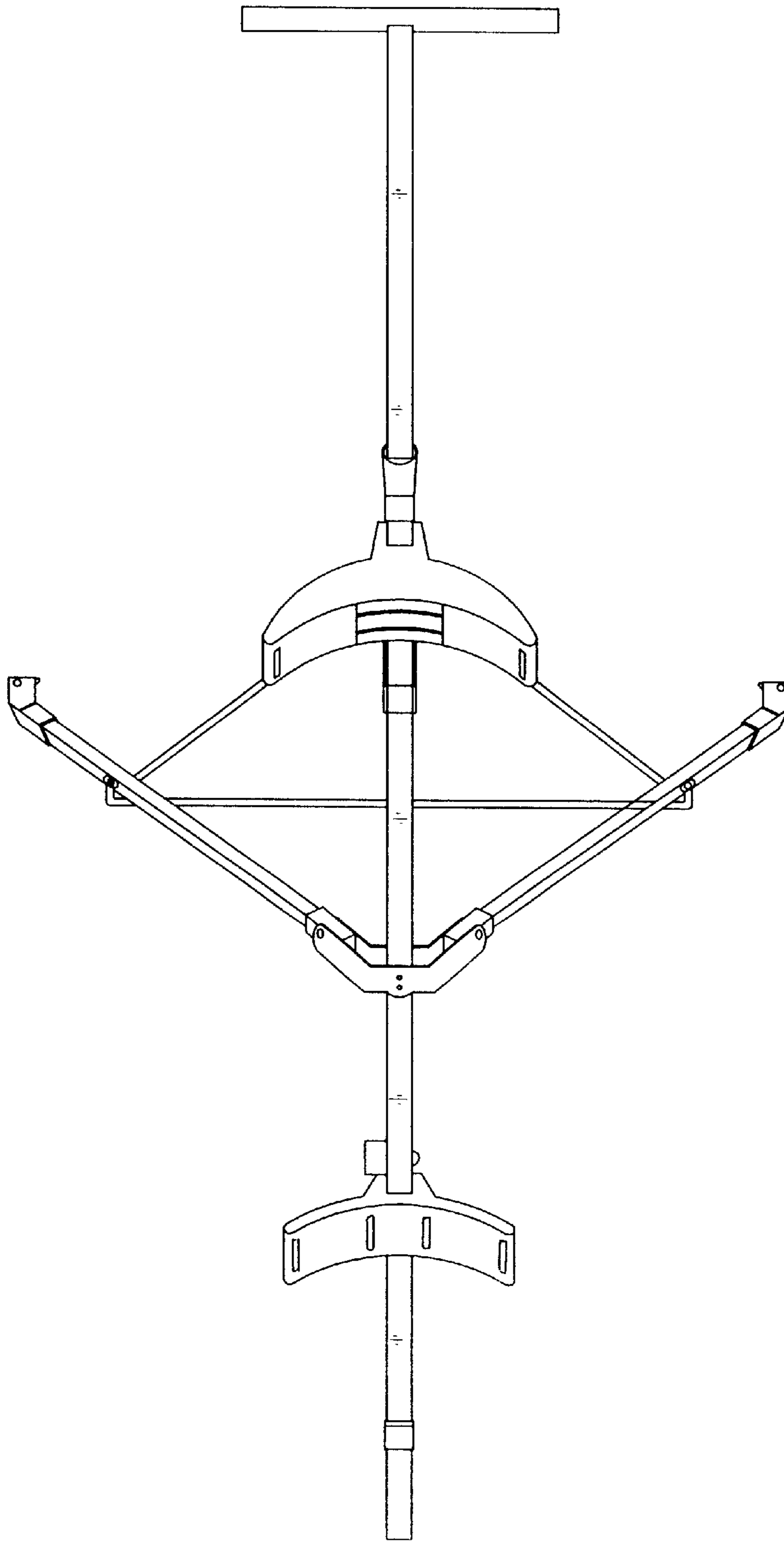


Fig. 4

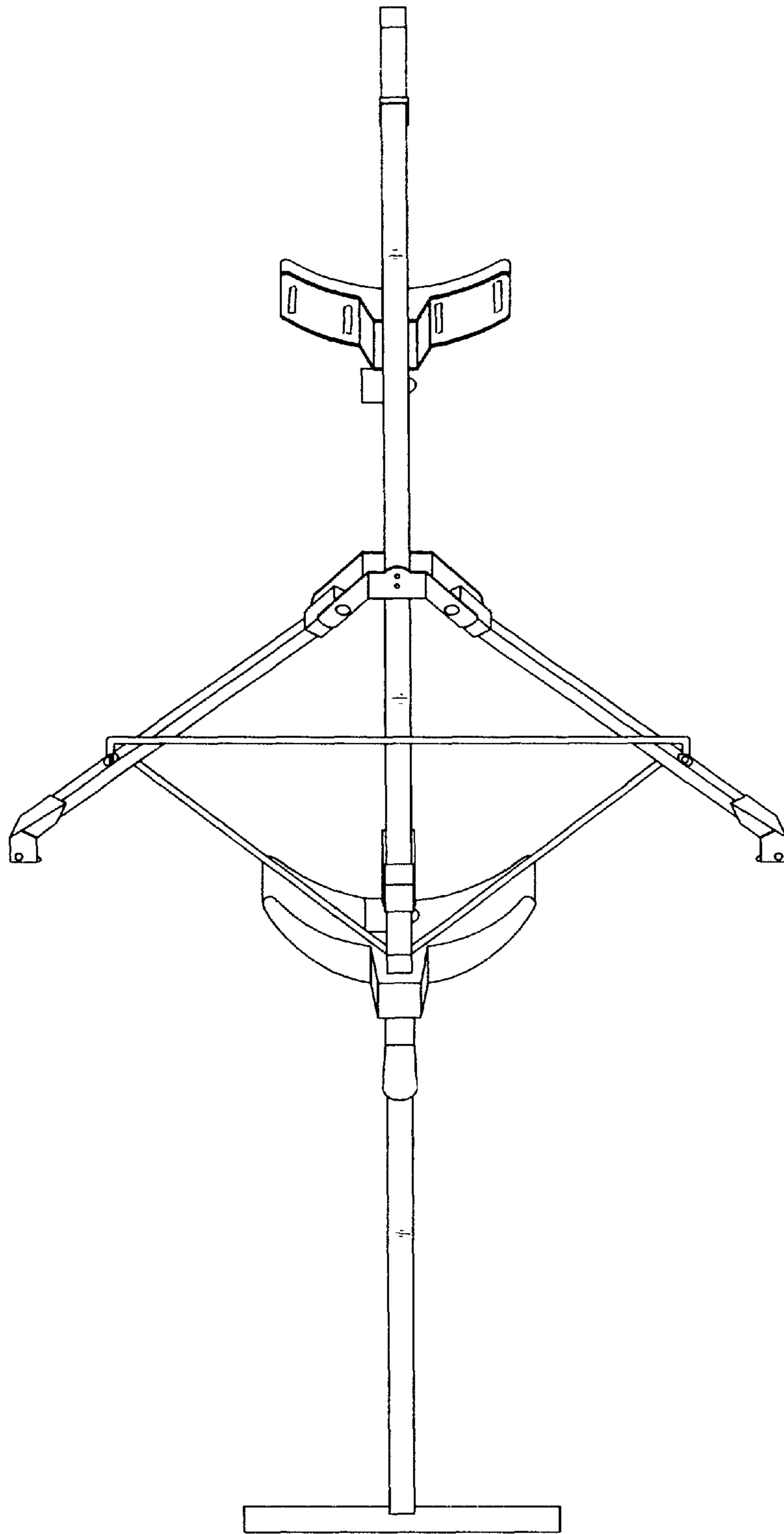


Fig. 5

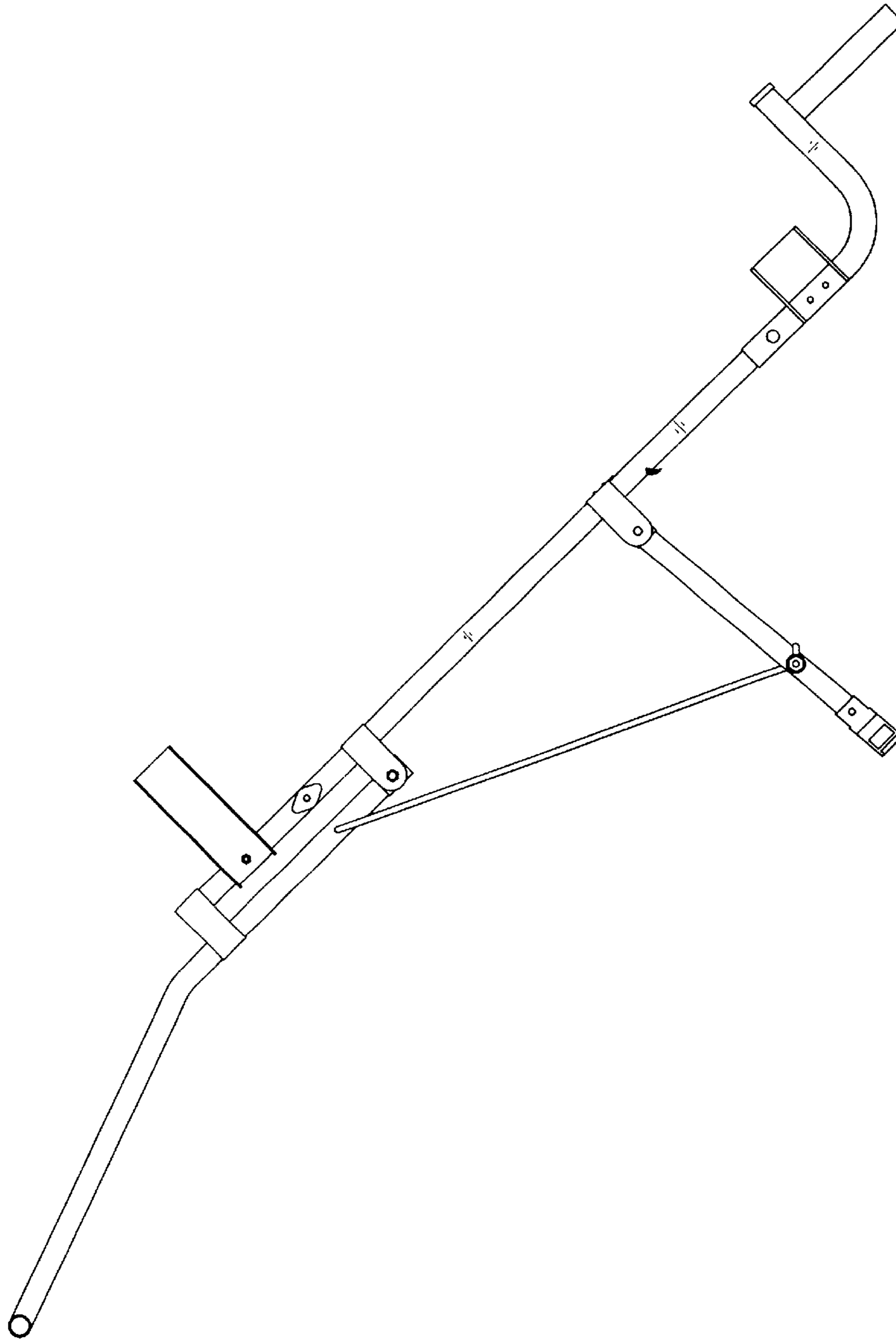


Fig. 6

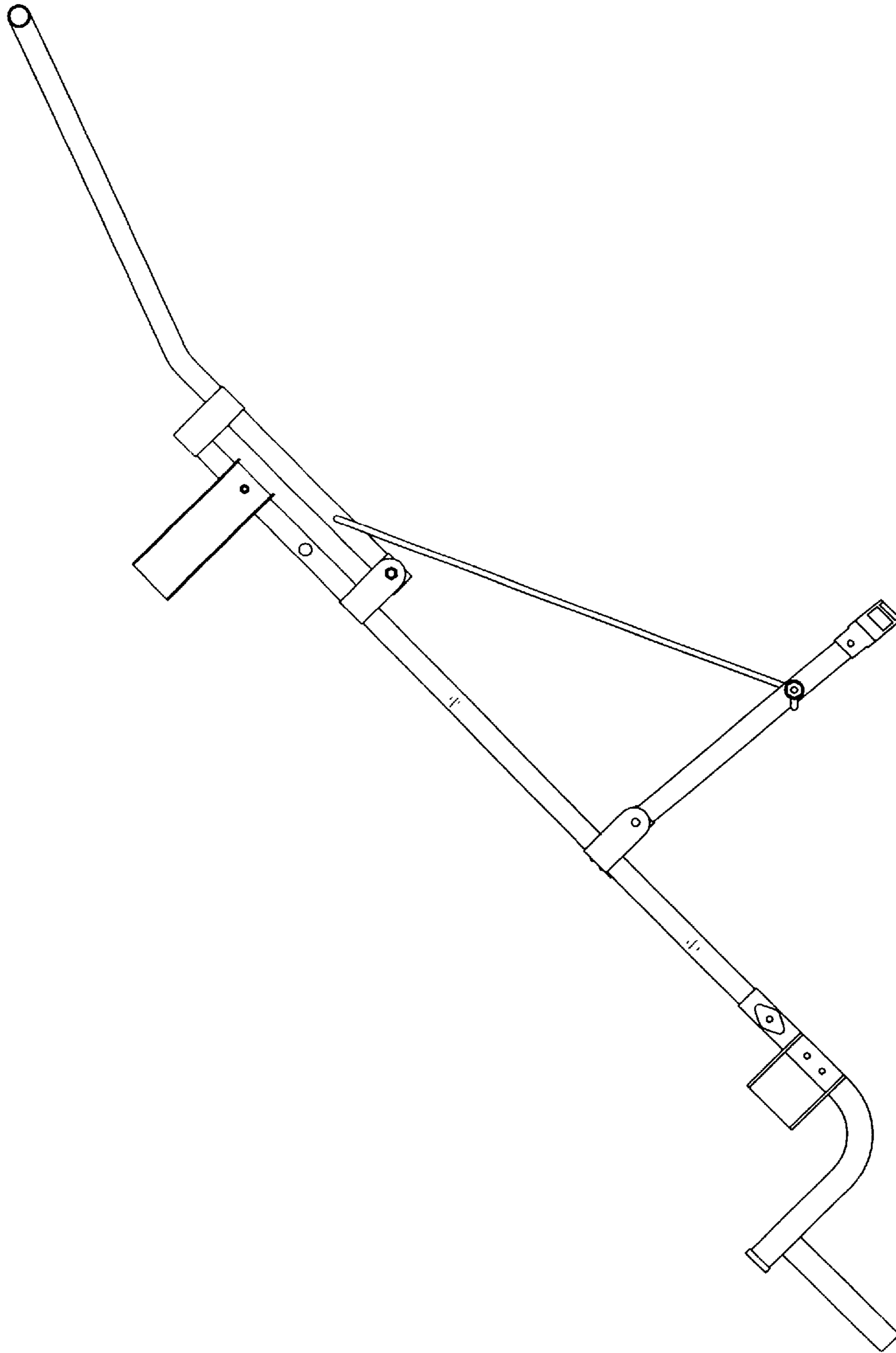


Fig. 7

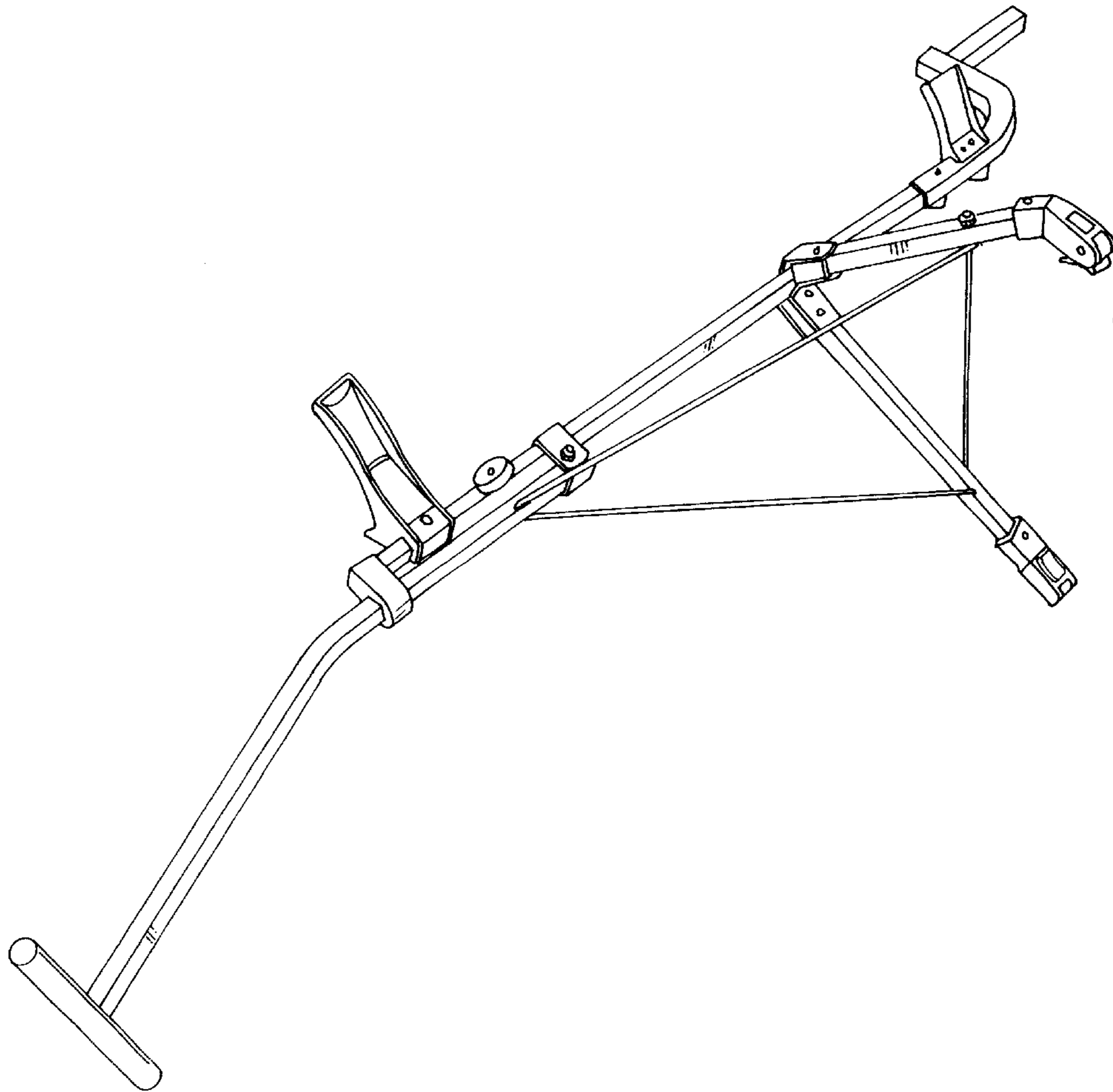


Fig. 8

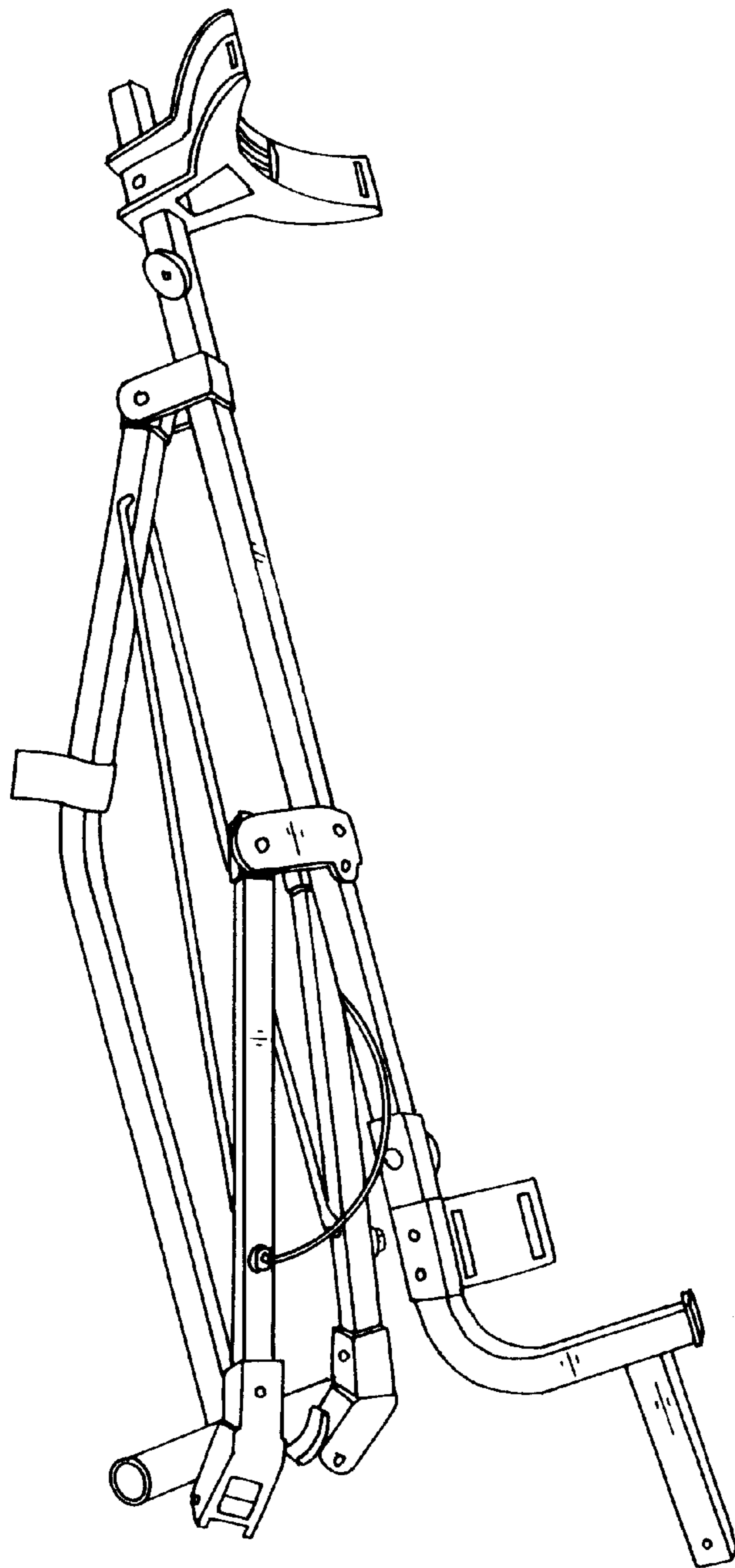


Fig. 9