



US00D519701S

(12) **United States Design Patent**  
**Trudeau**

(10) **Patent No.:** **US D519,701 S**

(45) **Date of Patent:** **\*\* Apr. 25, 2006**

(54) **REFUSE BAG HOLDER**

(76) Inventor: **Harvey Trudeau**, P.O. Box 565,  
Massey (CA), POP 1P0

(\*\*) Term: **14 Years**

(21) Appl. No.: **29/206,140**

(22) Filed: **May 27, 2004**

(51) **LOC (8) Cl.** ..... **09-09**

(52) **U.S. Cl.** ..... **D34/6**

(58) **Field of Classification Search** ..... D34/1,  
D34/5, 6; 220/908, 910, 483; 248/95, 97,  
248/99, 100, 101, 907, 175  
See application file for complete search history.

(56) **References Cited**

**U.S. PATENT DOCUMENTS**

D229,364 S	*	11/1973	Juhlin	.....	D34/6
D277,707 S	*	2/1985	Rico	.....	D34/6
D279,616 S	*	7/1985	Deacon	.....	D34/6
D286,217 S	*	10/1986	Waun et al.	.....	D34/6
4,998,694 A	*	3/1991	Barteaux	.....	248/100
4,998,695 A	*	3/1991	Nobis	.....	248/101
D352,582 S	*	11/1994	Hachenberg	.....	D34/6
D360,511 S	*	7/1995	Kurtzman et al.	.....	D34/6
D389,633 S	*	1/1998	Ziegler	.....	D34/6
5,836,553 A	*	11/1998	Bergaila	.....	248/99

D420,235 S \* 2/2000 Cordero ..... D6/512  
D421,171 S \* 2/2000 Hampshire ..... D34/6

\* cited by examiner

*Primary Examiner*—Cynthia E. Ramirez  
(74) *Attorney, Agent, or Firm*—Mike M. Gauthier

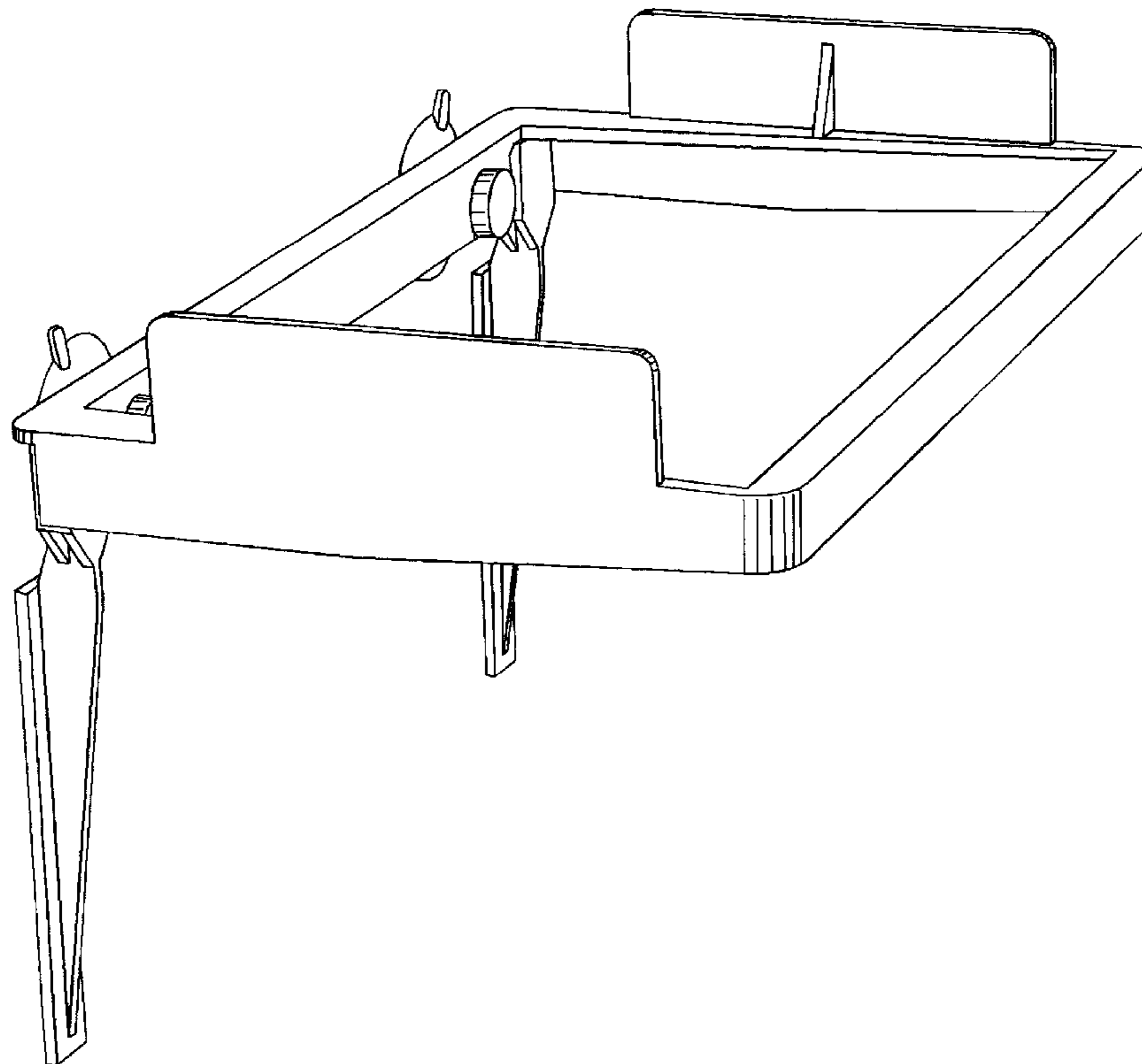
(57) **CLAIM**

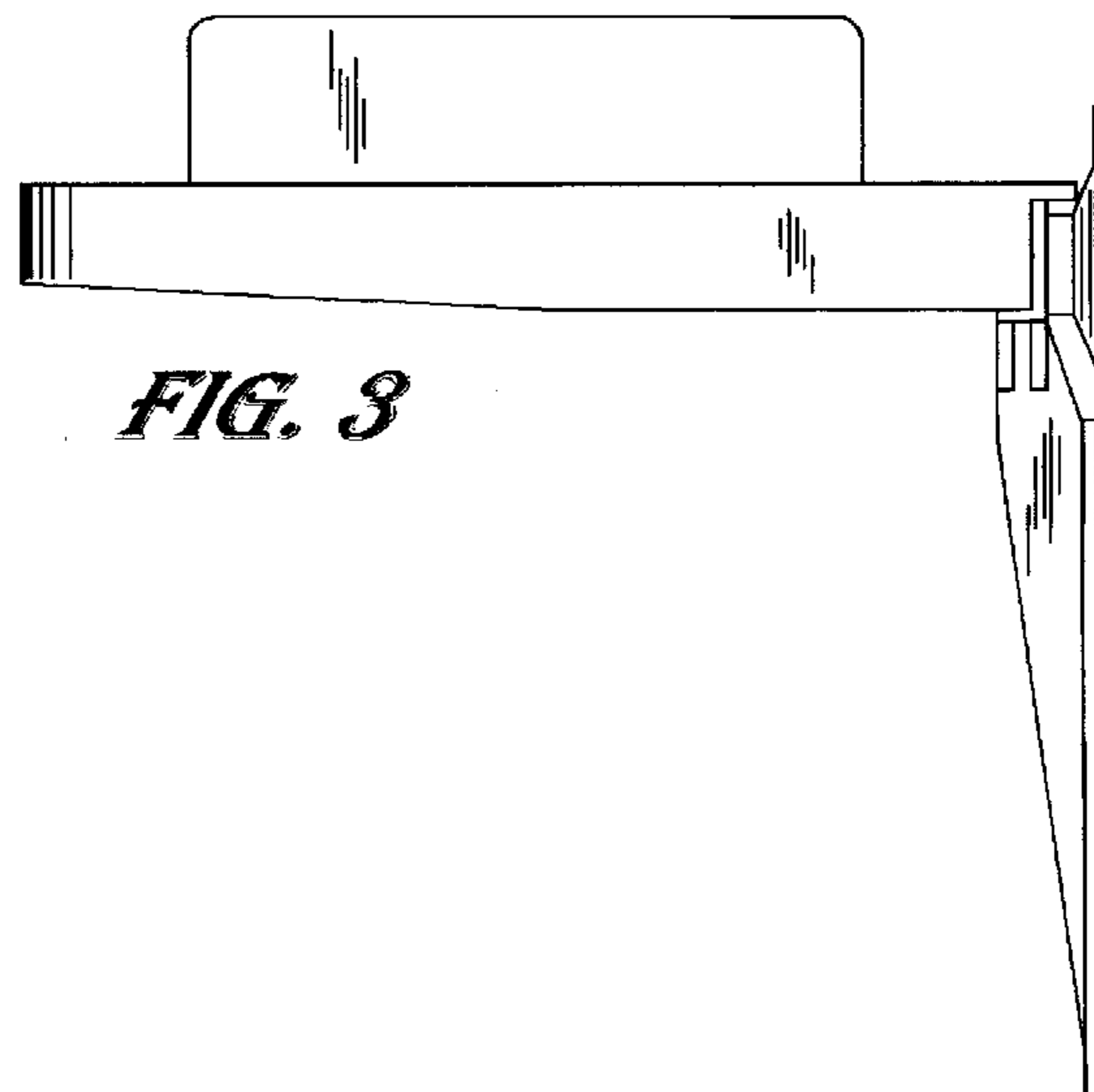
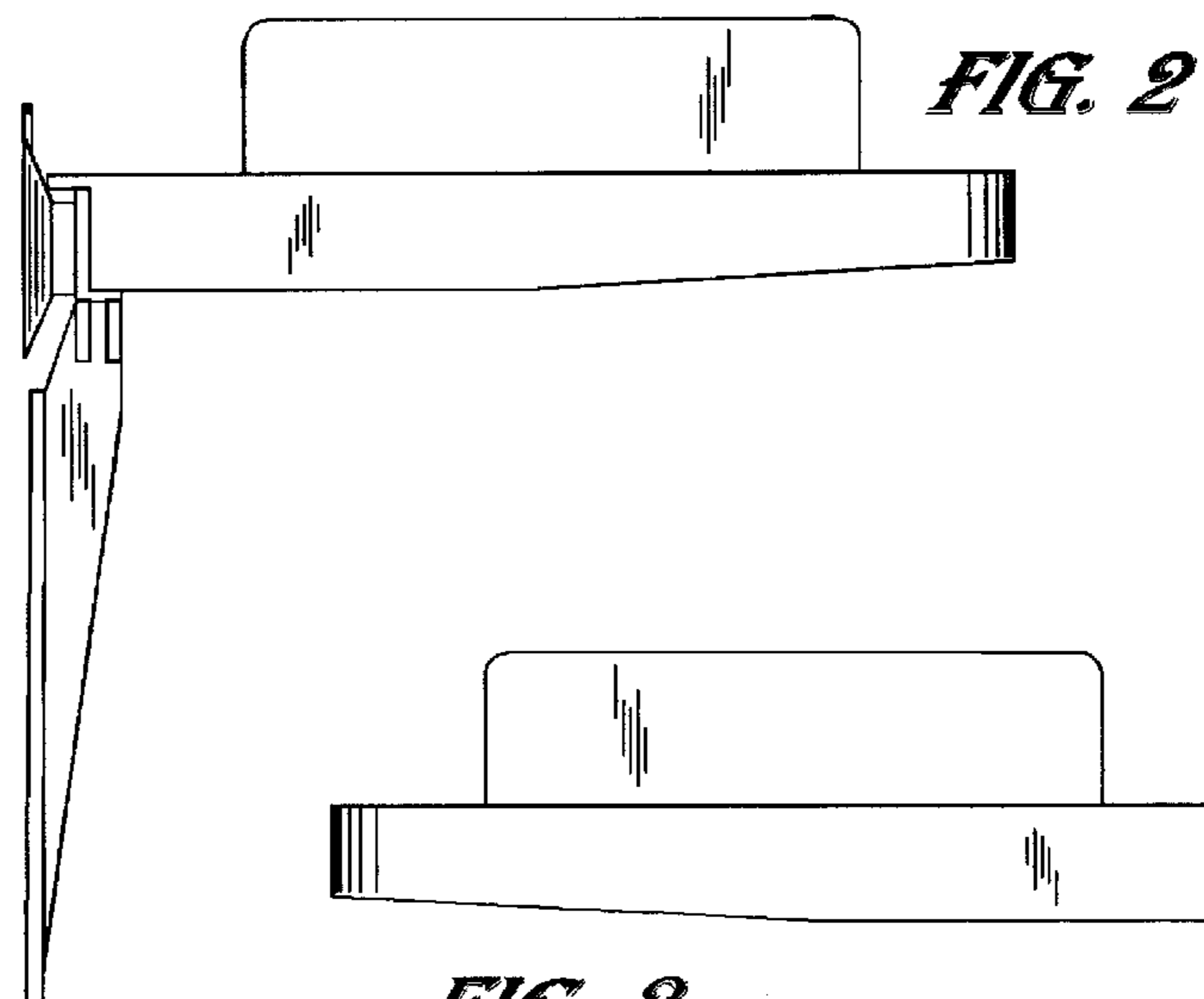
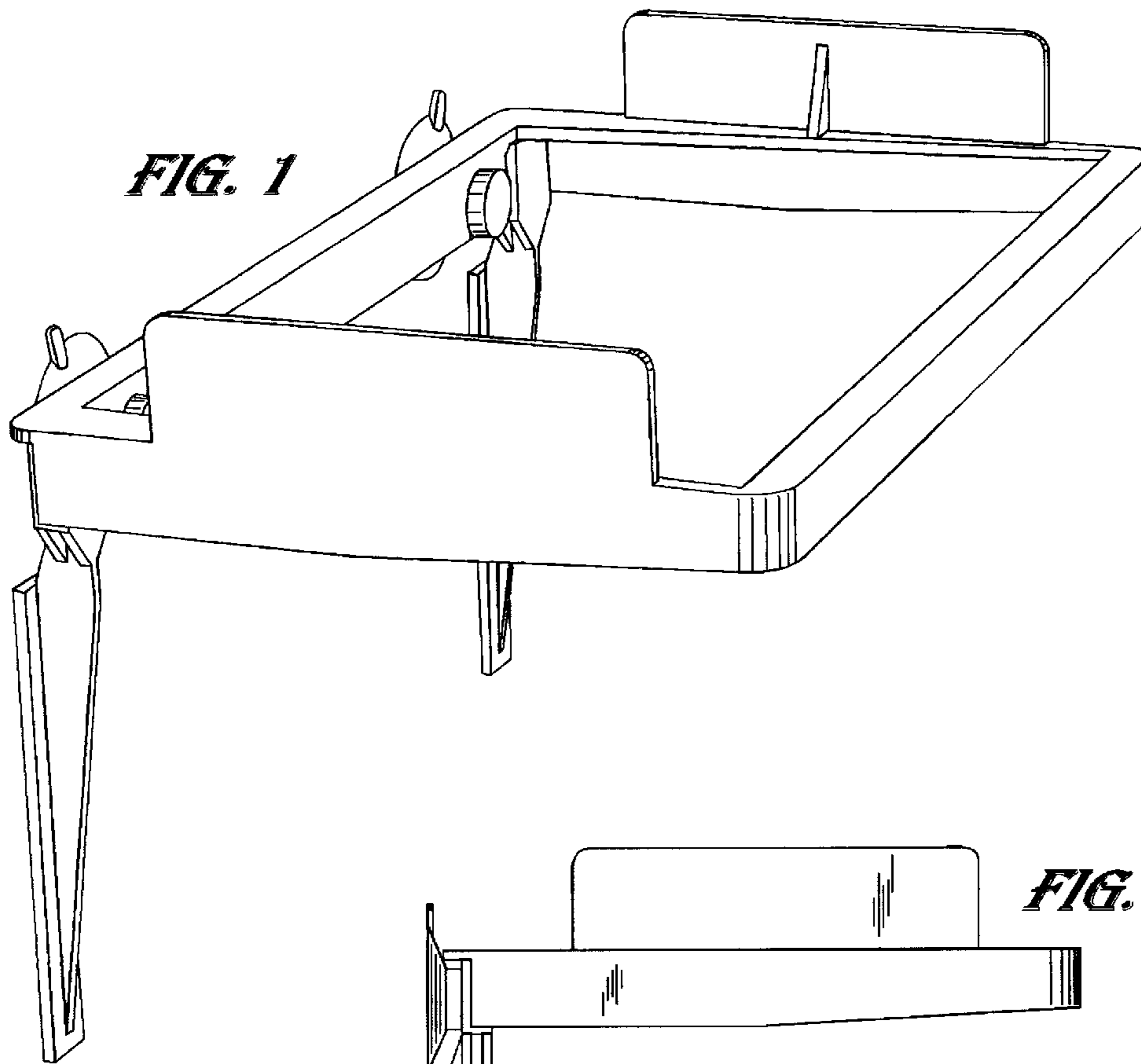
I claim the ornamental design for the refuse bag holder, as shown and described.

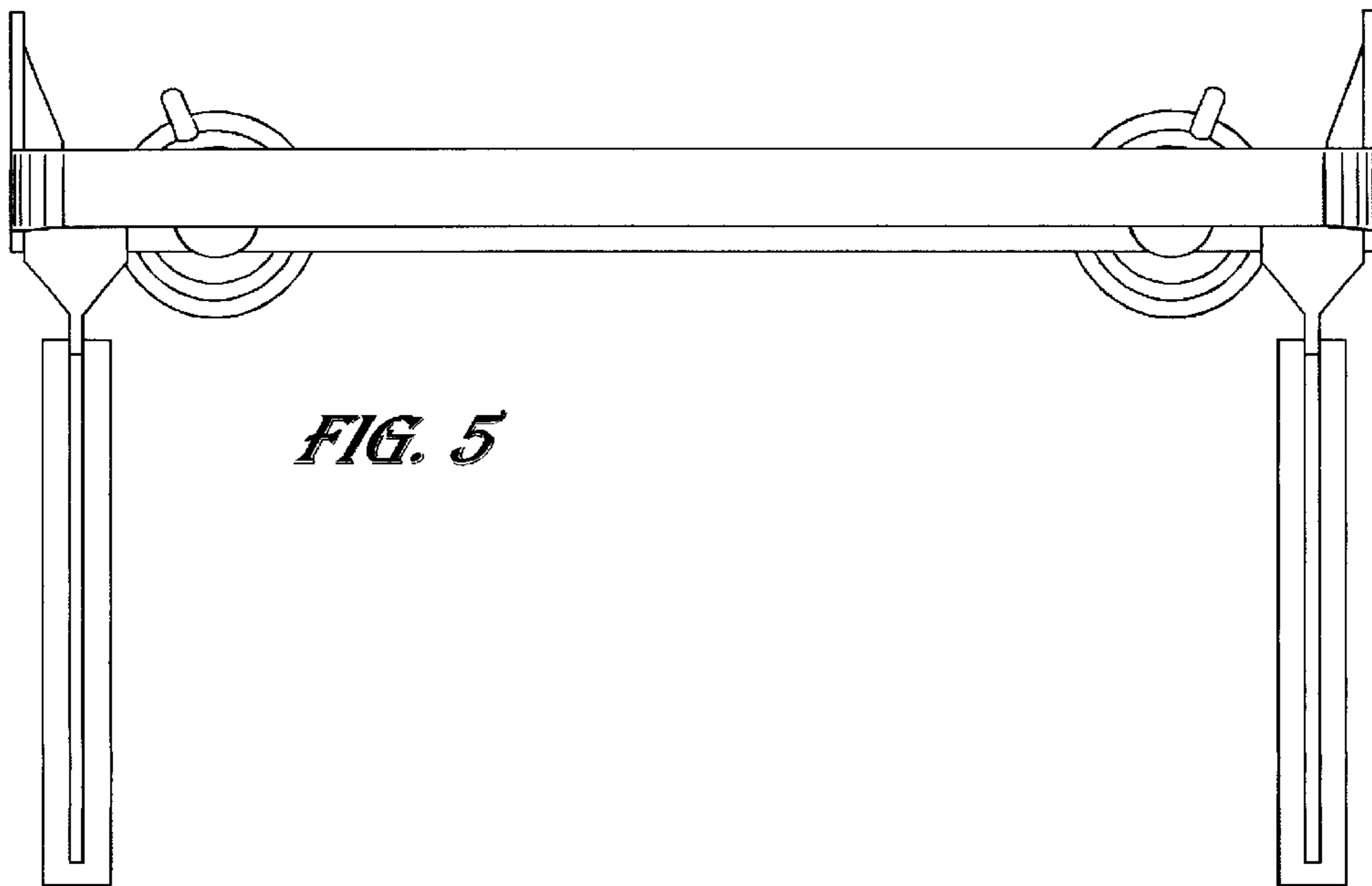
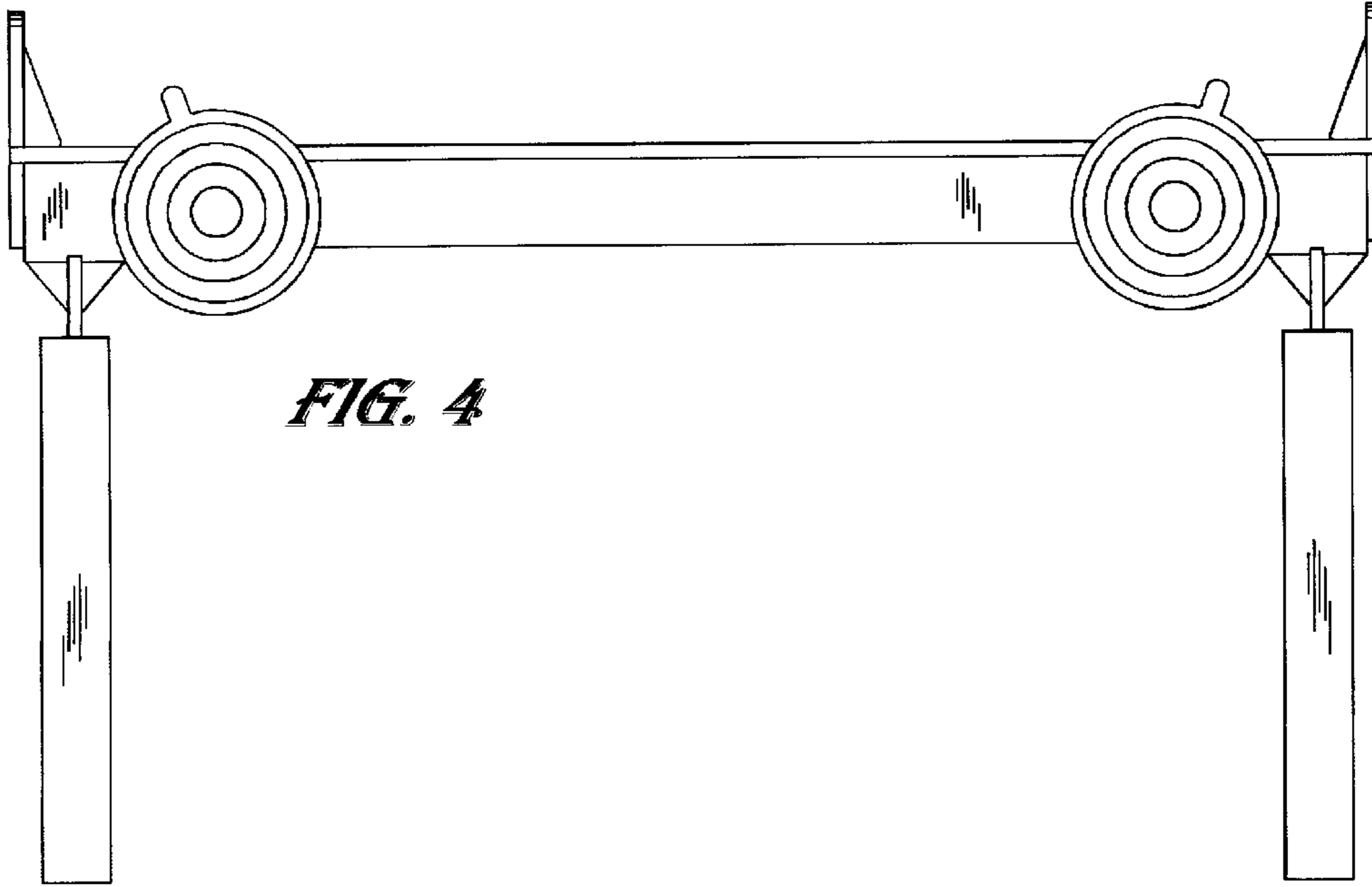
**DESCRIPTION**

FIG. 1 is a perspective view from above of the refuse bag holder of the present design.  
FIG. 2 is a left side elevation view of the refuse bag holder of the present design.  
FIG. 3 is a right side elevation view of the refuse bag holder of the present design.  
FIG. 4 is a rear elevation view of the refuse bag holder of the present design.  
FIG. 5 is a front elevation view of the refuse bag holder of the present design.  
FIG. 6 is a top plan view of the refuse bag holder of the present design; and,  
FIG. 7 is a bottom plan view of the refuse bag holder of the present design.

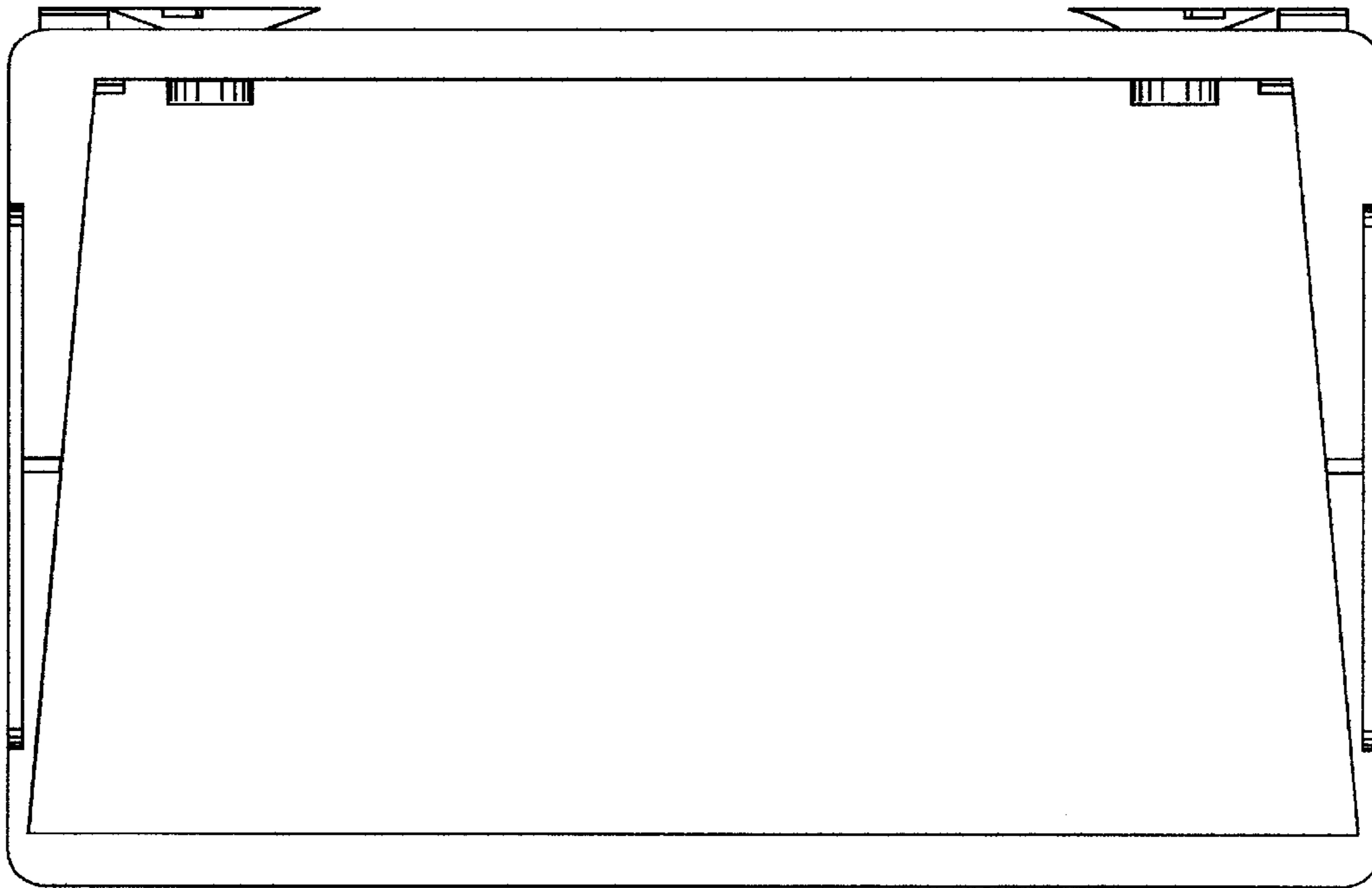
**1 Claim, 3 Drawing Sheets**







**FIG. 6**



**FIG. 7**

