



US00D519698S

(12) **United States Design Patent**
Jones

(10) **Patent No.:** **US D519,698 S**

(45) **Date of Patent:** **** Apr. 25, 2006**

(54) **CLEANING TOOL**

(76) Inventor: **Linda M. Jones**, 3780 Plumas St.,
Reno, NV (US) 89509

(**) Term: **14 Years**

(21) Appl. No.: **29/215,896**

(22) Filed: **Oct. 25, 2004**

(51) **LOC (8) Cl.** **08-05**

(52) **U.S. Cl.** **D32/49**

(58) **Field of Classification Search** D32/40,
D32/46, 49; D8/14, 16, 18-20; 15/236.01,
15/236.05, 236.06, 236.07, 236.08, 236.09;
30/169, 171, 172

See application file for complete search history.

(56) **References Cited**

U.S. PATENT DOCUMENTS

2,824,323	A	*	2/1958	Tos et al.	15/236.05	X
D208,249	S	*	8/1967	Prunchak	D32/46	
D242,980	S	*	1/1977	Fuller et al.	D8/20	
4,112,537	A	*	9/1978	Heuck	15/236.05	X
D264,543	S	*	5/1982	Ashley	D32/49	
D267,281	S	*	12/1982	Mottl et al.	D32/46	

D304,892 S * 12/1989 Bevilacqua D32/46 X

* cited by examiner

Primary Examiner—Alan P. Douglas

Assistant Examiner—Lavone D. Tabor

(74) *Attorney, Agent, or Firm*—R. Michael West

(57) **CLAIM**

The ornamental design for a cleaning tool, as shown and described.

DESCRIPTION

FIG. 1 is a left front perspective of a cleaning tool, showing my new design;

FIG. 2 is a front elevational view, thereof;

FIG. 3 is a rear elevational view, thereof;

FIG. 4 is a top plan view, thereof;

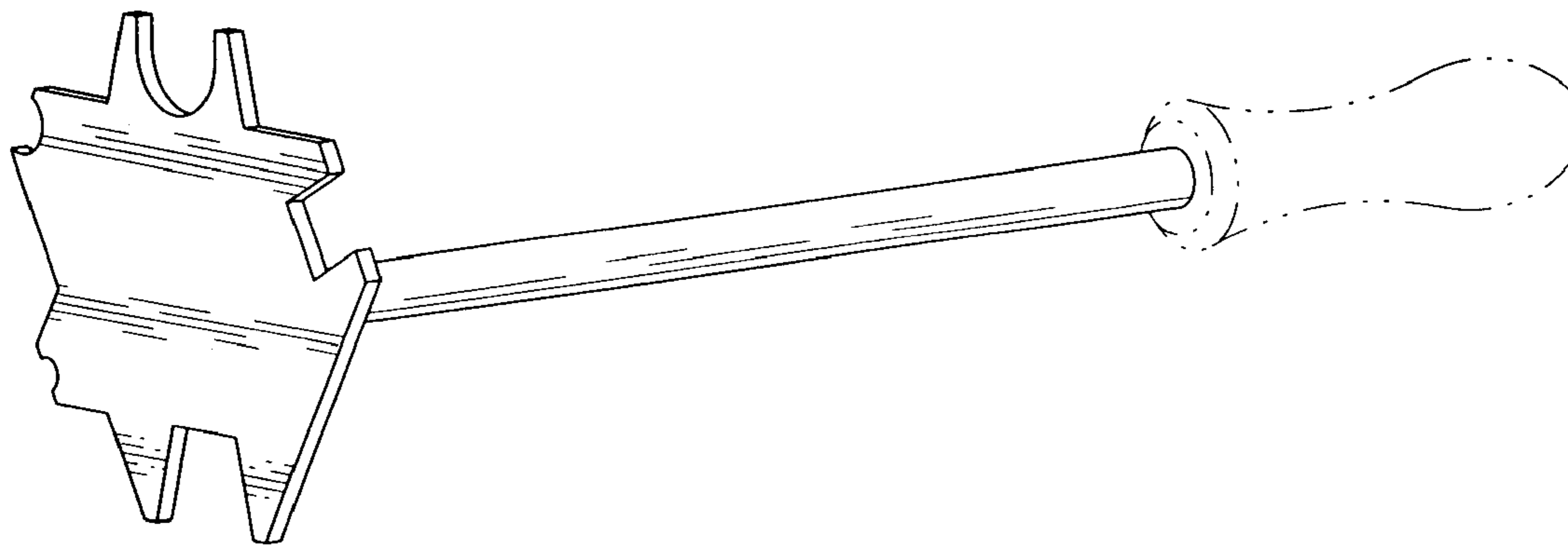
FIG. 5 is an elevational view of one side, thereof;

FIG. 6 is an elevational view of the other side, thereof; and,

FIG. 7 is a bottom plan view, thereof.

The broken line representation of the handle shown in the views is included solely for illustrative purposes, forming no part of the claimed design.

1 Claim, 1 Drawing Sheet



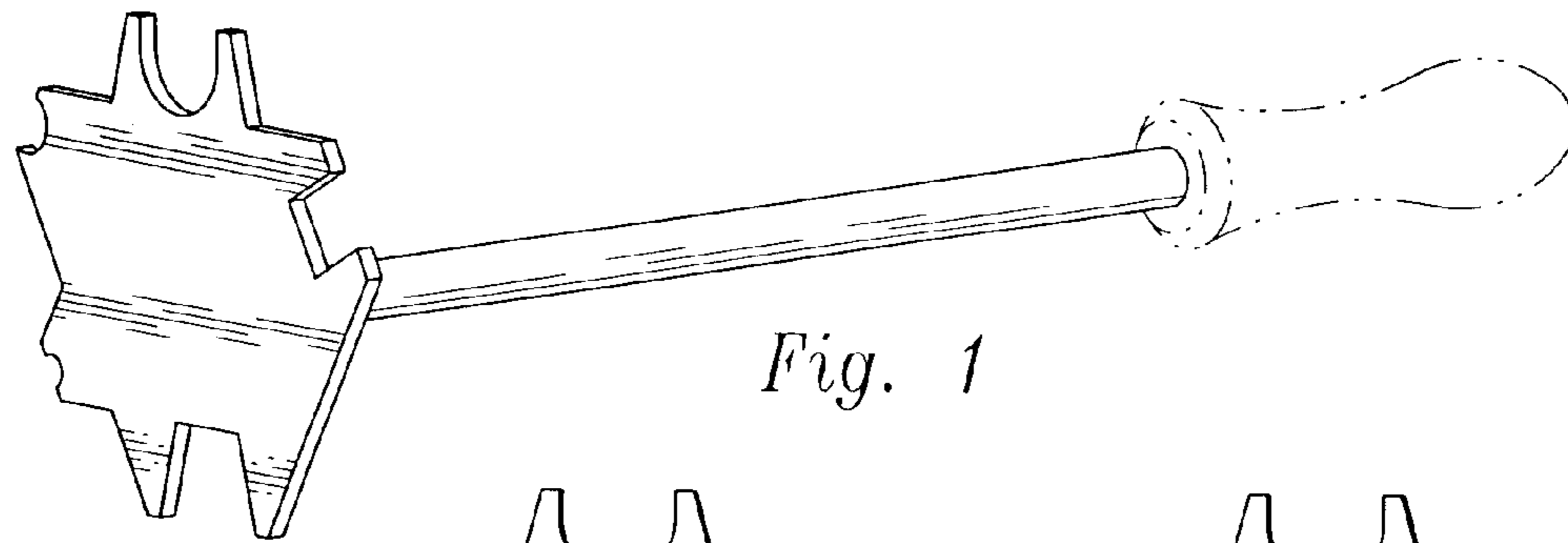


Fig. 1

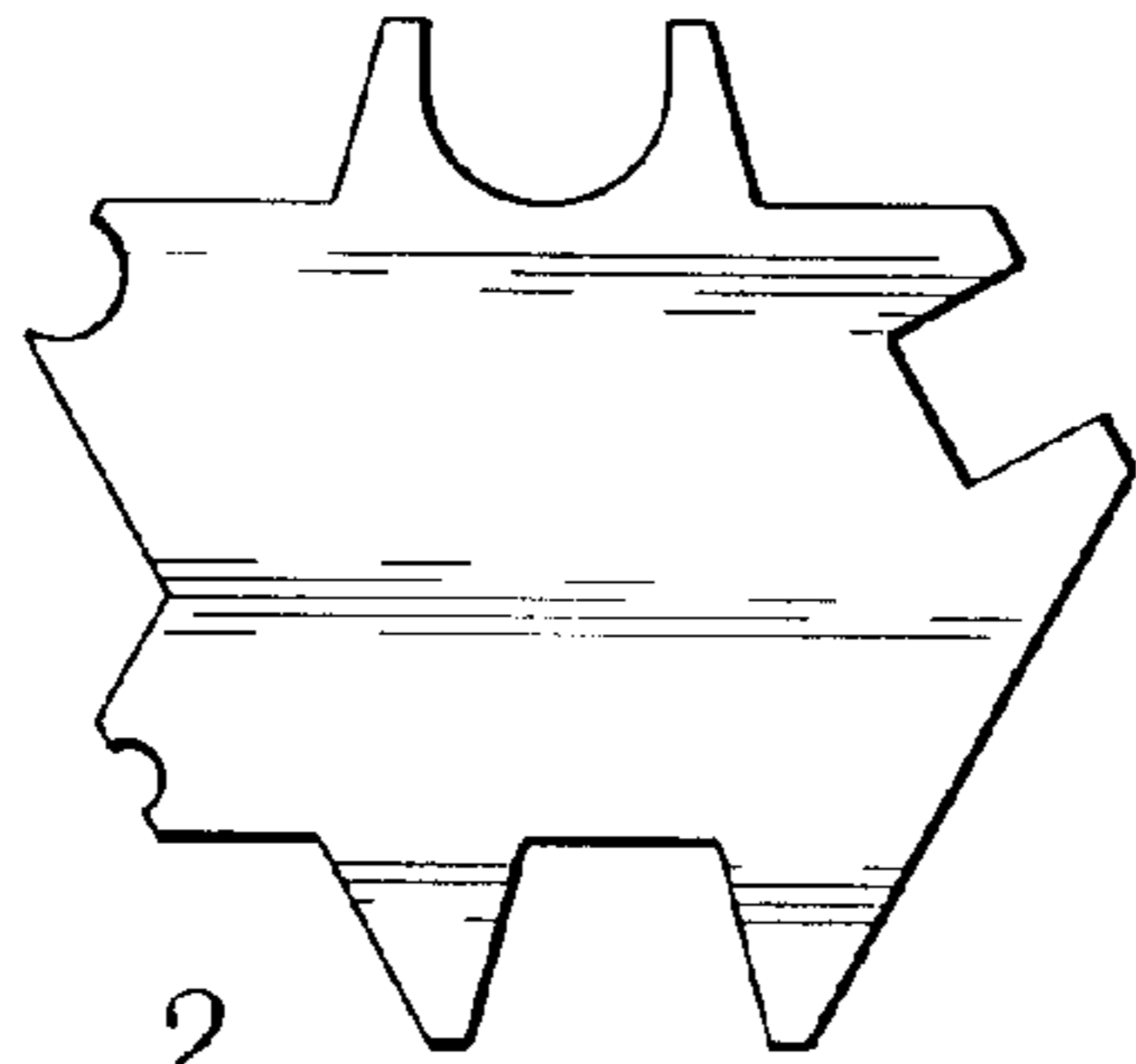


Fig. 2

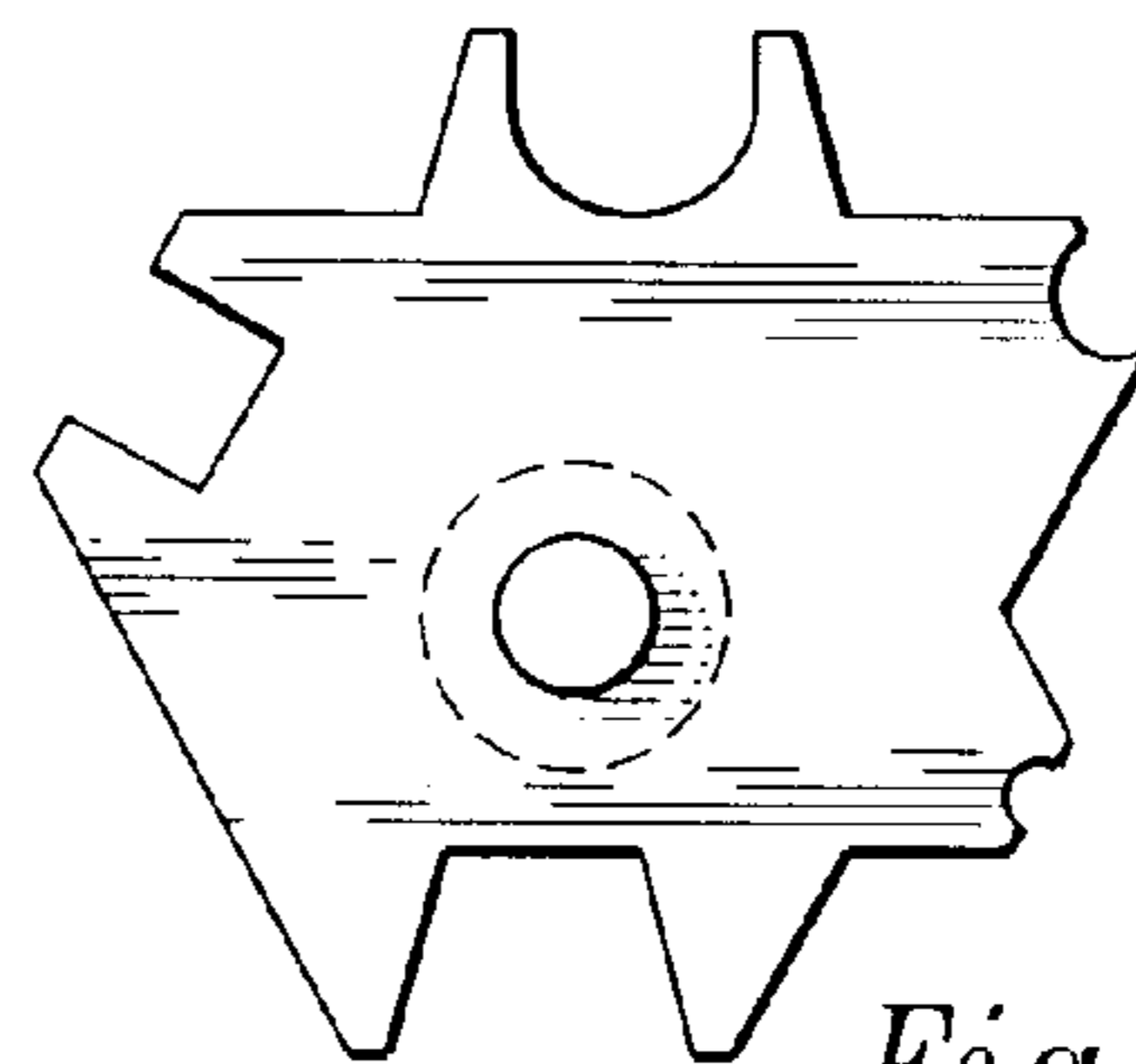


Fig. 3

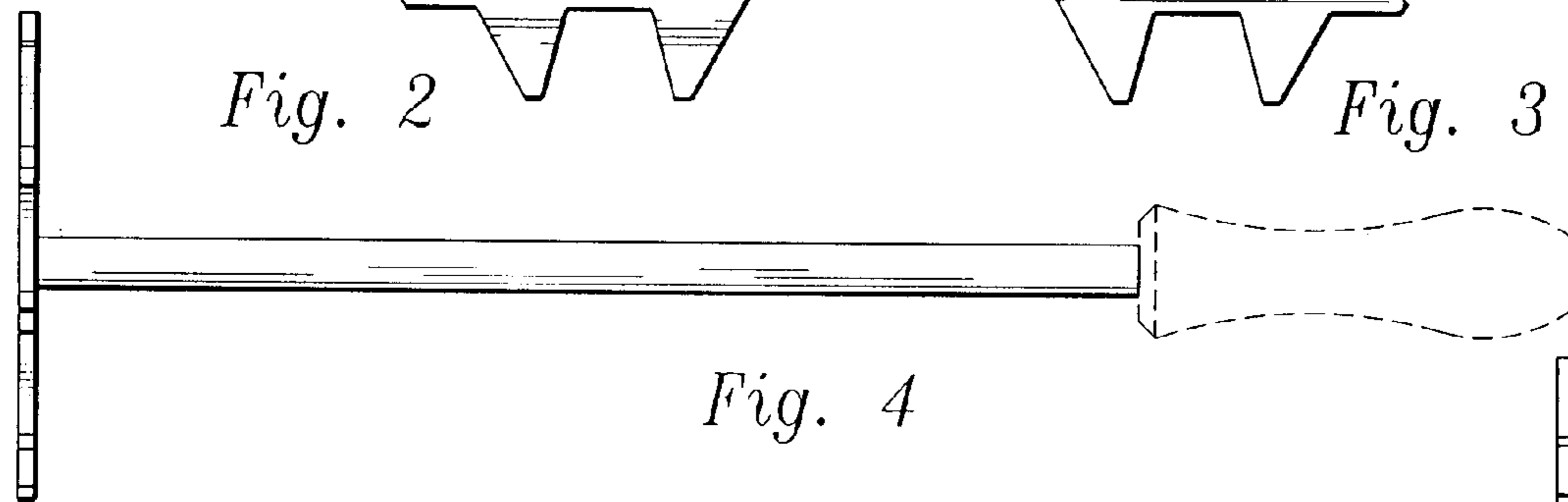


Fig. 4

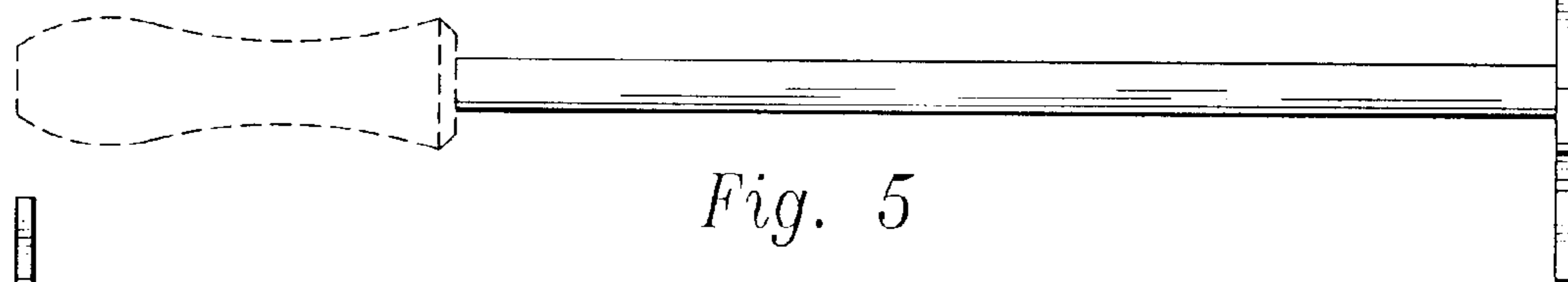


Fig. 5

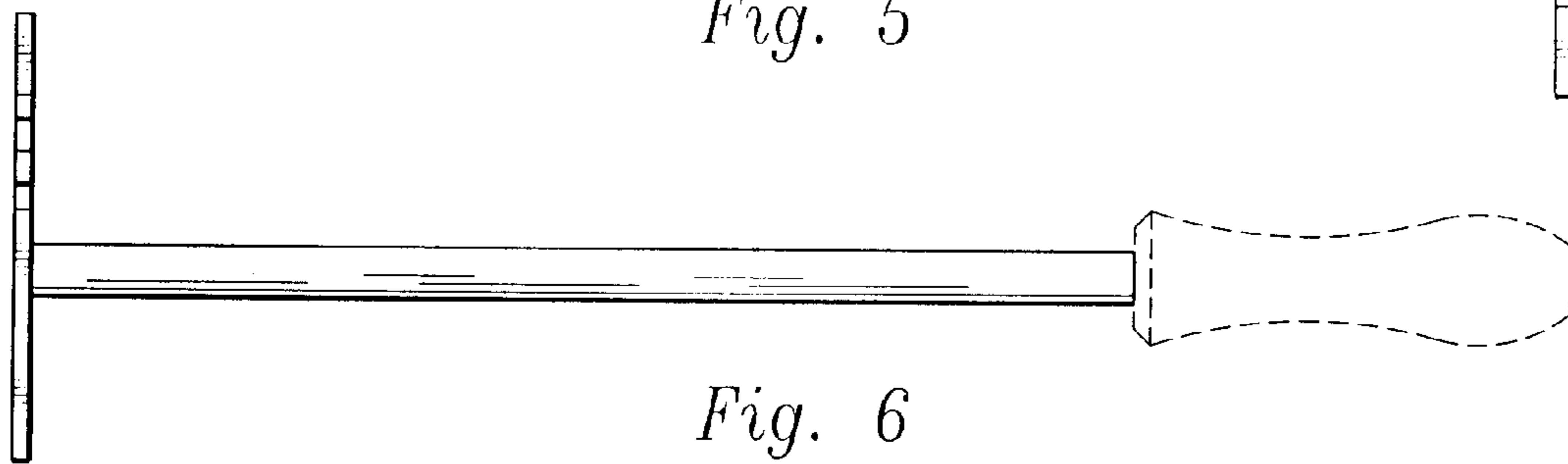


Fig. 6

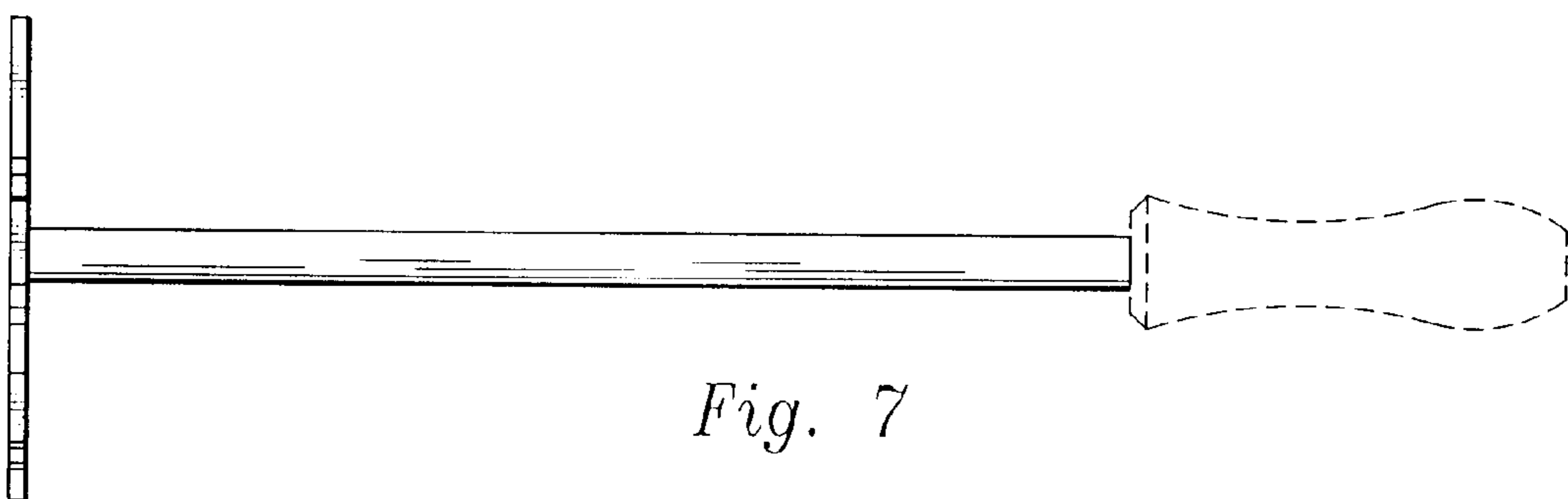


Fig. 7