



US00D519695S

(12) **United States Design Patent**
Verdura

(10) **Patent No.:** **US D519,695 S**
(45) **Date of Patent:** **** Apr. 25, 2006**

(54) **CARPET CLEANER**

(75) Inventor: **Javier Verdura**, Milford, CT (US)

(73) Assignee: **Oreck Holdings, LLC**, Cheyenne, WY (US)

(**) Term: **14 Years**

(21) Appl. No.: **29/214,686**

(22) Filed: **Oct. 7, 2004**

(51) **LOC (8) Cl.** **15-05**

(52) **U.S. Cl.** **D32/22**

(58) **Field of Classification Search** D32/32,
D32/34, 21, 18, 31, 22, 33; 15/347, 327.1–327.7,
15/321, 344, 320, 329, 335, 361, 410, 412,
15/323, 324, 350–353, 322, 339, 354, 355,
15/358, 378, 415 R

See application file for complete search history.

(56) **References Cited**

U.S. PATENT DOCUMENTS

| | | | | | | |
|-----------|---|---|---------|-----------------|-------|--------|
| 4,559,665 | A | * | 12/1985 | Fitzwater | | 15/339 |
| 4,566,149 | A | * | 1/1986 | Fitzwater | | 15/320 |
| D287,894 | S | | 1/1987 | Watkins et al. | | |
| D288,016 | S | | 1/1987 | Watkins et al. | | |
| 4,709,442 | A | * | 12/1987 | Sletten, II | | 15/320 |
| D293,729 | S | * | 1/1988 | Soeffker et al. | | D32/22 |
| D306,087 | S | * | 2/1990 | Woodhall et al. | | D32/22 |

| | | | | | | |
|-----------|----|---|---------|-------------------|-------|--------|
| D345,830 | S | | 4/1994 | Furcron et al. | | |
| D346,247 | S | | 4/1994 | Furcron et al. | | |
| D346,467 | S | | 4/1994 | Furcron et al. | | |
| 5,311,638 | A | * | 5/1994 | Furcron et al. | | 15/321 |
| D358,241 | S | * | 5/1995 | Bradd | | D32/22 |
| D399,615 | S | | 10/1998 | Hajjar et al. | | |
| 6,467,122 | B1 | * | 10/2002 | Lenkiewicz et al. | | 15/320 |
| 6,536,071 | B1 | * | 3/2003 | Zahuranec et al. | | 15/320 |
| 6,842,942 | B1 | * | 1/2005 | Morgan et al. | | 15/414 |

* cited by examiner

Primary Examiner—Louis S. Zarfaz

Assistant Examiner—Kathleen Sims

(74) *Attorney, Agent, or Firm*—Setter Ollila LLC

(57) **CLAIM**

The ornamental design for a carpet cleaner, as shown and described.

DESCRIPTION

FIG. 1 is a front perspective view of a carpet cleaner showing the new design;

FIG. 2 is a front view thereof;

FIG. 3 is a back view thereof;

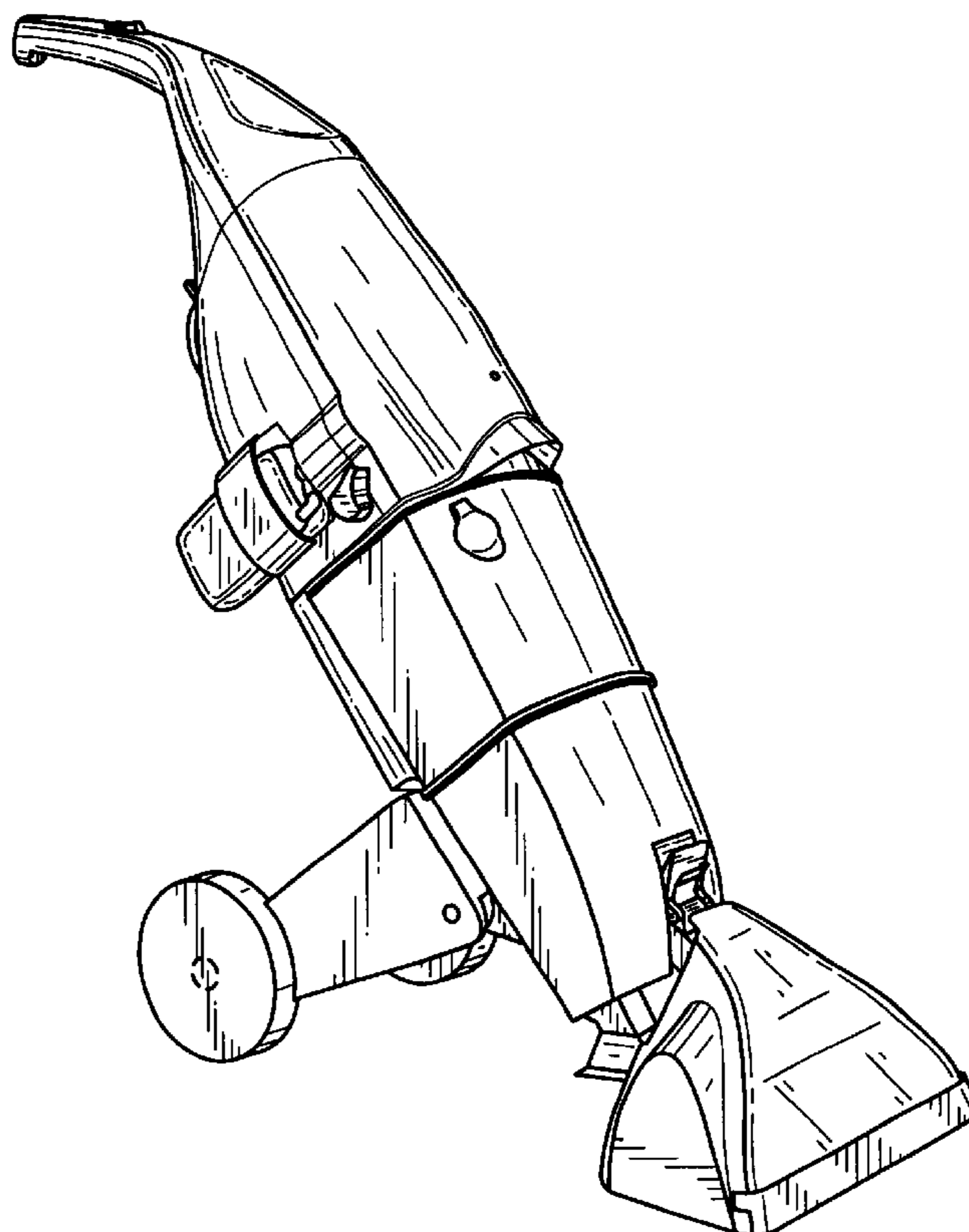
FIG. 4 is a right side view thereof;

FIG. 5 is a left side view thereof;

FIG. 6 is a top side view thereof; and,

FIG. 7 is a bottom view thereof.

1 Claim, 4 Drawing Sheets



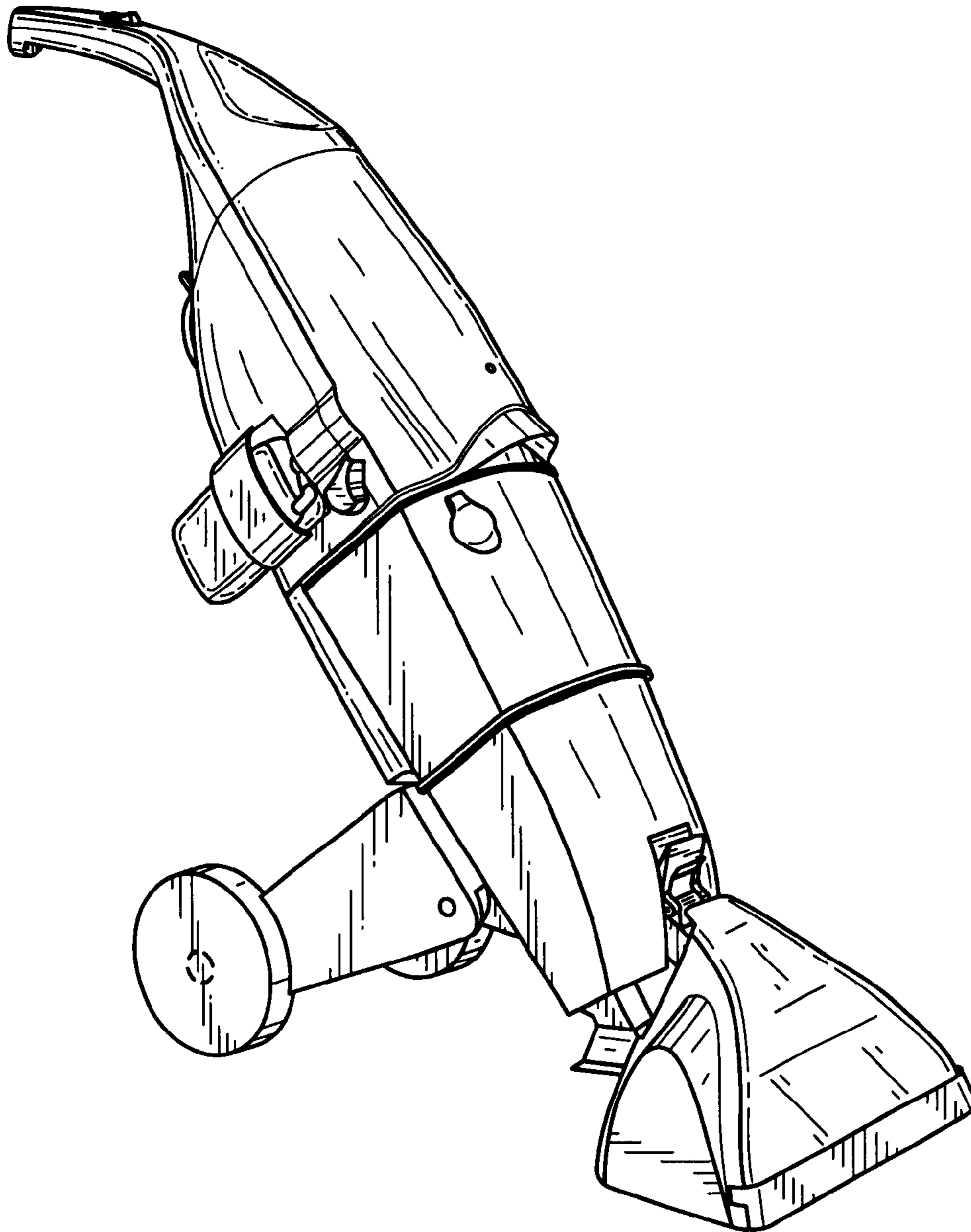


FIG.1

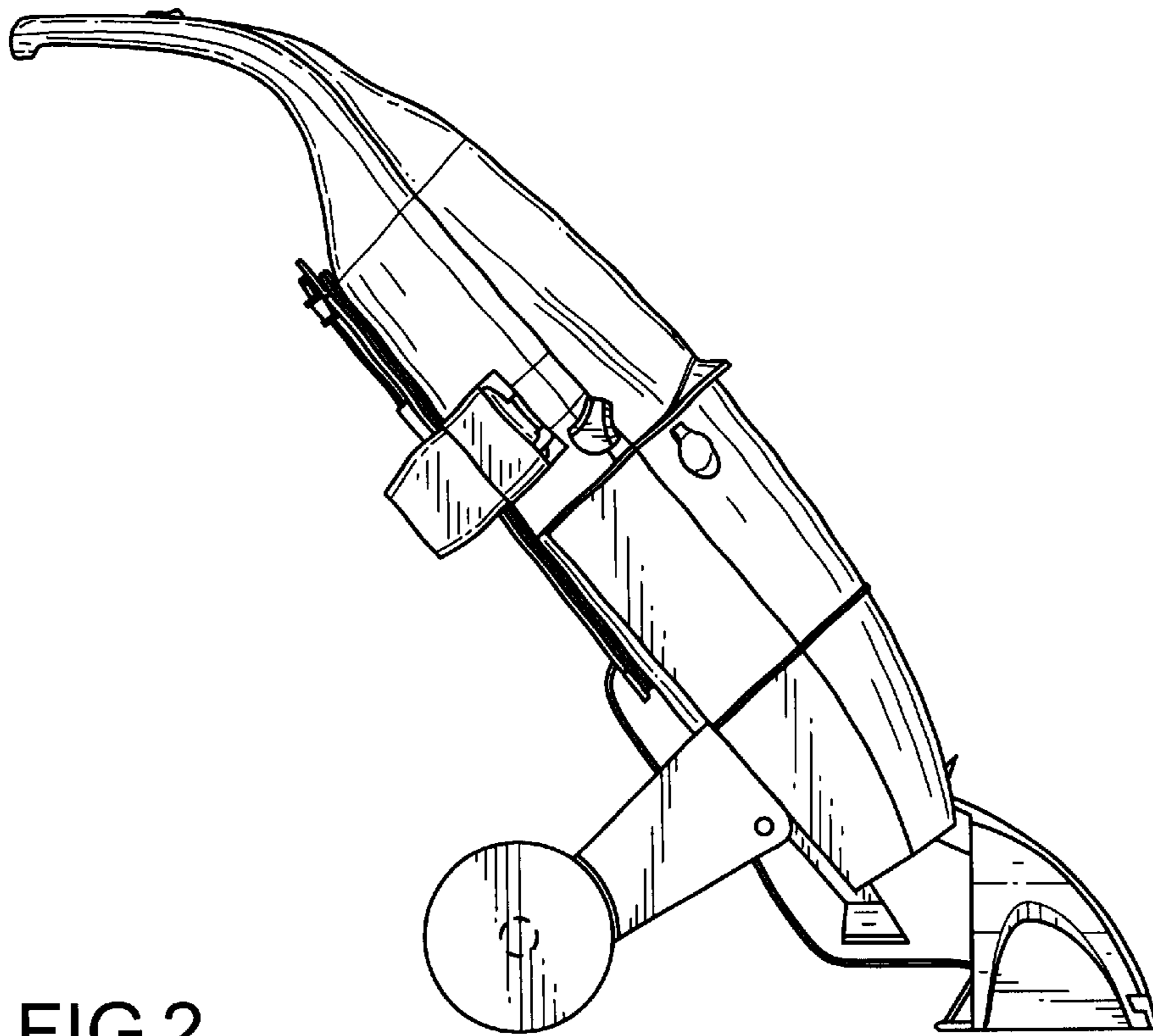


FIG. 2

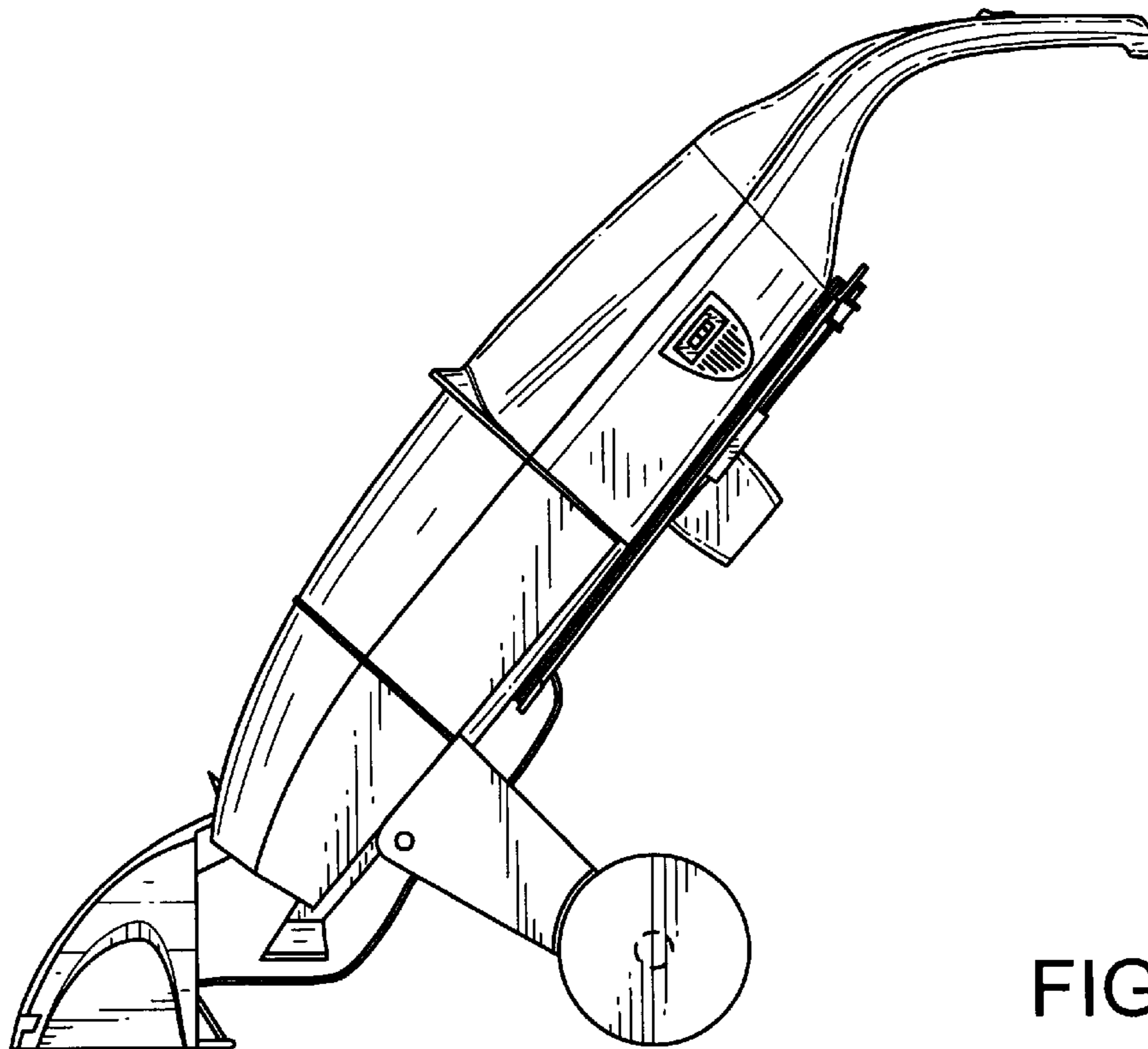


FIG. 3

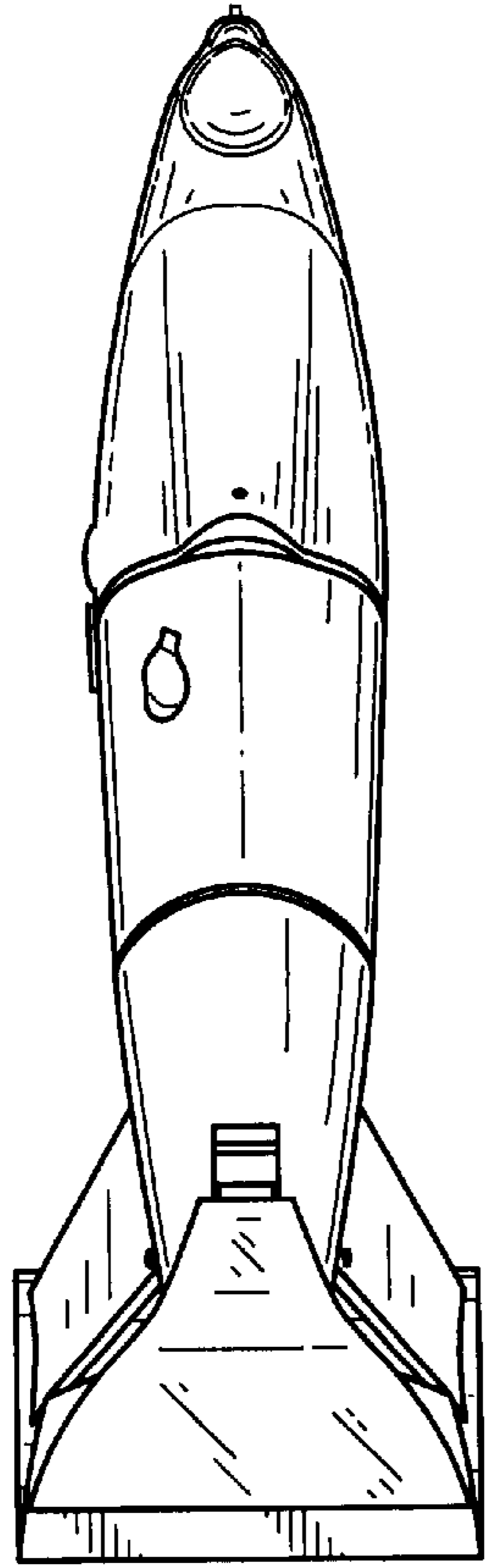


FIG.4

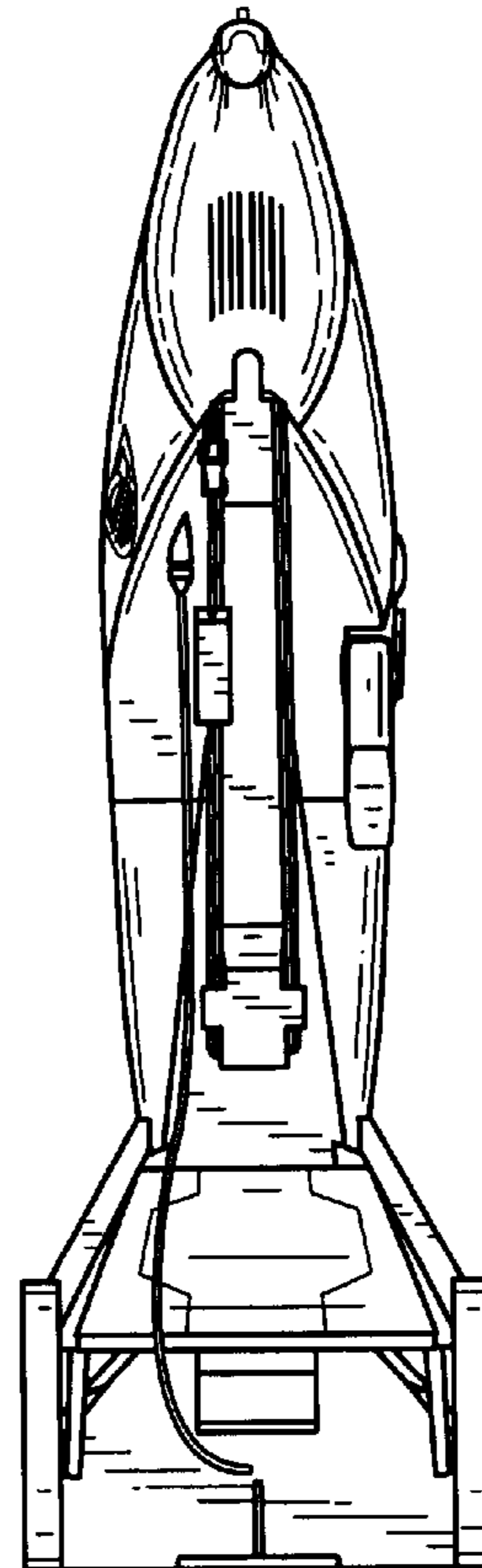


FIG.5

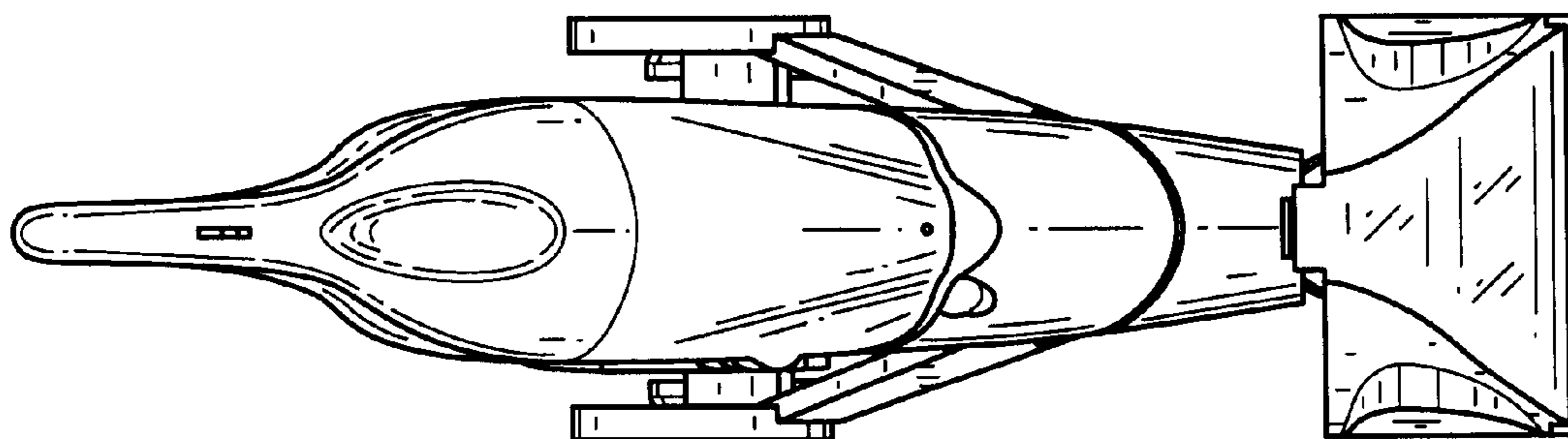


FIG. 6

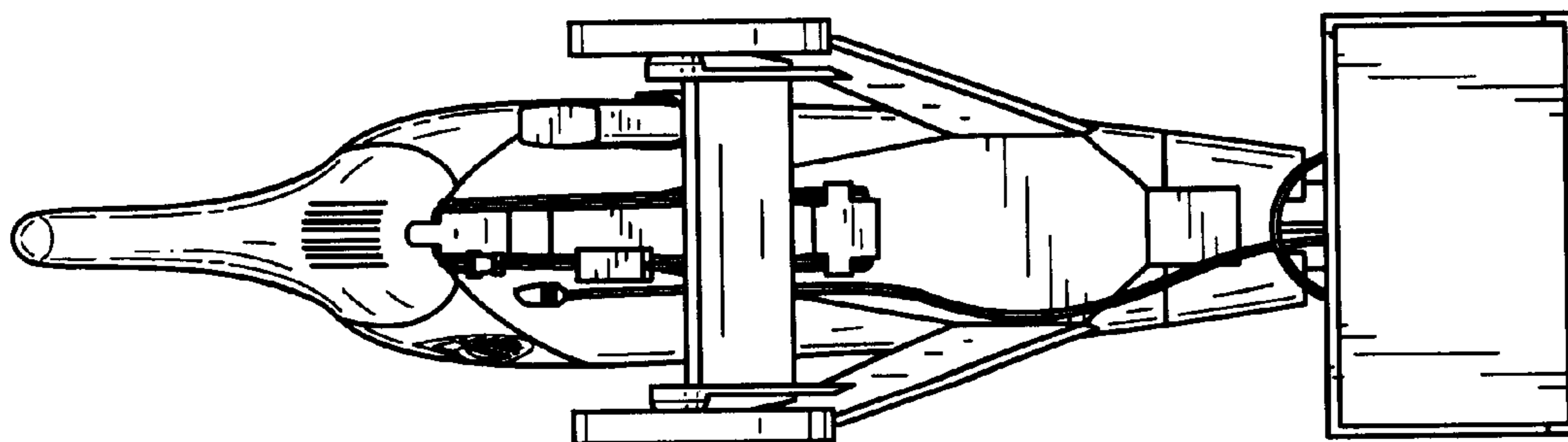


FIG. 7