



US00D519690S

(12) **United States Design Patent**  
**Förster et al.**

(10) **Patent No.:** **US D519,690 S**  
(45) **Date of Patent:** **\*\* Apr. 25, 2006**

(54) **VEHICLE WASHING MACHINE**

FOREIGN PATENT DOCUMENTS

(75) Inventors: **Heike Förster**, Sellgenstadt (DE);  
**Melitta Müller**, Offenbach (DE);  
**Georg Wimmer**, Affing (DE)

FR 2653399 \* 4/1991

\* cited by examiner

(73) Assignee: **Washtech Holding GmbH**, Augsburg (DE)

*Primary Examiner*—Robert A. Delehanty

(74) *Attorney, Agent, or Firm*—Martin Fleit; Paul D. Bianco; Fleit Kain Gibbons Gutman Bongini & Bianco, P.L.

(\*\*) Term: **14 Years**

(57) **CLAIM**

(21) Appl. No.: **29/211,974**

The ornamental design for a vehicle washing machine, as shown and described.

(22) Filed: **Aug. 24, 2004**

**DESCRIPTION**

(30) **Foreign Application Priority Data**

Feb. 24, 2004 (EM) ..... 000137062

(51) **LOC (8) Cl.** ..... **15-05**

(52) **U.S. Cl.** ..... **D32/4**

(58) **Field of Classification Search** ..... D32/4,  
D32/25; 15/97.3, 53.1, 53.2, 53.3, 316.1;  
134/45, 123, 56 R, 58 R; 248/637, 672

See application file for complete search history.

FIG. 1 is a front view of the vehicle washing machine showing the new design;

FIG. 2 is a top view of the vehicle washing machine shown in FIG. 1;

FIG. 3 is a rear view of the vehicle washing machine shown in FIG. 1;

FIG. 4 is a left side view of the vehicle washing machine shown in FIG. 1, the right side view being a mirror image of the left side; and,

FIG. 5 is a perspective view of the vehicle washing machine shown in FIGS. 1-4.

The bottom surfaces of the vehicle washing machine shown in FIG. 1 are flat and are not illustrated.

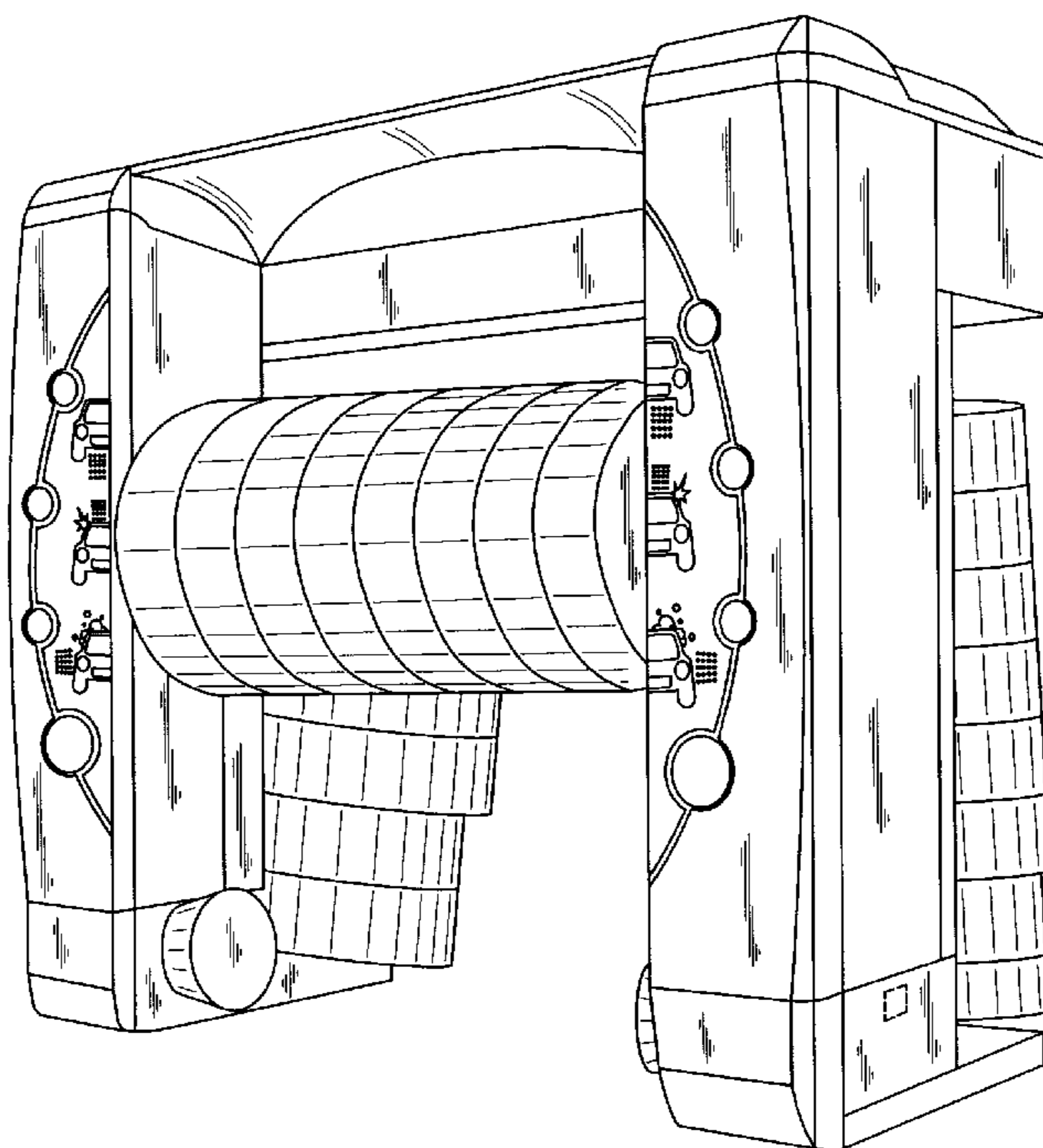
The broken line showing of portions of the vehicle washing machine is for illustrative purposes only and forms no part of the claimed design.

(56) **References Cited**

U.S. PATENT DOCUMENTS

D185,397 S \* 6/1959 Thompson ..... D32/4  
2,987,067 A \* 6/1961 Vani et al. .... 134/123  
3,570,042 A \* 3/1971 Solomon ..... 15/316.1  
6,463,617 B1 \* 10/2002 Decker ..... 15/53.3  
6,863,739 B1 \* 3/2005 Fratello et al. .... 134/123

**1 Claim, 5 Drawing Sheets**



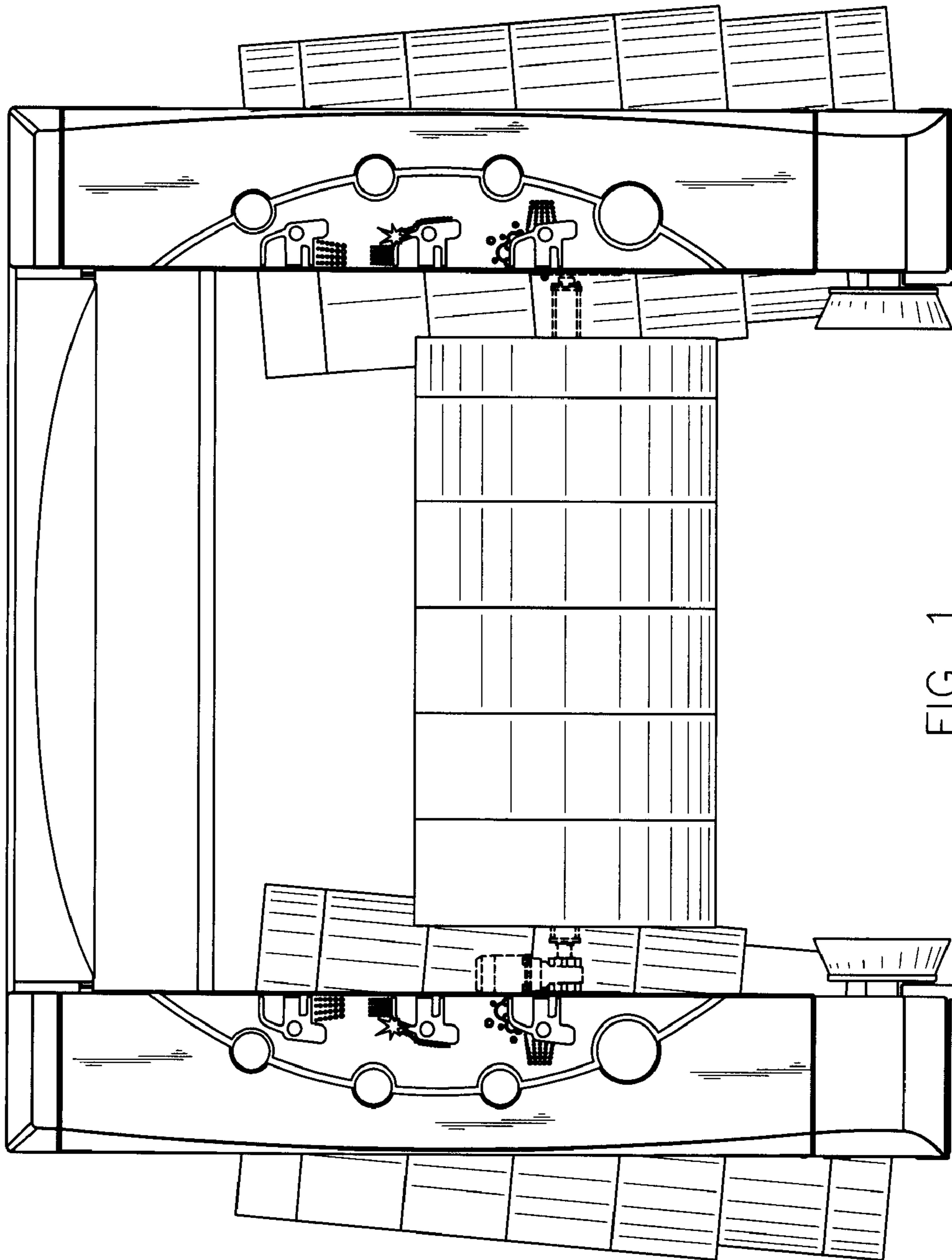


FIG. 1

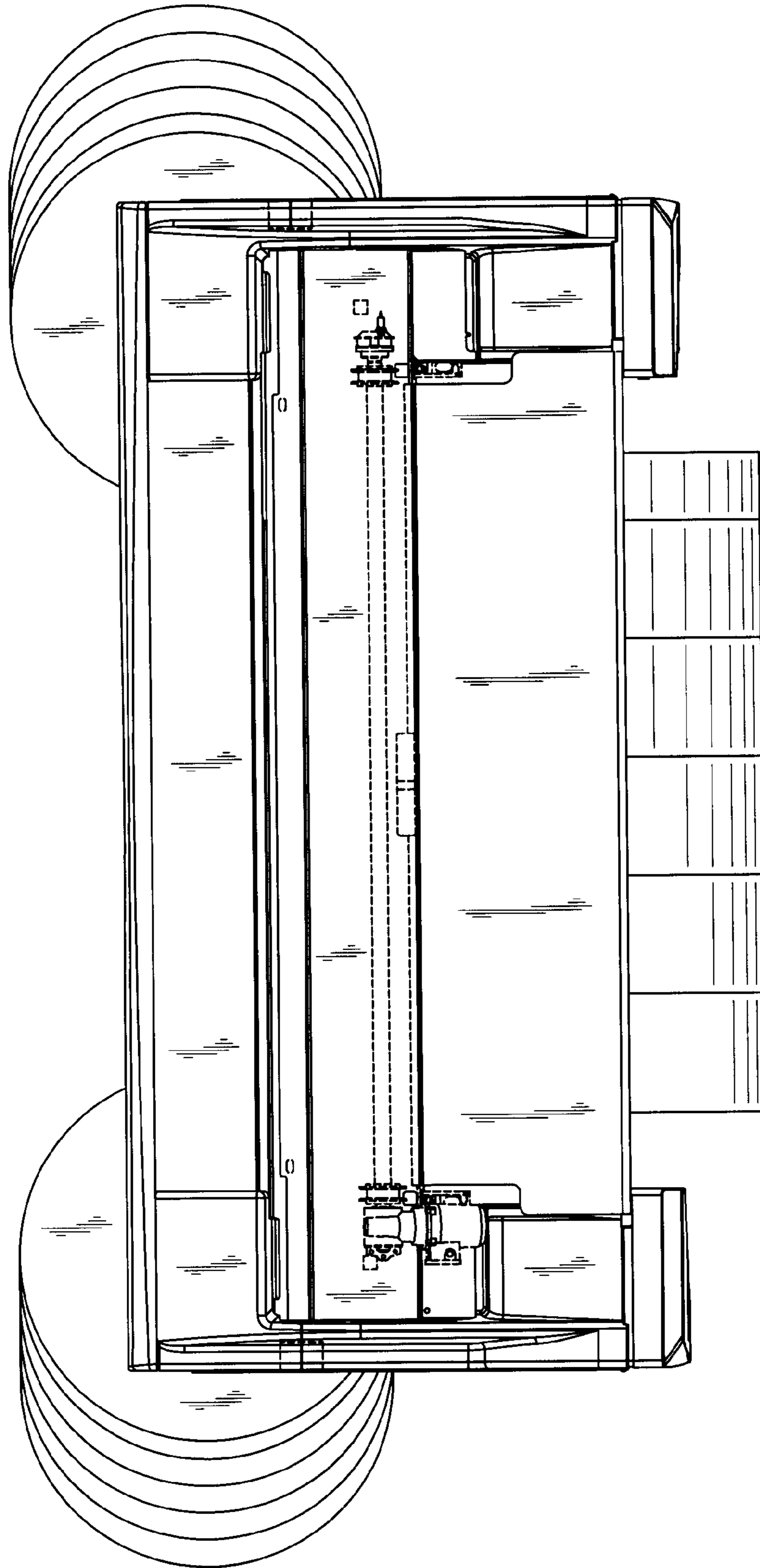


FIG. 2

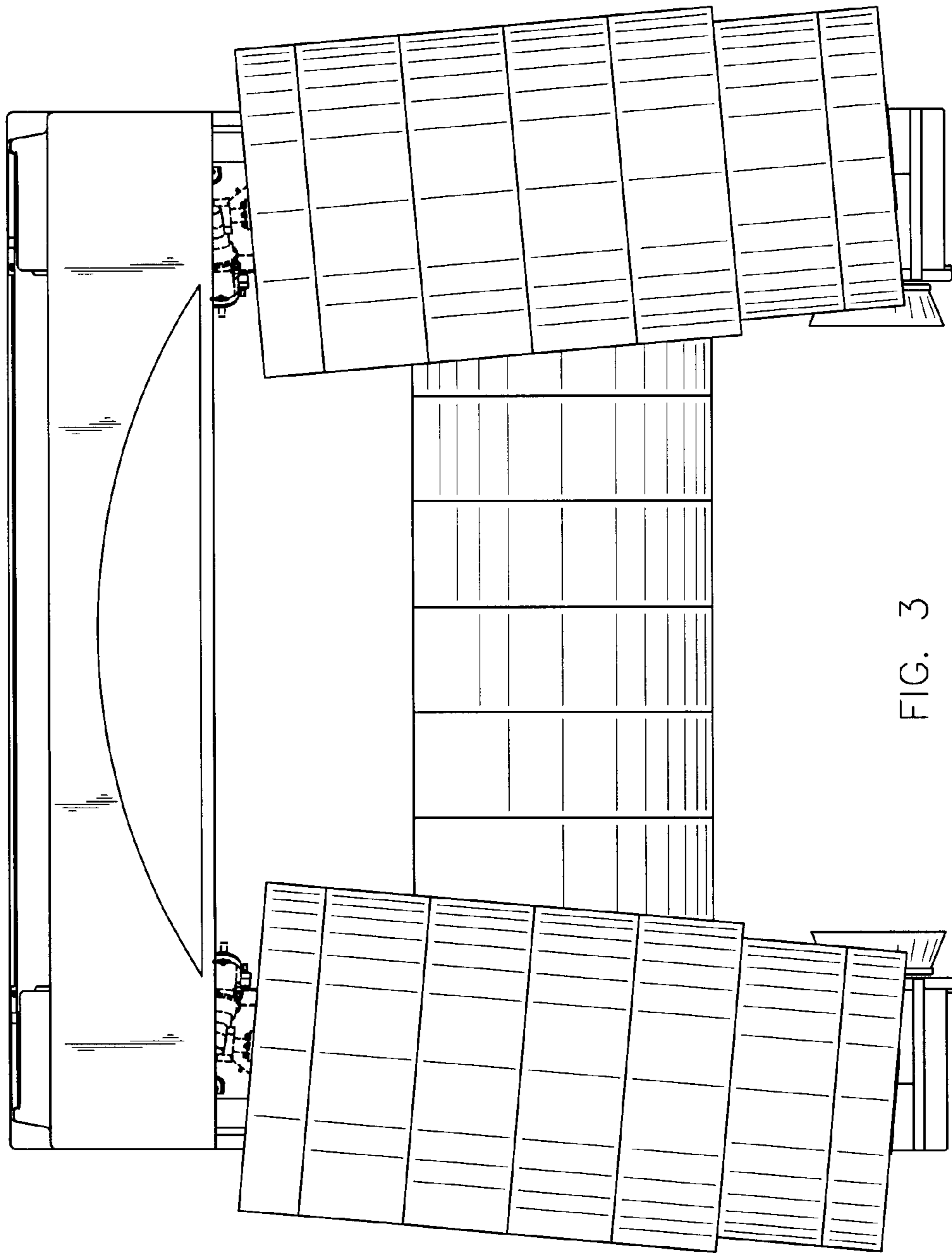


FIG. 3

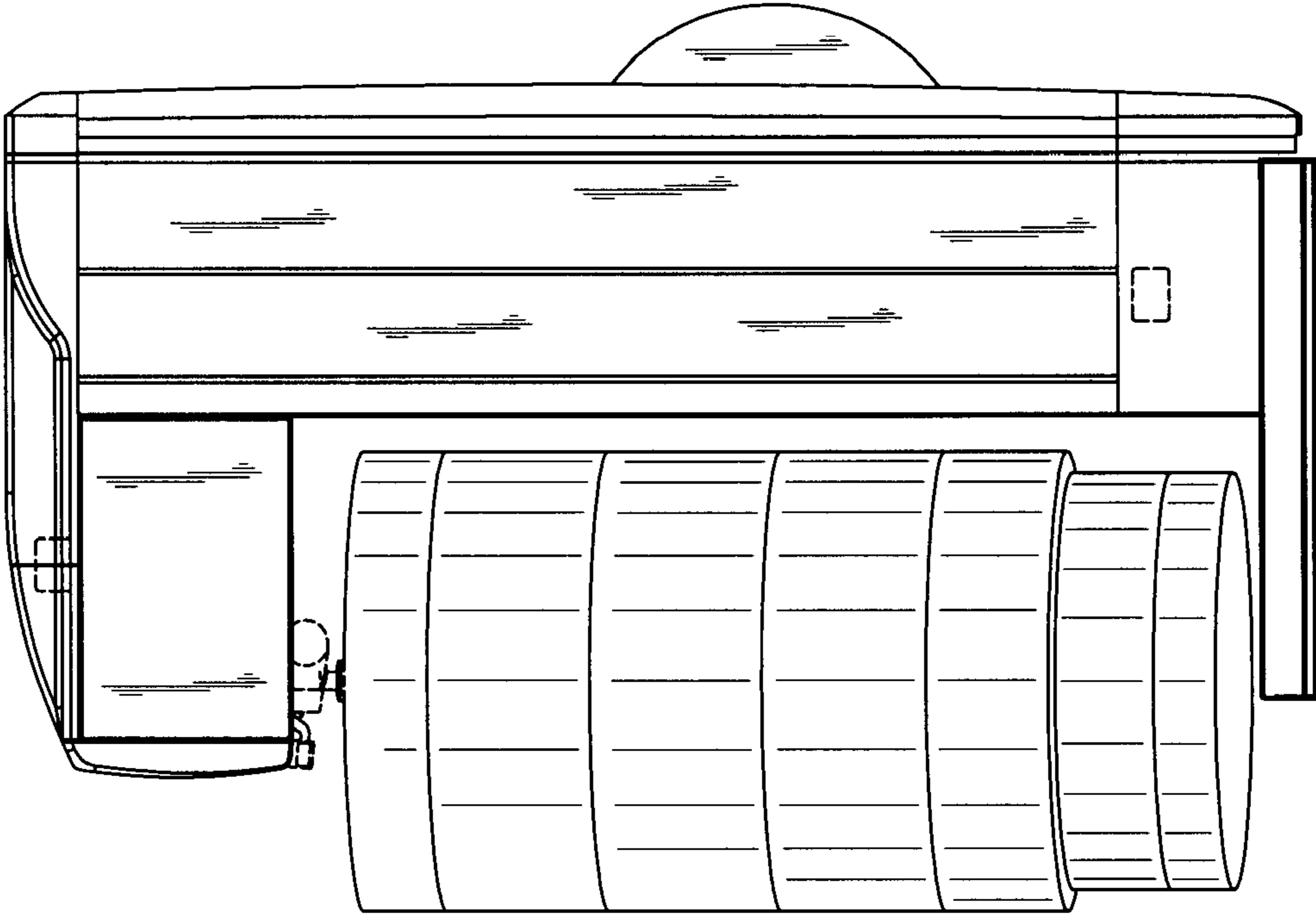


FIG. 4

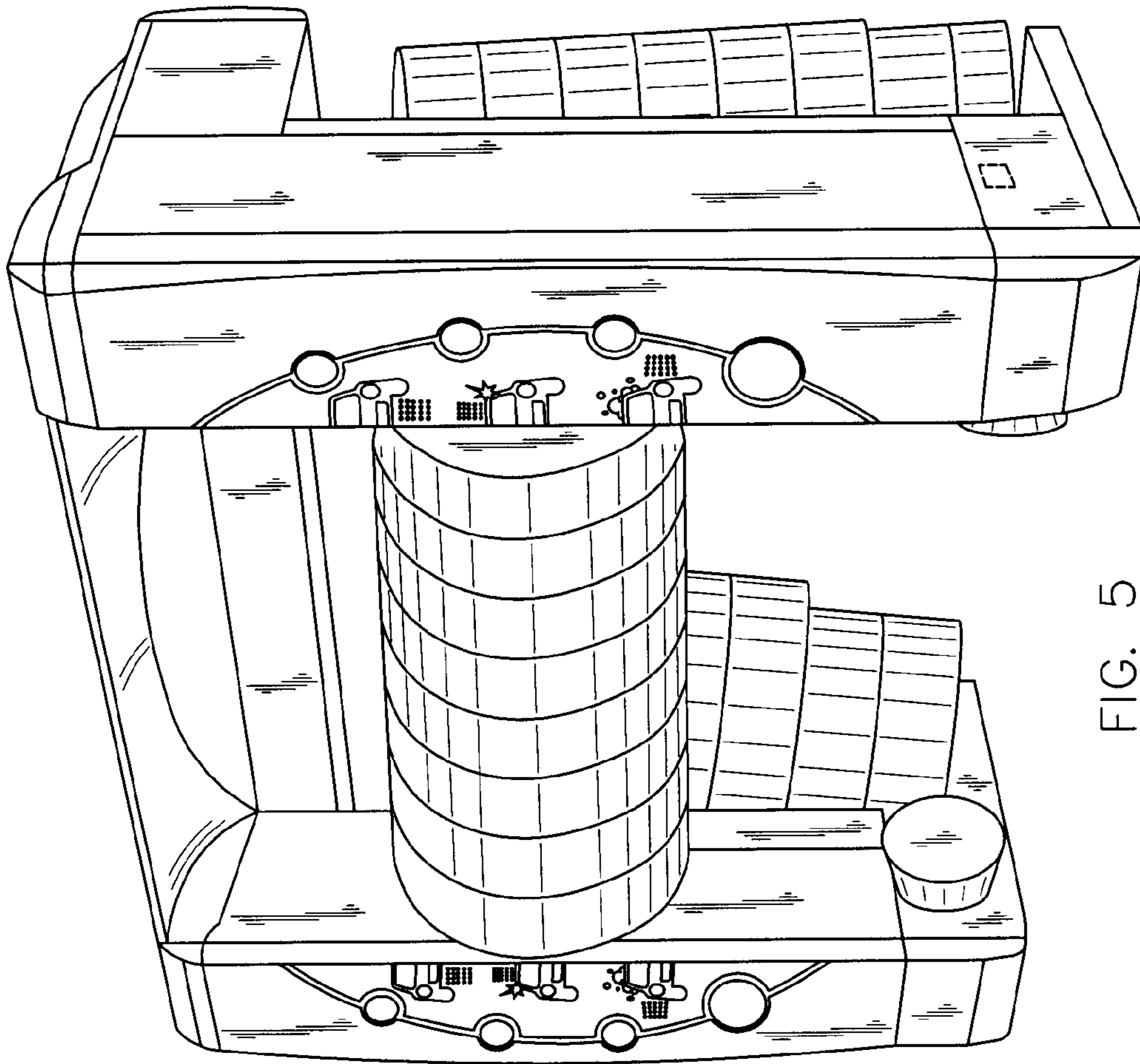


FIG. 5