



US00D519689S

(12) **United States Design Patent**
Ott et al.

(10) **Patent No.:** **US D519,689 S**

(45) **Date of Patent:** **** *Apr. 25, 2006**

(54) **DISHWASHER**

D474,865 S * 5/2003 Chen D32/1
D495,451 S * 8/2004 Ott et al. D32/3
D495,452 S * 8/2004 Ott et al. D32/3

(75) Inventors: **Thomas Ott**, Gundelfingen (DE);
Roland Vetter, Giengen-Sachsenhausen
(DE)

OTHER PUBLICATIONS

U.S. Appl. No. 29/182,518, filed May 2003, Ott et al.*

(73) Assignee: **BSH Bosch und Siemens Hausgeraete GmbH**, Munich (DE)

* cited by examiner

(*) Notice: This patent is subject to a terminal disclaimer.

Primary Examiner—Louis S. Zarfes

Assistant Examiner—John Windmuller

(**) Term: **14 Years**

(74) *Attorney, Agent, or Firm*—John T. Winburn; Russell W. Warnock; Craig J. Loest

(21) Appl. No.: **29/182,519**

(57) **CLAIM**

(22) Filed: **May 28, 2003**

The ornamental design for a dishwasher, as shown and described.

(51) **LOC (8) Cl.** **15-05**

DESCRIPTION

(52) **U.S. Cl.** **D32/3**

(58) **Field of Classification Search** D32/1-3,
D32/5, 6, 8, 25, 28; D7/340, 405, 348-351;
68/212; 312/31, 228, 228.1, 204; 134/113,
134/201, 57 D, 57 DL, 56 D, 58 D, 58 DL
See application file for complete search history.

FIG. 1 is a front perspective view of the dishwasher;
FIG. 2 is a left side view thereof, the right side view being
a mirror image thereof;
FIG. 3 is a front side view thereof; and,
FIG. 4 is a top side view thereof.

The dishwasher includes a plain and unornamented rear and
bottom, which are not shown.

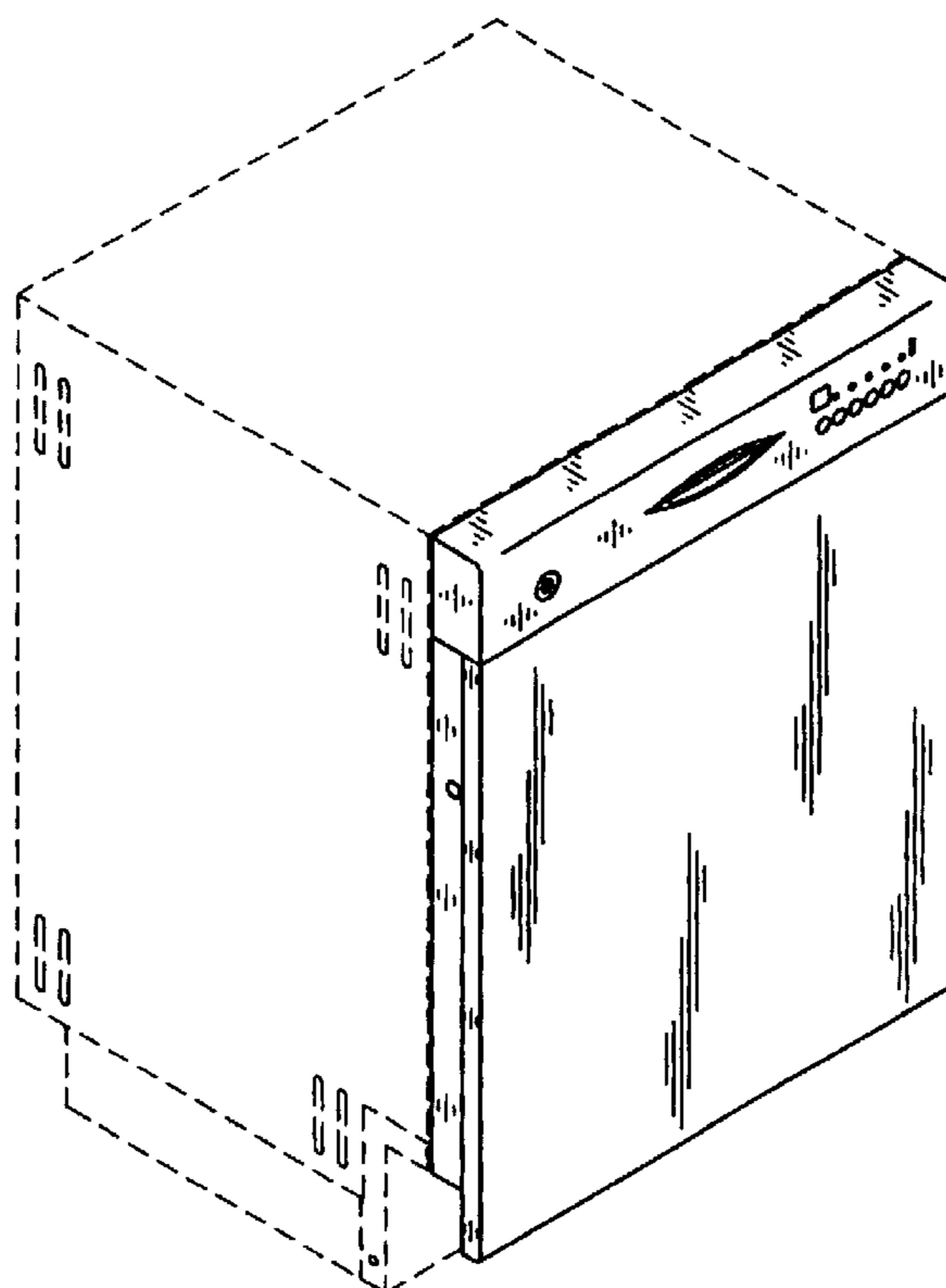
The broken line showing of portions of the dishwasher is for
illustrative purposes only and forms no part of the claimed
design.

(56) **References Cited**

U.S. PATENT DOCUMENTS

D418,952 S * 1/2000 Roberts D32/3
D443,735 S * 6/2001 Jeong D32/2
D467,691 S * 12/2002 Richardson D32/2

1 Claim, 2 Drawing Sheets



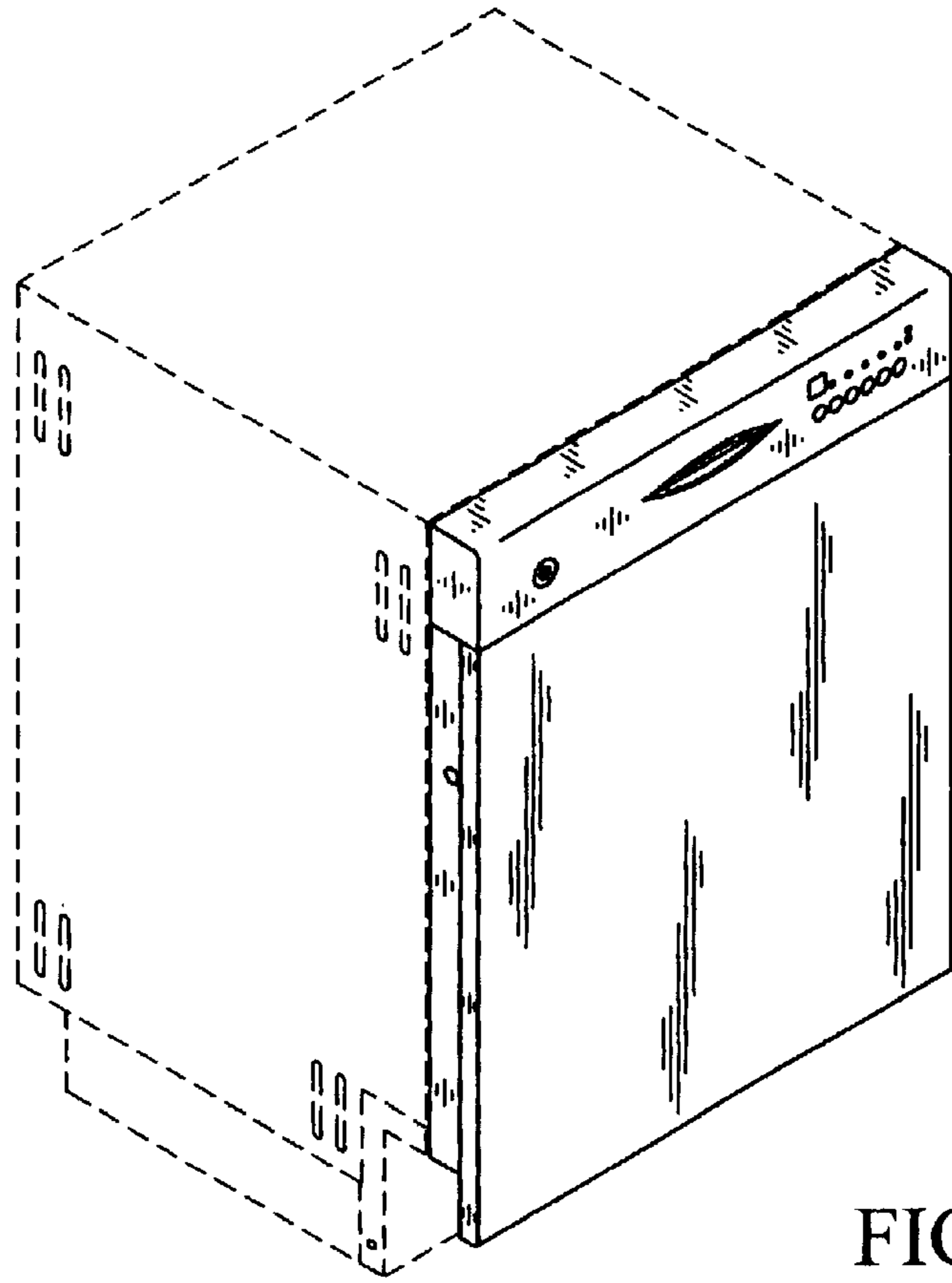


FIG. 1

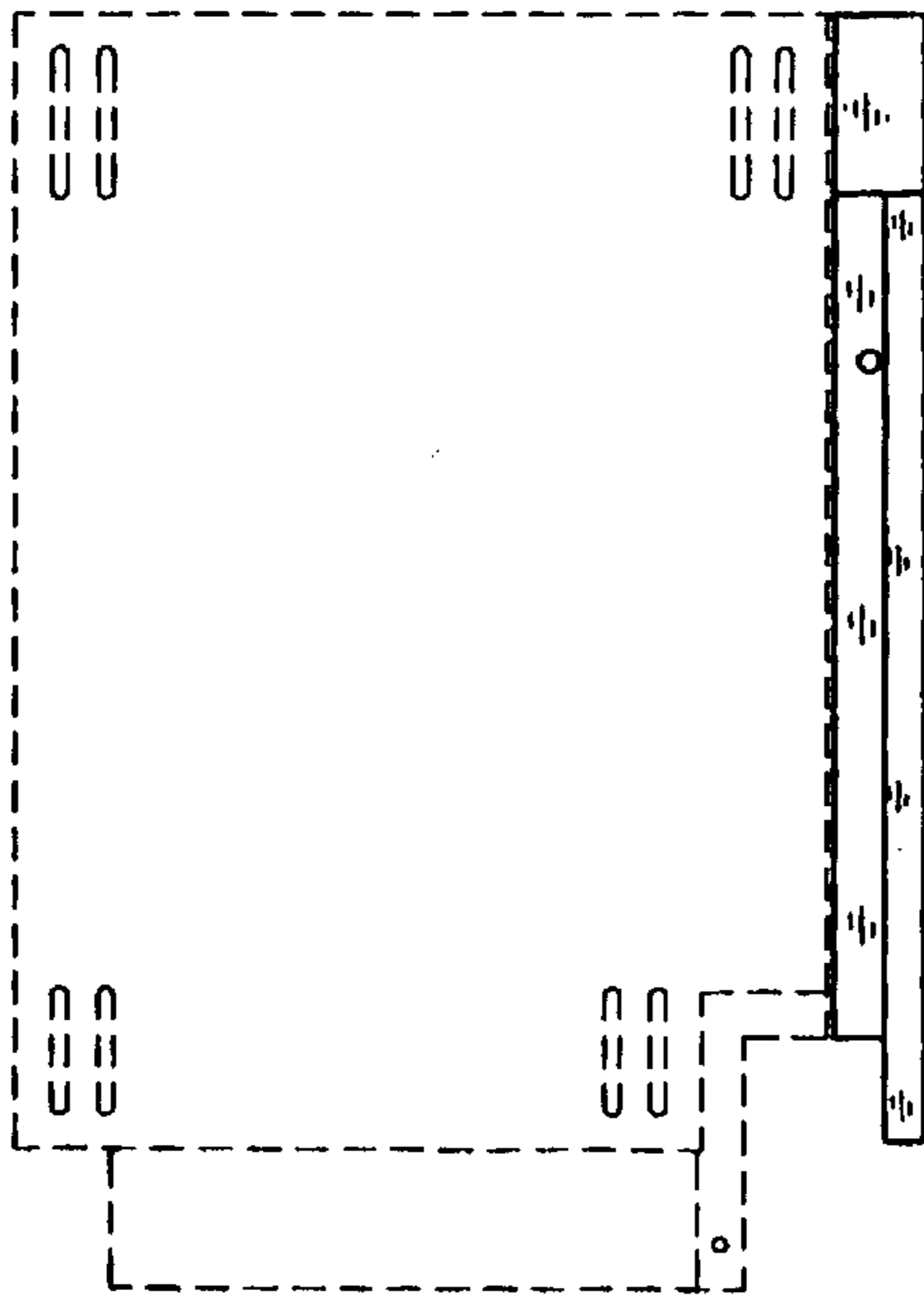


FIG. 2

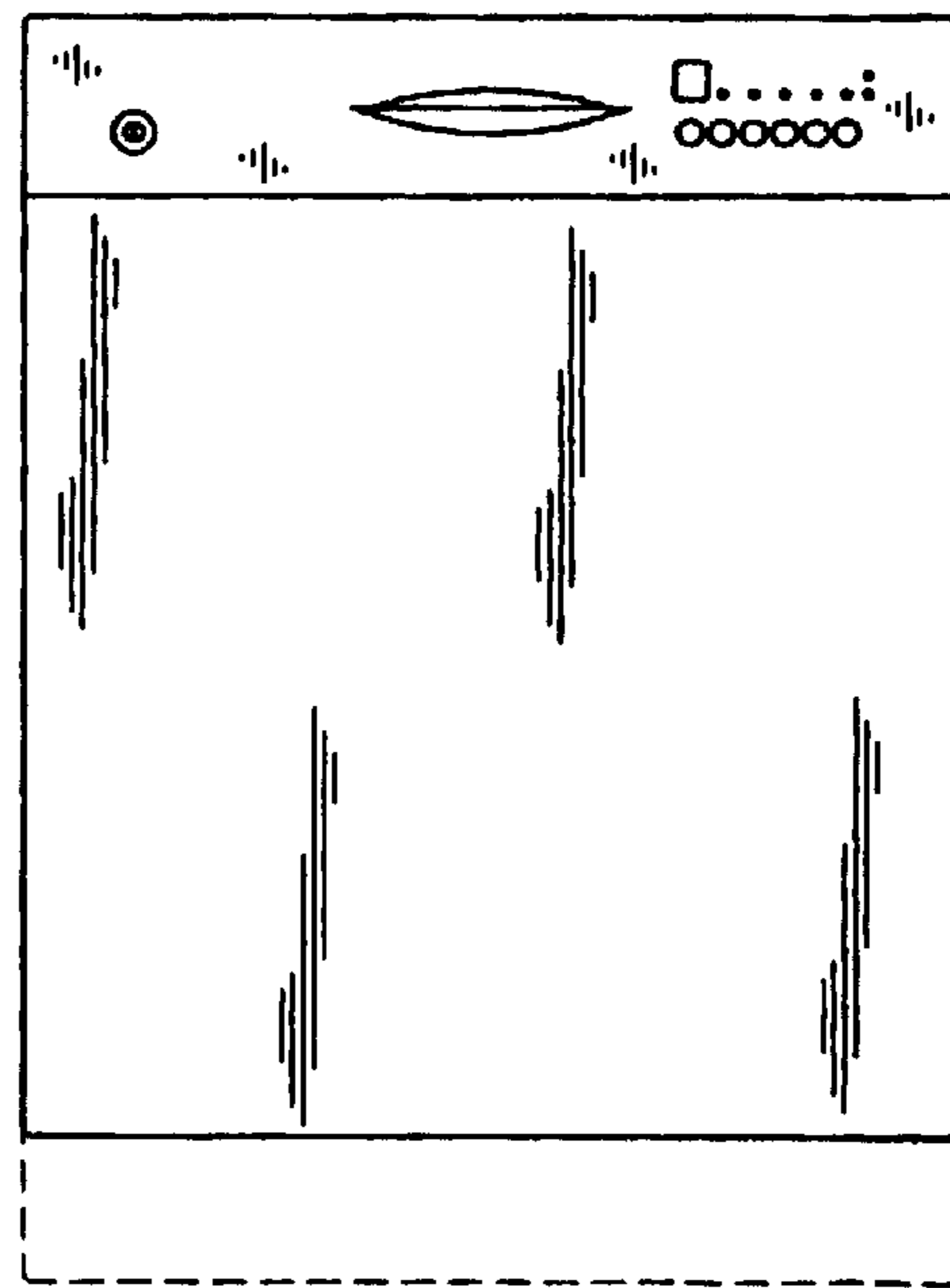


FIG. 3

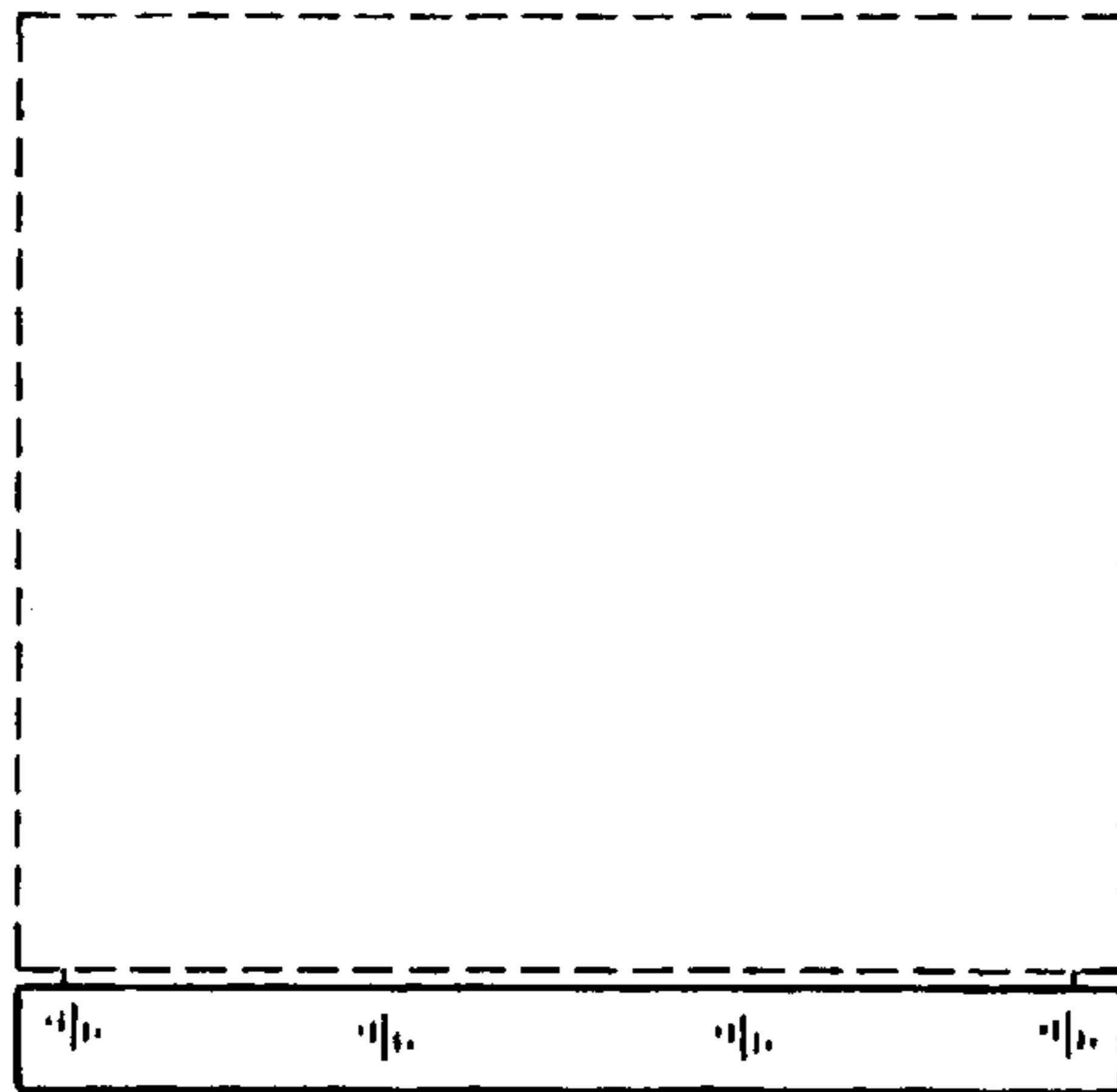


FIG. 4