



US00D519688S

(12) **United States Design Patent**
Garske

(10) **Patent No.:** **US D519,688 S**

(45) **Date of Patent:** **** Apr. 25, 2006**

(54) **BALL WASHER ENCLOSURE**

(75) Inventor: **Stephen J. Garske**, Little Canada, MN
(US)

(73) Assignee: **Par Aide Products Co.**, St. Paul, MN
(US)

(**) Term: **14 Years**

(21) Appl. No.: **29/208,596**

(22) Filed: **Jun. 30, 2004**

(51) **LOC (8) Cl.** **15-05**

(52) **U.S. Cl.** **D32/1**

(58) **Field of Classification Search** D32/1,
D32/25, 40, 43, 45; 15/320, 21.2, 86.3, 97.1,
15/160, 104.92; 206/21.1, 315.1, 315.9; D21/789,
D21/795, 796

See application file for complete search history.

(56) **References Cited**

U.S. PATENT DOCUMENTS

- D228,395 S * 9/1973 Warren D21/795
- 4,473,917 A * 10/1984 Britton 15/104.94
- 4,944,063 A * 7/1990 Jordan 15/104.92
- D348,125 S * 6/1994 Emmerson et al. D32/1
- D360,715 S * 7/1995 Weimer et al. D32/1
- D372,755 S * 8/1996 Nardi D21/795

- 5,555,586 A * 9/1996 Dorrich et al. 15/21.2
- 5,822,820 A * 10/1998 Heisler 15/21.2
- D449,666 S * 10/2001 McGee D21/789
- D503,764 S * 4/2005 Morse et al. D21/795

* cited by examiner

Primary Examiner—Louis S. Zarfaz

Assistant Examiner—Kathleen Sims

(74) *Attorney, Agent, or Firm*—Schwegman, Lundberg,
Woessner & Kluth, P.A.

(57) **CLAIM**

The ornamental design for a ball washer enclosure, as shown and described.

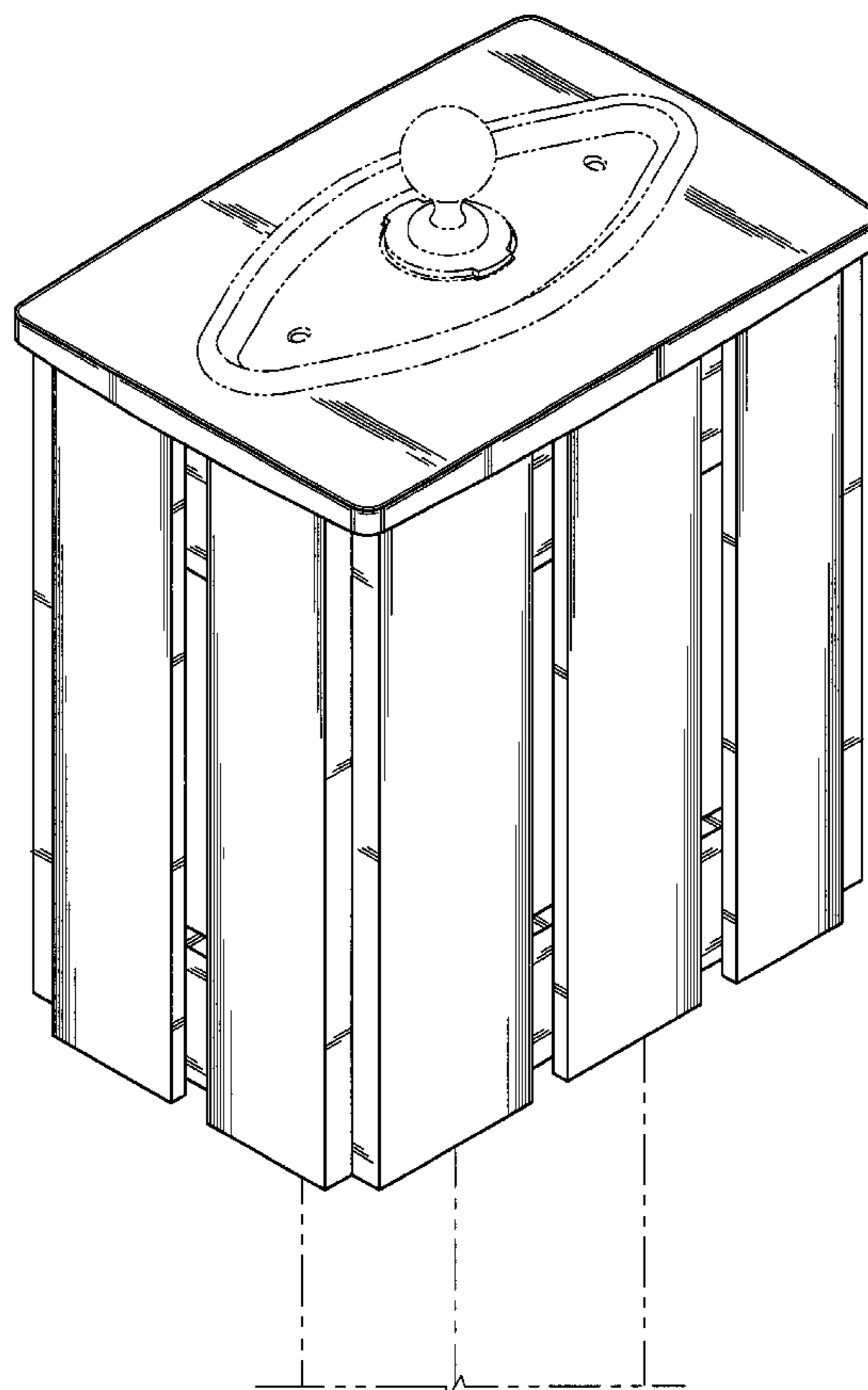
DESCRIPTION

FIG. 1 is a perspective view of a ball washer enclosure, incorporating the new design;

FIG. 2 is a front view of the ball washer enclosure of FIG. 1, with the back view being a mirror image of the front view; FIG. 3 is a right side view of the ball washer enclosure of FIG. 1, with the left side view being a mirror image of the right side view; and,

FIG. 4 is a top view of the ball washer enclosure of FIG. 1. The broken line showing of the ball washer enclosure is for illustrative purposes only and forms no part of the claimed design.

1 Claim, 4 Drawing Sheets



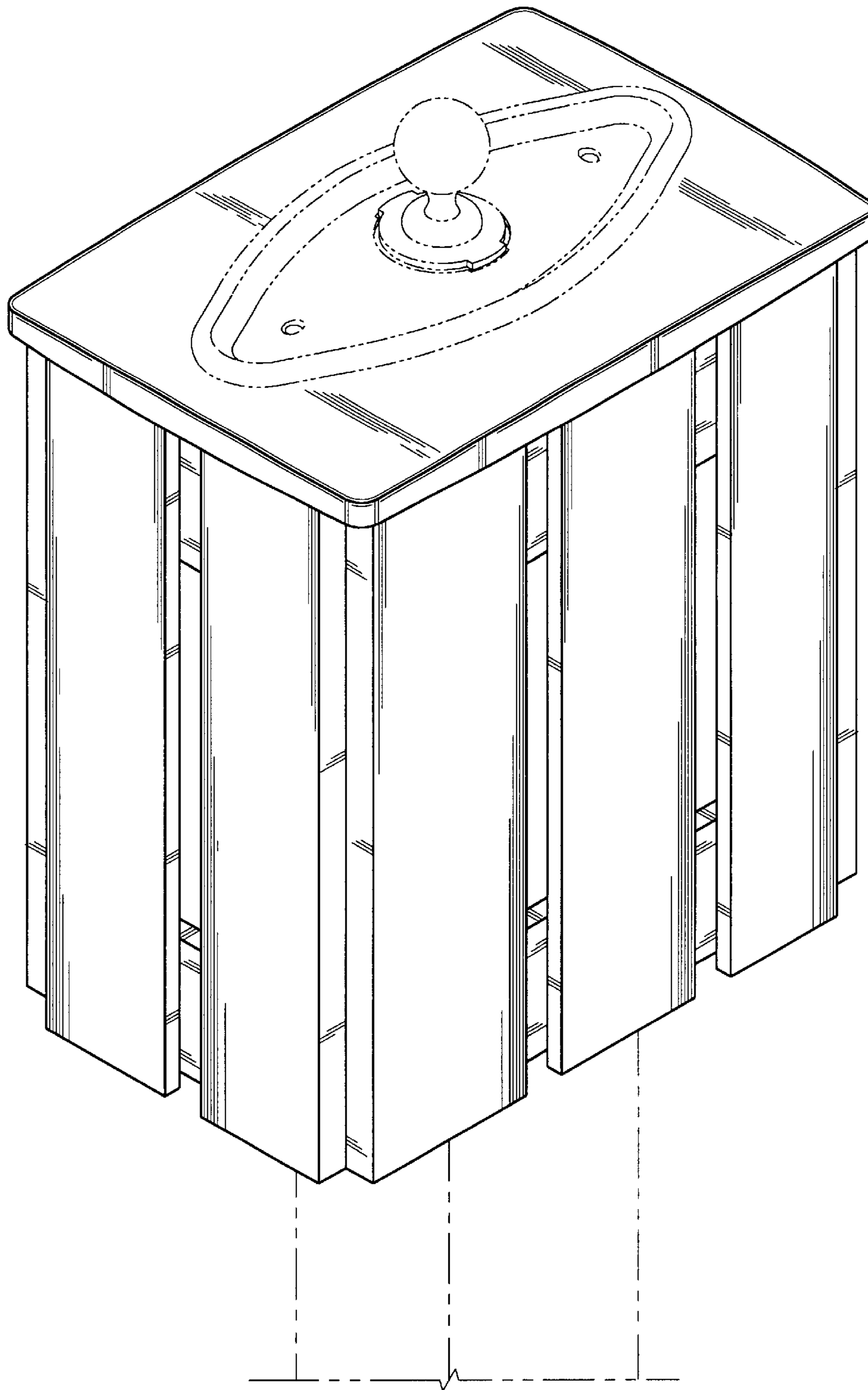


FIG. 1

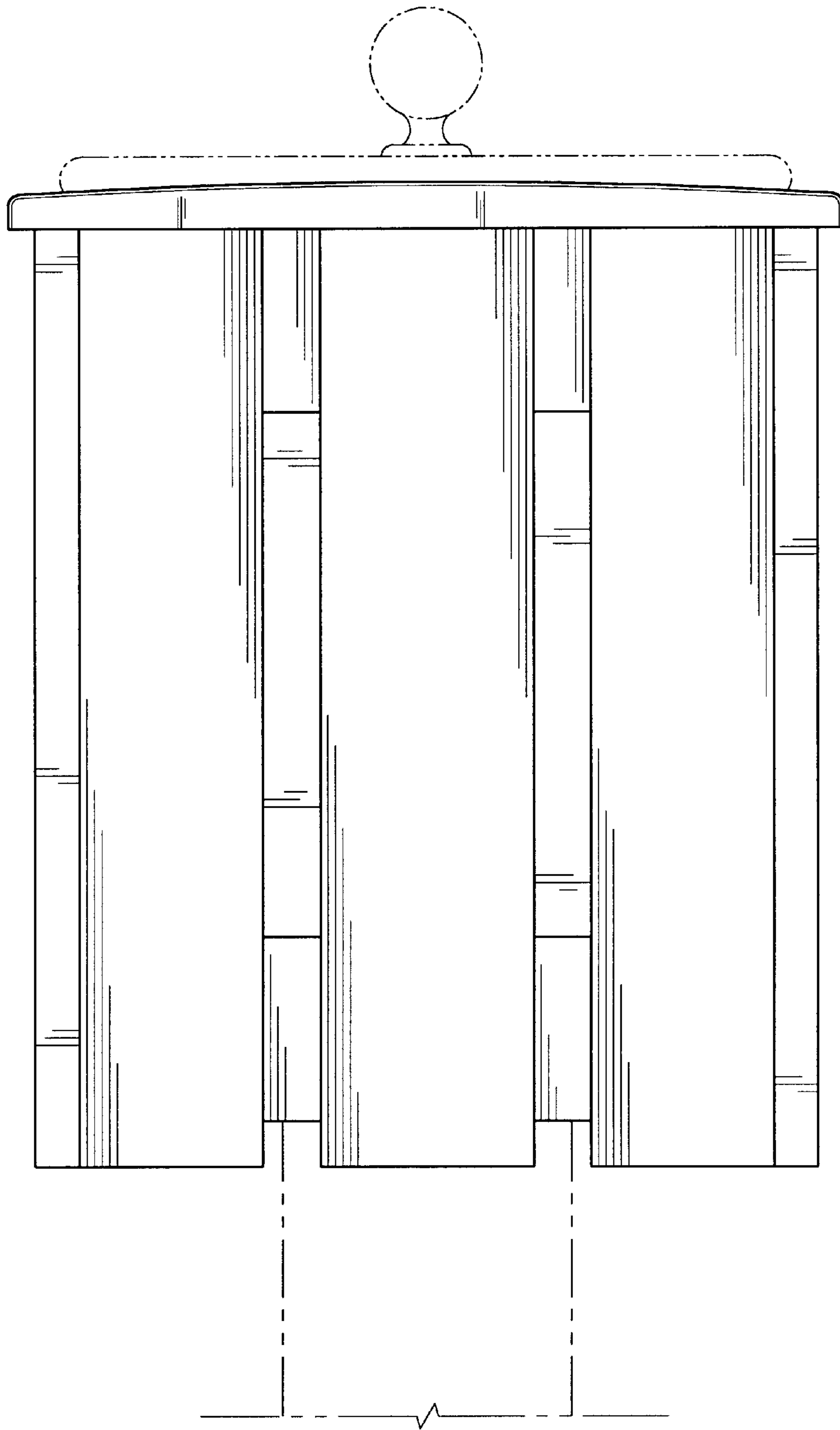


FIG.2

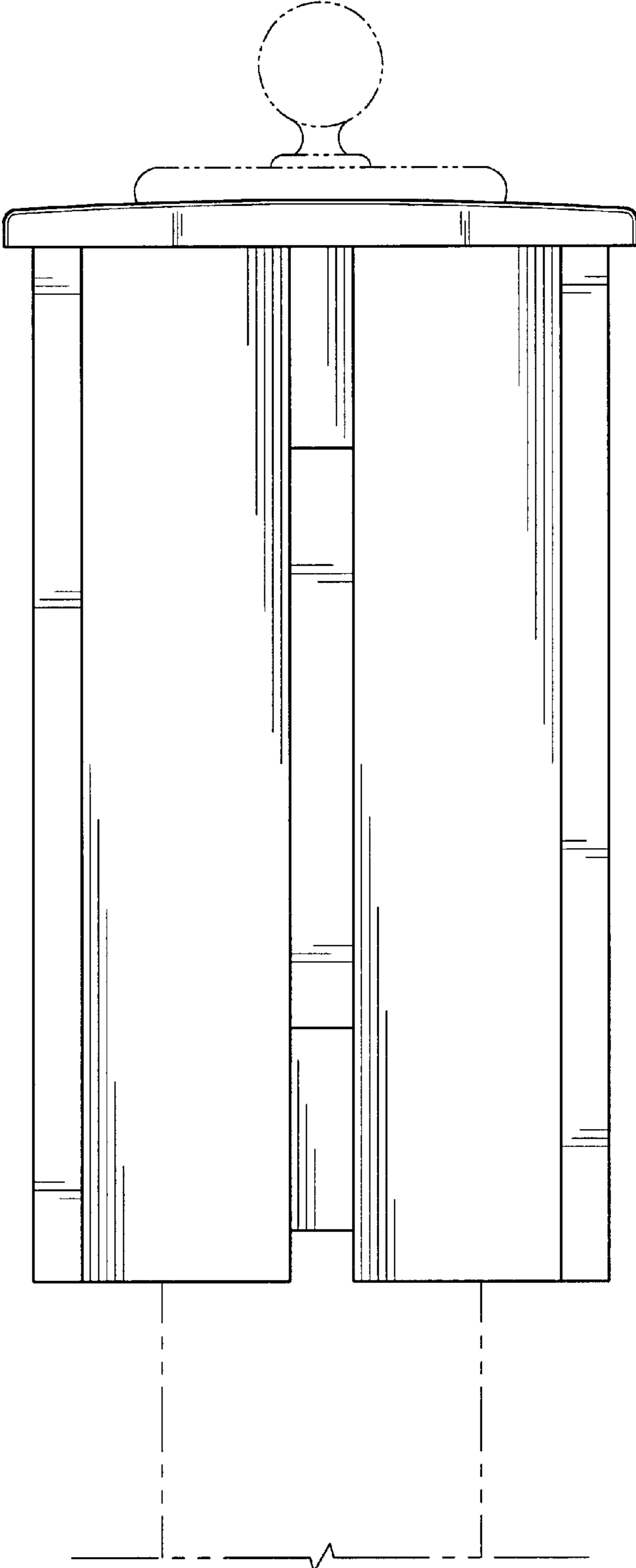


FIG.3

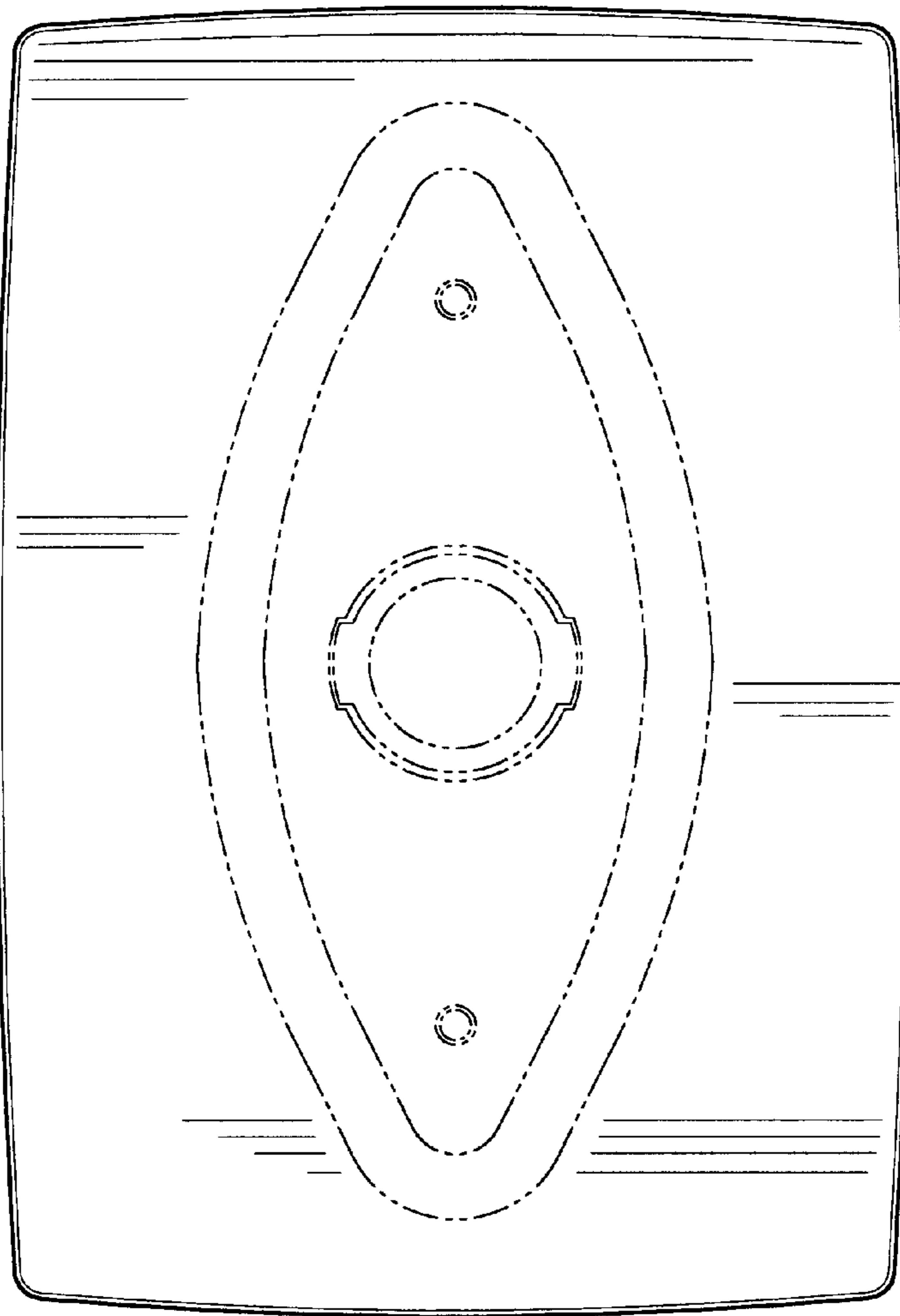


FIG. 4