



US00D519687S

(12) **United States Design Patent**  
**Zahav**

(10) **Patent No.:** **US D519,687 S**

(45) **Date of Patent:** **\*\* Apr. 25, 2006**

(54) **CLIP FOR PACKAGING AND/OR MARKING  
POULTRY AND/OR MEAT PRODUCTS**

(76) **Inventor:** **Ya'acov Meshi Zahav**, 5 Shodikar  
Street, Jerusalem (IL), 07406

(\*\*) **Term:** **14 Years**

(21) **Appl. No.:** **29/209,587**

(22) **Filed:** **Jul. 16, 2004**

(51) **LOC (8) Cl.** ..... **30-08**

(52) **U.S. Cl.** ..... **D30/155; D20/22**

(58) **Field of Classification Search** ..... D30/155;  
D20/10, 18, 19, 22, 42, 43, 99; 40/300, 301,  
40/302; 119/655, 858; 606/117

See application file for complete search history.

(56) **References Cited**

**U.S. PATENT DOCUMENTS**

4,606,478	A	*	8/1986	Hack et al.	.....	222/187
4,748,757	A	*	6/1988	Howe	.....	40/301
D297,058	S	*	8/1988	Gardner	.....	D30/155
D299,151	S	*	12/1988	Rietmann	.....	D20/27
5,189,986	A	*	3/1993	Burkoth	.....	604/304
D348,627	S	*	7/1994	Kaufman	.....	D11/43
D357,694	S	*	4/1995	Kirkpatrick	.....	D16/135

D370,938	S	*	6/1996	Roach	.....	D20/10
D390,275	S	*	2/1998	Wolff	.....	D20/22
D418,930	S	*	1/2000	De Leon	.....	D26/31
6,245,980	B1	*	6/2001	May	.....	84/422.3
D494,627	S	*	8/2004	Misumi	.....	D20/22

\* cited by examiner

*Primary Examiner*—Robert M. Spear

(74) *Attorney, Agent, or Firm*—Lewis Brisbois Bisgaard &  
Smith LLP

(57) **CLAIM**

The ornamental design for a clip for packaging and/or marking poultry and/or meat products, as shown and described.

**DESCRIPTION**

The article embodying the design is a clip for packaging and/or marking poultry and/or meat products.

FIG. 1 is a perspective view of the invention.

FIG. 2 is a side view of the invention.

FIG. 3 is a front view of the invention.

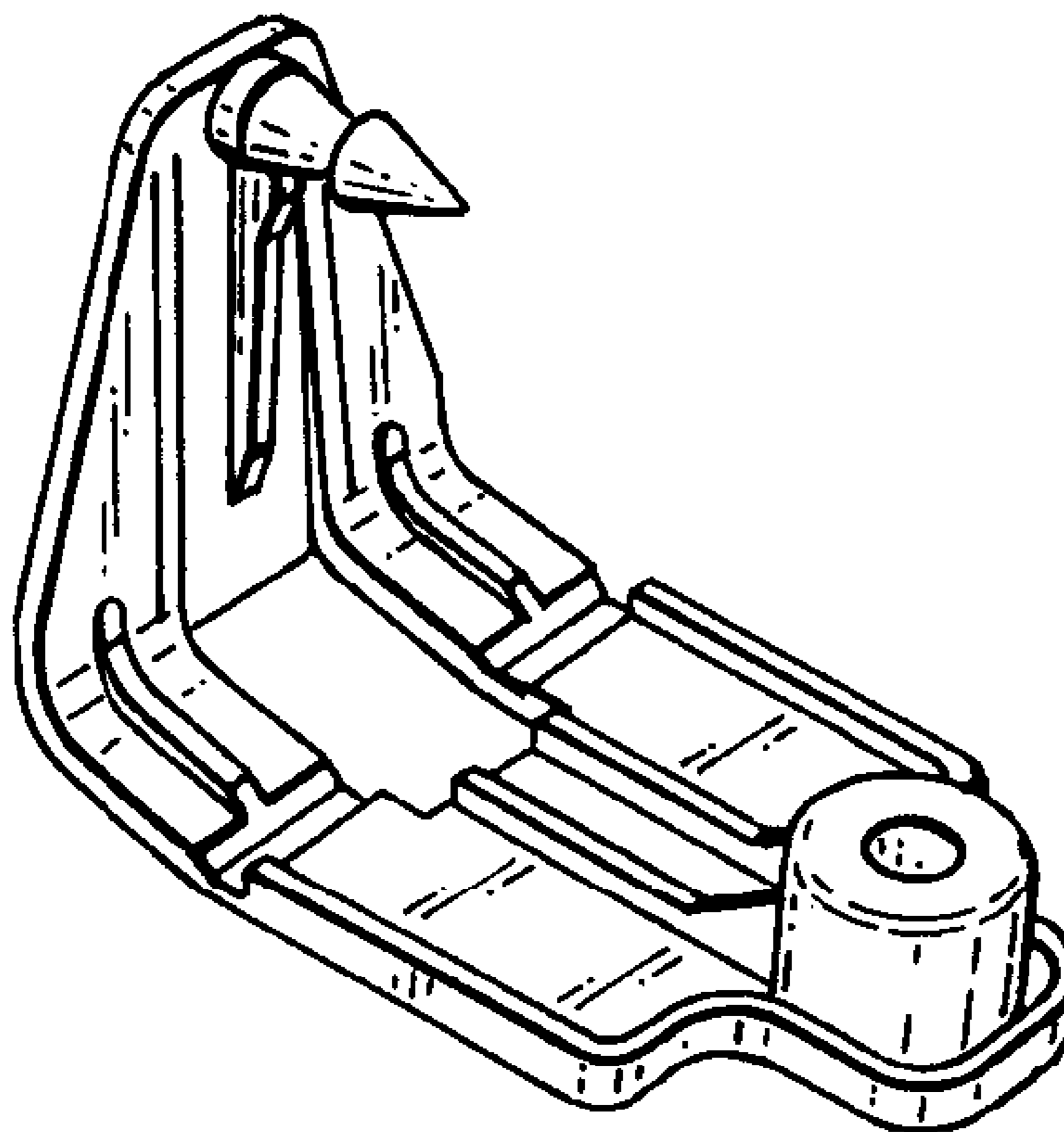
FIG. 4 is a top view of the invention.

FIG. 5 is a rear view of the invention.

FIG. 6 is a bottom view of the invention; and,

FIG. 7 is a side view when the clip is closed.

**1 Claim, 1 Drawing Sheet**



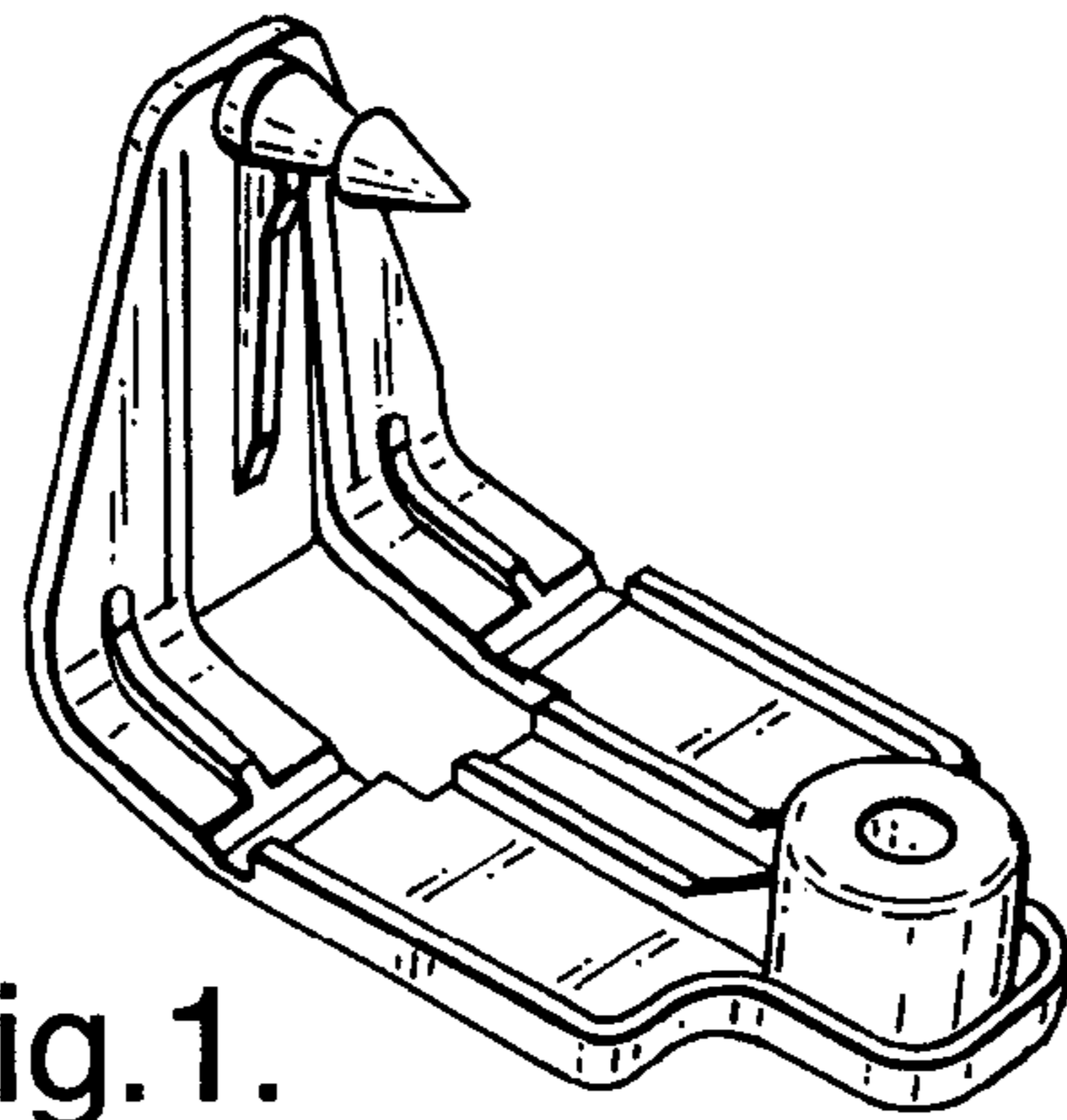


Fig. 1.

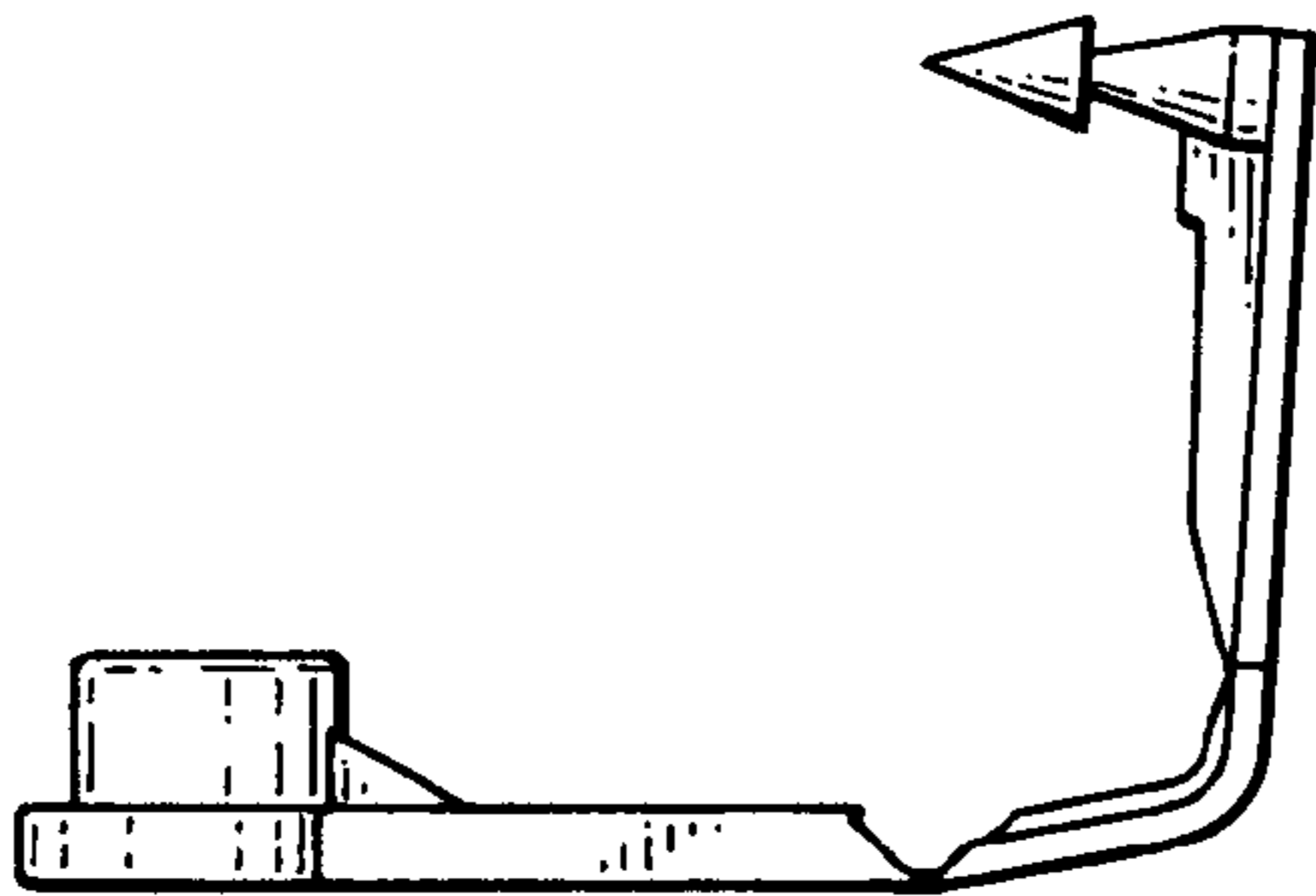


Fig. 2.

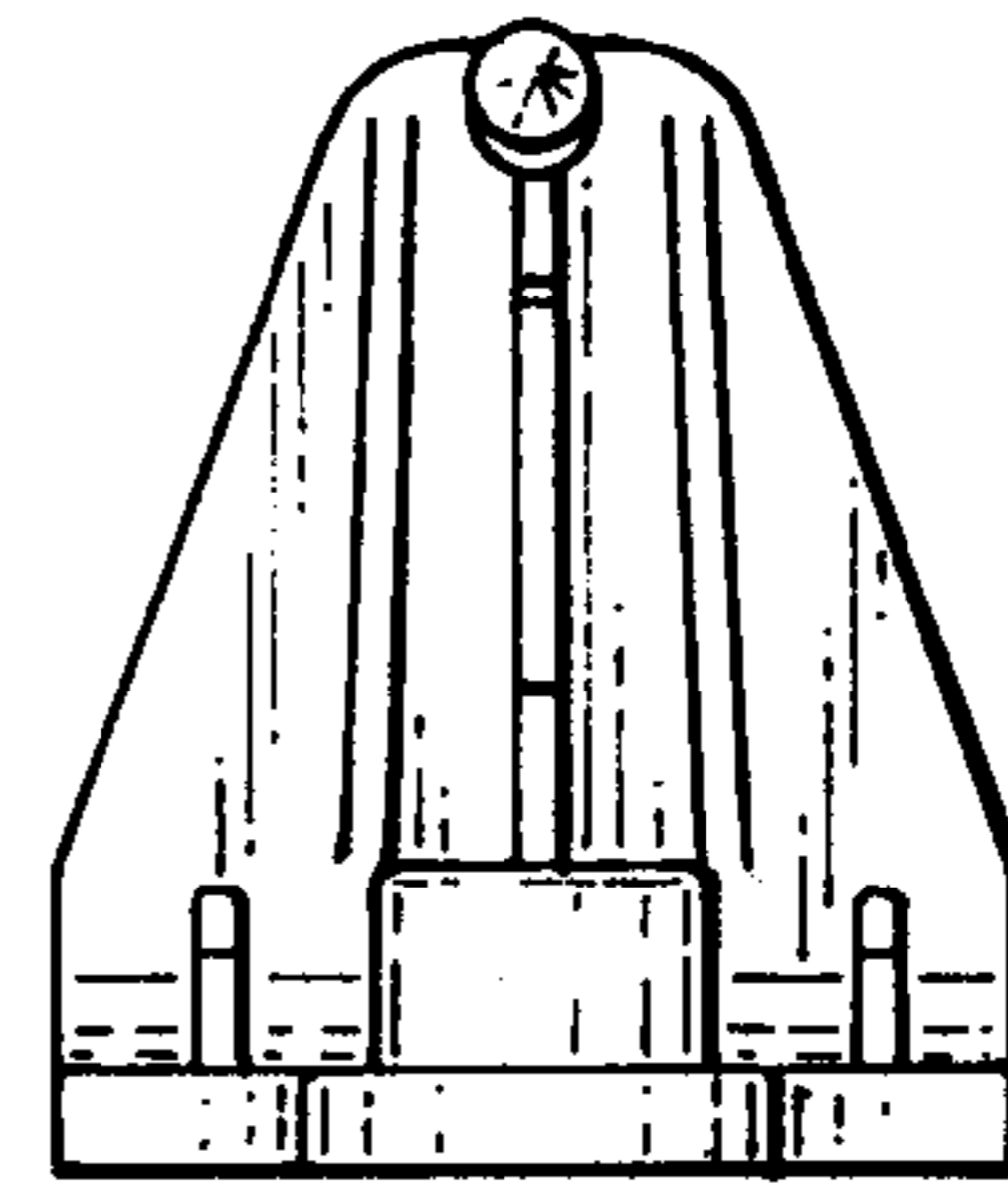


Fig. 3.

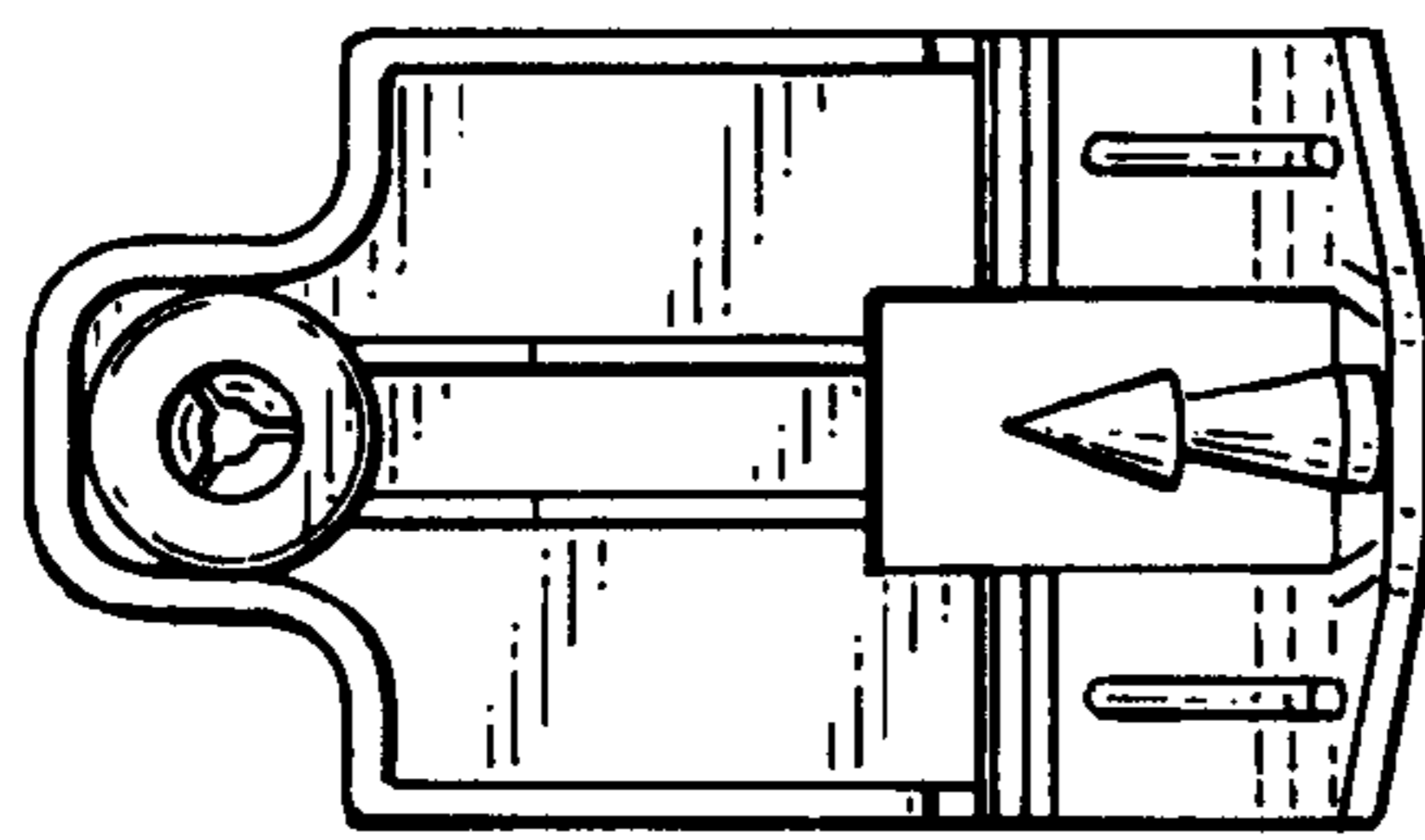


Fig. 4.

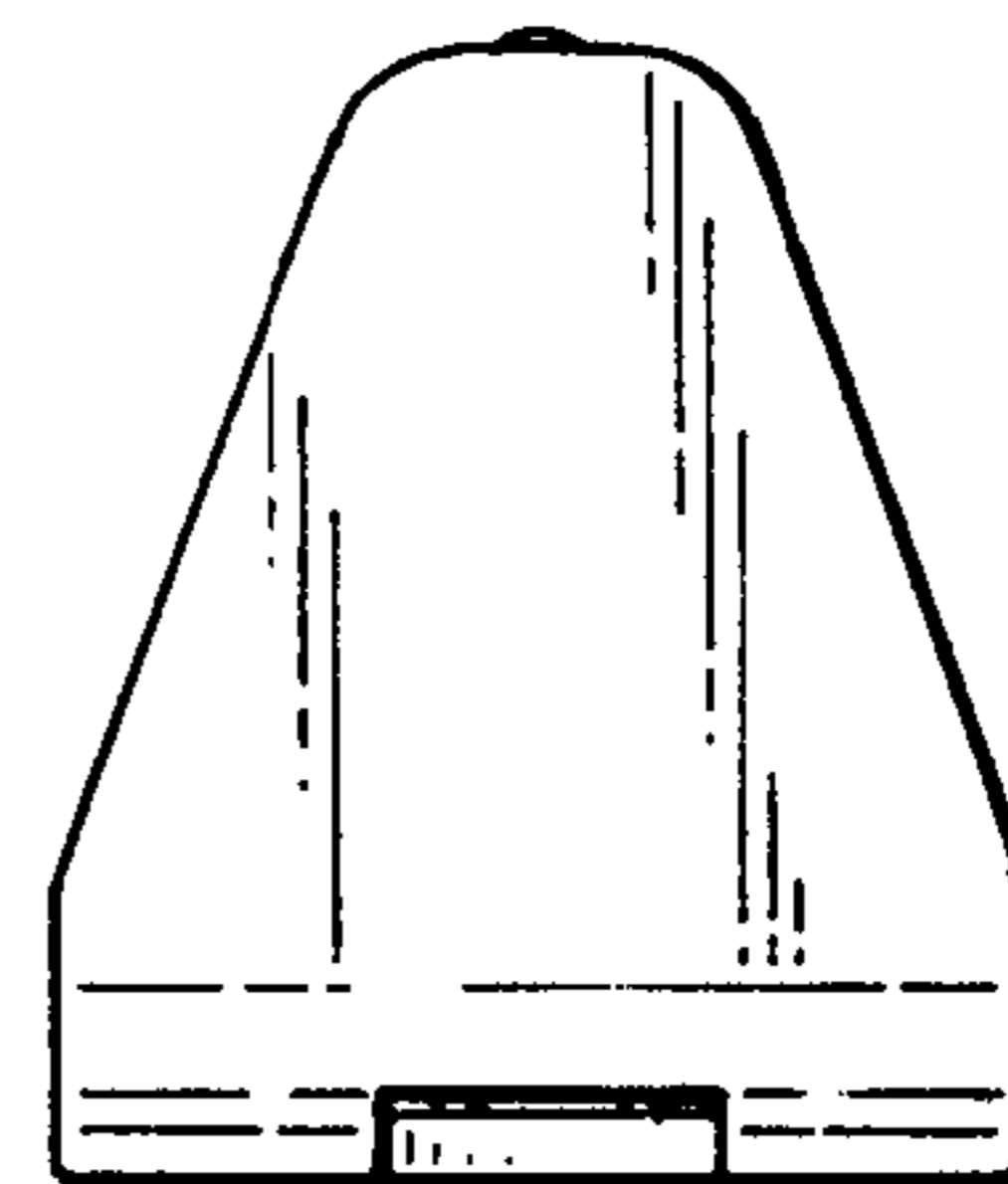


Fig. 5.

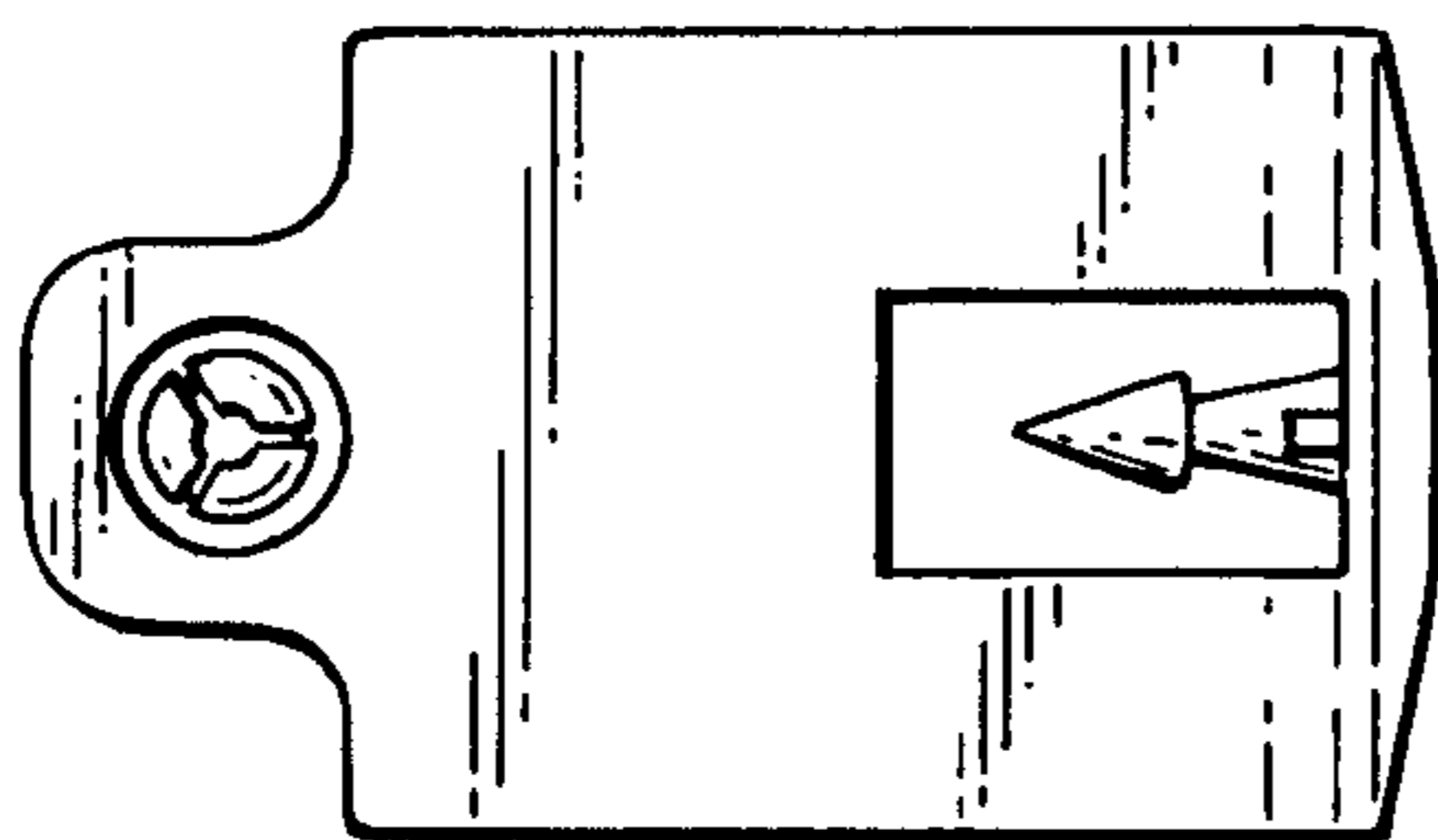


Fig. 6.

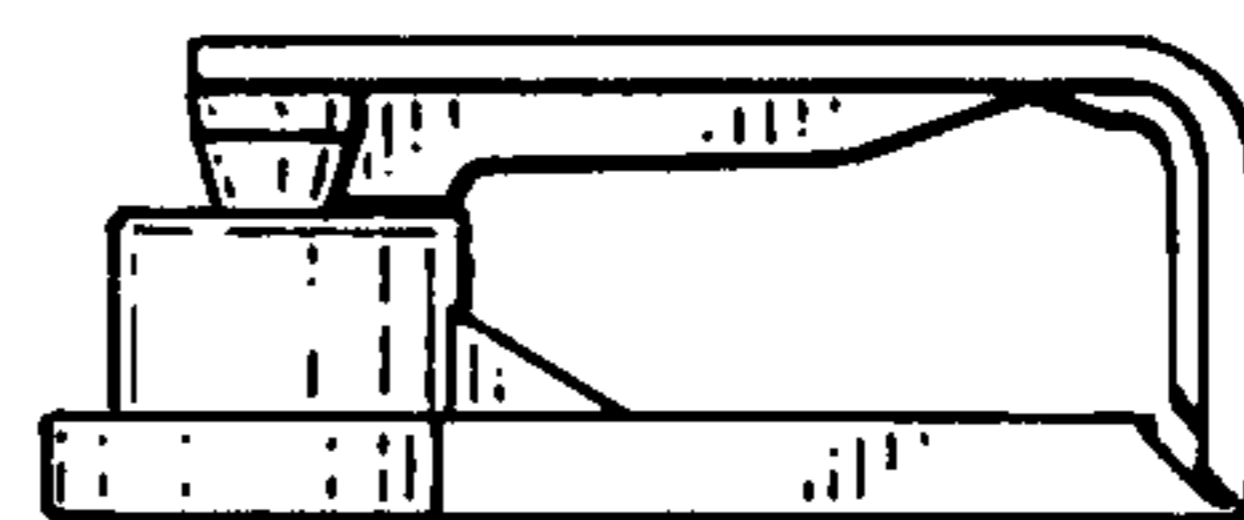


Fig. 7.