

US00D519668S

(12) **United States Design Patent**  
**Chen**

(10) **Patent No.:** **US D519,668 S**

(45) **Date of Patent:** **\*\* Apr. 25, 2006**

(54) **PENDENT LIGHT**

(76) Inventor: **Chia-Teh Chen**, 5Fl., No. 30, Yi Shian Rd., Sung Shan Chu, Taipei City (TW)

(\*\*) Term: **14 Years**

(21) Appl. No.: **29/227,392**

(22) Filed: **Apr. 11, 2005**

(51) **LOC (8) Cl.** ..... **26-03**

(52) **U.S. Cl.** ..... **D26/88; D26/90**

(58) **Field of Classification Search** ..... D26/72,  
D26/80-92, 138, 155, 142-145; 362/147,  
362/404-408

See application file for complete search history.

(56) **References Cited**

**U.S. PATENT DOCUMENTS**

- D70,540 S \* 7/1926 Crumley ..... D26/81
- D389,598 S \* 1/1998 Littman et al. .... D26/84
- D421,662 S \* 3/2000 Littman et al. .... D26/90

**OTHER PUBLICATIONS**

KALCO Catalog ©2000. Items 3813-VB/SH and 3812-BA/8033/40-3 on p. 92.\*

Alhambra Collection 30½" Wide Iron Chandelier. Item #91721 from lampsplus.com. Found online Sep. 23, 2005.\*

Rooster Collection Round Chandelier. Item # 33983 from lampsplus.com. Found online Sep. 23, 2005.\*

Linear Bell Pendant. Item #42435 from bellacor.com. Found online Sep. 23.\*

\* cited by examiner

*Primary Examiner*—Clare E Heflin

(74) *Attorney, Agent, or Firm*—Charles E. Baxley

(57) **CLAIM**

The ornamental design for a pendent light, as shown and described.

**DESCRIPTION**

FIG. 1 is a perspective view of a pendent light showing my new design;

FIG. 2 is a front elevational view thereof;

FIG. 3 is a rear elevational view thereof,

FIG. 4 is a left side elevational view thereof,

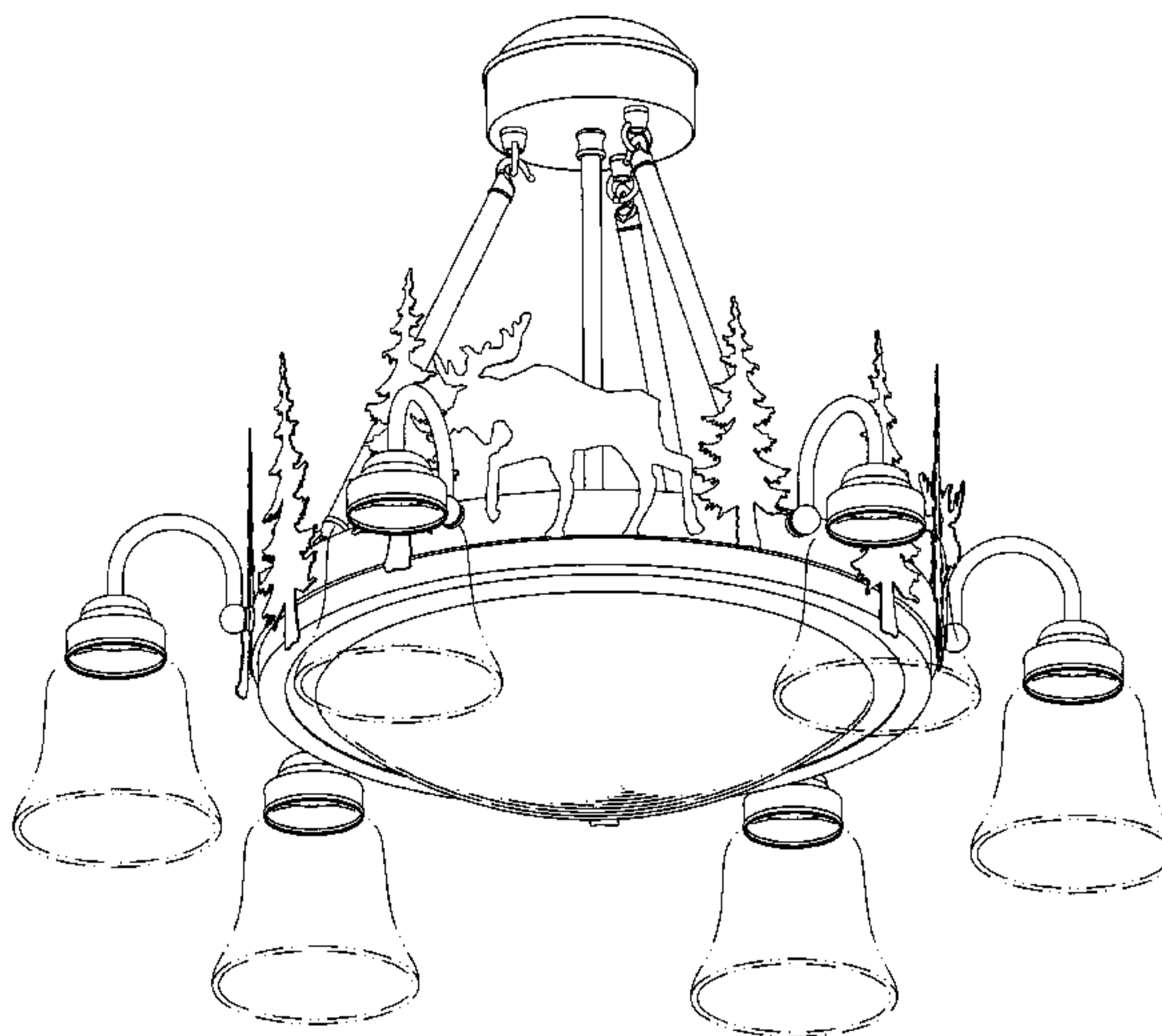
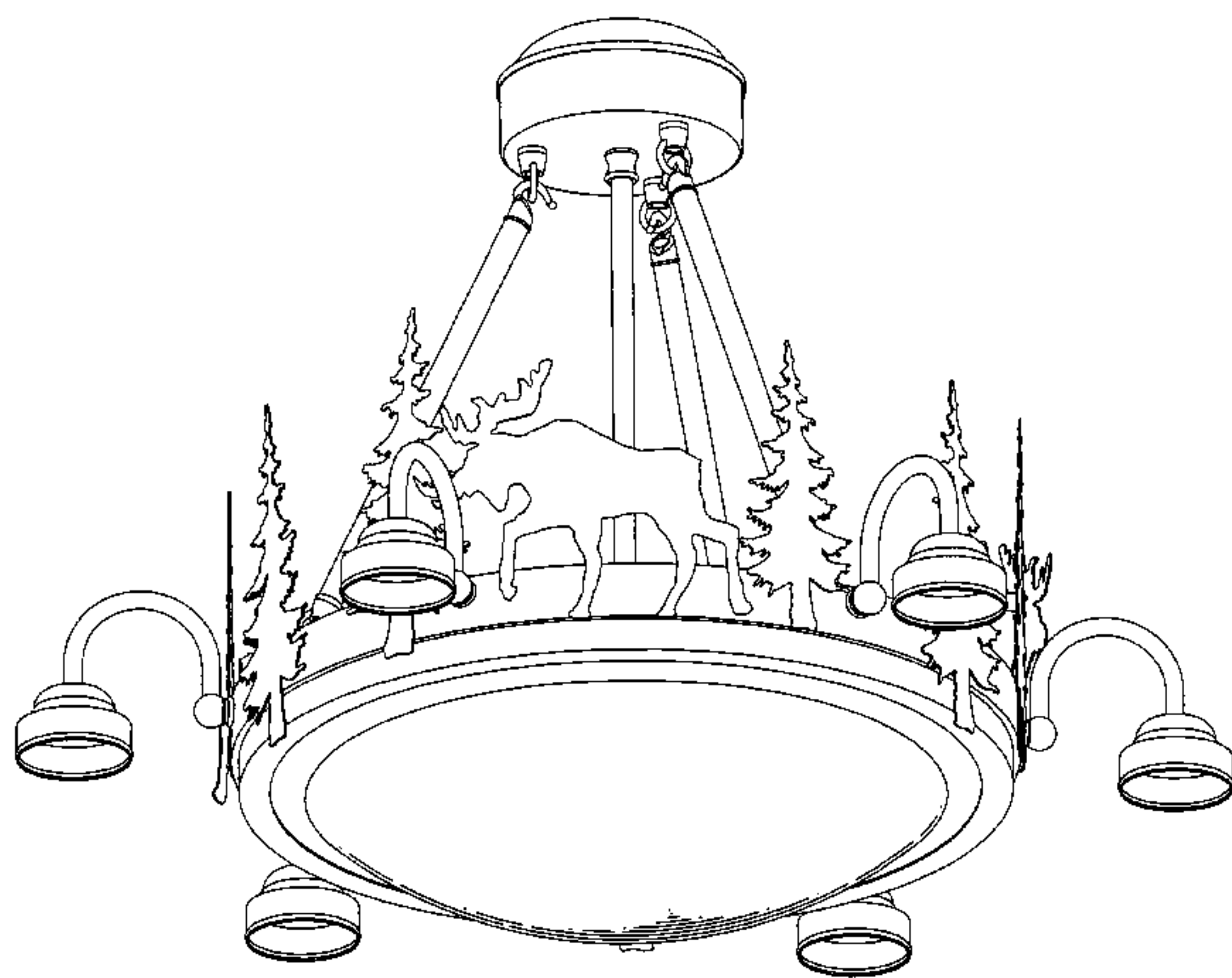
FIG. 5 is a right side elevational view thereof,

FIG. 6 is a top plan view thereof; and

FIG. 7 is a bottom plan view to that shown; and,

FIG. 8 is a perspective view of pendent light, the broken lines shown are for illustrative purposes only and from no part of the claimed design.

**1 Claim, 8 Drawing Sheets**



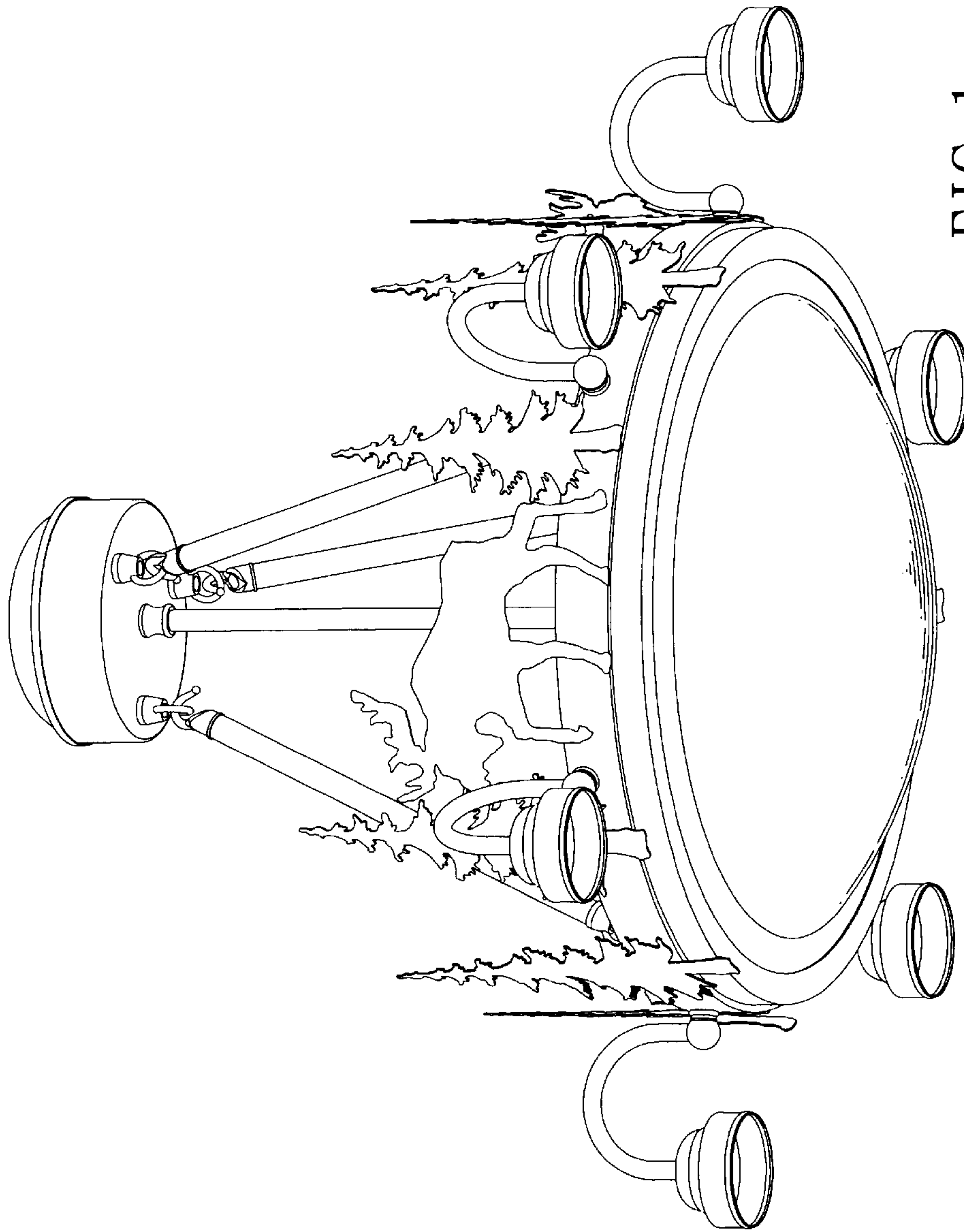


FIG. 1

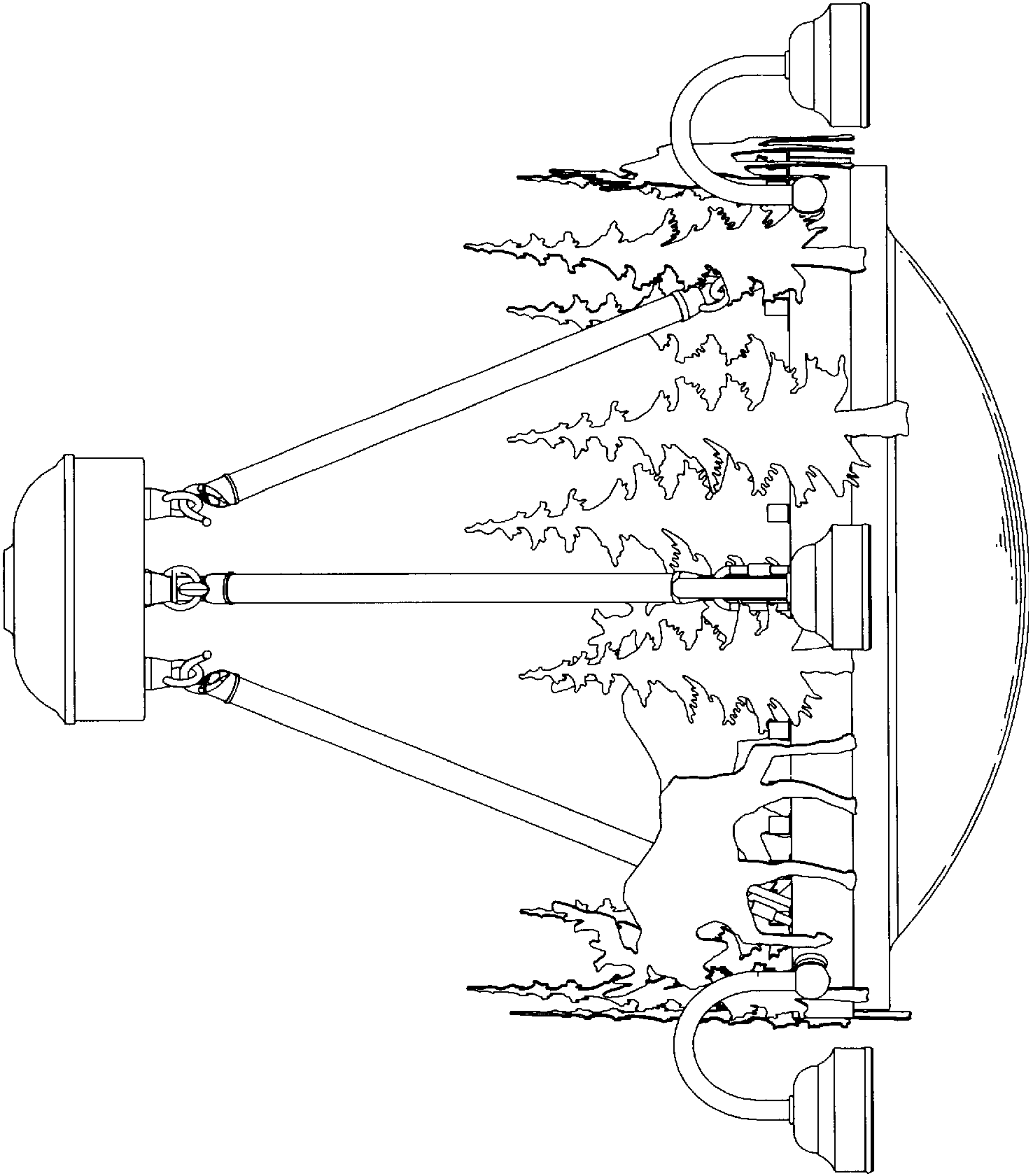


FIG. 2

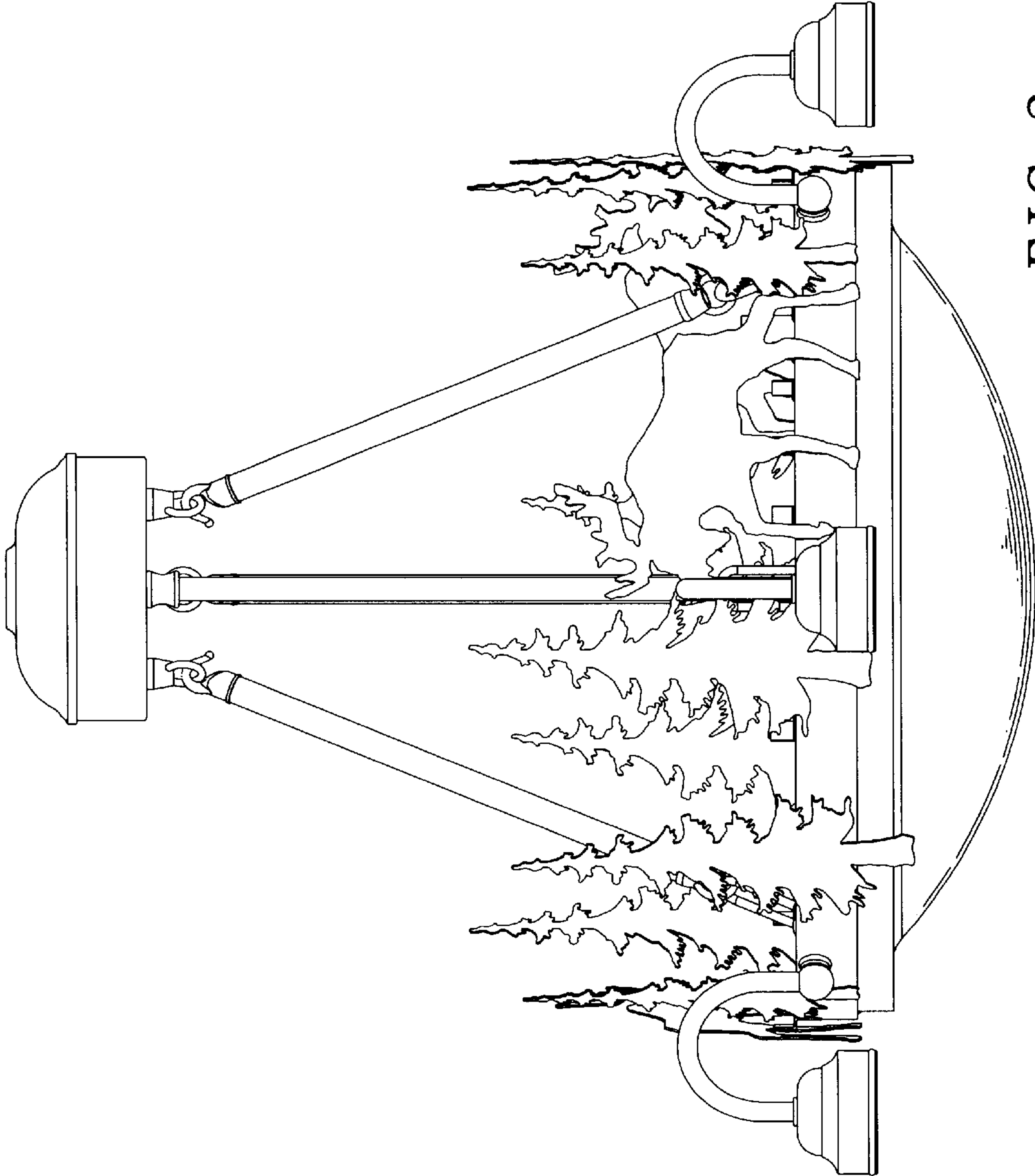


FIG. 3

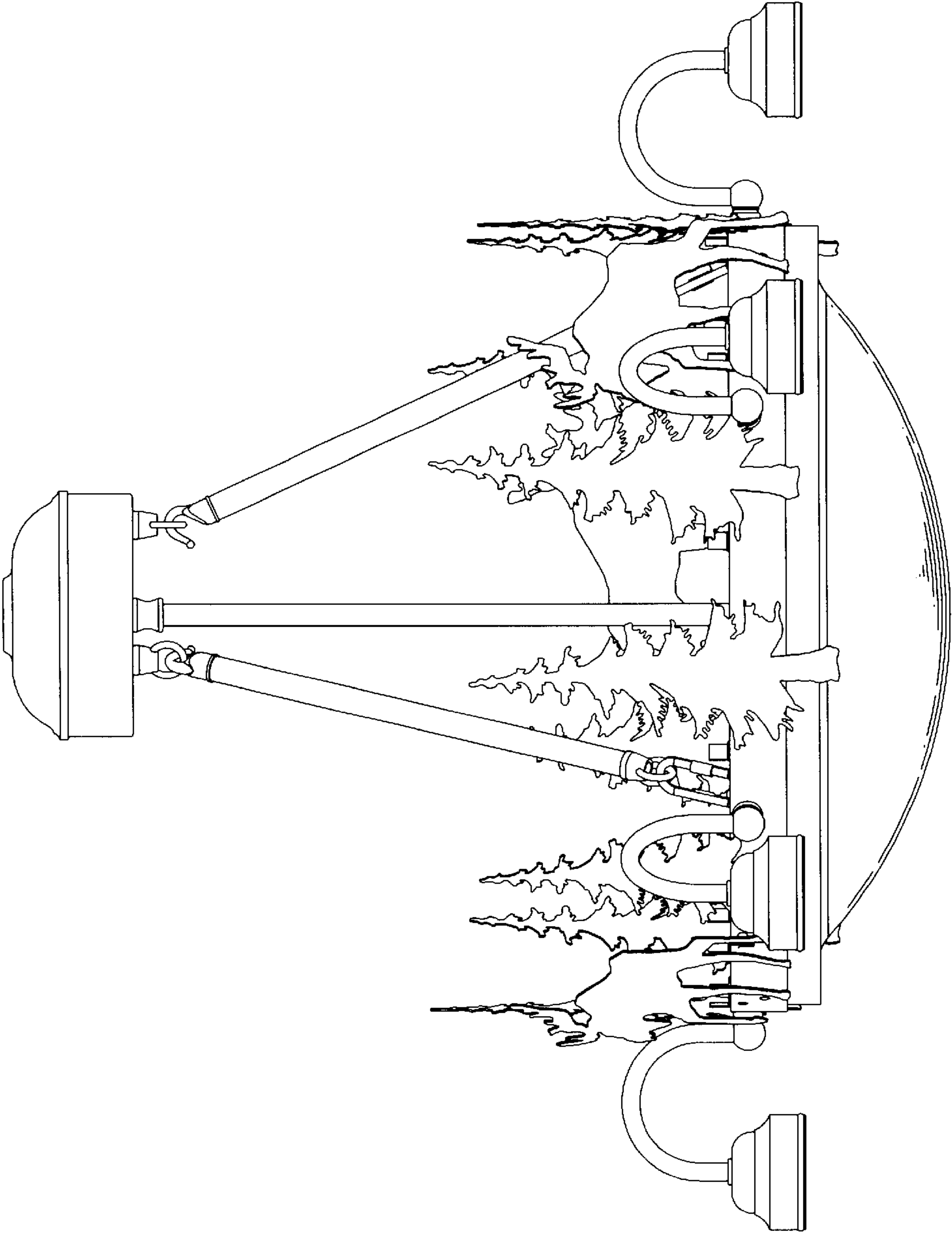


FIG. 4



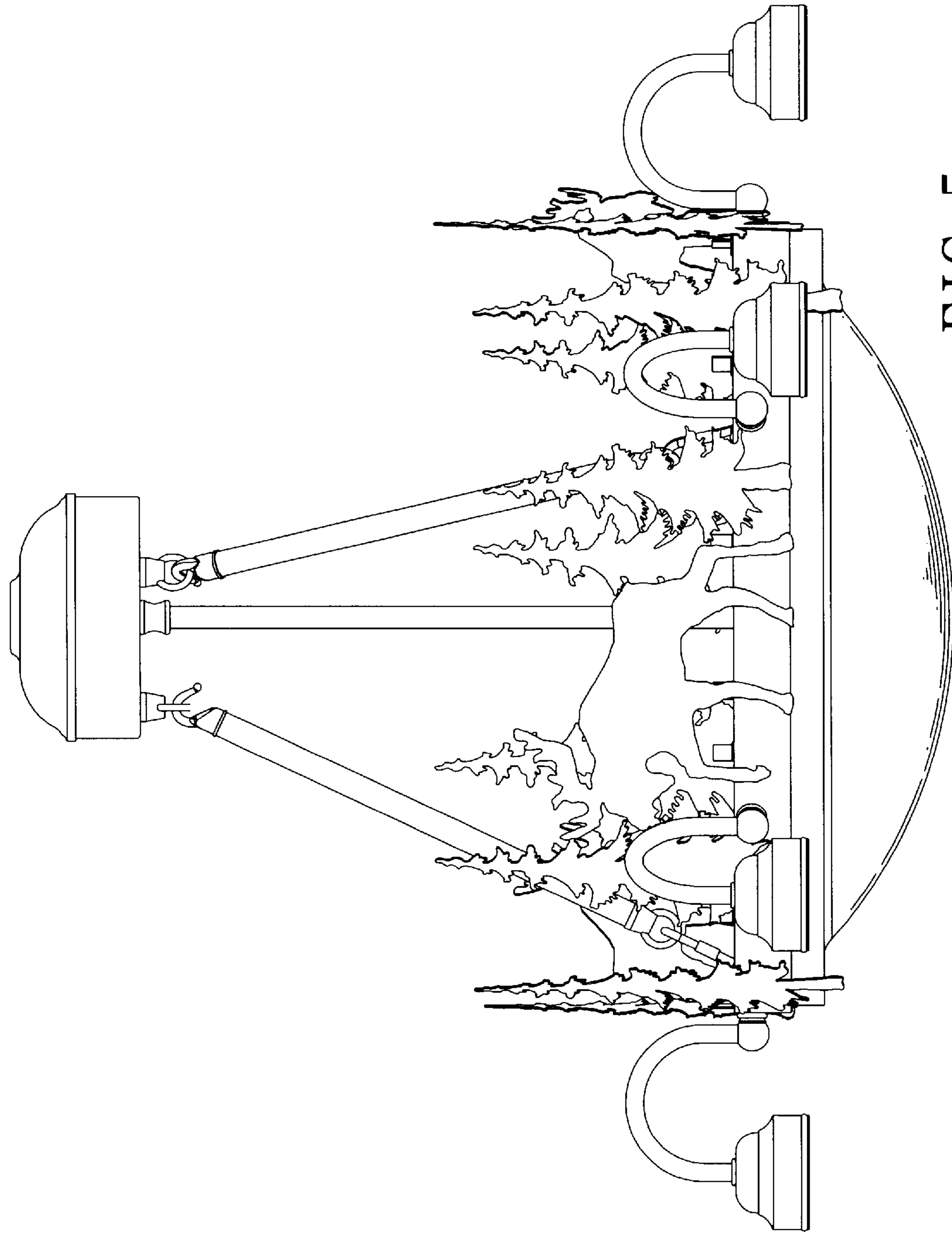


FIG. 5

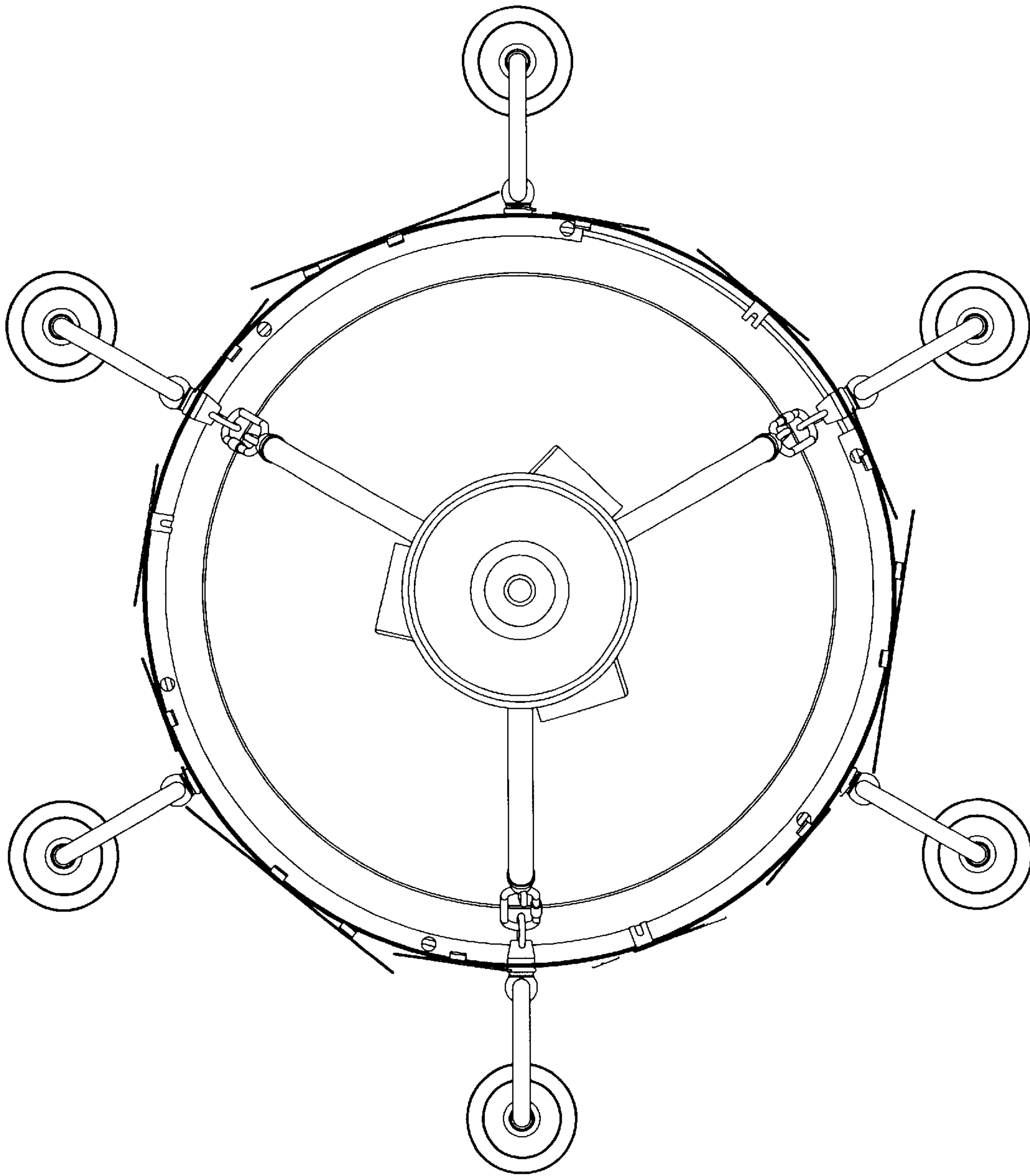


FIG. 6

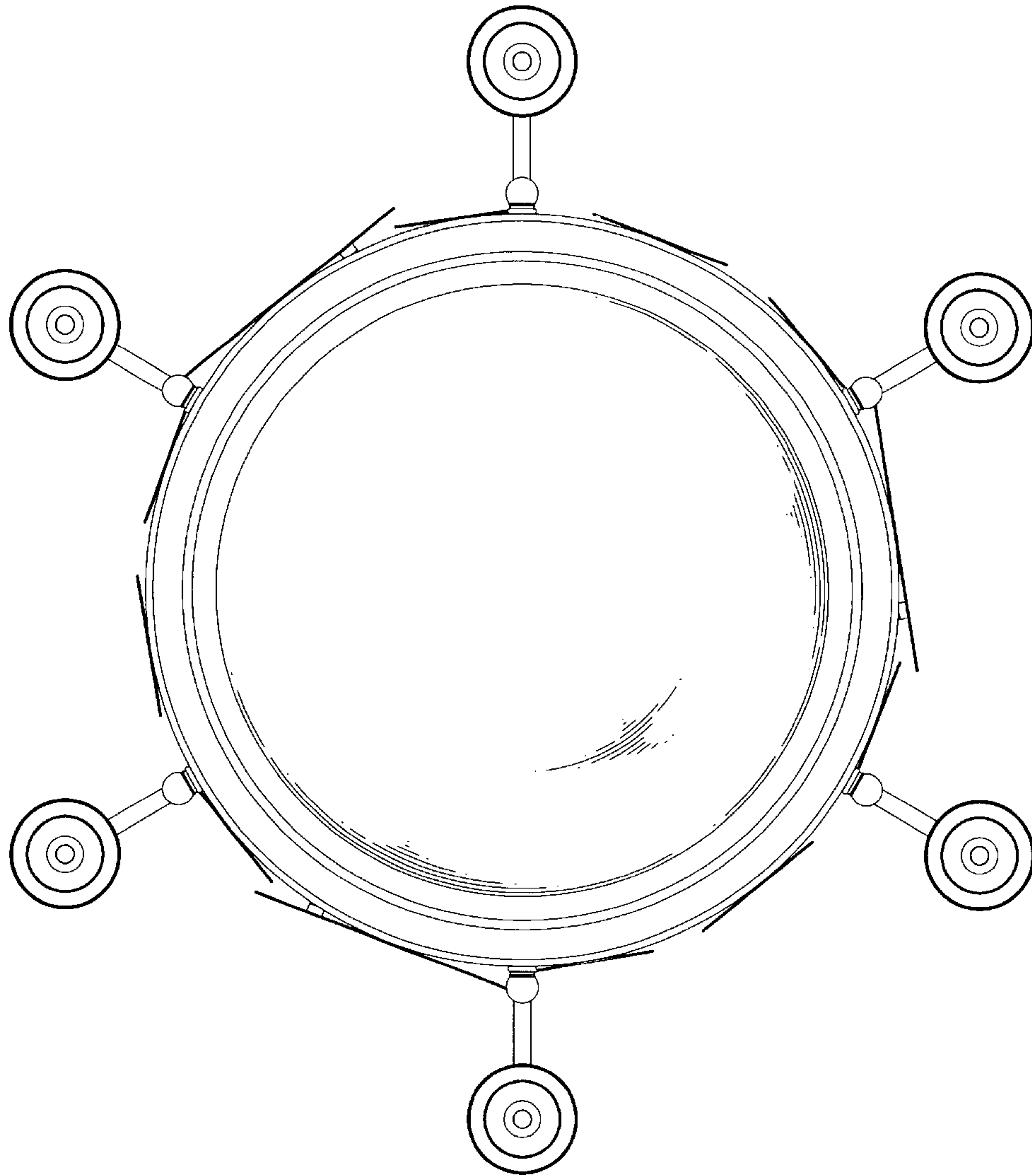


FIG. 7



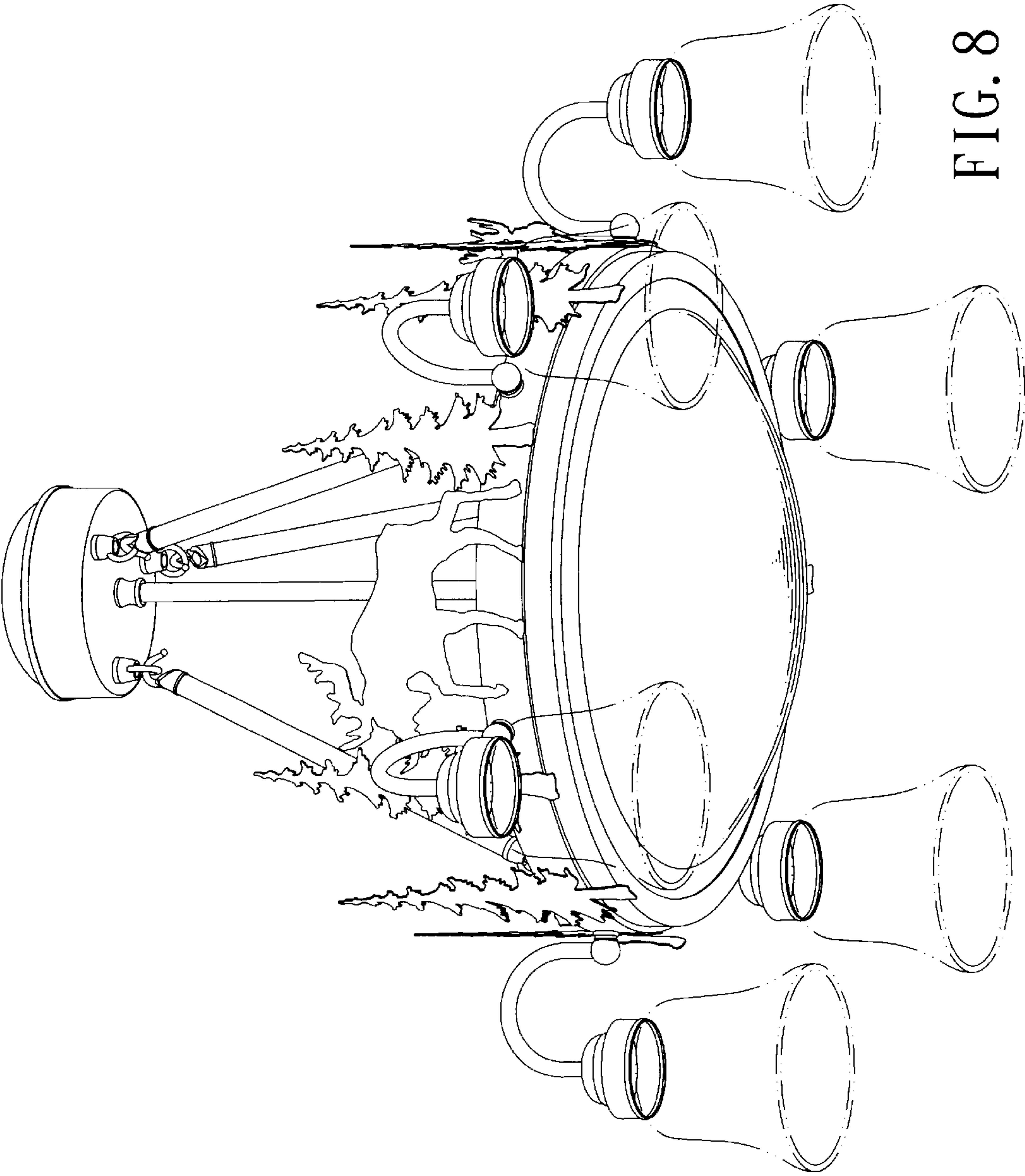


FIG. 8