



US00D519664S

(12) **United States Design Patent**  
**Harbaugh**

(10) **Patent No.:** **US D519,664 S**

(45) **Date of Patent:** **\*\* Apr. 25, 2006**

(54) **LIGHT FIXTURE**

D485,000 S \* 1/2004 Chen ..... D26/67  
D499,833 S \* 12/2004 Chen ..... D26/68

(76) Inventor: **Kenneth A. Harbaugh**, 9886  
Riverwood Ct., Douglasville, GA (US)  
30135

(\*\*) Term: **14 Years**

(21) Appl. No.: **29/226,216**

(22) Filed: **Mar. 24, 2005**

(51) **LOC (8) Cl.** ..... **26-05**

(52) **U.S. Cl.** ..... **D26/68**

(58) **Field of Classification Search** ..... D26/67-71;  
362/153, 153.1, 183-185, 362, 363, 431,  
362/805

See application file for complete search history.

(56) **References Cited**

**U.S. PATENT DOCUMENTS**

D173,261 S \* 10/1954 Ferman ..... D26/67  
D216,750 S \* 3/1970 Klein ..... D26/68  
5,155,668 A \* 10/1992 Tanner et al. .... 362/183  
D445,937 S \* 7/2001 Sanoner ..... D26/68  
D471,662 S \* 3/2003 Sooferian ..... D26/67  
6,575,591 B1 \* 6/2003 De Lany ..... 362/153

**OTHER PUBLICATIONS**

Garden Solar Light #'s 206, 215, 223 and 226. Found online  
at nbhangshun.com on /25/05.\*

Solar Garden Lamp found online at hangshun.en.alibaba-  
.com on Aug. 25, 2005.\*

\* cited by examiner

*Primary Examiner*—Clare E Heflin

(74) *Attorney, Agent, or Firm*—Kilpatrick Stockton LLP

(57) **CLAIM**

The ornamental design for a light fixture, substantially as  
shown and described.

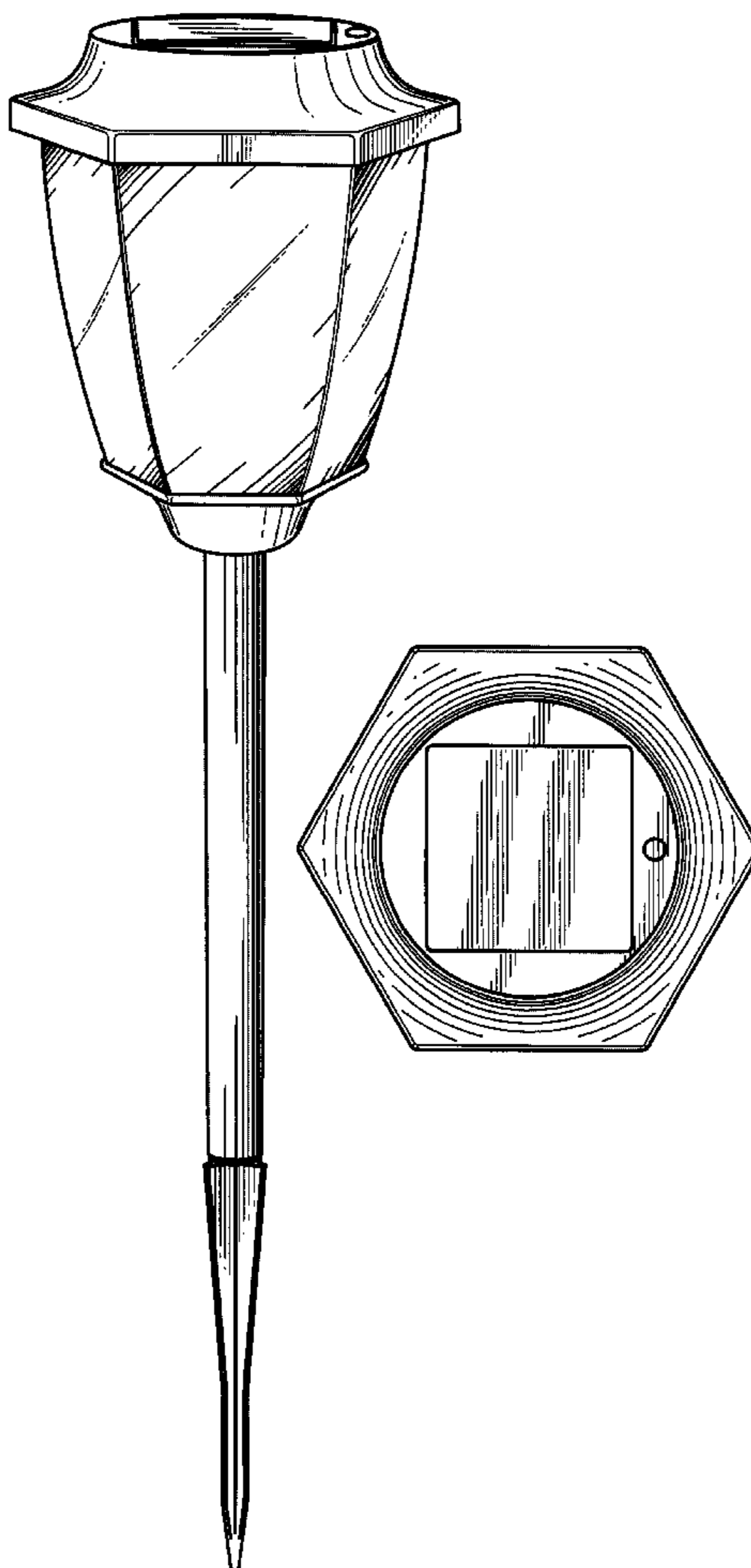
**DESCRIPTION**

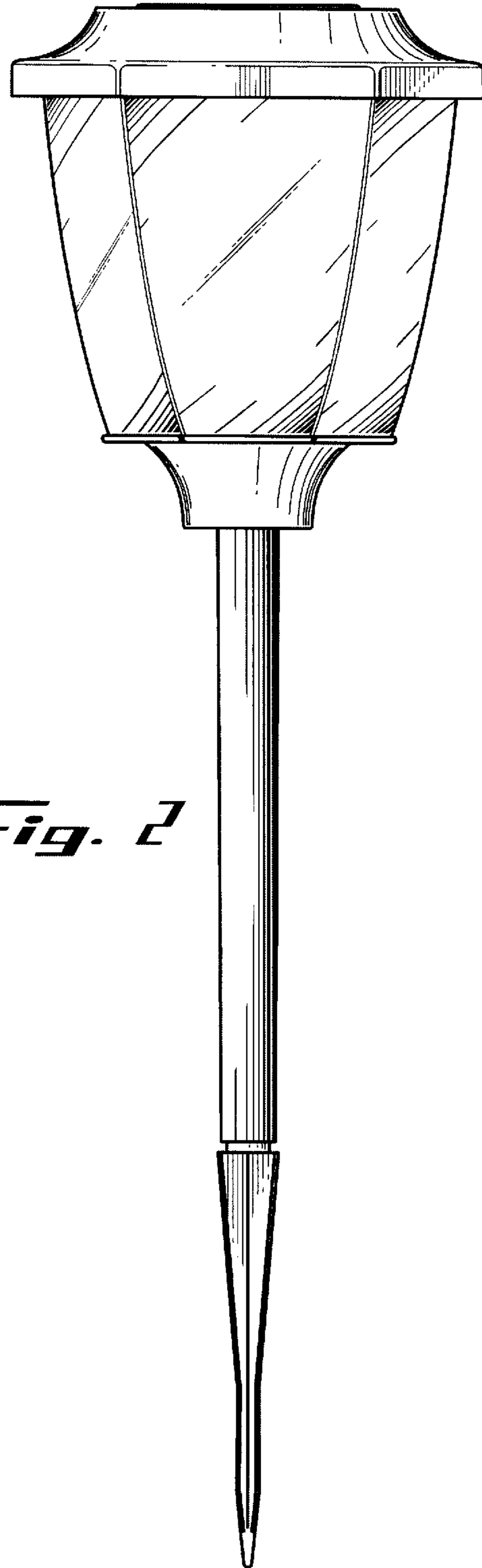
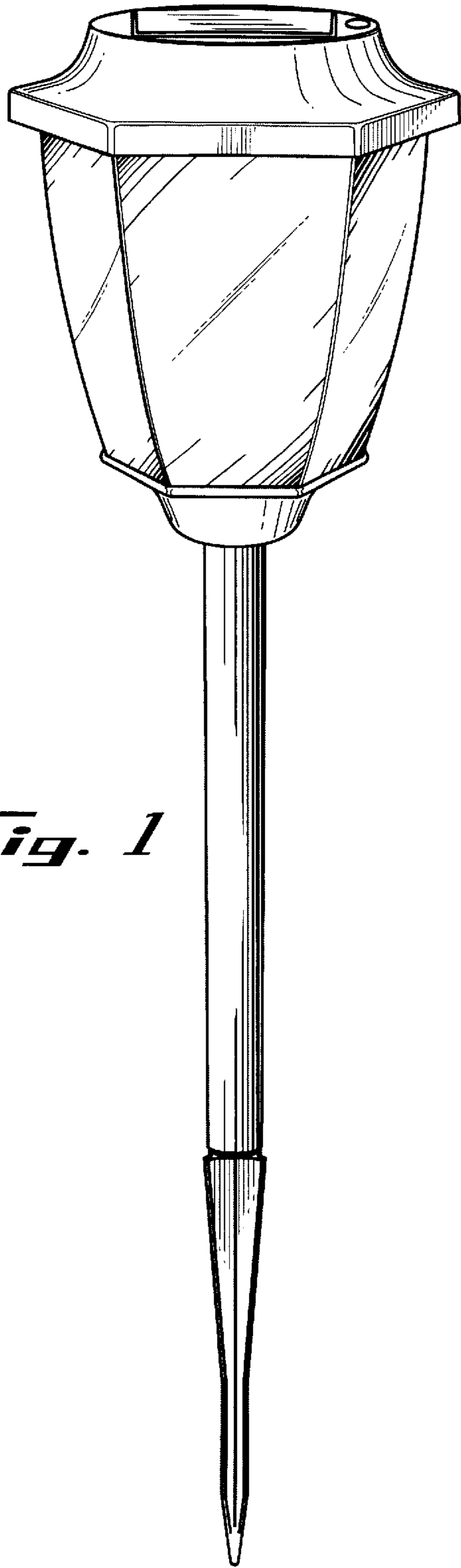
FIG. 1 is a perspective view showing the light fixture;  
FIG. 2 is a front view thereof, the rear view being the same;  
FIG. 3 is a side view thereof, the opposite side view being  
the same;

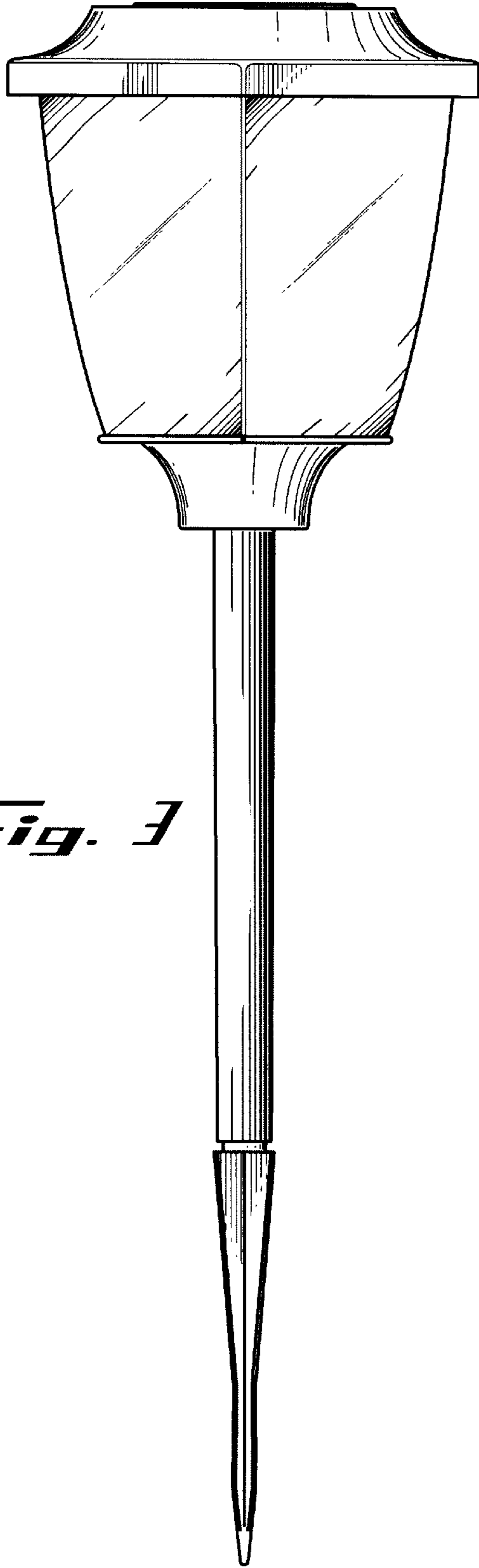
FIG. 4 is a top view thereof; and,

FIG. 5 is a bottom view thereof.

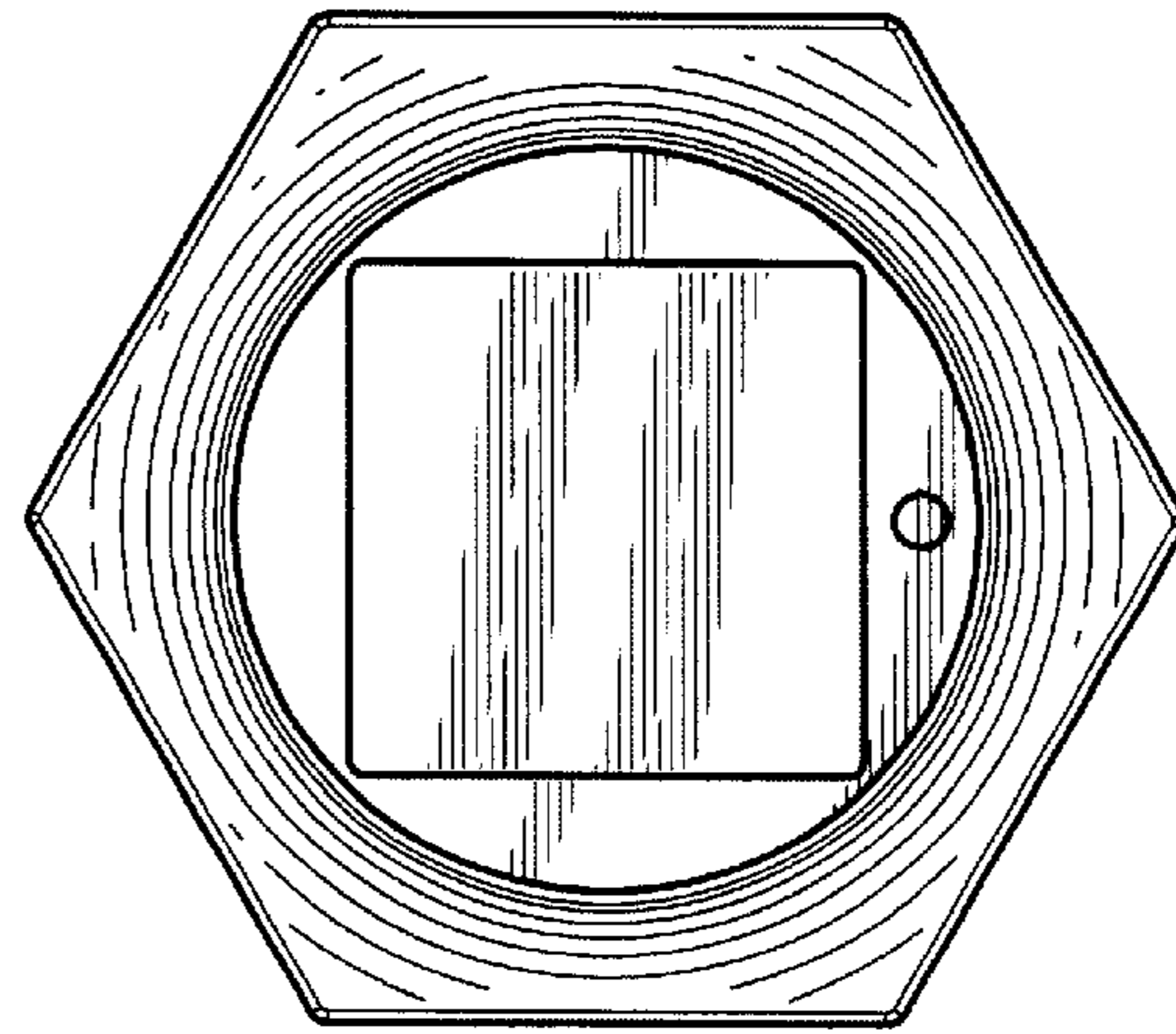
**1 Claim, 2 Drawing Sheets**



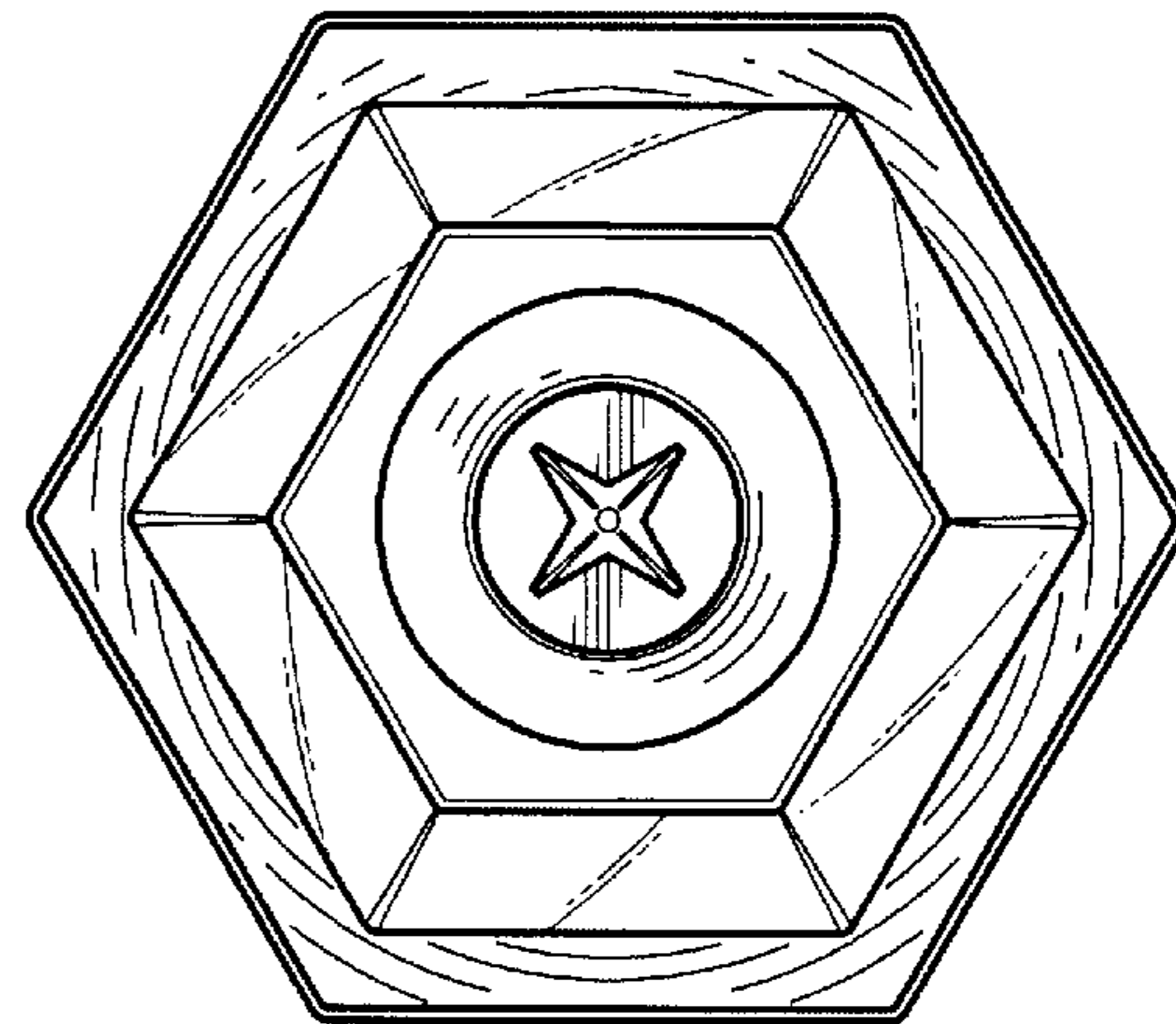




*Fig. 3*



*Fig. 4*



*Fig. 5*