



US00D519663S

(12) **United States Design Patent**
Wead

(10) **Patent No.:** **US D519,663 S**

(45) **Date of Patent:** **** Apr. 25, 2006**

(54) **MEMORIAL SOLAR LIGHT**

(75) Inventor: **Barbara J. Wead**, Miamisburg, OH (US)

(73) Assignee: **Commemorative Displays, Inc.**, Xenia, OH (US)

(**) Term: **14 Years**

(21) Appl. No.: **29/226,143**

(22) Filed: **Mar. 24, 2005**

(51) **LOC (8) Cl.** **26-05**

(52) **U.S. Cl.** **D26/68**

(58) **Field of Classification Search** D26/67-71,
D26/85; 362/153, 153.1, 183-185, 362, 363,
362/431, 805

See application file for complete search history.

(56) **References Cited**

U.S. PATENT DOCUMENTS

D311,255 S	*	10/1990	Spotts	D26/67
D316,452 S	*	4/1991	Kira	D26/68
D316,758 S	*	5/1991	Kira	D26/68
D338,080 S	*	8/1993	Elazari	D26/68
5,255,170 A		10/1993	Plamp et al.		
D341,221 S	*	11/1993	Elazari	D26/68
D373,000 S	*	8/1996	Brady	D26/68
D377,229 S	*	1/1997	Shalvi	D26/68
D426,012 S	*	5/2000	Giese et al.	D26/68
6,387,729 B1	*	5/2002	Eng et al.	438/106

OTHER PUBLICATIONS

www.eternallightcross.com, VITCO for Eternal Light, *Eternal Light*, Copyright 2003, (printed out Dec. 29, 2004) (4 pages).

www.finalplans.com, FinalPlans, *Cemetery Memorial*, Copyright 2003, (printed out Dec. 17, 2003) (5 pages).

www.lamp-cn.com, Jiangsu Bright Group, *Solar Lamp* (3 pages).

www.peacelight.com, Peace Light by Cemeteries Aglow, Inc., *Peace Light Icons* (printed Dec. 17, 2003) (10 Pages).

* cited by examiner

Primary Examiner—Clare E Heflin

(74) *Attorney, Agent, or Firm*—Wood, Herron & Evans, LLP

(57) **CLAIM**

The ornamental design for memorial solar light, as shown and described.

DESCRIPTION

FIG. 1 is a perspective view of one embodiment of my new, original and ornamental design for a memorial solar light; FIG. 2 is a front elevational view thereof;

FIG. 3 is a rear elevational view thereof;

FIG. 4 is a right side elevational view thereof;

FIG. 5 is a left side elevational view thereof;

FIG. 6 is a top plan view thereof;

FIG. 7 is a bottom plan view thereof;

FIG. 8 is a perspective view of another embodiment of my new, original and ornamental design for a memorial solar light;

FIG. 9 is a front elevational view of the embodiment of FIG. 8;

FIG. 10 is a rear elevational view of the embodiment of FIG. 8;

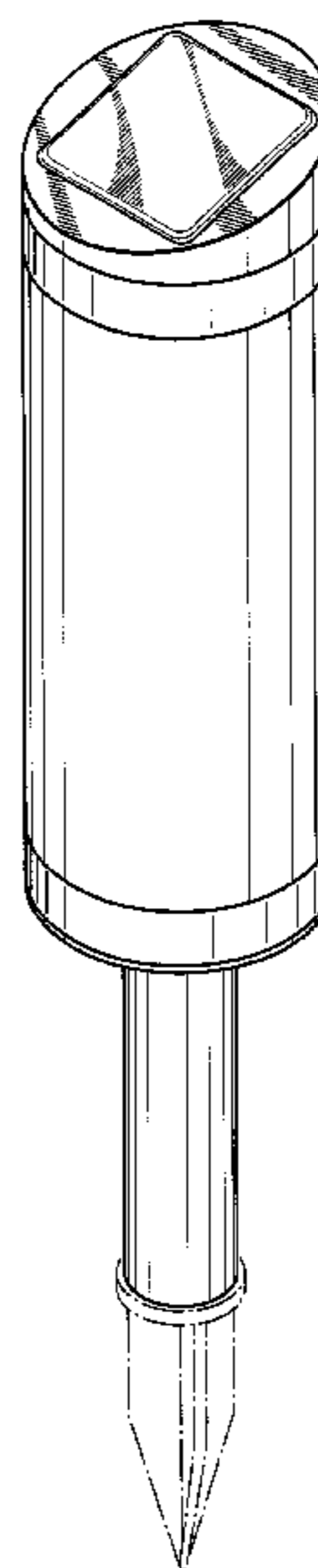
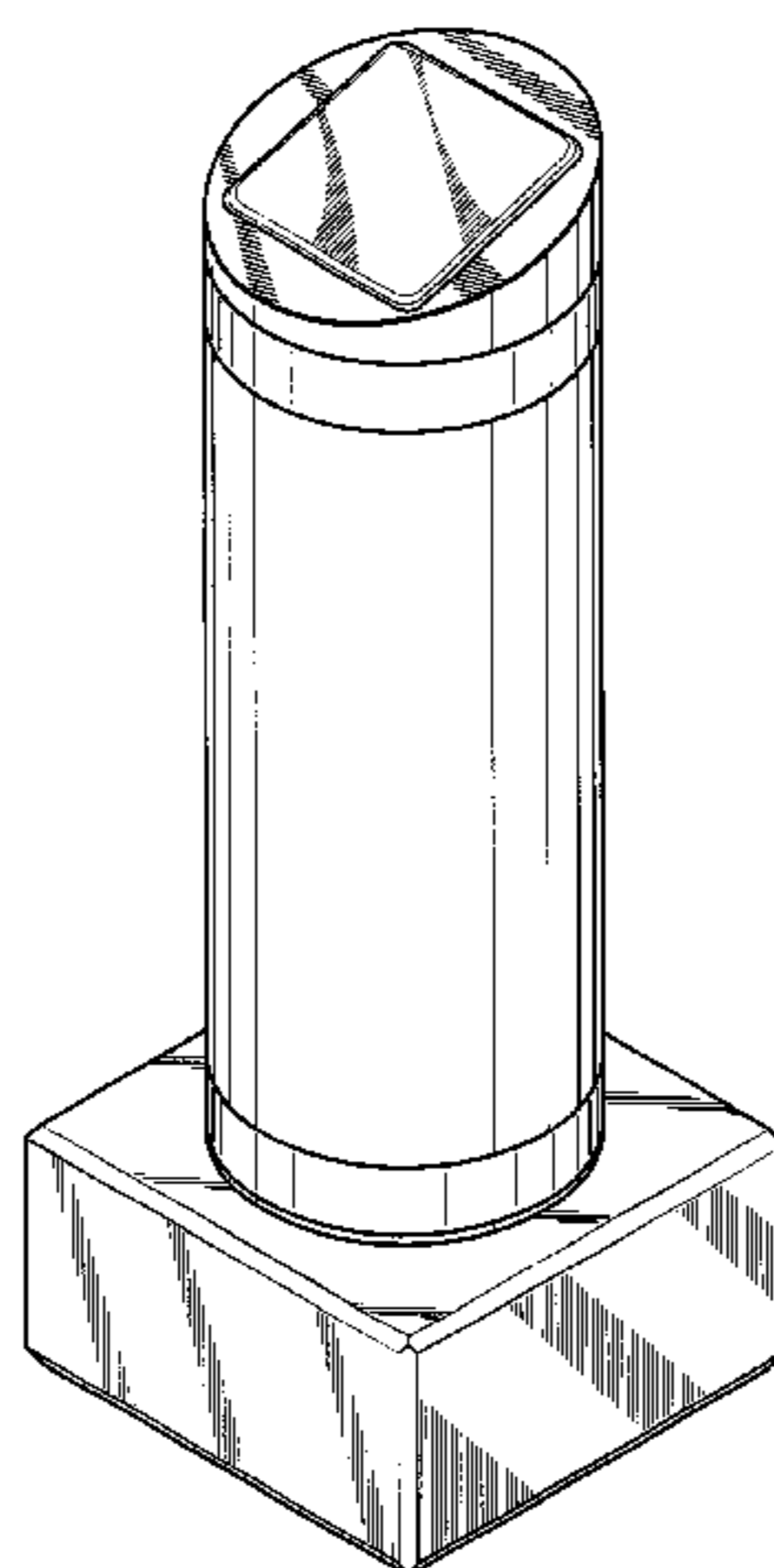
FIG. 11 is a right side elevational view of the embodiment of FIG. 8;

FIG. 12 is a left side elevational view of the embodiment of FIG. 8;

FIG. 13 is a top plan view of the embodiment of FIG. 8; and,

FIG. 14 is a bottom plan view of the embodiment of FIG. 8; The structure shown in phantom is for illustrative purposes only and forms no part of the claimed design.

1 Claim, 8 Drawing Sheets



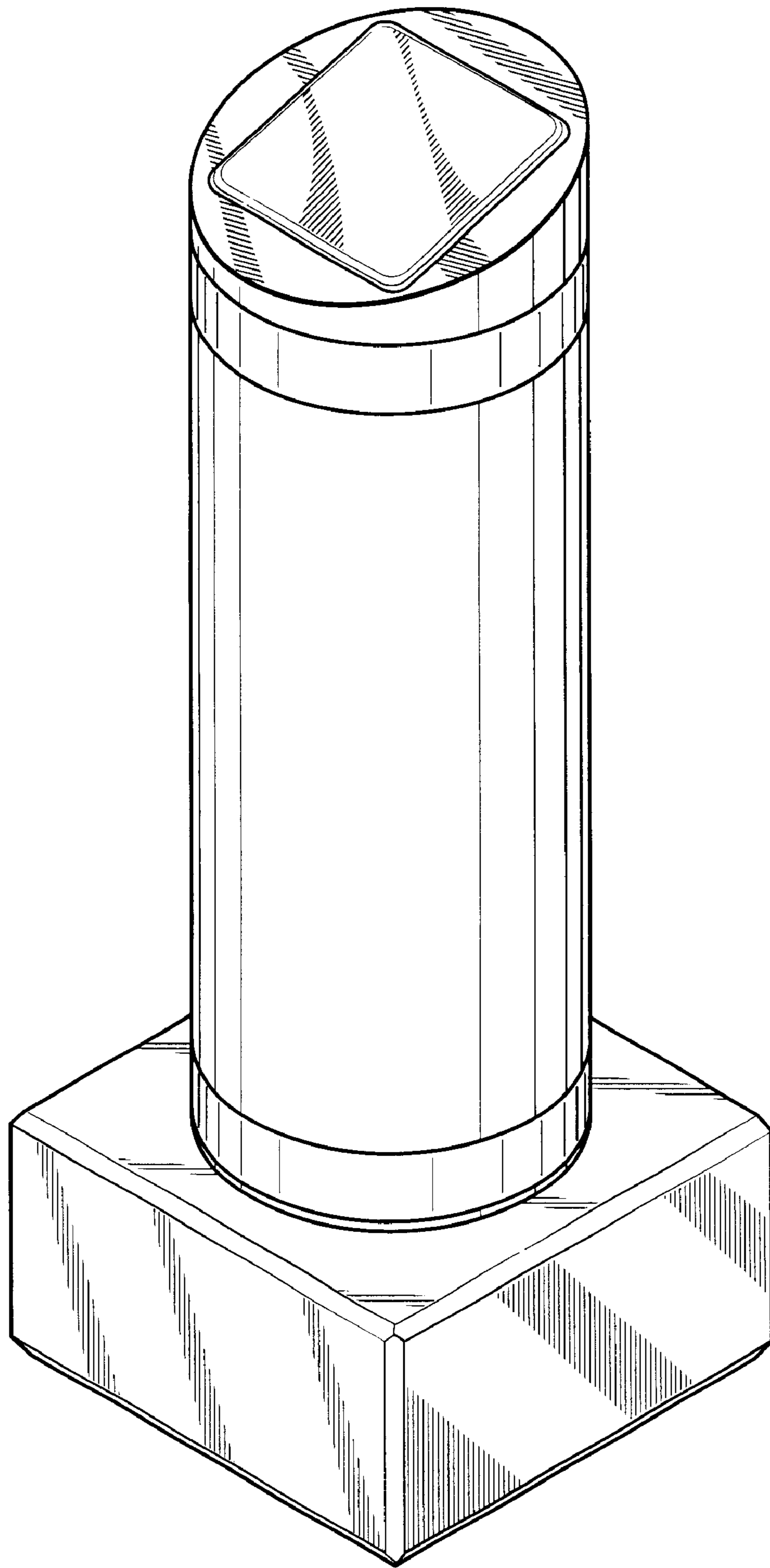


FIG. 1

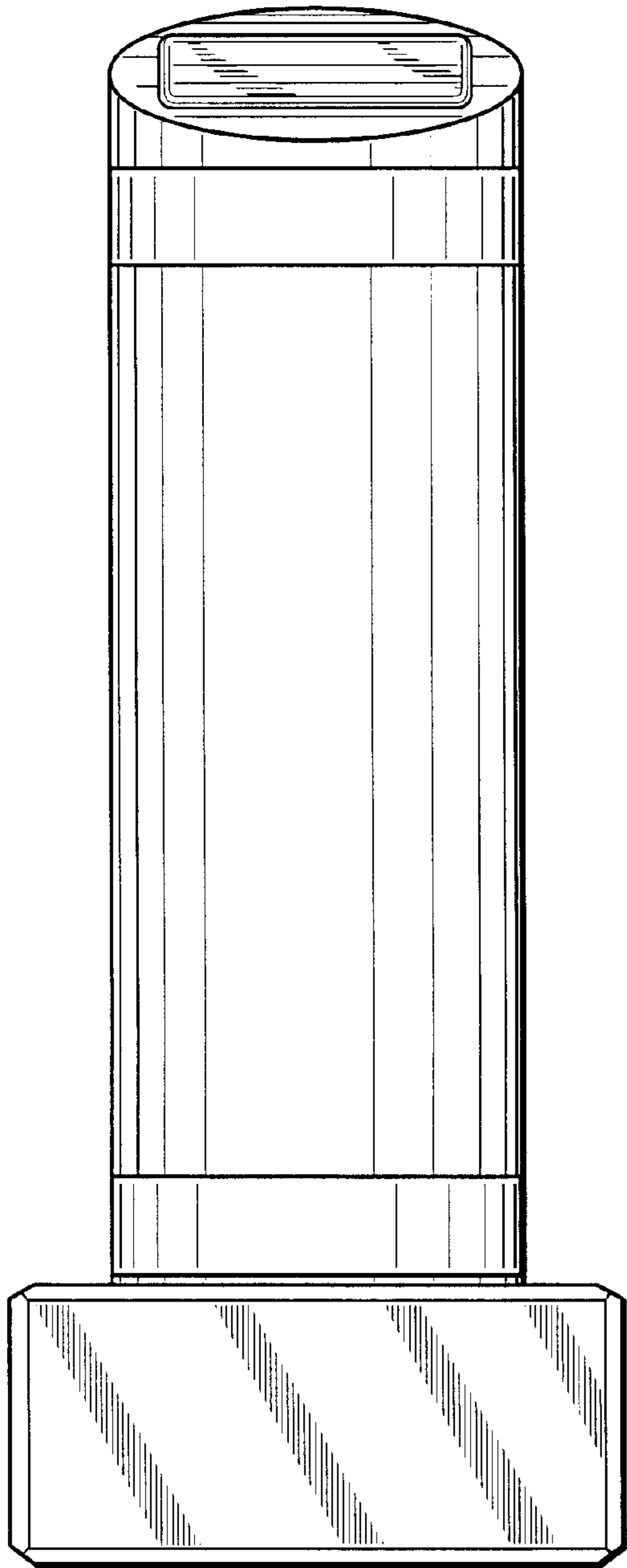


FIG. 2

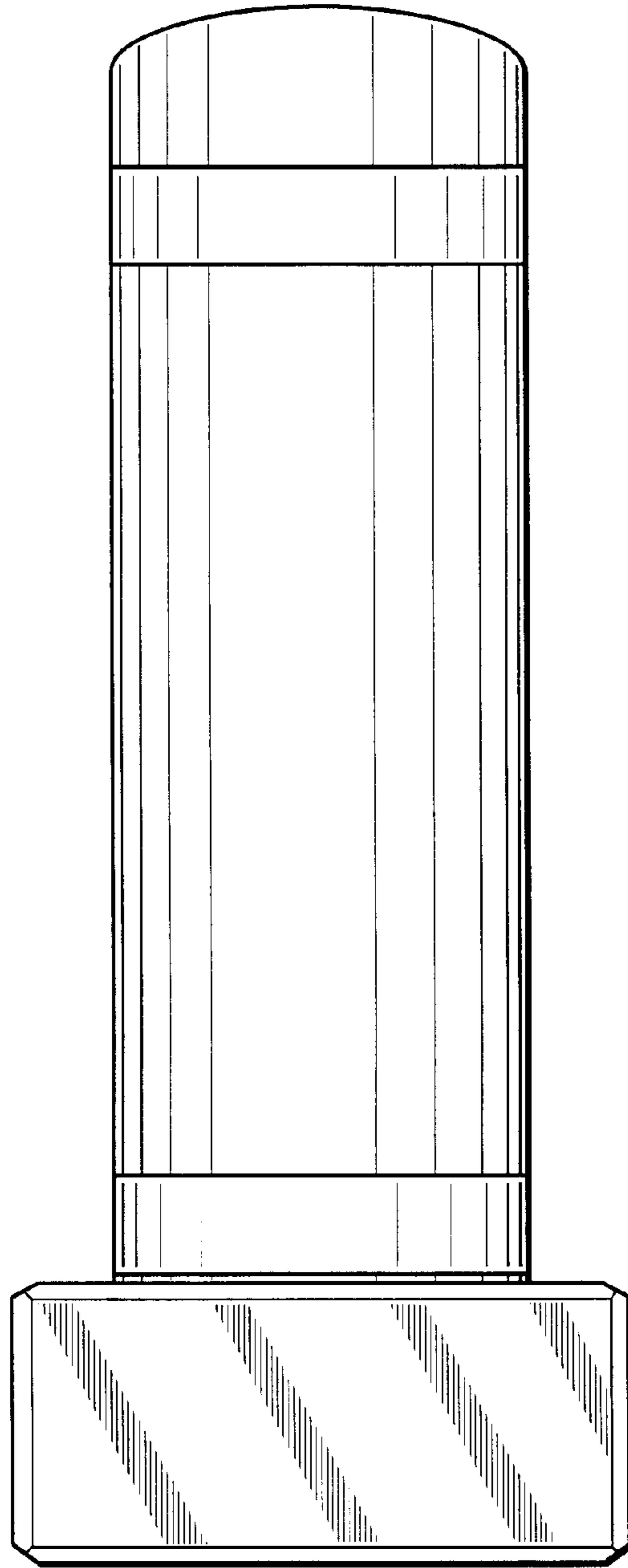


FIG. 3

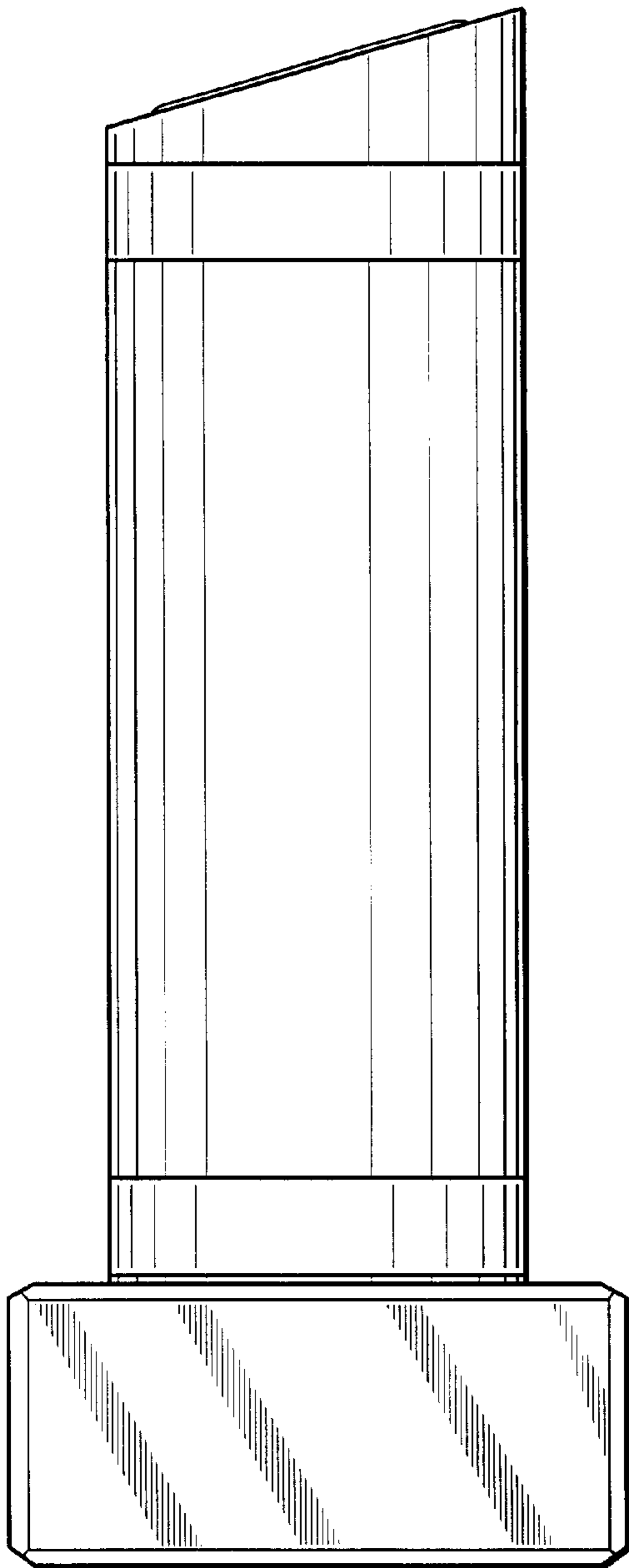


FIG. 4

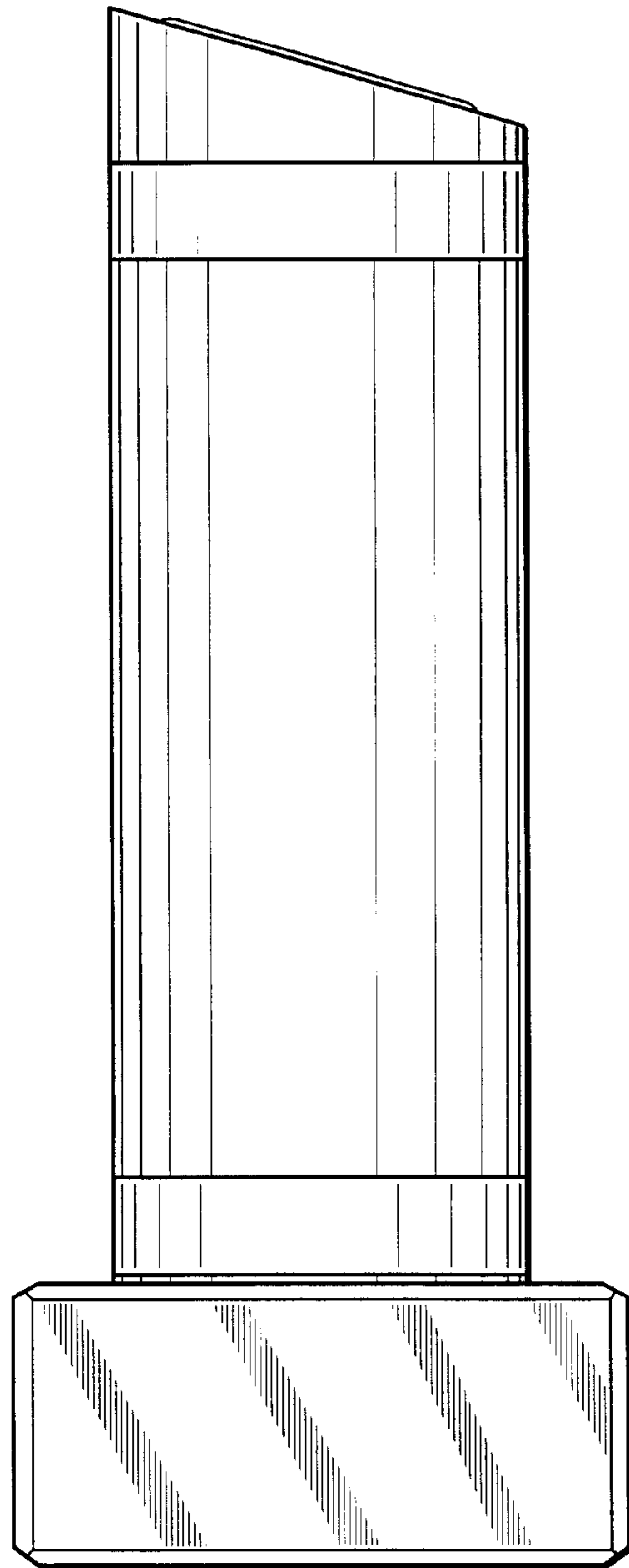


FIG. 5

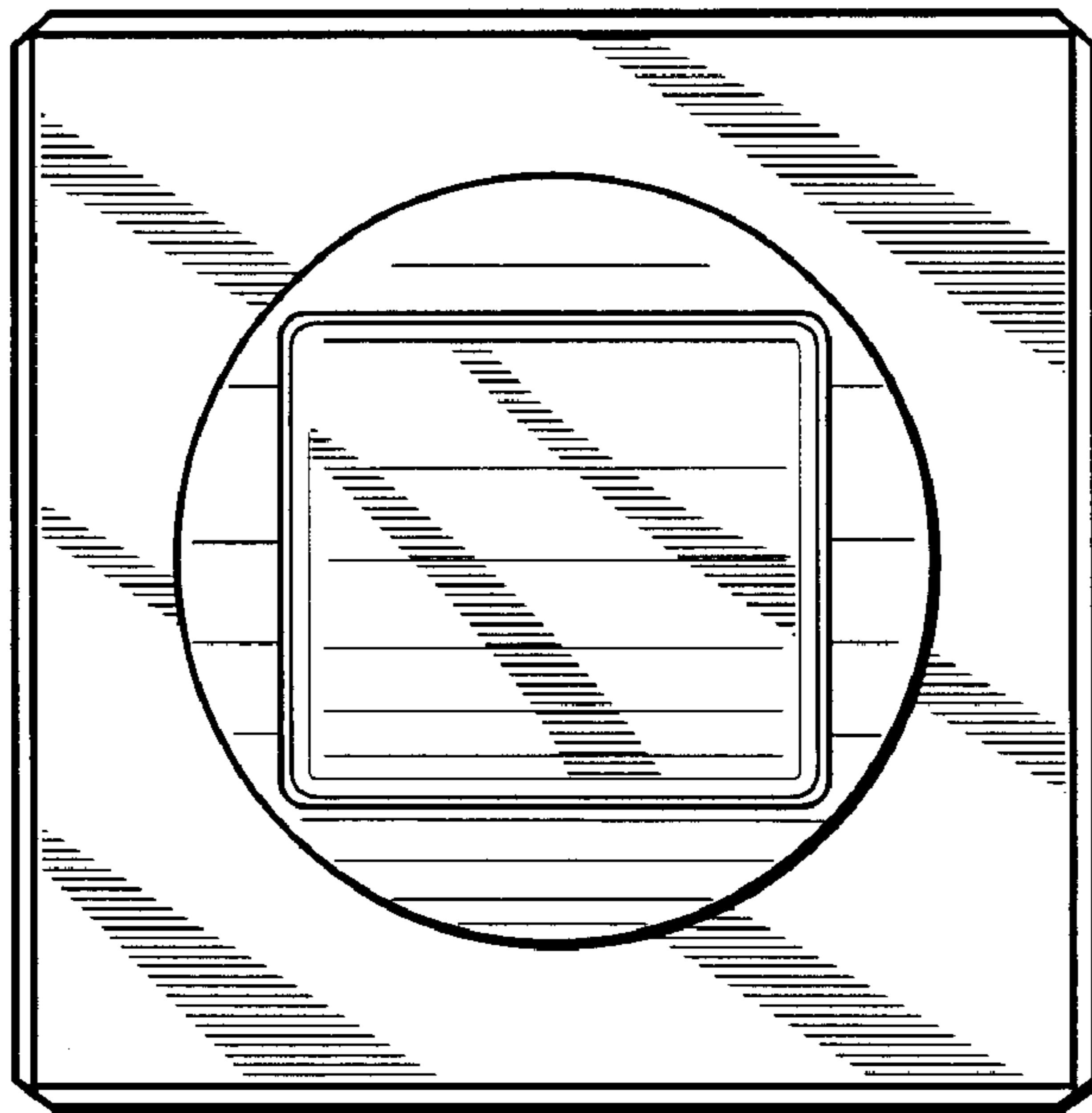


FIG. 6

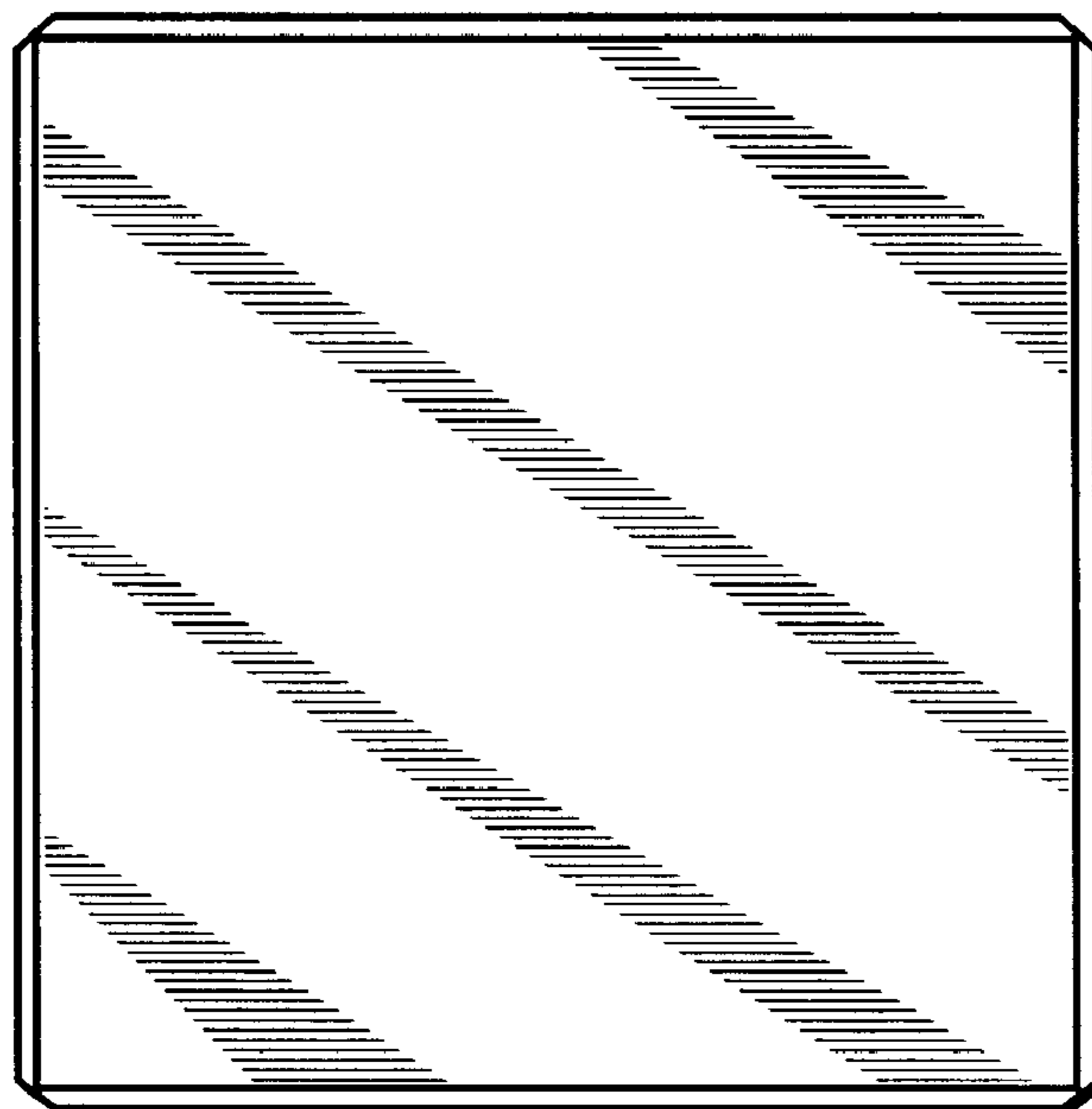


FIG. 7

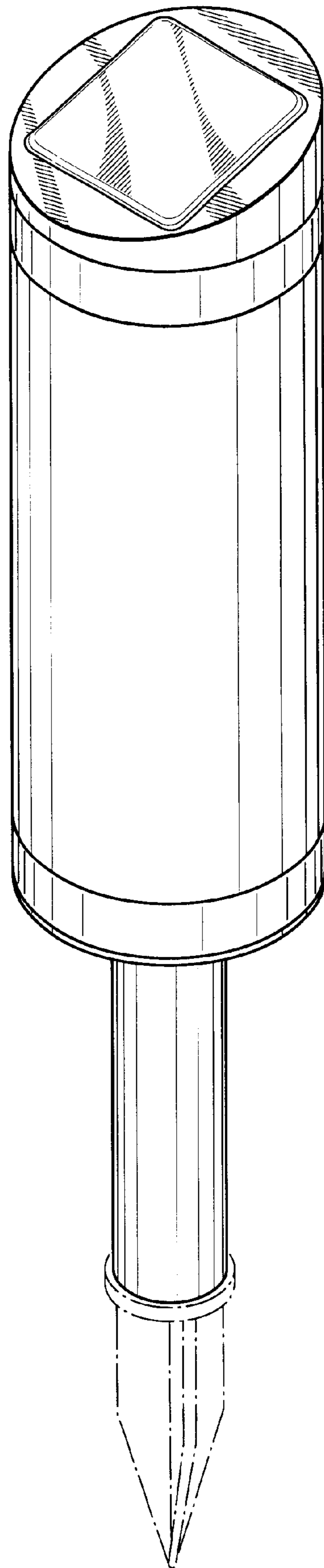
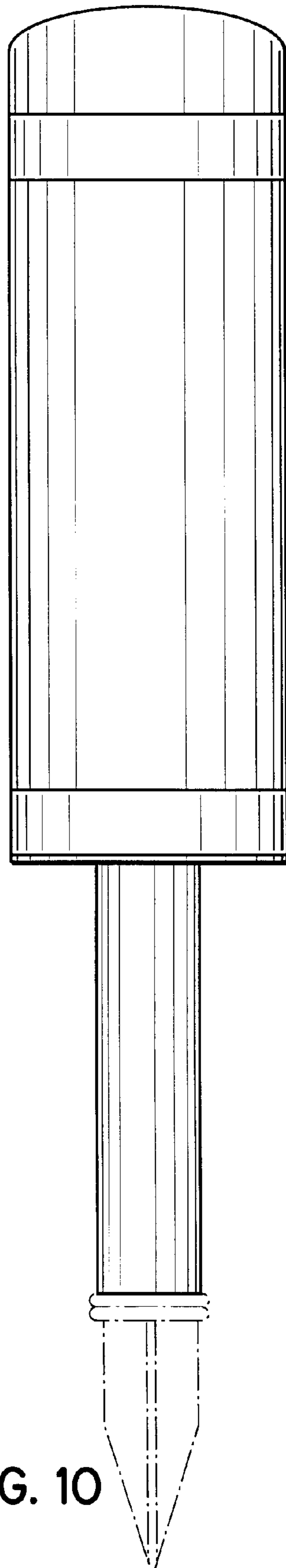
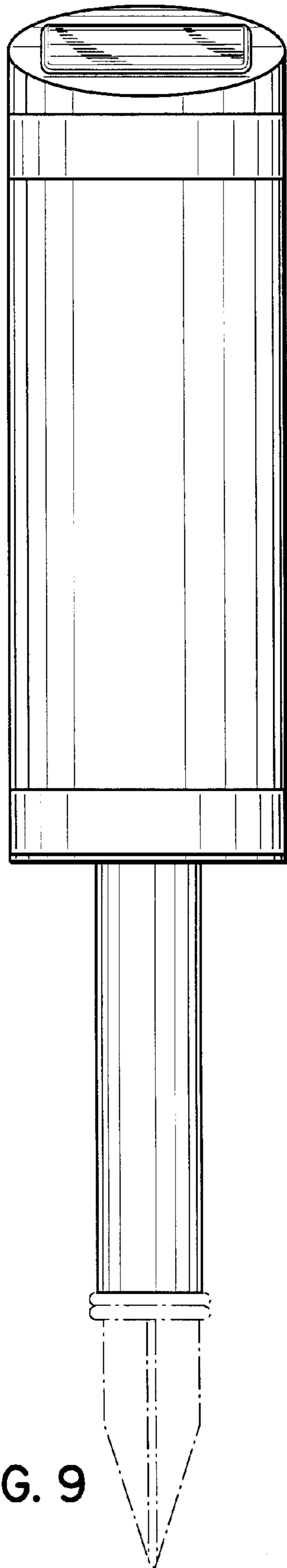
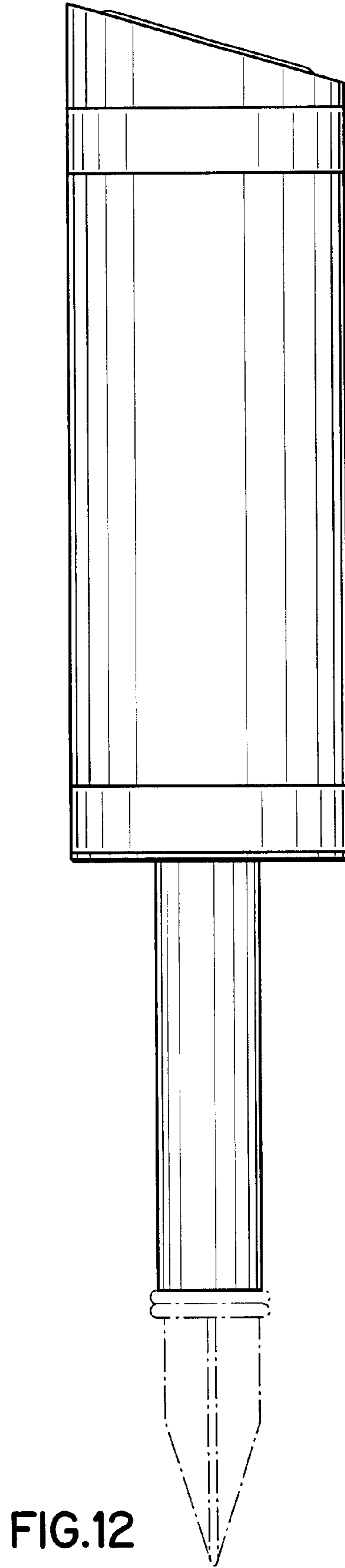
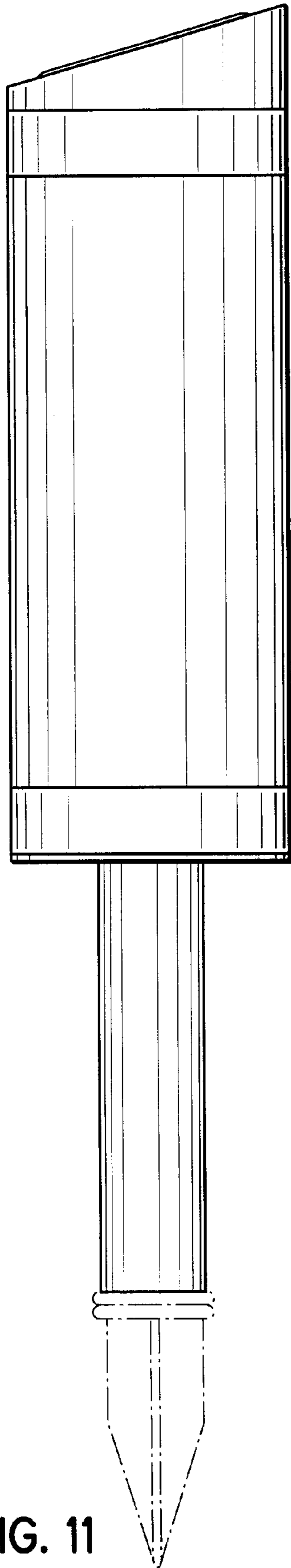


FIG. 8





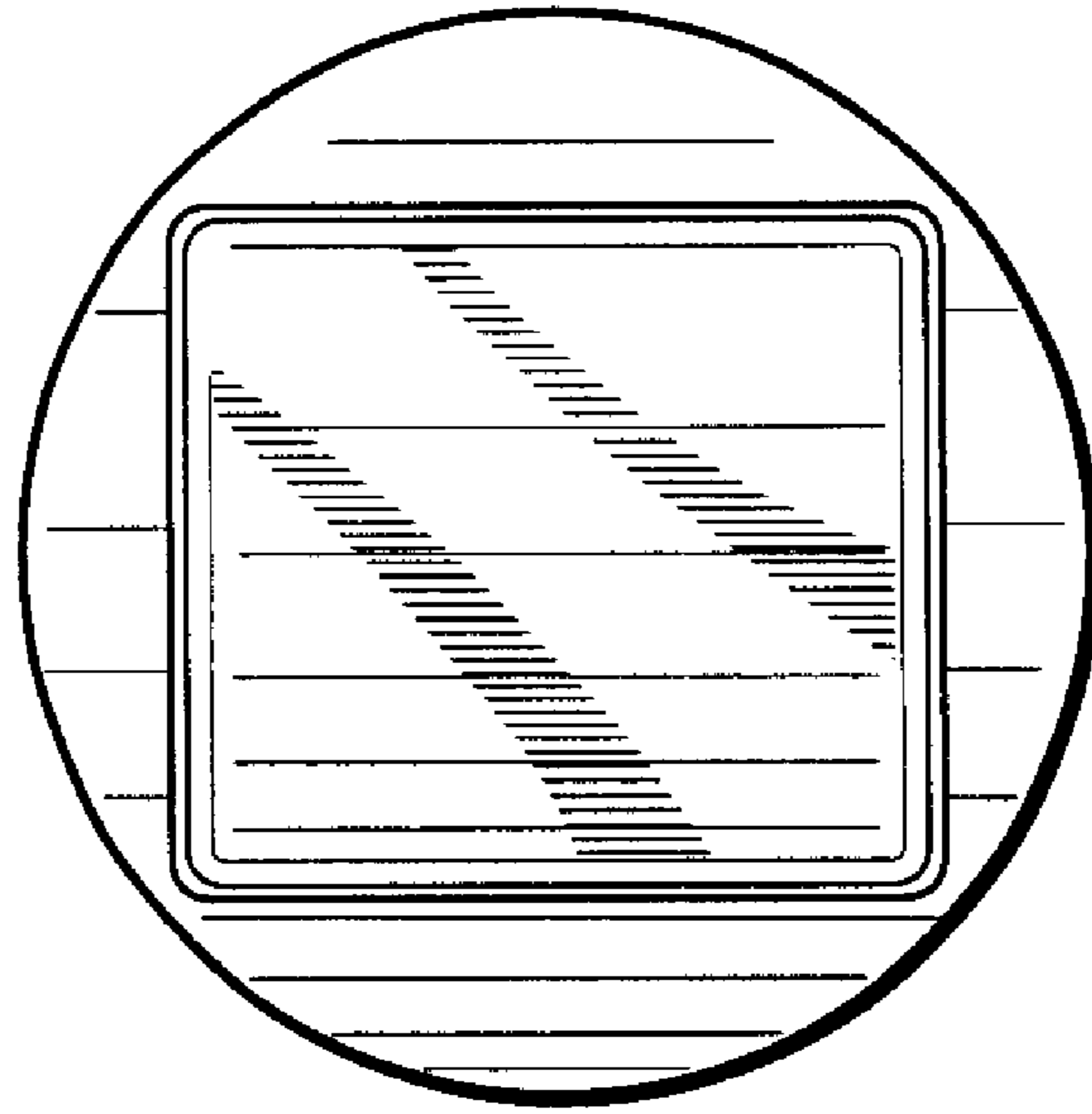


FIG. 13

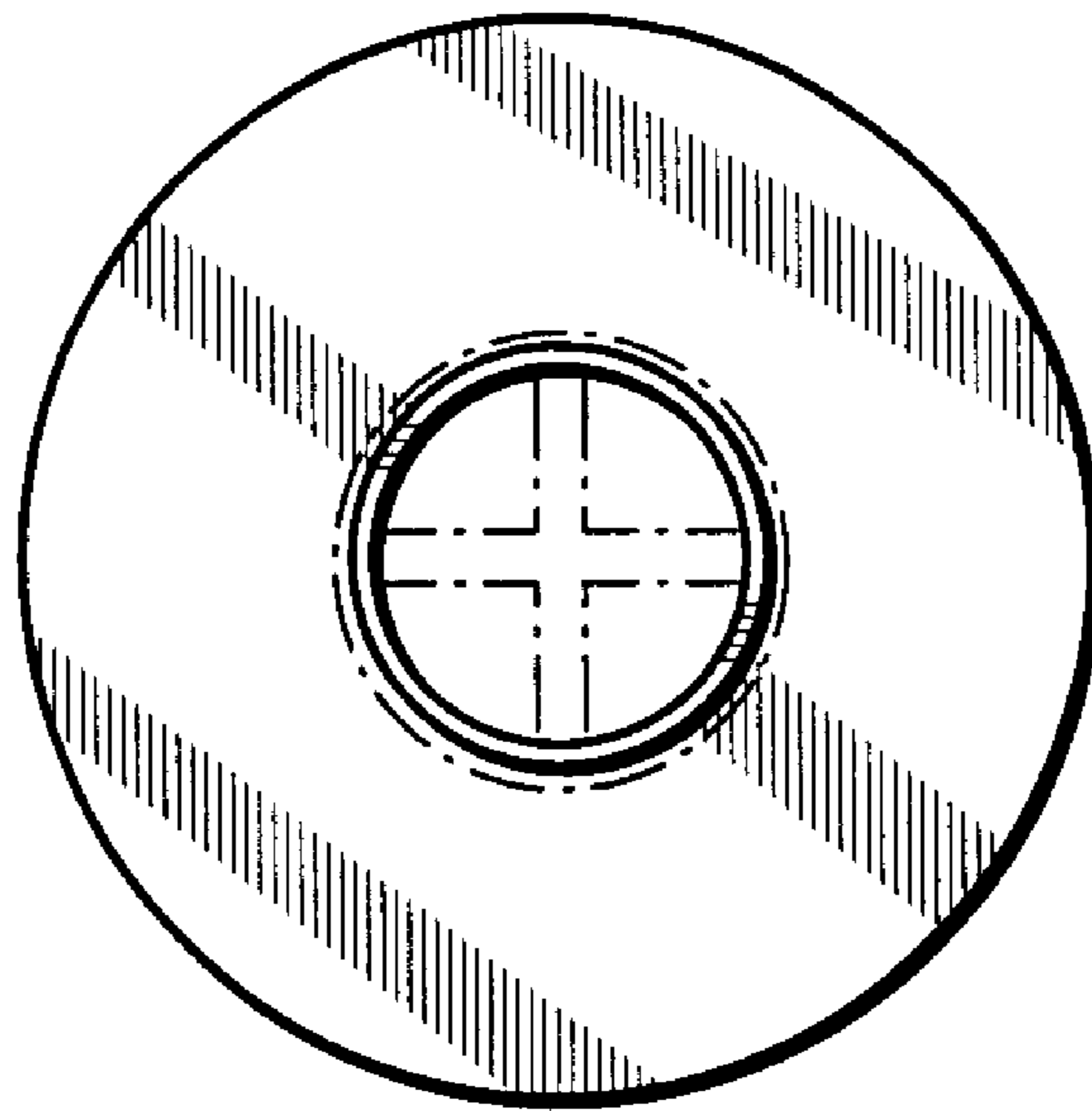


FIG. 14